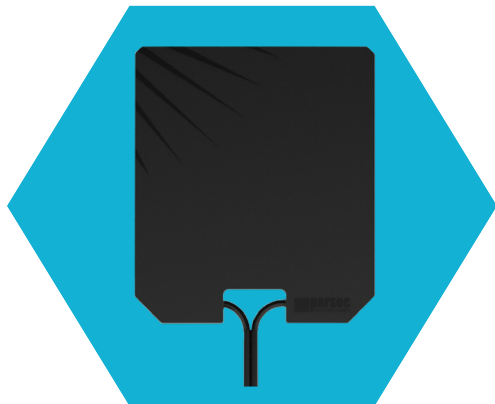




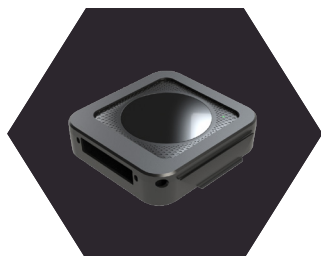
Ideal for

- Work From Home
- Fixed Wireless
- Home Network
- Remote Learning K-12
- Remote Monitoring



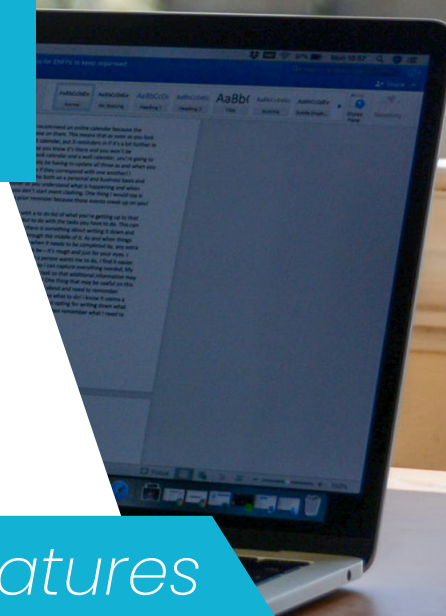
Falcon Antenna

+ MOUNTABLE CASE FOR NIGHTHAWK® M1 & NIGHTHAWK M5 MOBILE ROUTERS BY NETGEAR



Features

- Window Mount
- Wall Mount
- Countertop Stand
- Lightweight
- MIMO LTE
- 617MHz - 6Ghz



Product Description

Parsec's new Falcon is a thin, lightweight antenna designed to boost upload and download speeds when paired with a NETGEAR® Nighthawk® M1 or Nighthawk M5 mobile router. Fix the Falcon via window mount, wall mount or countertop stand options. A mountable case for compatible router or hotspot is included.

Falcon antenna was created to make working from home a breeze. The extended range keeps you connected through the day so you can focus on work or school. Detailed product information and options are available under NDA.

Parsec's Falcon is compatible with the following NETGEAR router and hotspot devices:

- MR1100 Nighthawk LTE Mobile Hotspot Router
- MR5100 Nighthawk 5G Mobile Hotspot Pro
- MR5200 Nighthawk M5 5G WiFi 6 Mobile Router

Included in the box:

- Falcon antenna with 6ft cables
- Mountable case for Nighthawk M1 and Nighthawk M5 mobile routers by NETGEAR
- Wall mounting hardware for Falcon
- 2 suction cups for window mounting

Patent pending.



**Click for more info
on Nighthawk mobile
routers by NETGEAR**

LTE Frequency Range

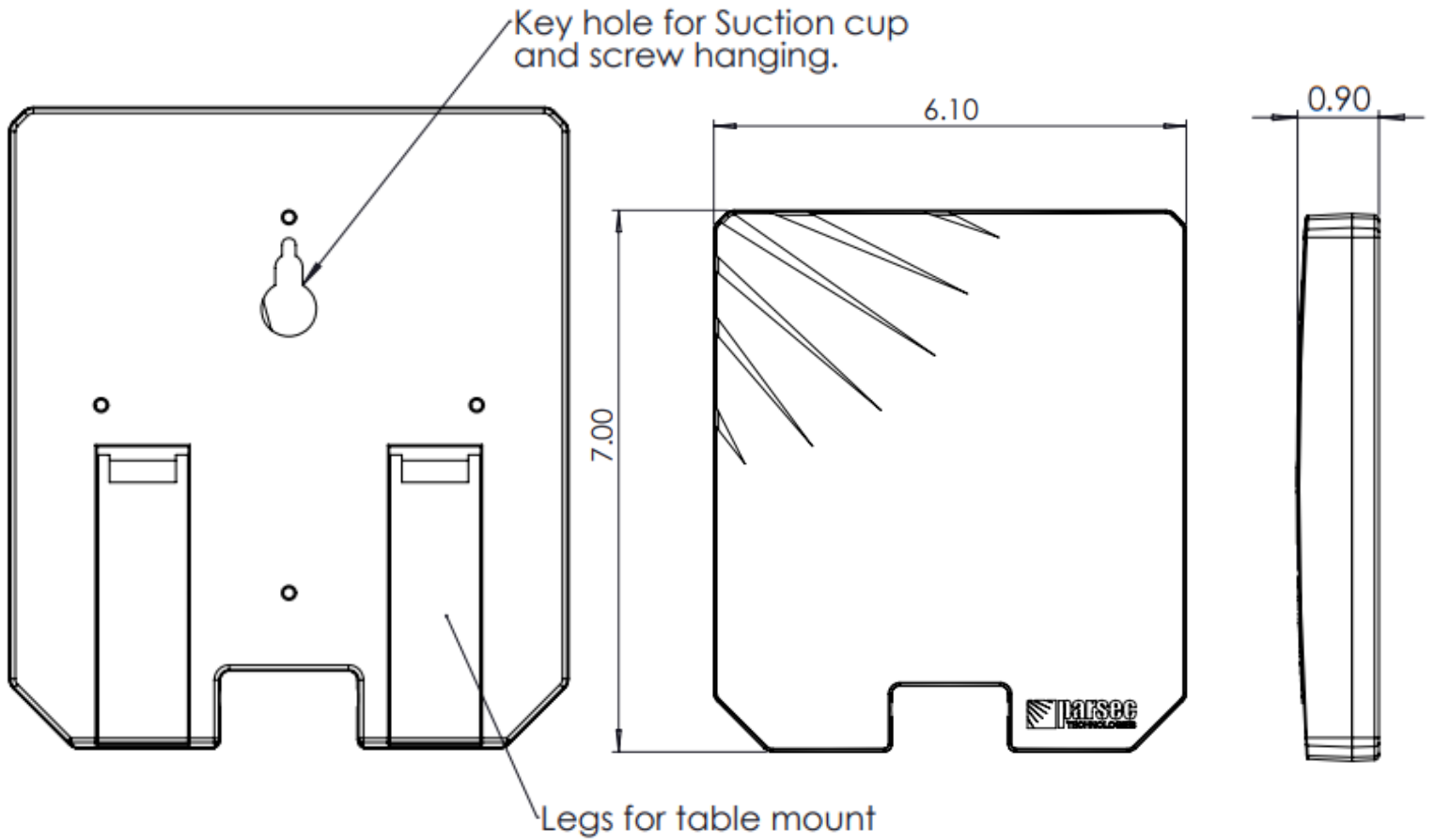
- 617 - 6000 MHz

Specifications

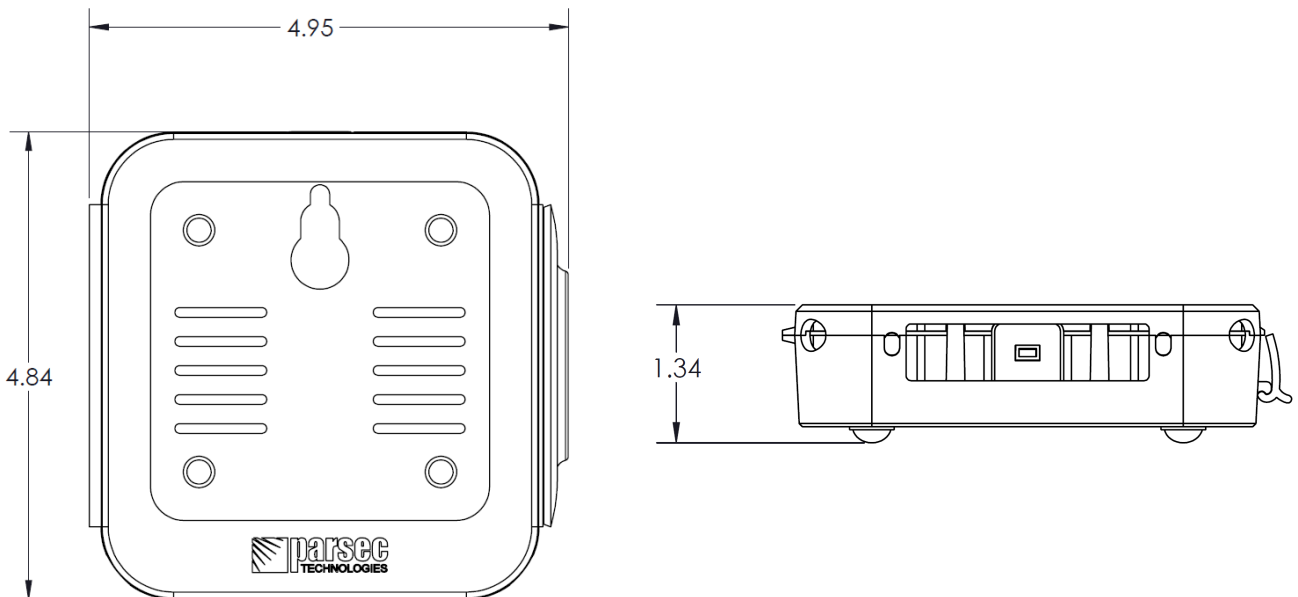
Mechanical	
Dimensions	6.10 in. W x 7.0 in. H x 0.9 in. D
Mounting	Built in legs, screw mount, or suction cups for window mounting.
RF Cable Length	6ft
Environmental	
Operating Temperature	-40°C to 85°C
Ingress Protection	Indoor

Product Dimensions

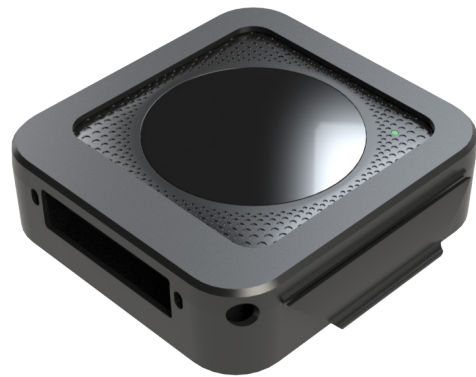
Falcon:



Router Case:



Product Images



Mountable case with
Nighthawk® mobile
router by NETGEAR®
(router not included)

Electrical Specifications

ID	Port	Parameters	Units	Typ.
Radiated Efficiency	LTE -1,2	617 - 894 MHz	%	70
	LTE -1,2	1710 - 2700 MHz		60
	LTE -1,2	3400 - 4000 MHz		50
	LTE -1,2	5150 - 5925 MHz		50
Peak Gain	LTE -1,2	617 - 894 MHz	dBi	2.5
	LTE -1,2	1710 - 2700 MHz		2
	LTE -1,2	3400 - 4000 MHz		4
	LTE -1,2	5150 - 5925 MHz		4
Return Loss (50 Ω)	LTE -1,2	617 - 894 MHz	dB	6
	LTE -1,2	1710 - 2700 MHz		6
	LTE -1,2	3400 - 4000 MHz		5
	LTE -1,2	5150 - 5925 MHz		9
Isolation	LTE -1,2	617 - 894 MHz	dB	10
	LTE -1,2	1710 - 2700 MHz		10
	LTE -1,2	3400 - 4000 MHz		20
	LTE -1,2	5150 - 5925 MHz		20
Polarization	LTE			Linear
Max Input Power	LTE		Watts	5
RF Connector	LTE	6 ft. Cable		TS9
RF Cable Type	LTE			ALSR200-UF

Ordering

Standard Antenna Part Numbers

Configurations	Part Number	Description
2:1	PTA2F2L06B-NG	2 LTE, 6ft Cable, Black



Parsec Technologies
 972-804-4600
 support@parsec-t.com