

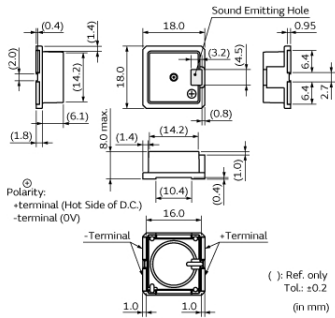
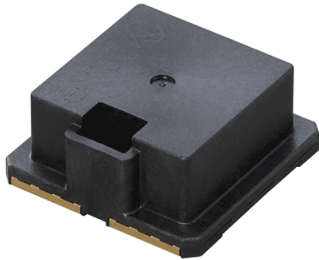
PKMCS1818E20A0-R1

In Production

RoHS

REACH

Appearance & Shape



Features

Taking advantage of extensive acoustic and mechanical design technology and high performance ceramics, Murata has developed High Sound Pressure Level SMD piezoelectric sounder that is suitable for the burglar alarm and notification sound on the equipments inside vehicles. It helps the thin, high-density design of electronic equipment.

Features

1. High sound pressure level and clear sound
2. Available for a wide temperature range(-40 ~ +105°C).
3. Reflowable
4. Tape & Reel supply

Applications

Automotive Usage	Infotainment
Other Usage	Automotive/Industrial

Packaging Information

Packaging	Specifications	Standard Packing Quantity
-R1	330mm Embossed Tape	250

Attention

1. This datasheet is downloaded from the website of Murata Manufacturing Co., Ltd. Therefore, its specifications are subject to change or our products in it may be discontinued without advance notice. Please check with our sales representatives or product engineers before ordering.
2. This datasheet has only typical specifications because there is no space for detailed specifications. Therefore, please review our product specifications or consult the approval sheet for product specifications before ordering.

PKMCS1818E20A0-R1



Specifications

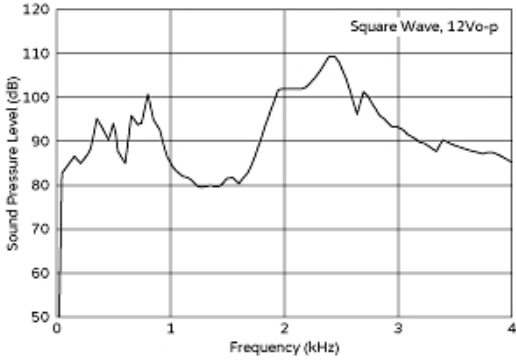
Oscillation circuits	Not built-in
Size	18.0×18.0×8.0 mm
Frequency	2.0kHz
Sound Pressure Level	100dB (typ.)
Sound Pressure Level	90dB (min.)
Measure Condition of Sound Pressure Level	[12Vo-p,2.0kHz,square wave, 10cm]
Maximum input voltage	18.0Vo-p [with polarity]
Operating Temperature Range	-40°C to 105°C
Storage Temperature Range	-40°C to 105°C
Shape	SMD
Drive Type	External Drive
Mass	950mg

Attention

- 1.This datasheet is downloaded from the website of Murata Manufacturing Co., Ltd. Therefore, it's specifications are subject to change or our products in it may be discontinued without advance notice. Please check with our sales representatives or product engineers before ordering.
- 2.This datasheet has only typical specifications because there is no space for detailed specifications. Therefore, please review our product specifications or consult the approval sheet for product specifications before ordering.

PKMCS1818E20A0-R1

Product Data



Frequency Response

Attention

- 1.This datasheet is downloaded from the website of Murata Manufacturing Co., Ltd. Therefore, it's specifications are subject to change or our products in it may be discontinued without advance notice. Please check with our sales representatives or product engineers before ordering.
- 2.This datasheet has only typical specifications because there is no space for detailed specifications.
Therefore, please review our product specifications or consult the approval sheet for product specifications before ordering.