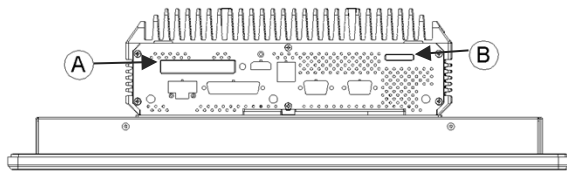




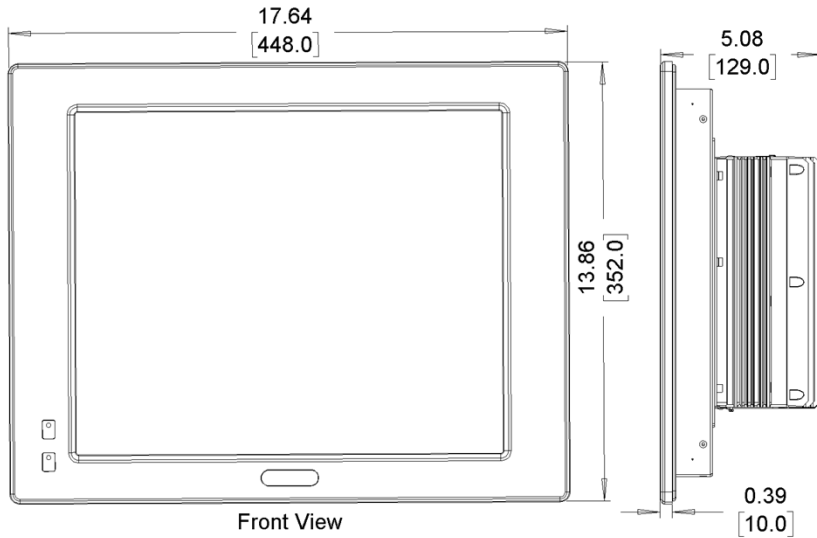
17" Fanless Industrial Panel PC with Intel® Core™ i3-7101TE/i5-7500T/i7-7700T Processor

- Choose Your Intel® Processor, Memory, and Storage
- Windows® 10 IoT Enterprise OS Standard
- Wi-Fi Option Available
- Panel or VESA mount
- Integrate with Indusoft's Web Studio®

System	CPU	Intel® Dual Core™ : i3-7101TE @ 3.4GHz Intel® Quad Core™ : i5-7500T @ 2.7GHz i7-7700T @ 2.9GHz
	System Chipset	Intel Q170 Chipset
	System Memory Options	2 x DDR4 260-pin SO-DIMM Non-ECC RAM slots (8, 16, 32 GB total)
I/O Ports	USB	4 x USB 3.0 type A
	Serial	2 x RS-232/422/485 DE-9P, COM1/COM2 (default RS-232) 2 x RS-232 DE-9P, COM3/COM4S
	Audio	1 x 3.5 mm Line-in 1 x 3.5 mm Line-out 1 x 3.5 mm Mic-in
	Digital I/O	1x DB25S, 8 in/8 out
	LAN	2 x GbE RJ-45
	Display Interface	1 x DVI-I port (max. 1920 x 1080 pixels)
	Power	3-pin connector header, DC power input
	Power Switch	Momentary Toggle
	Remote Power Switch*	2-pin wire-to-wire connector (2.5mm pitch)
	Solid State Drive Options**	1 x 2.5" SATA III, MLC (64, 128, 256, 512 GB SSD)
Storage	SD Card Slot	N/A
	CFast Card Slot	Yes
Expansion	Internal Expansion	Optional Wi-Fi kit (Wi-Fi card and antenna)
	Expansion Slot	N/A
Touch Screen	Type	5-Wire Resistive Touch
	Interface	USB
Display	Display Type	17" TFT SXGA LCD
	Size (W x H)	13.50 x 10.75 inches [343 x 273 mm]
	Resolution (pixels)	1280 x 1024
	Max. Colors	16.7M
	Luminance (cd/m²)	400
	Viewing Angle (H°/V°)	160/160
	Contrast Ratio	600:1
	Backlight Lifetime (Hours)	50,000
Electrical	Input Voltage	9~36 VDC
	Input Current	Typ. 2.5A @ 24VDC; Max 6A @ 24VDC
	Input Power	Typ. 60 W; Max. 144 W
Mechanical	Dimensions (W x H x D)	17.64 x 13.86 x 5.08 inches [448 x 352 x 129mm]
	Net Weight	Approx. 17.42 lbs. [7.9kg]
	Panel Cutout Dimensions (W x H)	15.98 x 12.20 inches [406 x 310 mm]
	Mounting	Panel mounting, VESA 100 x 100
	Construction	Black Steel Chassis, Aluminum Heatsink
Environmental	Operating Temperature	32~113°F [0~45°C]
	Storage Temperature	-4~176°F [-20~80°C]
	Relative Humidity	20 to 90% @ 40°C, non-condensing
	Rating	NEMA4, IP65 compliant front panel
	Certifications	CE / FCC Class A / RoHS
Operating System	Microsoft Windows® Options	Microsoft Windows® 10 IoT Enterprise Embedded 2019 LTSC 64-bit (EPKEA) Microsoft Windows® 10 IoT Enterprise 2019 LTSC 64-bit (PKEA)
Notes	<p>* Maple Systems offers a 6' remote power switch cable (P/N: 7431-0127); contact Maple Systems to purchase.</p> <p>** Additional SSD options available; contact Maple Systems for details.</p>	
Specifications subject to change without notice.		



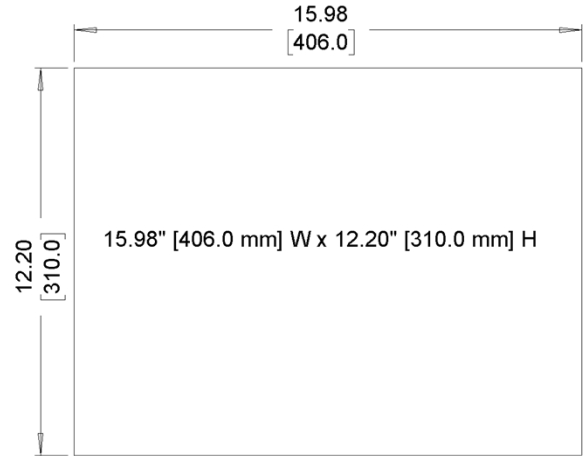
Top View



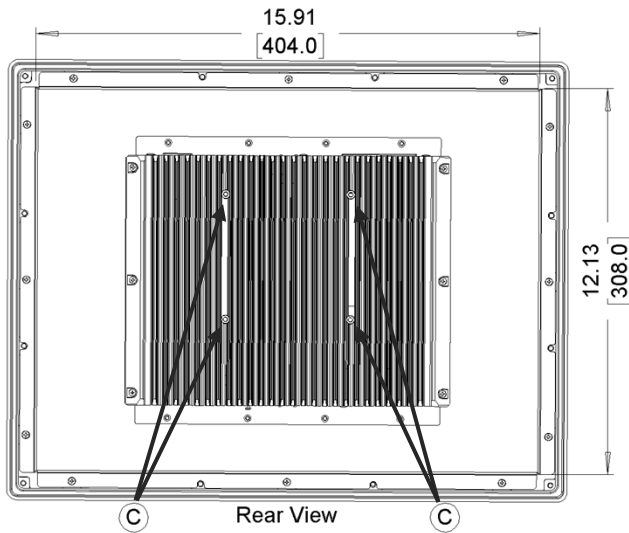
Front View

Side View

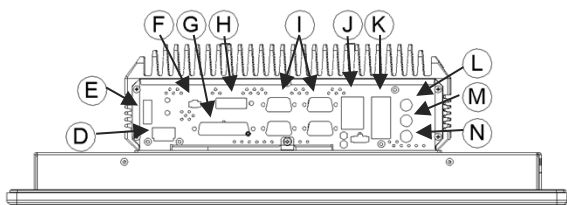
Dimensions are in inches [mm]



Cutout Dimensions



Rear View



Bottom View

- | | |
|---------------------------------|--------------------------|
| A CFast Card Slot | H DVI-I Output Port |
| B SIM Card Slot | I COM Ports DE9P |
| C VESA 100mm Screw Holes | J Gigabit Ethernet Ports |
| D Power Connector | K USB 3.0 Host Ports |
| E Power Switch | L 3.5mm Mic-In Port |
| F Remote Power Switch Connector | M 3.5mm Line-Out Port |
| G Digital I/O Port DB25S | N 3.5mm Line-In Port |