

Microfire LLC Mod-EVAL Board

Release Information

Copyright © 2021 Microfire LLC

This documentation is licensed under a [Creative Commons Attribution-NoDerivatives 4.0 International \(CC BY-ND\)](https://creativecommons.org/licenses/by-nd/4.0/).

Release History

| Release | Date | Description |
|---------|----------|-------------|
| 1.0.0 | 5/5/2021 | Initial |

Legal Disclaimer

TECHNICAL AND RELIABILITY DATA FOR MICROFIRE LLC PRODUCTS (INCLUDING DATASHEETS) AS MODIFIED FROM TIME TO TIME (“RESOURCES”) ARE PROVIDED BY MICROFIRE LLC "AS IS" AND ANY EXPRESS OR IMPLIED WARRANTIES, INCLUDING, BUT NOT LIMITED TO, THE IMPLIED WARRANTIES OF MERCHANTABILITY AND FITNESS FOR A PARTICULAR PURPOSE ARE DISCLAIMED. TO THE MAXIMUM EXTENT PERMITTED BY APPLICABLE LAW IN NO EVENT SHALL MICROFIRE LLC BE LIABLE FOR ANY DIRECT, INDIRECT, INCIDENTAL, SPECIAL, EXEMPLARY, OR CONSEQUENTIAL DAMAGES (INCLUDING, BUT NOT LIMITED TO, PROCUREMENT OF SUBSTITUTE GOODS OR SERVICES; LOSS OF USE, DATA, OR PROFITS; OR BUSINESS INTERRUPTION) HOWEVER CAUSED AND ON ANY THEORY OF LIABILITY, WHETHER IN CONTRACT, STRICT LIABILITY, OR TORT (INCLUDING NEGLIGENCE OR OTHERWISE) ARISING IN ANY WAY OUT OF THE USE OF THE RESOURCES, EVEN IF ADVISED OF THE POSSIBILITY OF SUCH DAMAGE.

MICROFIRE LLC reserves the right to make any enhancements, improvements, corrections or any other modifications to the RESOURCES or any products described in them at any time and without further notice.

The RESOURCES are intended for skilled users with suitable levels of design knowledge. Users are solely responsible for their selection and use of the RESOURCES and any application of the products described in them. User agrees to indemnify and hold MICROFIRE LLC harmless against all liabilities, costs, damages or other losses arising out of their use of the RESOURCES.

HIGH RISK ACTIVITIES. MICROFIRE LLC products are not designed, manufactured or intended for use in hazardous environments requiring fail safe performance, such as in the operation of nuclear facilities, aircraft navigation or communication systems, air traffic control, weapons systems or safety-critical applications (including life support systems and other medical devices), in which the failure of the products could lead directly to death, personal injury or severe physical or environmental damage, or business loss (“High Risk Activities”). MICROFIRE LLC specifically disclaims any express or implied warranty of fitness for High Risk Activities and accepts no liability for use or inclusions of MICROFIRE LLC products in High Risk Activities.

Microfire LLC Mod-EVAL Board

[Release Information](#)

[Release History](#)

[Legal Disclaimer](#)

Description

[Features:](#)

Precautions

[Mixing Interfaces](#)

[Voltage Levels](#)

[Isolation](#)

Requirements

Connections

[I2C](#)

[UART](#)

[USB](#)

[Probe](#)

[1-Wire DS18B20 Waterproof Temperature Sensor](#)

[Module](#)

Software

[Arduino](#)

[Raspberry Pi](#)

[I2C Bus](#)

The Shell Example

Certificate of Compliance

[RoHS 3 Directive 2015/863/EU](#)

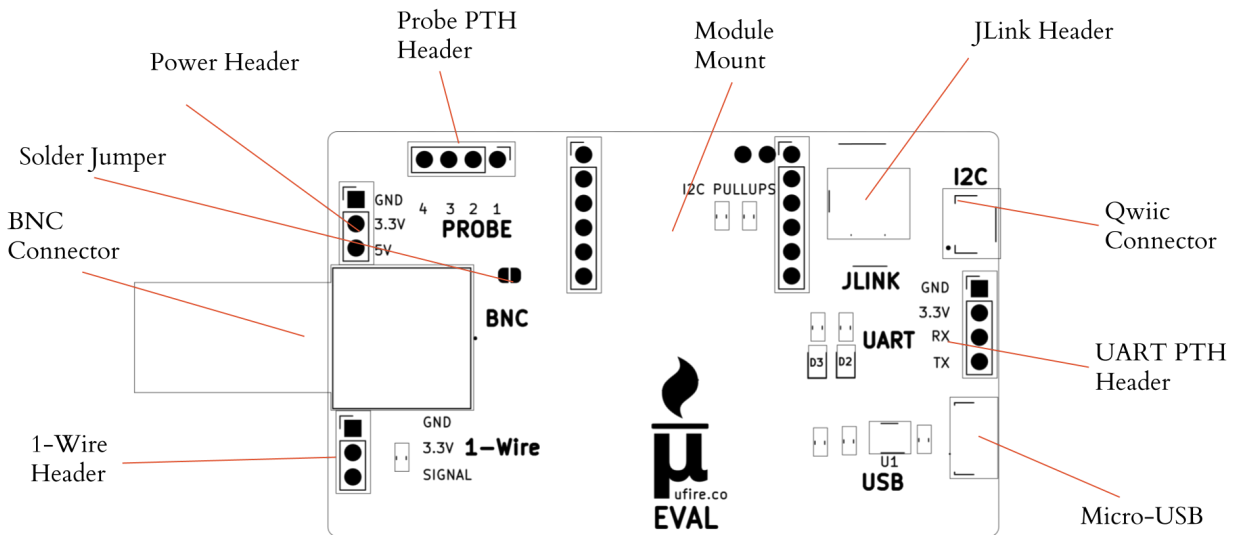
[Justin Decker](#)

Description

The Mod-EVAL board breaks out all the interfaces of Microfire’s sensor modules. This is the best way to prototype sensor modules into a larger hardware application.

Features:

- Access to all interfaces
 - I2C with 4k7 pullup resistors
 - USB with 5v to 3.3v regulator and Micro-USB connector
 - UART with activity-indicator LEDs
 - Probe Connections:
 - BNC using PROBE_1 and PROBE_2 pins of the sensor module
 - All 4 pins broken out
 - GND, 3.3 and 5 volt power header for additional power options



Precautions

Mixing Interfaces

It is generally recommended to not use all the available interfaces. For instance, using I2C and the UART connection will result in slightly different measurements from each interface. This is due to the particularities of implementing them on the module's firmware. All functionality is available from each interface.

Voltage Levels

Ensure the voltage levels for all interfaces remain at or below 3.3 volts (3.6 absolute max). There is no voltage polarity or over-voltage protection onboard.

For the USB interface, the board can be powered and used with USB because there is a 5 volt to 3.3 volt regulator onboard. The Power Header cannot provide 5 volts unless the USB cable is plugged into the board.

Isolation

This board does not provide any isolation. Isolation is available through a Mod-ISO module and can be prototyped using a Mod-ISO_EVAL board, or through custom hardware. It is important to remember that connecting an isolated ground isn't global ground, nor is isolated power the same as a global power supply. They cannot be interconnected.

Additionally, for many sensors (pH, ORP, EC), isolation is almost always required for reliable measurements.

Requirements

1. Mod-EVAL Board
2. An Arduino MCU or Raspberry Pi Zero/3/4
3. Qwiic wires if the Qwiic connectors will be used *-or-* 4 point-to-point wires to use the UART PTH header *-or-* a Micro-USB cable for the USB interface.
4. Probe

Optional Components:

1. DS18B20 waterproof temperature sensor
2. Mod-ISO for isolation

Connections

Decide which interface to use and make the appropriate connections.

I2C

| Controller | Isolated Qwiic Dev Board |
|------------|--------------------------|
| GND | GND |
| 3.3 volts | VIN |
| SDA | SDA |
| SCL | SCL |

UART

| Controller | Isolated Qwiic Dev Board |
|------------|--------------------------|
| GND | GND |
| 3.3 volts | VIN |
| RX | TX |
| TX | RX |

To use this interface with a computer, an appropriate USB-UART converter operating at 3.3 volts will be needed.

USB

Connect a 4-wire micro-USB wire into the board and connect the other end to any standard USB-compliant device.

Probe

There are two options for connecting a probe

1. The BNC connector makes use of **PROBE_1** and **PROBE_2**. Use it for EC, pH, or ORP probes.

- 2. The Probe PTH Header gives access to the 4 probe pins on the modules.
 - a. Some modules use **PROBE_4** to provide access to the 1-Wire interface. If the module uses **PROBE_4** for something else, the solder jumper must have the small trace between the two pads disconnected.

1-Wire DS18B20 Waterproof Temperature Sensor

| 1-Wire DS18B20 | Mod-EVAL Board |
|----------------|----------------|
| BLK | GND |
| RED | VIN |
| YELLOW | SIG |

Module

The module can be mounted to the board several ways. Pogo-like pins can optionally be used in conjunction with a clamp to press the module down. Simple pins can also be soldered to the board and the module can be slid down onto the pins.

Software

The Mod-EVAL is just a carrier board for the sensor modules and doesn't have any software requirements of its own. To use the module, install the module's library.

Arduino

All the required libraries can be installed through the Arduino IDE or PlatformIO library manager. Search for `Microfire` and all the available libraries will be in the results list. Install them as needed. Examples are included.

Raspberry Pi

Links to the Python libraries for Raspberry Pi can be found on the sensor's [individual pages](#).

I2C Bus

The I2C system in Raspberry Pi OS is slightly different from an MCU. In an MCU, the I2C system is accessed by connecting the appropriate lines, SDA and SCL. In Raspberry Pi OS, there are also SCL and SDA pins which need to be properly connected, but the pins aren't how the I2C system is referenced in software.

Each set of SDA and SCL pins is given a bus number and treated as a file; they are listed in `/dev/i2c-#` where # is the bus number. By default, Raspberry Pi OS has the I2C system turned off. [Follow their directions](#) to enable the I2C system.

All the examples assume `i2c-1`. The pins for `i2c-1` SDA are **GPIO2** and SCL is **GPIO3**. [A pinout diagram can be found here](#).

The *Shell* Example

Every library comes with a *Shell* example which allows for a command-line like interface to all the module's features.

Each example is slightly different according to the sensor, but there are some similarities between each version.

Typing:

- *config*: display all calibration and system information
- *reset*: revert all calibration data to default values
- *temp*: take a temperature measurement using the attached DS18B20 sensor
- *low/mid/high/sin*: calibrate the sensor at the low, mid, high or single points
- *i2c*: change the I2C address of the module



Microfire LLC

Justin Decker, CEO
61190 Deronda Ave
Whitewater, CA 92282
<https://ufire.co>
justin@ufire.co

17 May 2021

Certificate of Compliance

RoHS 3 Directive 2015/863/EU

Microfire LLC certifies to the best of its knowledge and belief, that the products listed herein conform with RoHS 3 Directive 2015/863/EU and its subsequent amendments. This declaration further certifies that Microfire LLC has obtained RoHS Certificates of Compliance from each applicable supplier of materials and parts used in the assembly and manufacture of these goods.

Modules

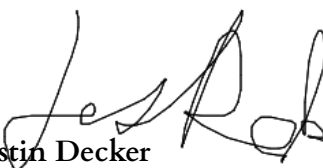
Mod-EC
Mod-pH
Mod-ORP
Mod-ISO_I2C_UART

Development Boards

Isolated Qwiic Dev Board
Mod-EVAL
Mod-EVAL_ISO

Probes

Industrial pH Probe
Industrial EC Probe
Industrial ORP Probe
Lab pH Probe
Lab EC Probe
Lab ORP Probe



Justin Decker

