

GEMALTO M2M

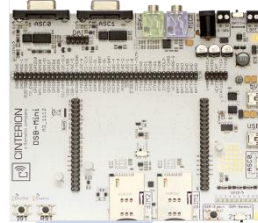
Accessories Overview

Product Marketing

Sep 2015

Developing with Cinterion Wireless Modules is easier than ever!

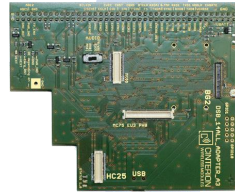
DSB-mini
The cost-effective
DSB75 alternative



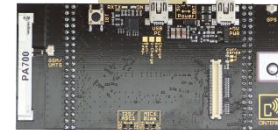
DSB75
Fully-fledged
development board



Adapter Boards
Combines with the
module of your choice



Starter Kits
Developing within
minutes



Evaluation Boards
Cinterion SMT modules
available on B2B format



DSB75

All-round development board

DSB75 is designed to support system integrators in developing and evaluating products based on Cinterion Wireless Modules. The DSB75 is compatible with all DSB-Adapter boards and the Multi-Adapter R1.



USB
3x Serial Ports
I2C and SPI
Digital and Analog Audio
SD Card Interface
SIM Interface (1.8/3.0V)

Antenna Interface
10x GPIOs accessible from pin header
ADC and DAC
23x LED indicator for control, RS232 and GPIO
All module signals accessible

DSB75



Part#: **L36880-N8811-A100**

Package Contents

- 1 DSB75 Development Support Board
- 1 MiniMag antenna (850 MHz – 1990 MHz)
- RF adapter cable 150mm (Hirose – Hirose)

Development Support Board with extensive feature set

INTERFACES

- USB
- 3x RS232 (data, control and debug)
- I²C (supports 3V or 5V devices)
- SPI
- Digital audio interface (DAI)
- 2x analog audio interface
- SD Card interface
- SIM Interface (1.8/3.0V)
- GPIO
- 2x ADC inputs + 1x DAC output
- 23x LEDs indicators for control, RS232 and GPIO

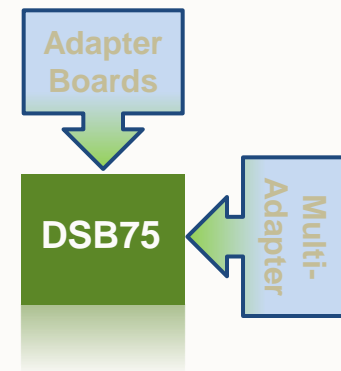
DIMENSIONS

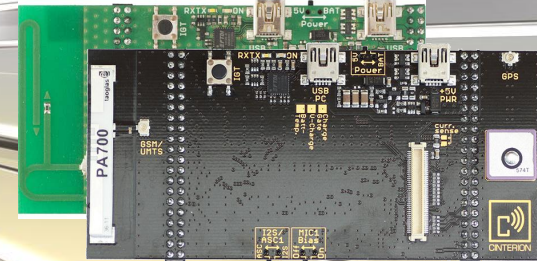
- 177 x 160 mm

ADDITIONAL FEATURES

- Analog audio interfaces supports microphone supply for handset, headset and speakerphone operation
- Connected EEPROM (128kbit) with adjustable addresses
- 10x GPIOs accessible at pin header
- Various power supply options: Battery or Laboratory PSU (9-15V)

COMPATIBILITY





Starter Kit

A perfect way to kick off your design

Simple environment which allows you to start developing within a few minutes. Includes on-board antennas. Compatible with most 80/60-pin B2B modules and evaluation boards.

Compatible with 80/60-pin Modules and Evaluation Boards

Fits on DSB-mini

USB connector

On-board LEDs

SIM card holder

Power supply through USB or DSB

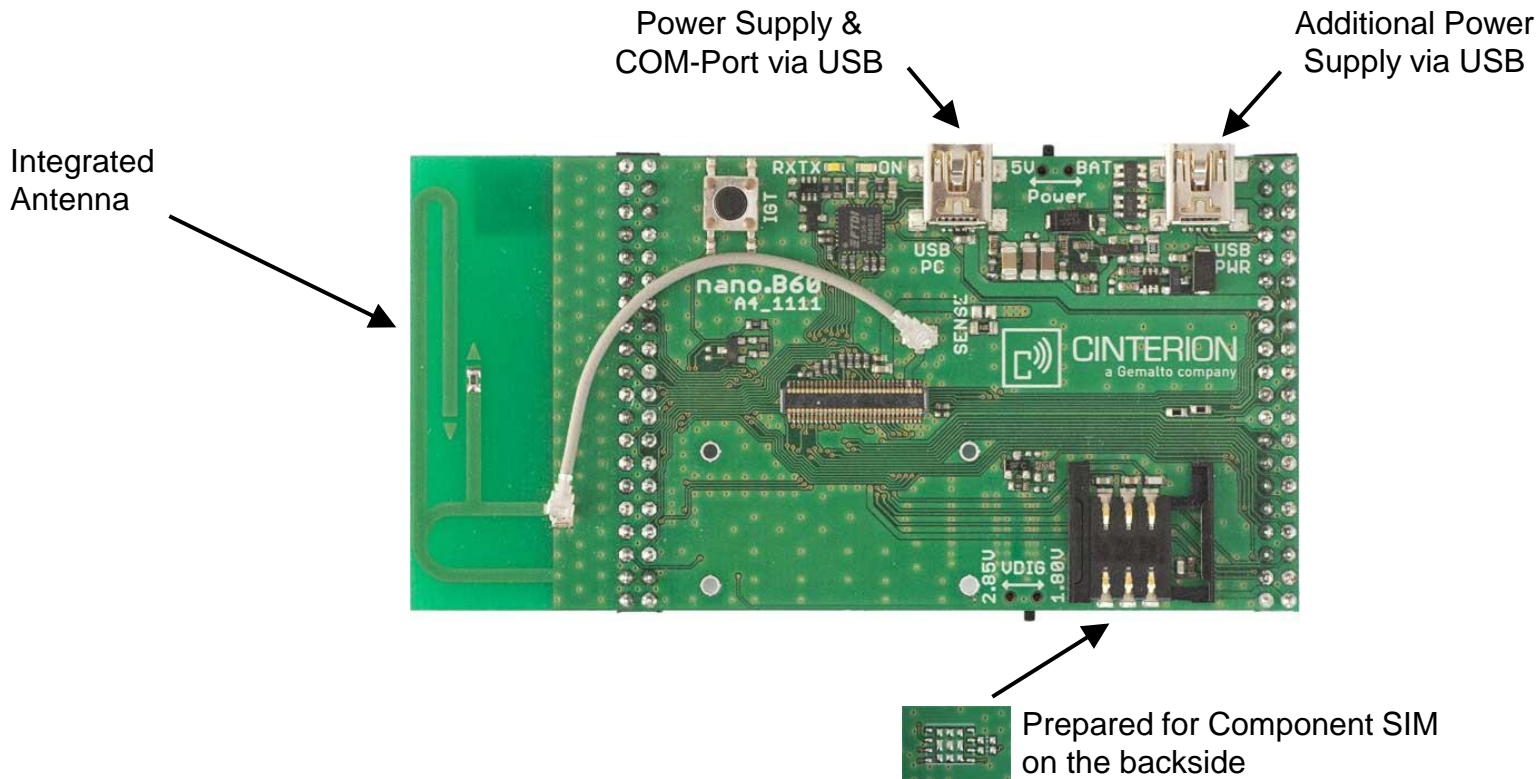
Prepared for component SIM

On-board septa-band cellular antenna (SK-B80)

On-board GPS antenna (SK-B80)

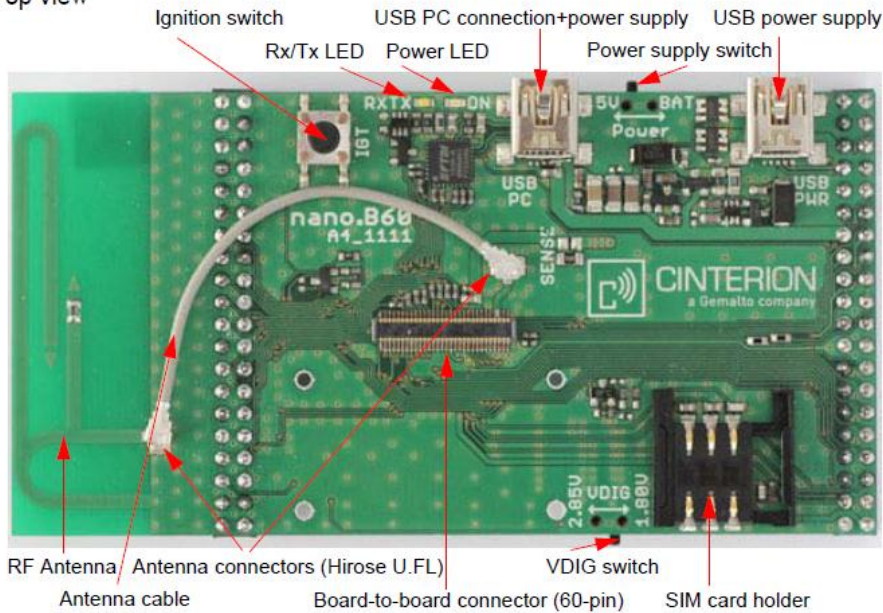
Starter Kit B60 L30960-N0020-A100

- Start operation right away without the need of additional equipment.
- Easy handling, like a Terminal without housing.
- Compatible with BG2 and BGS2 Rel1 EVAL
- SIM, COM, Power and Antenna on board.

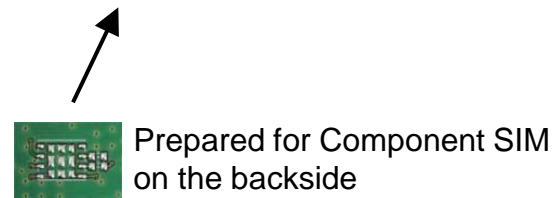
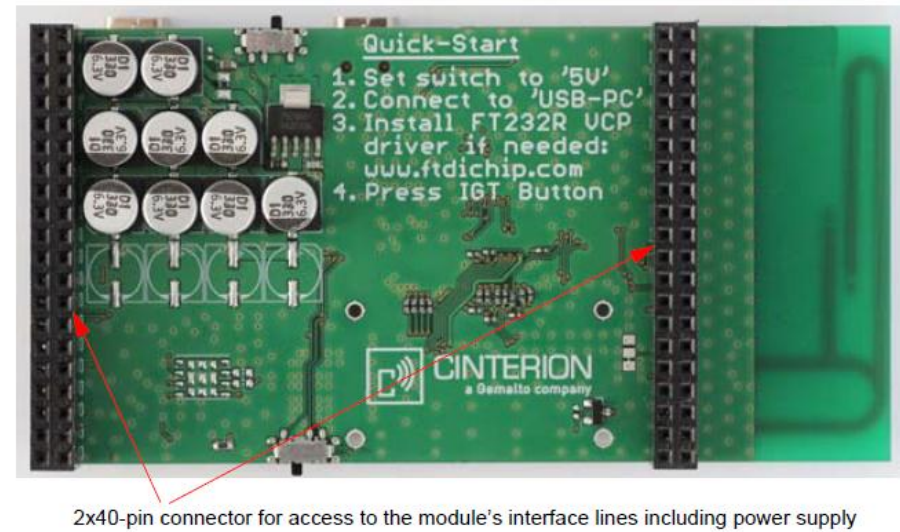


Starter Kit B60 L30960-N0020-A100

Top view

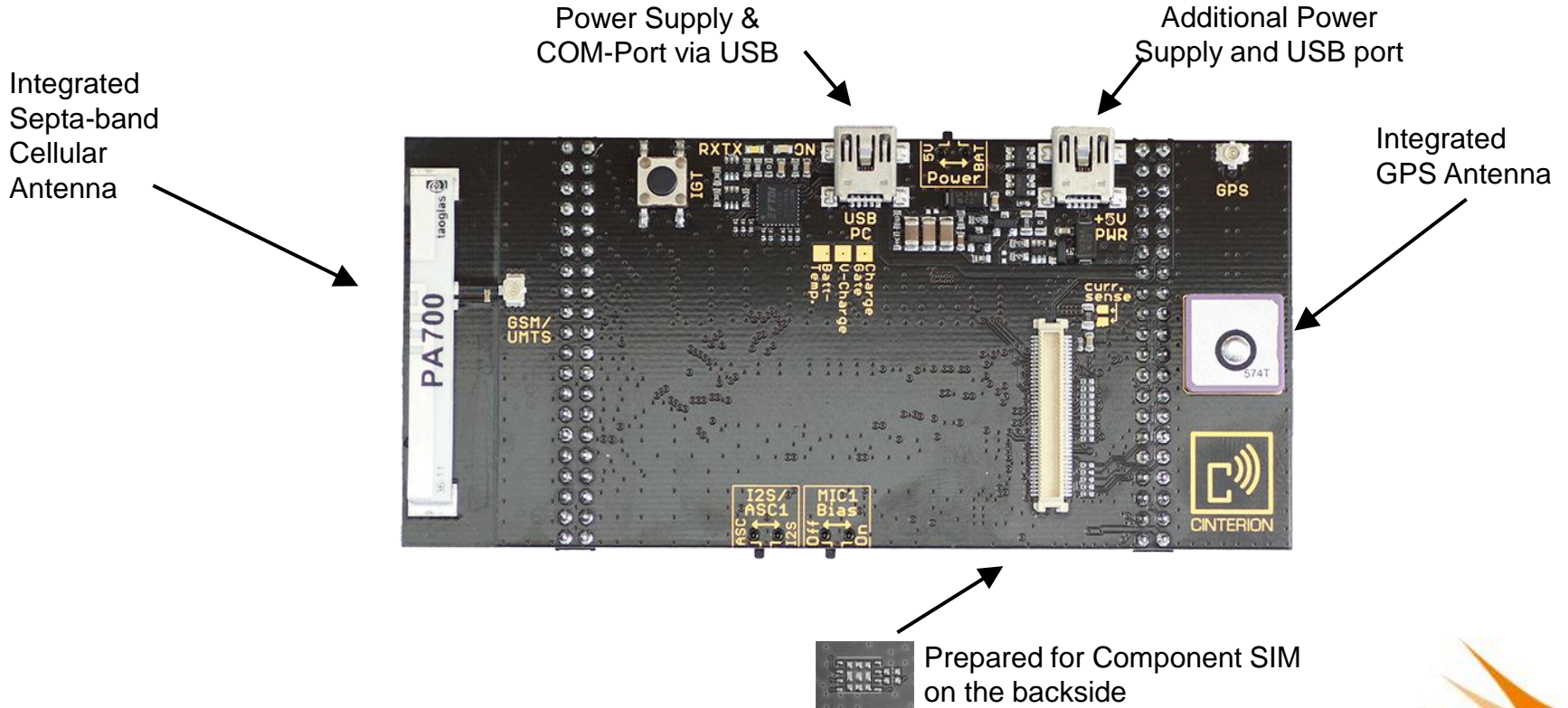


Bottom view

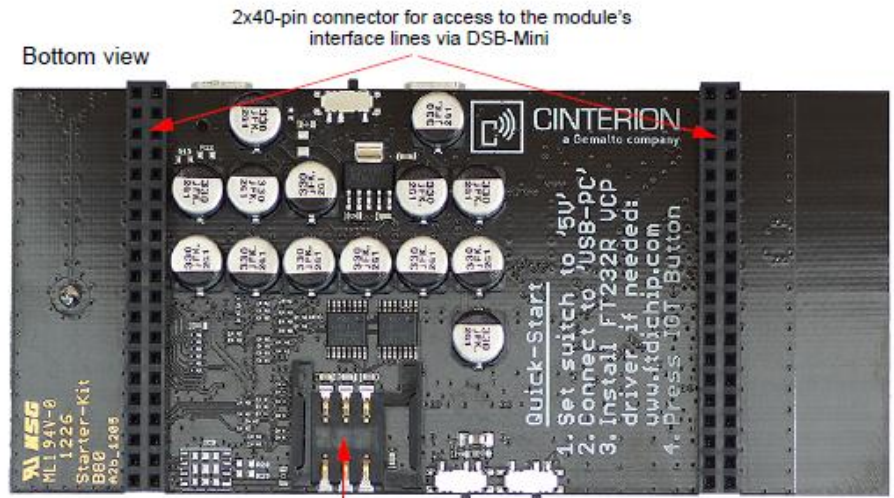
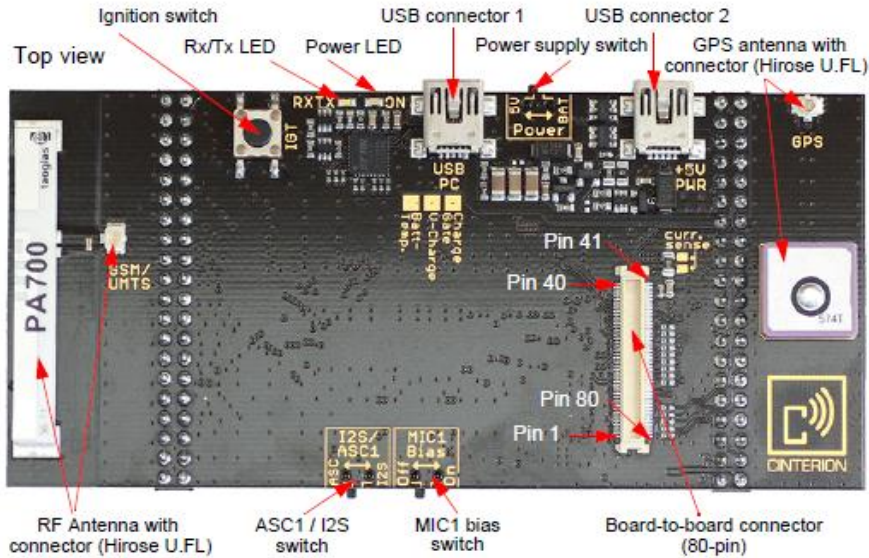


Starter Kit B80 L30960-N0040-A100

- Start operation right away without the need of additional equipment
- Easy handling, like a Terminal without housing
- Compatible with 80-pin B2B Cinterion modules and 80-pin evaluation modules
- SIM, USB, COM and high efficiency antennas (septa-band cellular and GPS) on board



Starter Kit B80 L30960-N0040-A100

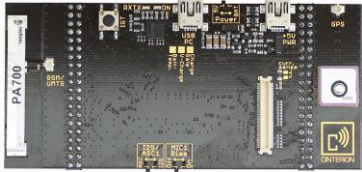


Prepared for Component SIM on the backside



Starter Kit B60/B80

Kick off your application design within minutes



Part#: **L30960-N0040-A100**
(SK-B80)

Part#: **L30960-N0020-A100**
(SK-B60)

Package Contents

- 1 Starter Kit B60/B80
- 1 mini-USB Y-cable (1m)
- 1 Hirose antenna cable 60mm (50 Ohm)
- 1 Hirose antenna cable 100mm (50 Ohm)

INTERFACES

- 2x40 header to DSB-mini
- Status LEDs (TX, RX)
- U.FL antenna connector for an optional external antenna
- 2x Mini-USB connector (ASC0, USB)
- SIM card holder
- Prepared for component SIM

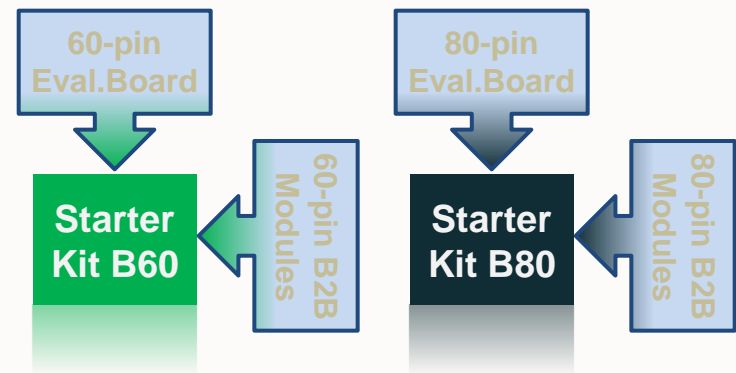
DIMENSIONS

- 100 x 50 mm (SK-B60)
- 110 x 50 mm (SK-B80)

ADDITIONAL FEATURES

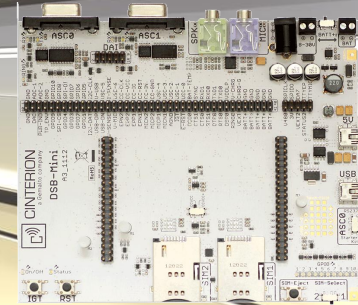
- Easy handling, like a Terminal without housing
- High efficiency antennas (septa-band cellular and GPS) on board
- Test-points on board
- Various power supply options: USB 5V or supply via DSB-mini

COMPATIBILITY



DSB-mini

Cost-optimized development board



DSB-mini is the alternative to DSB75 including two USB ports, dual SIM support and pads for a component SIM. The DSB-mini is compatible with all DSB-Adapter boards, the Multi-Adapter R1 and all Starter Kits.

2x RS232

USB

Audio connector for conventional headsets

Power supply through USB, 8-30 V or battery

Dual SIM interface

DAI interface

Prepared for component SIM

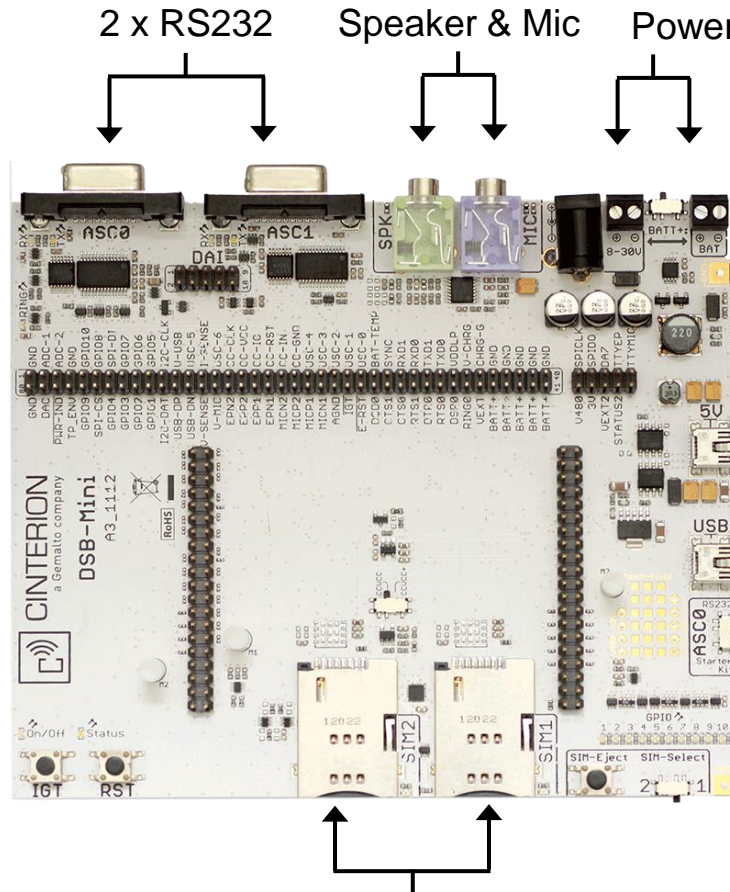
LED indicator for control, RS232 and GPIO

All module signals accessible

Automatic driver level adjustment

DSB-mini L30960-N0030-A100

- Compatible with DSB-Adapter boards, Multi-Adapter R1 and Starter-Kits.
- Easy to use customer oriented development board.



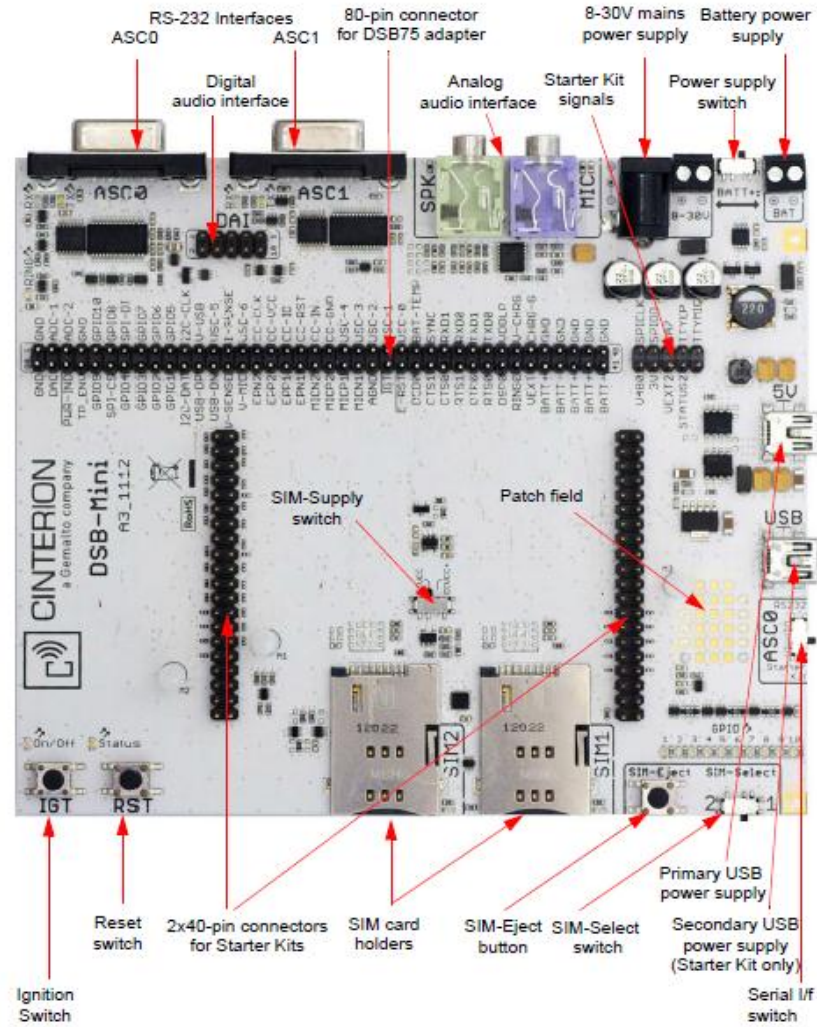
- 2x RS232 (ASC0+1) and USB
- Audio connector (MIC + SPK) for conventional PC head sets
- 3 power sources, USB, 8-30V or battery
- Dual SIM solution on board
- DAI interface accessible
- Prepared for dual Component SIM
- LED indicator for control, RS232 and GPIO
- All module signals accessible, automatic driver level adjustment

Power Supply via USB

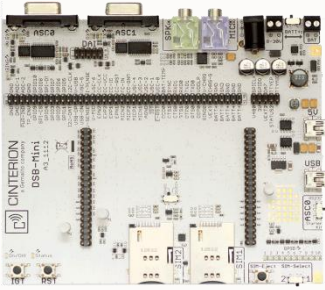
Dual and Component SIM support



DSB-mini L30960-N0030-A100



DSB-mini



Part#: **L30960-N0030-A100**

Package Contents

- 1 DSB-mini Development Support Board

Cost-optimized to fit all your development needs

INTERFACES

- 2x USB
- 2x RS232 (ASC0, ASC1)
- I²C (supports 3V or 5V devices)
- SPI
- Digital audio interface (DAI)
- 3.5mm jack socket
- Dual SIM Interface (1.8/3.0V)
- GPIO
- 2x ADC inputs
- 1x DAC output
- LEDs indicators for control, RS232 and GPIO

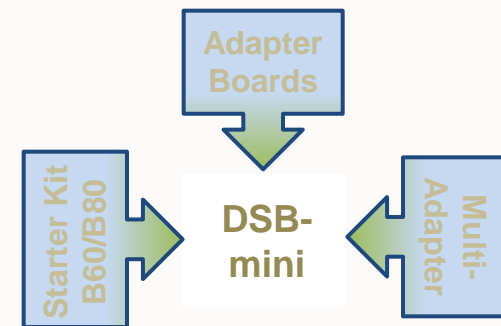
DIMENSIONS

- 140 x 125 mm

ADDITIONAL FEATURES

- Manual or SW-controlled dual SIM
- Prepared for component SIM
- 3.5mm jack for PC headsets
- All module signals accessible
- Automatic driver level adjustment
- Various power supply options: 2xUSB 5V, Battery or Laboratory PSU (8-30V)

COMPATIBILITY



Multi-Adapter

The one-fits-all solution

This adapter allows you to connect most Cinterion B2B modules and evaluation boards to the DSB75 and DSB-mini.

2x40 pin header compatible with DSB75 and DSB-mini

Pins for GPIO header

USB on board

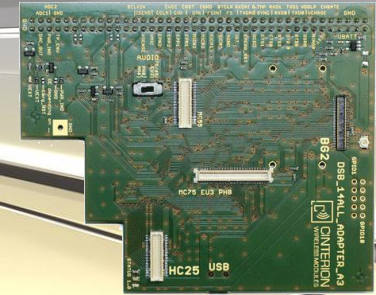
Audio on DSB

SIM on DSB

RF on DSB

Supports most modules and evaluation boards

Prepared for supply current measurements



Multi-Adapter R1 L30960-N0010-A100



Supported modules

- BG2, BGS2-EVAL
- MC55, MC55i, MC55i R.1.3
- MC75, MC75i family
- BGS3, EES3, ... (EVAL)
- HC25, EU3, PH8
- EHS5, EHS8 (EVAL)

Interfaces and facilities

- DSB75, DSB-Mini
- GPIO's
- USB on board
- Audio on DSB
- SIM on DSB
- RF on DSB

Multi-Adapter R1



Part #:

- L30960-N0010-A100

Package Contents:

- 1 Multi-Adapter R1

Multi-talented adapter board for DSB75 and DSB-mini

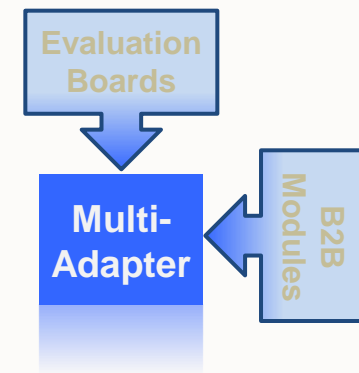
INTERFACES

- 2x40 header to DSB75 and DSB-mini
- 50-pin B2B for MC55i and MC55i-W
- 50-pin B2B for HC25/28/28-J
- 60-pin B2B for BG2-E, BG2-W, and BGS2 Rel.1 evaluation modules
- 80-pin B2B for PH8, EU3, MC75i, TC65i, TC65i-X, TC63i and all 80-pin evaluation modules (except Automotive class modules)
- External supply voltage indication LED
- Status LED
- GPIO interface
- U.FL antenna connector for BG2-E/-W
- USB Mini-B

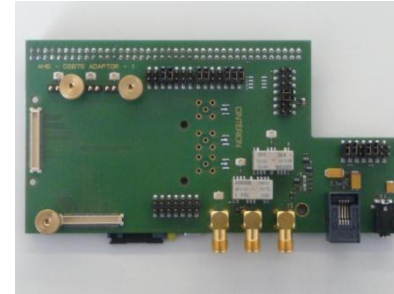
ADDITIONAL FEATURES

- Audio switch selects microphone bias voltage for 80-pin connector
- Test-points on board

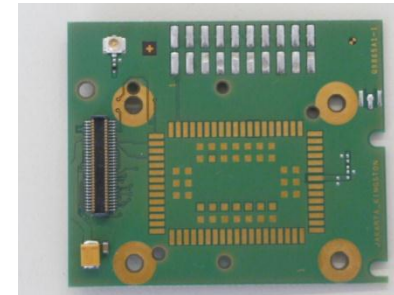
COMPATIBILITY



Adapter Board AH3/AH6 L30960-N2301-A100



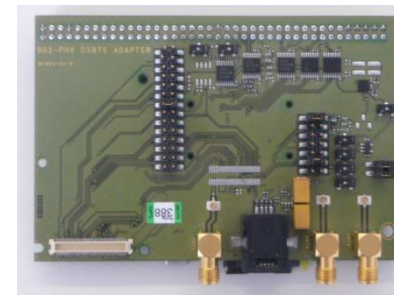
Adapter 60/80 PIN L30960-N2502-A100 (EOL)



Adapter Board EU3 L30960-N1701-A100 (EOL)

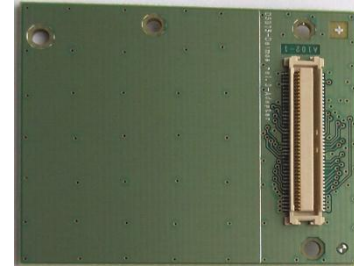


Adapter Board PH8 L30960-N1701-A100 (EOL)



Adapter Board MC55i

L30960-N1202-A100 (EOL)



Adapter Board HC25

L30960-N1001-A100 (EOL)

Update required

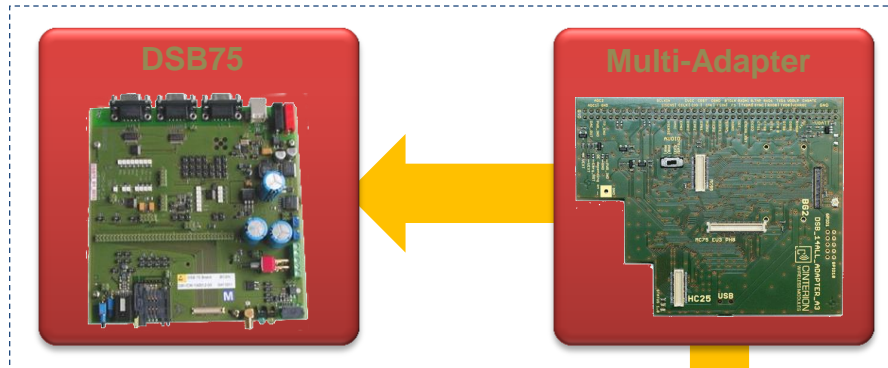
Flex Cable AC65/75

L36880-N8301-A108 (EOL)



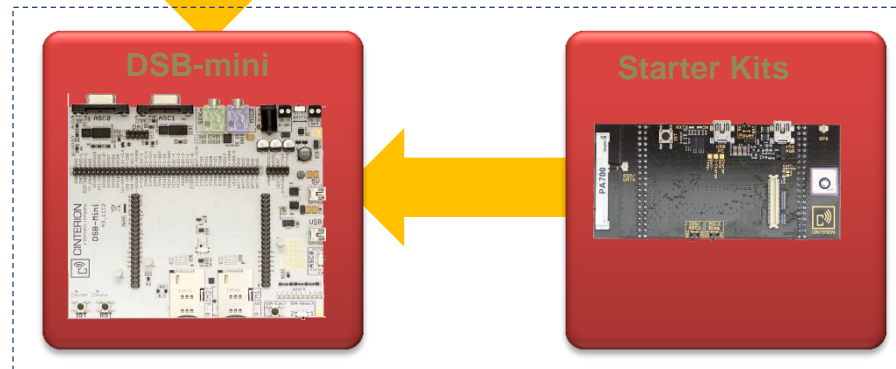
Connectivity options

Broadest function scope



- Combine **DSB75** and **Multi-Adapter** for broadest testing scope including industry standard audio connectors, serial ports, USB and full-access to module pins

Cost-efficient development

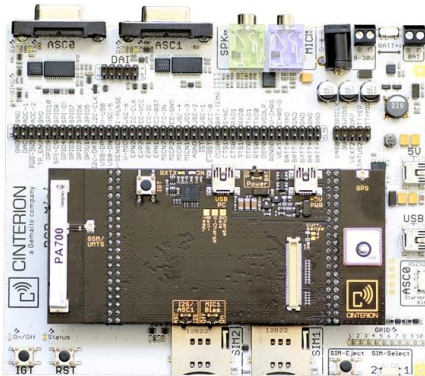


- Use **Starter Kits** as a stand alone solution to evaluate Cinterion Wireless Modules
- Combine with **DSB-mini** to expand the supported interfaces

DSB-Mini & Starter kit



DSB75 & Adapter



- Cost effective & easy setup
- All modules with B2B 60/80pin supported
 - Older modules (e.g. MC55) **not supported**
 - will support new modules
- Dual SIM, Antenna & wide power supply
- Starterkit can operate stand allown
=> suitable for field tests
- No reference environment

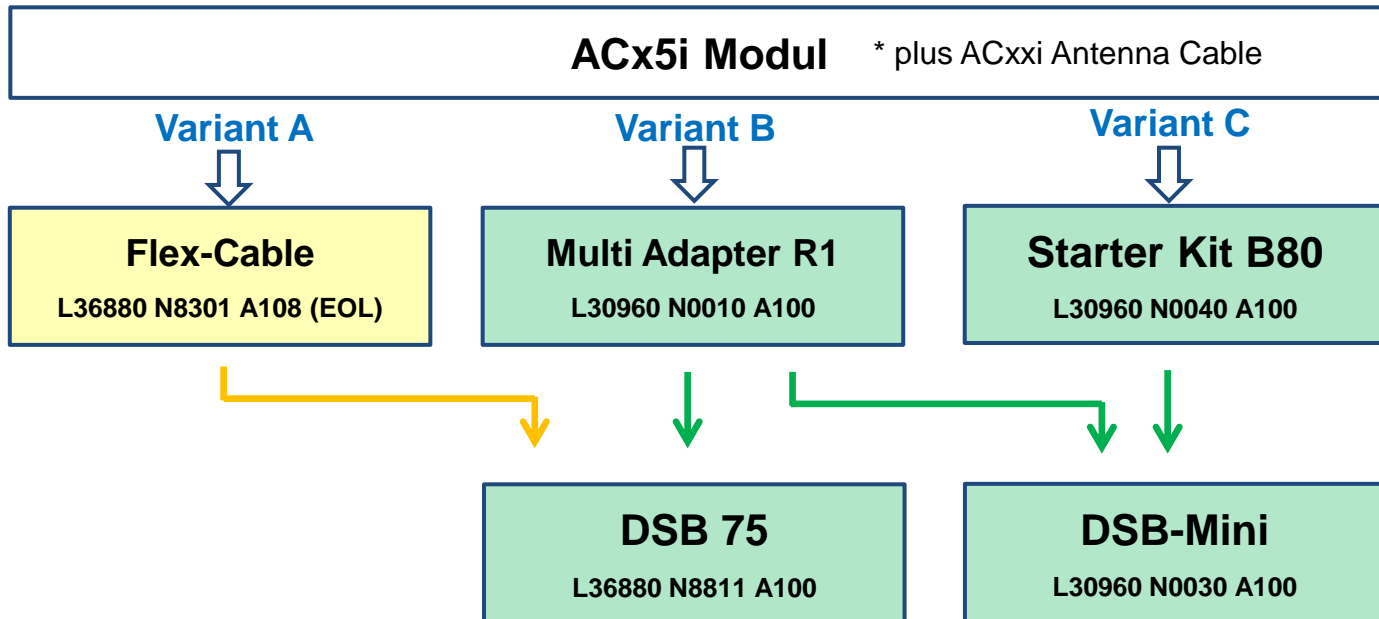
- Supports all modules
- **Reference environment**
- Higher cost

For most cases slightly different features, check out you really need...

Preferred solution: Starterkit + DSB Mini

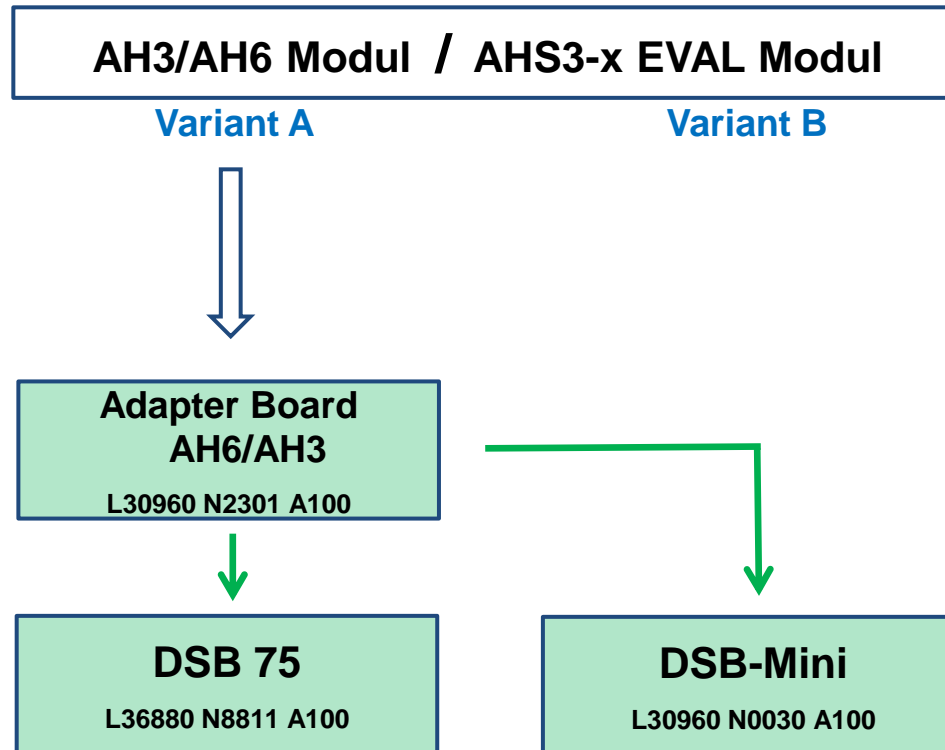
Development Accessories Overview

AC65i / AC75i



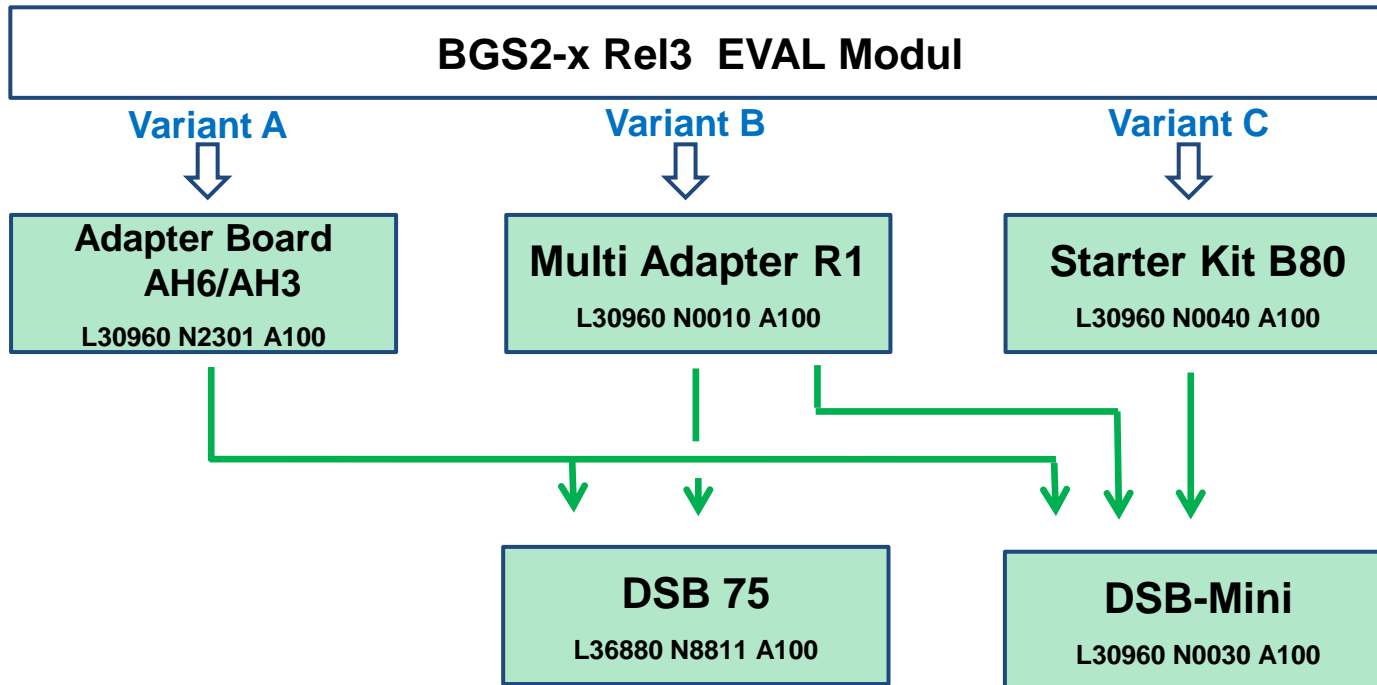
Development Accessories Overview

AH3 / AH6 / AHS3-W / AHS3-US



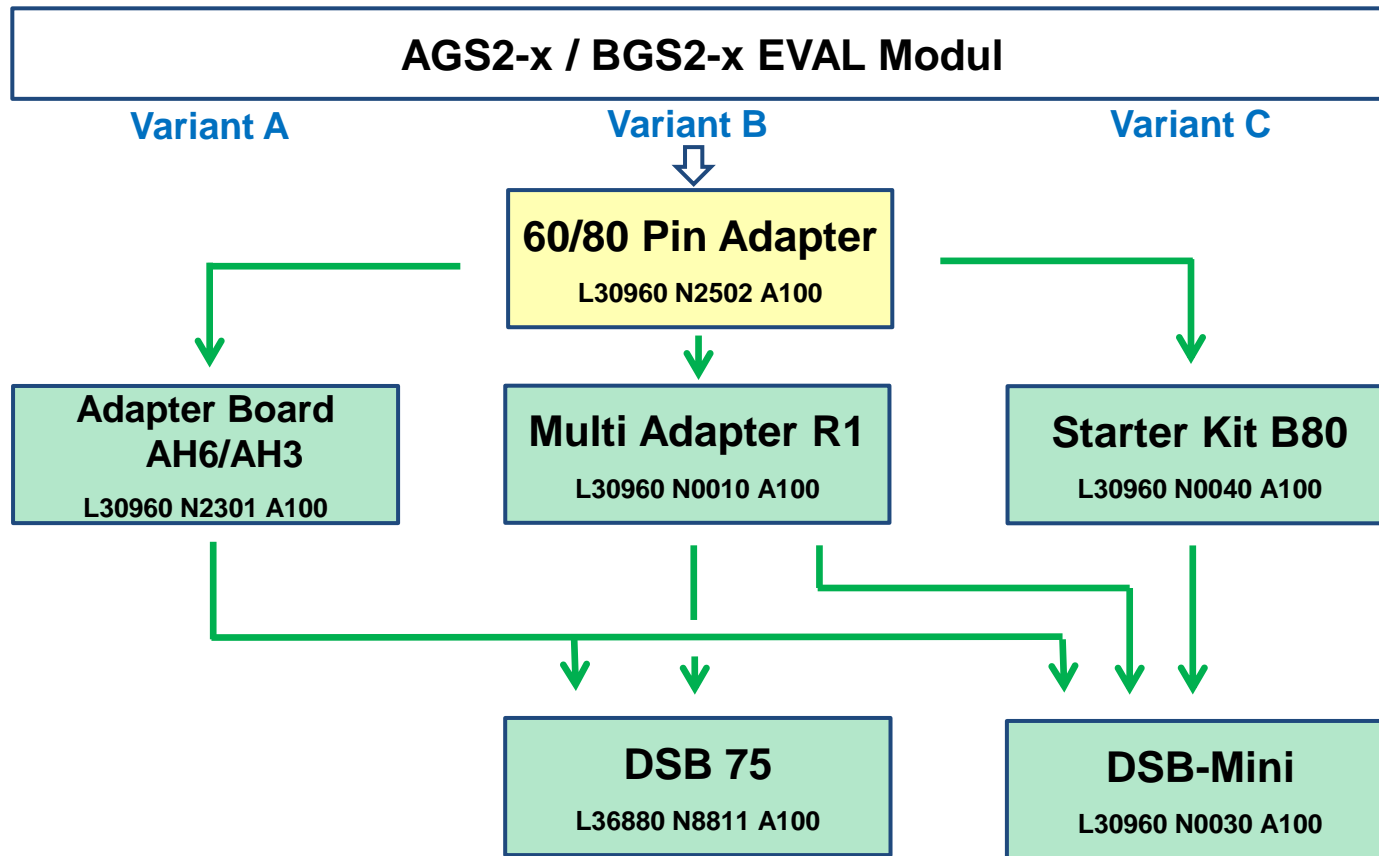
Development Accessories Overview

BGS2-E Rel3 / BGS2-W Rel3



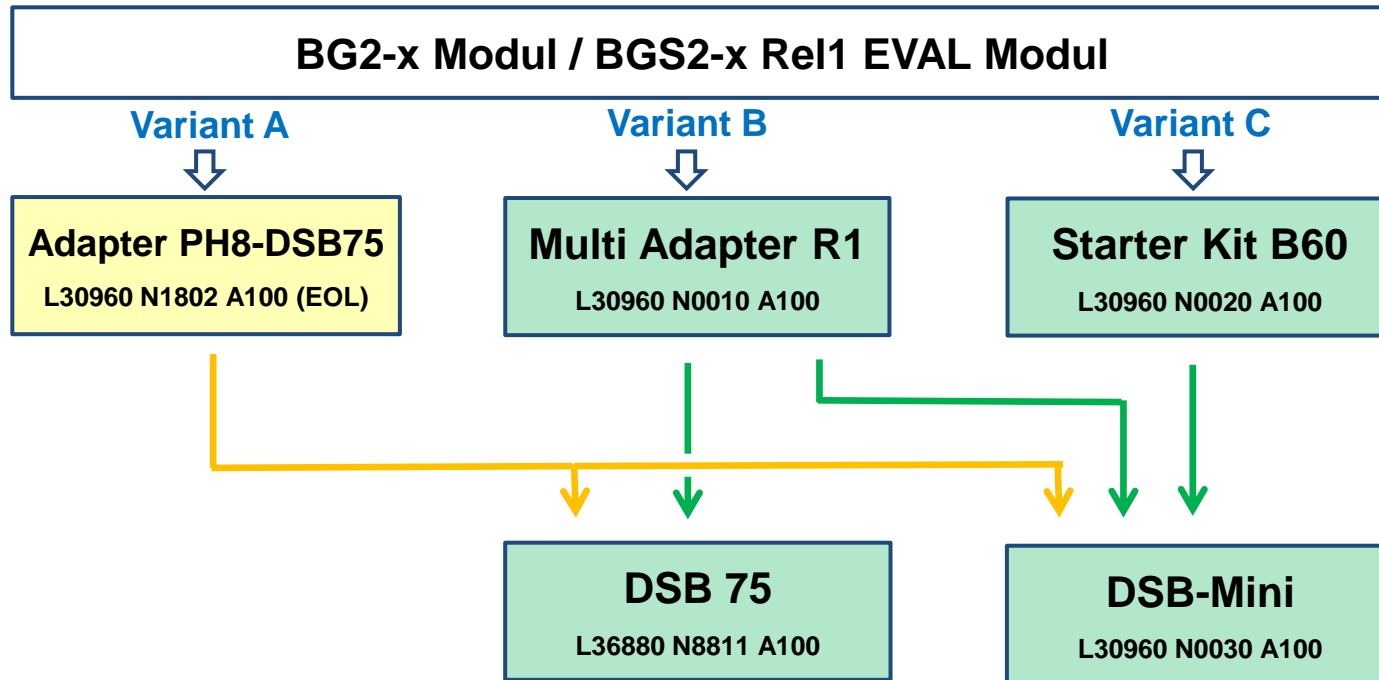
Development Accessories Overview

AGS2-E (PGS8) / AGS2-W / BGS2-E Rel2 / BGS2-W Rel2



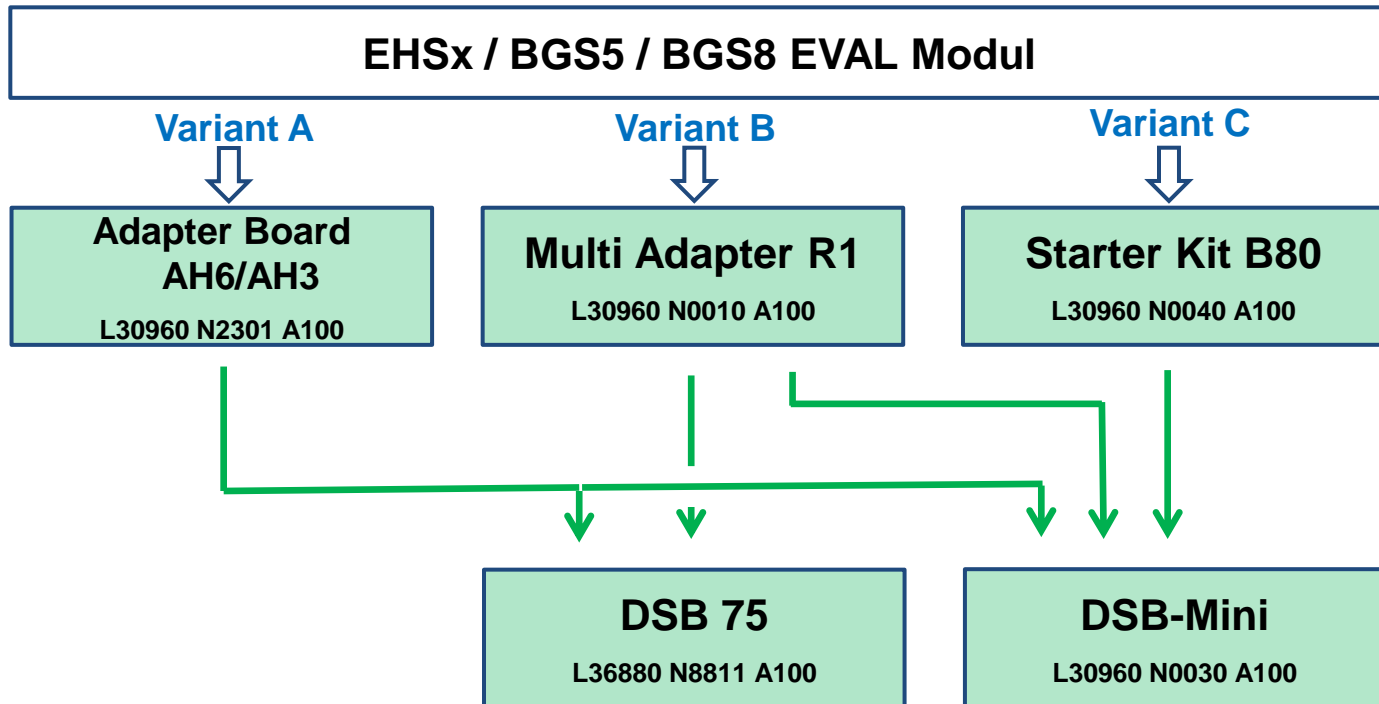
Development Accessories Overview

BG2-E / BG2-W / BGS2-E Rel1 / BGS2-W Rel1



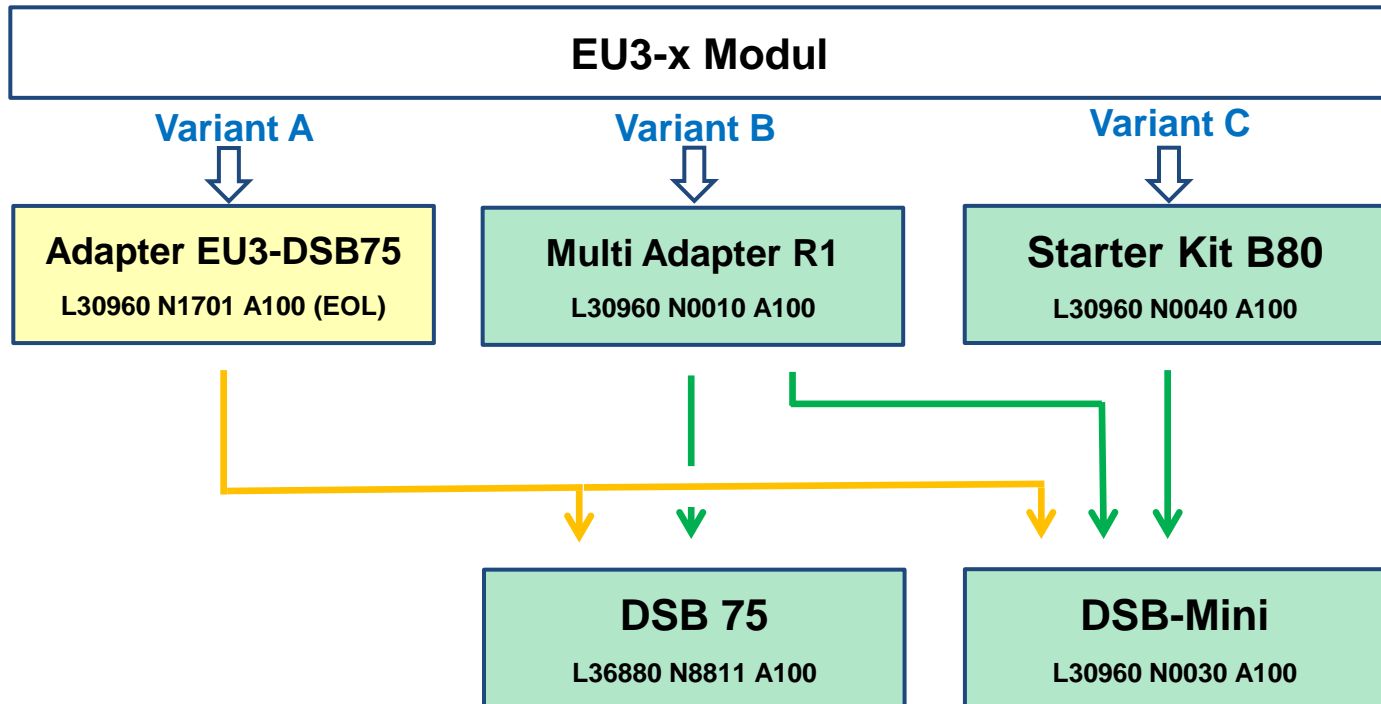
Development Accessories Overview

EHS5-E / EHS5-US / EHS6 / EHS8 / BGS5 / BGS8



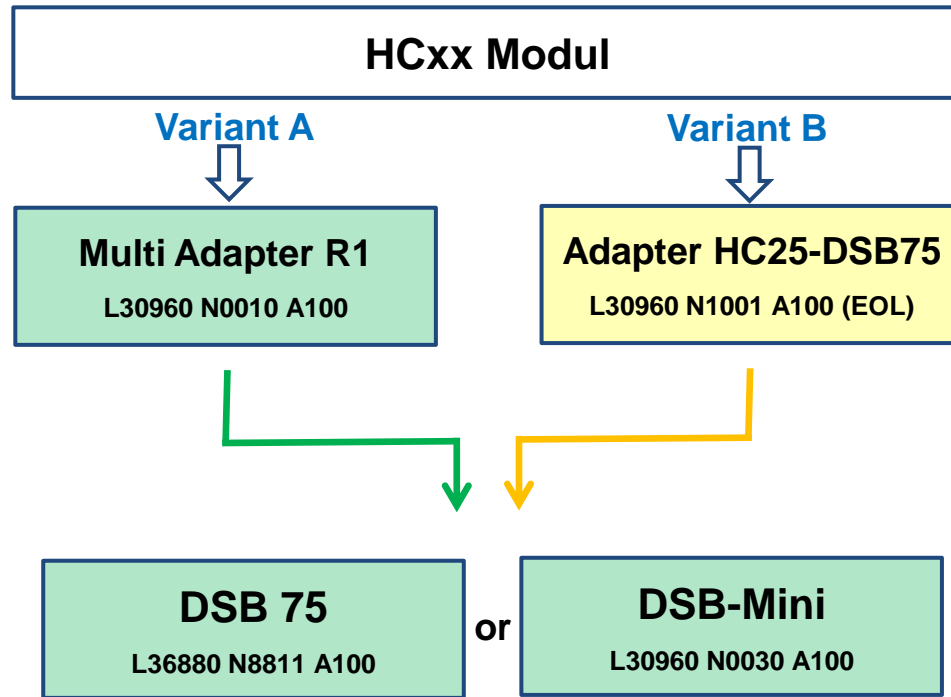
Development Accessories Overview

EU-E / EU3-P



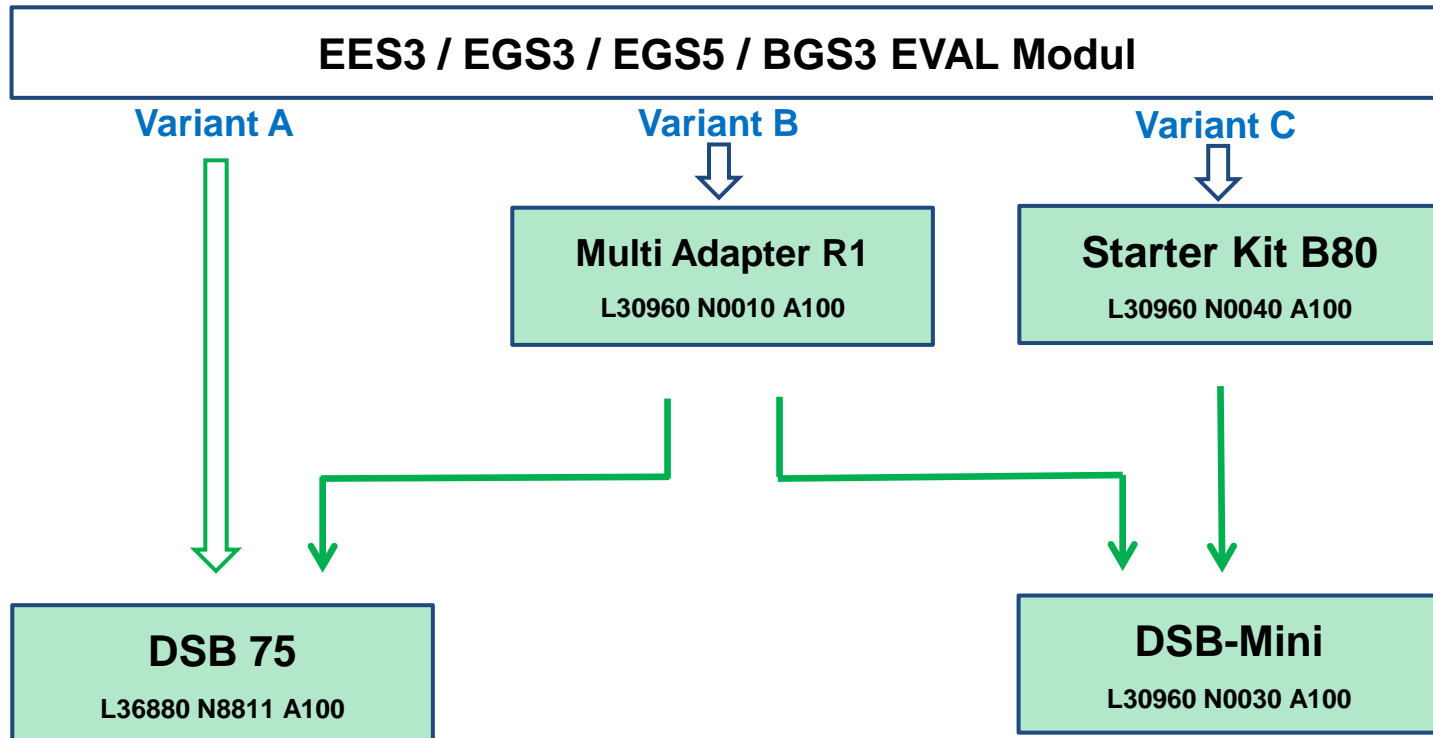
Development Accessories Overview

HC15 / HC25 / HC28



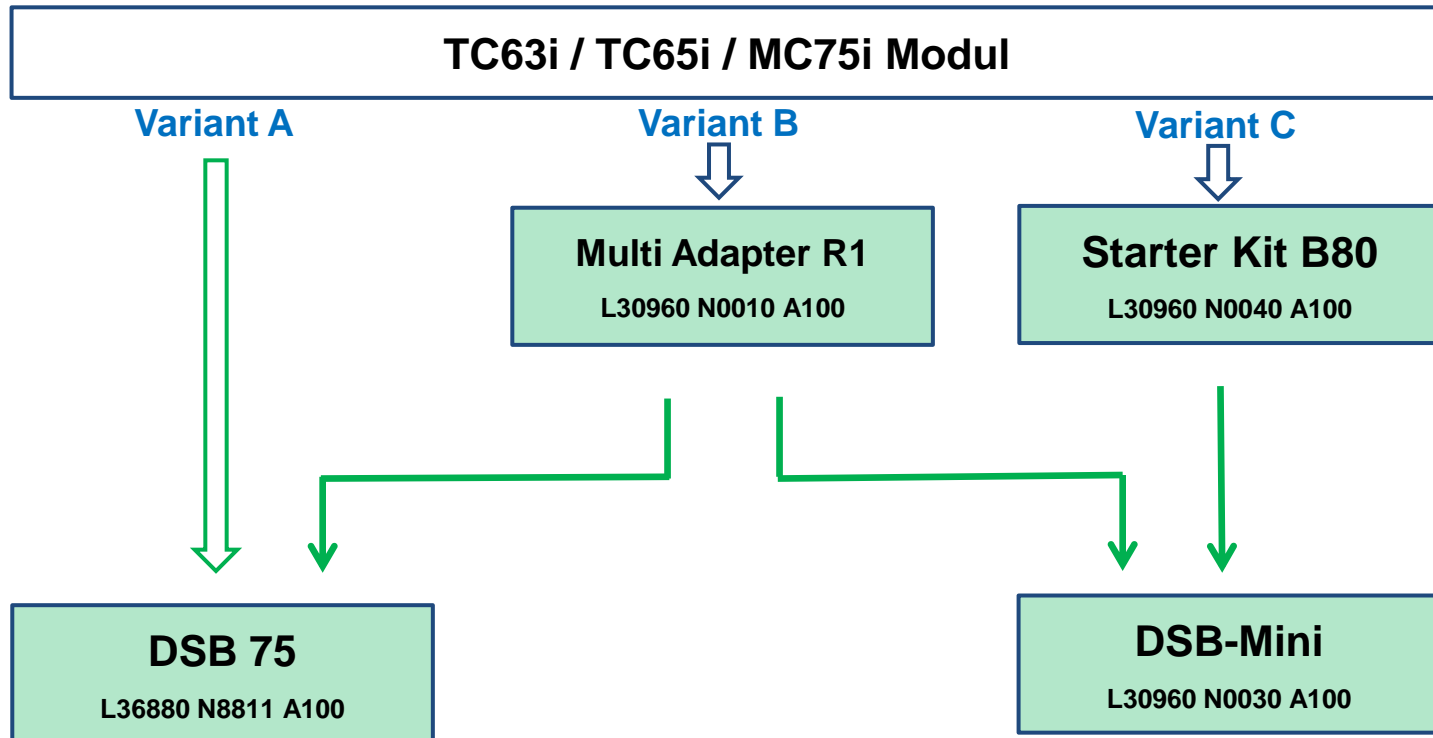
Development Accessories Overview

EES3 / EGS3 / EGS5 / BGS3



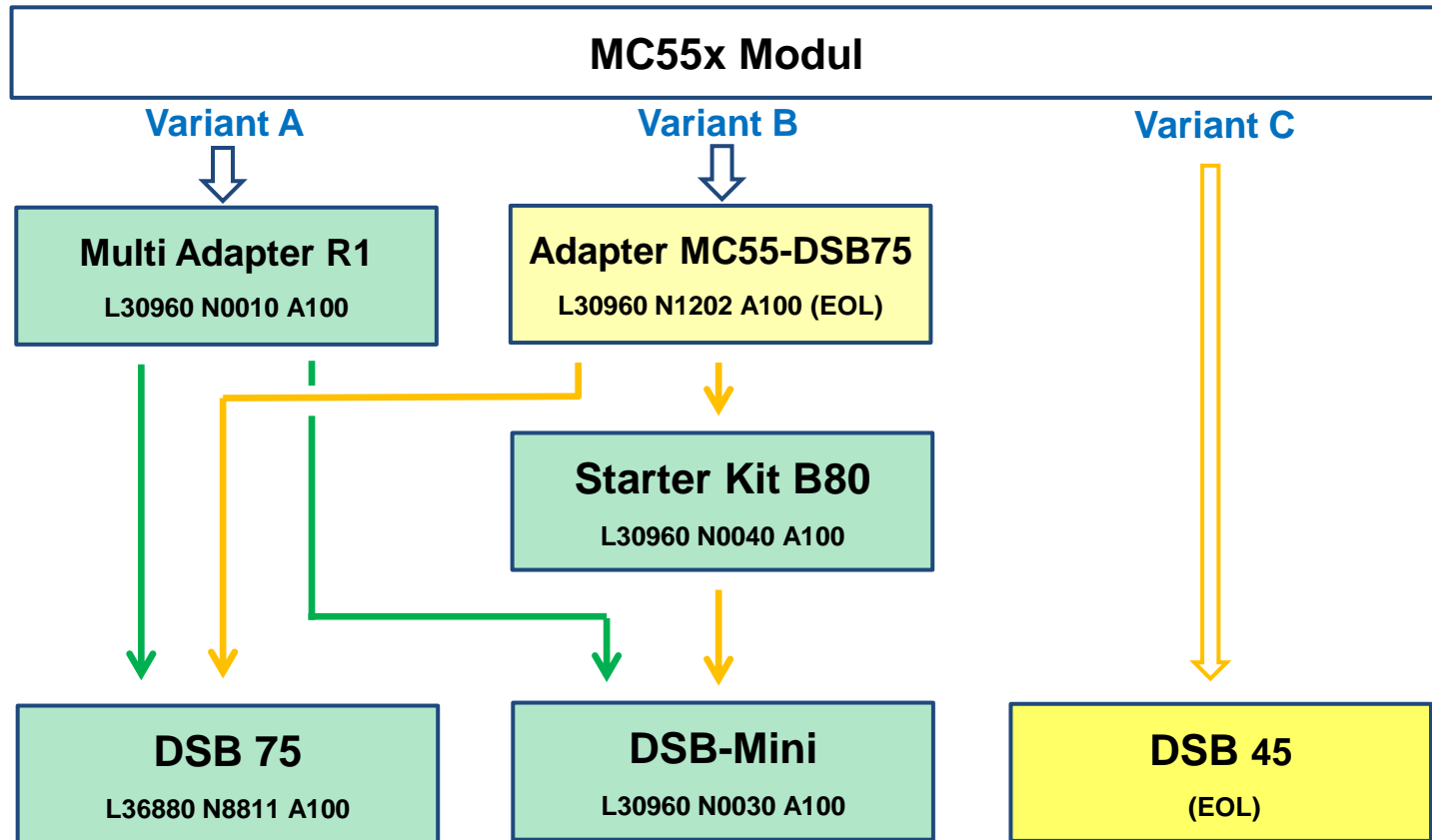
Development Accessories Overview

TC63i / TC65i / MC75i



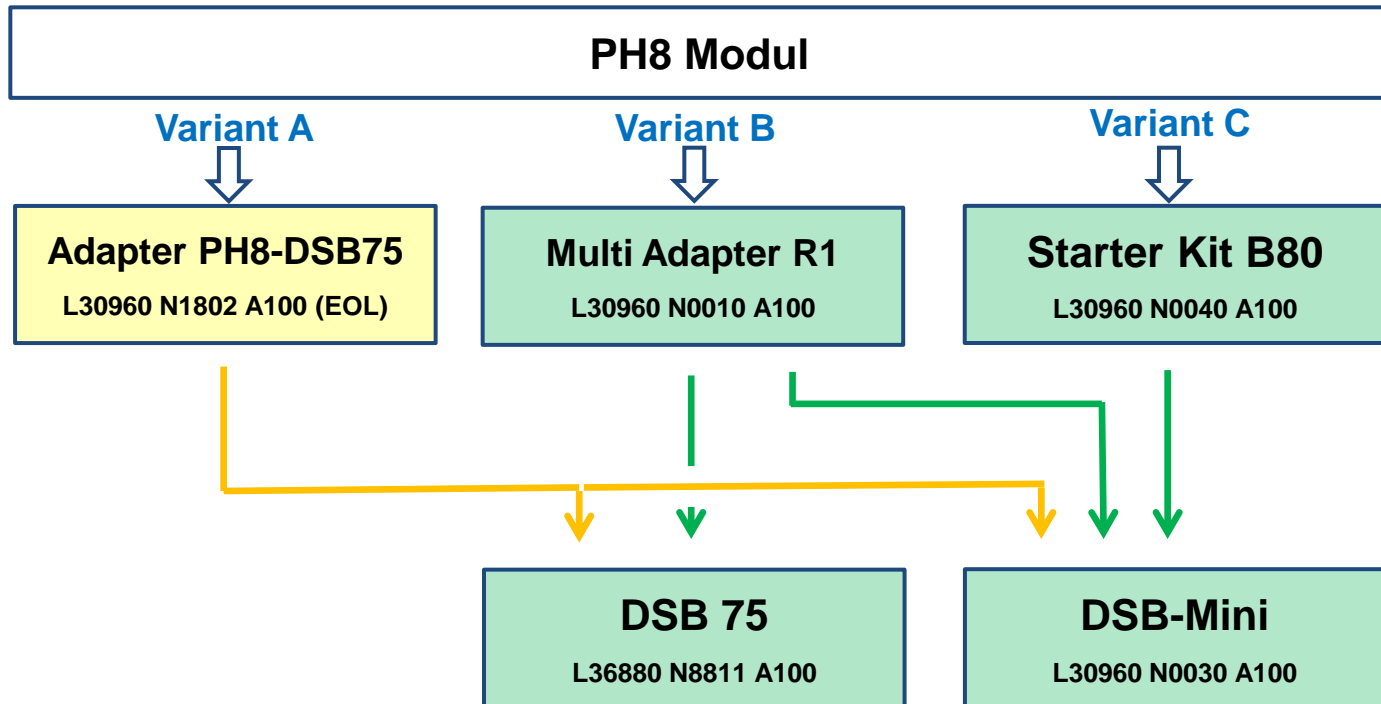
Development Accessories Overview

MC55 /MC55i / MC55i-W



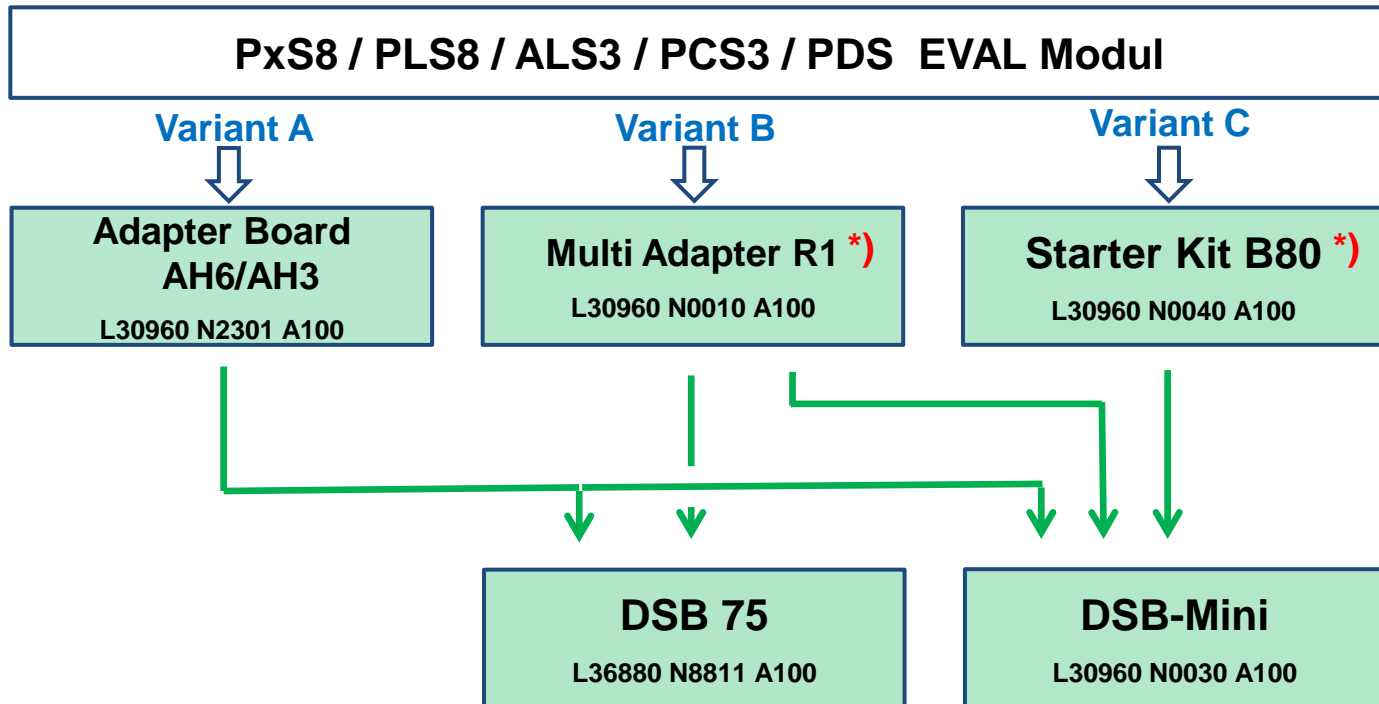
Development Accessories Overview

PH8 / PH8-J / PH8-K / PH8-P



Development Accessories Overview

PHS8-x / PXS8 (PVS8) / PLS8-x / ALS3-x / PCS3 / PDSx



*) Applicable if U-FL RF connector soldered manually on Eval module