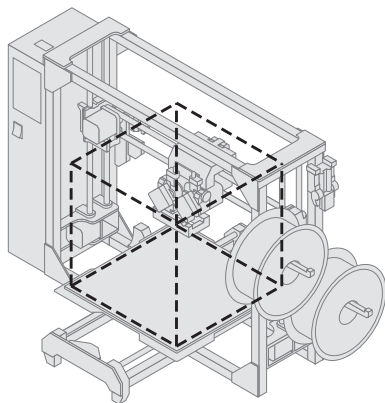


Specifications

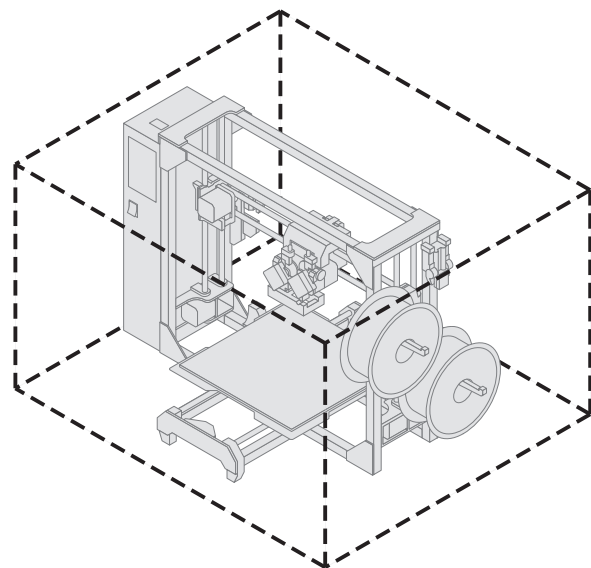
Printing

Print Technology	Fused Filament Fabrication
Print Area	280 mm x 280 mm x 285 mm (11.02 in x 11.02 in x 11.22 in)
Print Volume	22,344 cm ³ (1,362.56 in ³)
Recommended Operating Temperature	From 5°C to 45°C (41°F to 113°F)
Operating Footprint	83.2 cm x 71 cm (32.76 in x 28 in)
Operating Sound Level	37-50 dB during normal operation (52 dB Max)
Print Surface Leveling	Automatic Compensation
Connectivity	USB Serial and USB Flash Drive
Extruder/Hot End	Dual Vertically Actuated E3D Titan Aero Extruders
Nozzle Diameter	0.50 mm
Filament Diameter	2.85 mm
Maximum Extrusion Rate	13.82 mm ³ /s
Nozzle Material	Hardened Steel
Nozzle Temperature	Up to 290°C (554°F)
Nozzle Heat Up Time	From 18°C to 230°C (64°F to 446°F) in 1 minute, 36 seconds
Print Surface	Heated Borosilicate Glass with PEI Surface
Maximum Print Surface Temperature	Up to 120°C (248°F)
Print Surface Heat Up Time	From 18°C to 100°C (64°F to 212°F) in 10 minutes, 45 seconds
Layer Resolution	50 microns - 400 microns (0.002 in-0.016 in)
Minimum Positive Feature Size	0.5 mm (0.02 in)
Calculated XYZ Positional Resolution	10, 10, <1 micron



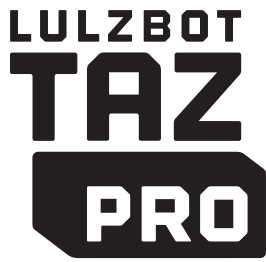
Print Area

280 mm x 280 mm x 285 mm
(11.02 in x 11.02 in x 11.22 in)



Operating Footprint

83.2 cm x 71 cm
(32.76 in x 28 in)



Specifications (Cont.)

Universal Tool Head System

The next generation of modular tool heads allow for easy tool head swapping and a variety of nozzle sizes to fit every project.

SL Tool Head | Small Layer | 0.25 mm

Print with incredible detail and resolution.

SE Tool Head | Single Extruder | 0.50 mm

A balance between print quality and speed.

HS Tool Head | Hardened Steel | 0.80 mm

Make high-strength, end-use parts with composite materials such as carbon-filled filament.

HS+ Tool Head | Hardened Steel | 1.20 mm

Design, print, and iterate large prototypes at incredible speeds with this high-output tool head.

Learn more about tool head upgrades at lulzbot.com/store/tool-heads

Physical Dimensions

Dimensions with reel	83 cm x 71 cm x 52 cm (32.67 in x 28 in x 20.47 in)
Unit Weight	16.78 kg (37 lbs) without filament reel
Boxed Unit Weight	20.86 kg (46 lbs)

Materials

Open filament system compatibility	PLA, ABS, Nylon, Polycarbonate, Carbon Fiber Reinforced Blends, TPU 85A & 95A (Flexible), PETG, PETT, Copolyester, PVB (Polycast), PVA, HIPS, and many more 3rd party filaments.
------------------------------------	--

Software

Operating System Compatibility	GNU/Linux, Mac, Windows
Recommended Software	Cura LulzBot Edition (Latest Version)
Firmware	Marlin
Supported File Types	.stl, .obj, .g, .gcode, .x3d, .3mf, .png, .jpg

Electrical

Power Requirements	100VAC-240VAC
Output	24 volt DC, 500 watts, 21 amps
Power Supply	Auto-switching MEAN WELL RSP-500-24

Safety and Compliance

Certifications	FCC, CE, WEEE, ETL by Intertek (UL) CA, RCM, OSHWA
Warranty	Includes one-year warranty and access to technical support seven days a week. Optional one, two, or three-year extended warranty and support terms are available.
Country of Origin	Made in USA from domestic and imported components.

LulzBot.com | sales@LulzBot.com | +1-970-377-1111

LulzBot is a registered trademark of Aleph Objects, Inc.