



PART NAME

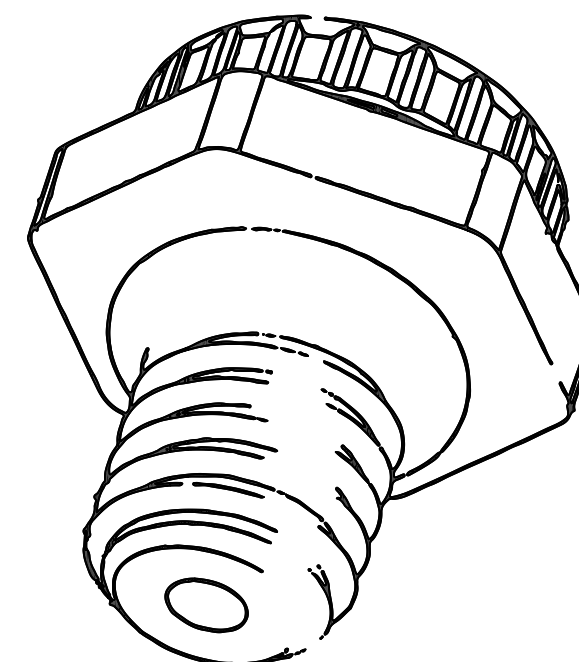
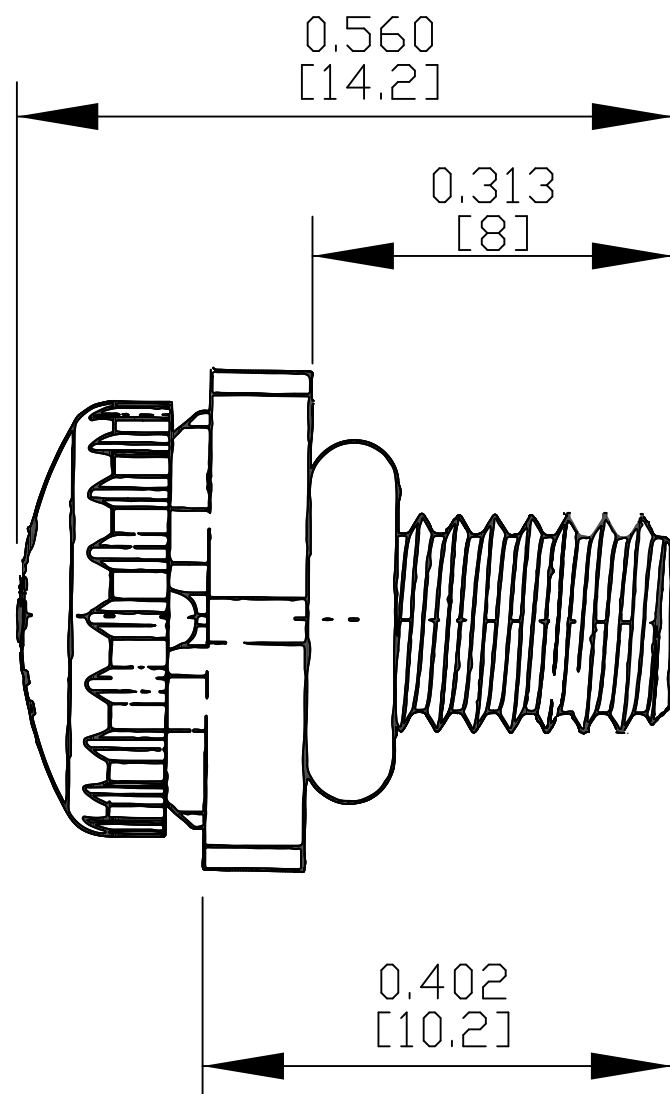
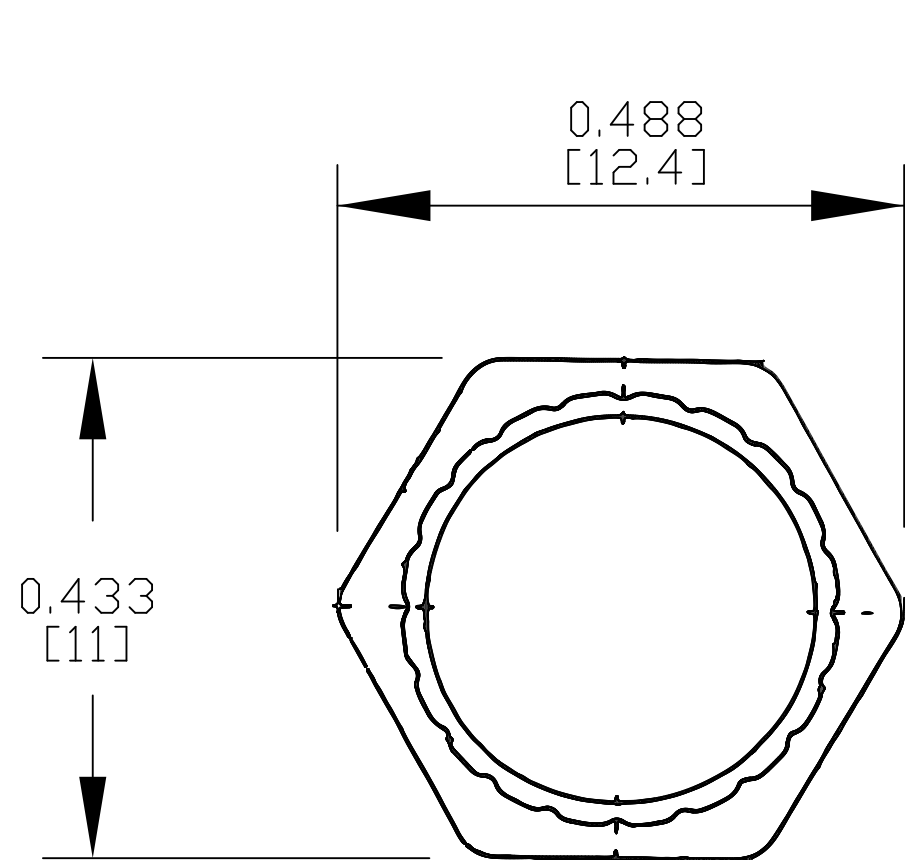
M6 X 1.0 VENT PLUG WITH O-RING WASHER

PART No.

IPV-67601-B & IPV-67601-G

REV. DATE

5/30/19



DRAWING FOR REFERENCE  
 WE RESERVE THE RIGHT TO MAKE CHANGES TO OUR  
 STANDARD PRODUCTS. PLEASE CONSULT WITH BUD INDUSTRIES  
 PRIOR TO USING THIS DRAWING FOR DESIGN PURPOSE.

- NOTES:
- 1- BODY MATERIAL - PC (IP67)  
 MEMBRANE MATERIAL - e-PTFE  
 O-RING WASHER MATERIAL - SILICONE
  - 2- FINISH - (-B) BLACK (-G) GRAY
  - 3- DIMENSIONS ARE INCH  
 [MM]