



# User Guide

## EVB-ATEK817P4-01

---

Document Code : 023-135101  
Revision No : 03  
Revision Date : 16/04/2022

**Revisions**

Revision No	Revision Date	Revision Reason	Section / Page No
1.0	29.07.2021	Initial Version	
1.1	10.01.2022	Format and Content Fixed	
1.2	16.04.2022	Format and Content Fixed	

**INDEX**

1 GENERAL INFORMATION ..... 3

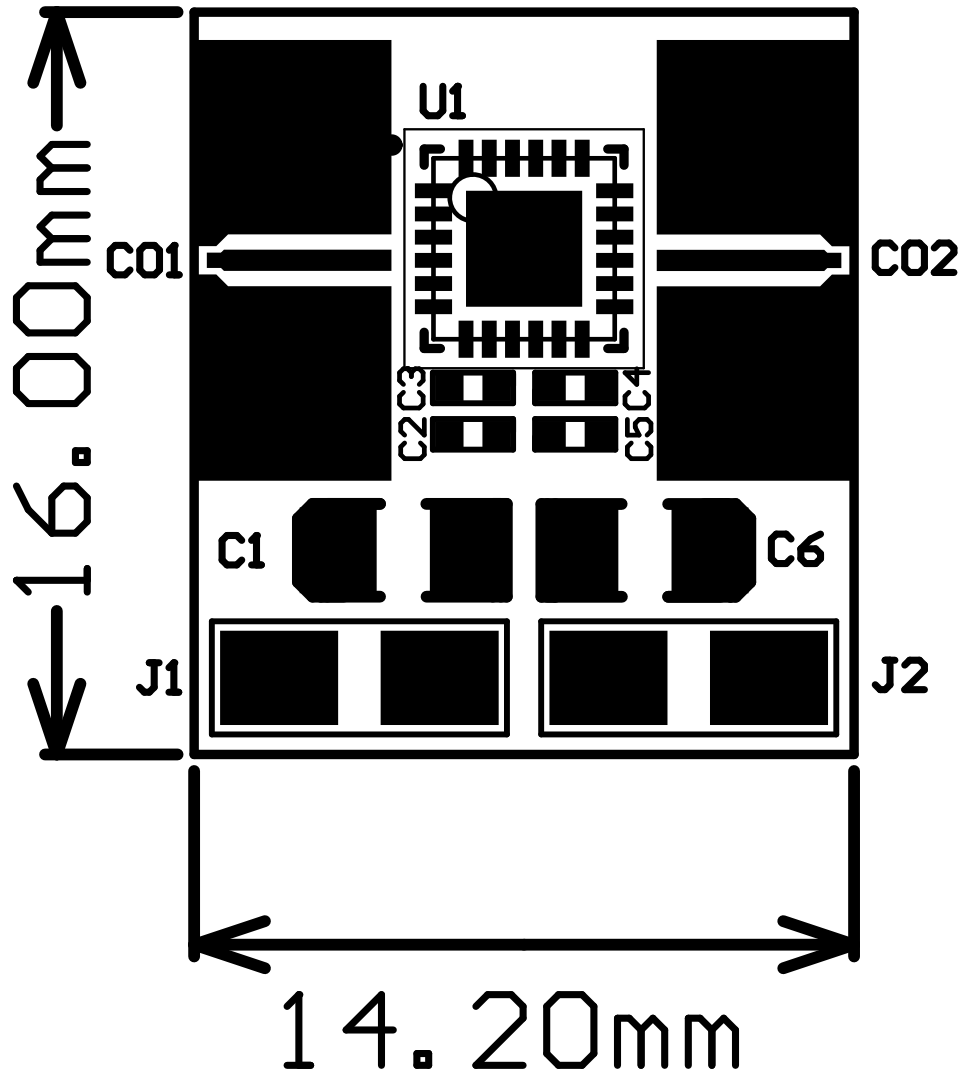
2 DESIGN INFORMATION..... 4

2.1 SCHEMATIC..... 4

2.2 BOM ..... 4

3 TYPICAL PERFORMANCE PLOTS..... 5

1 GENERAL INFORMATION



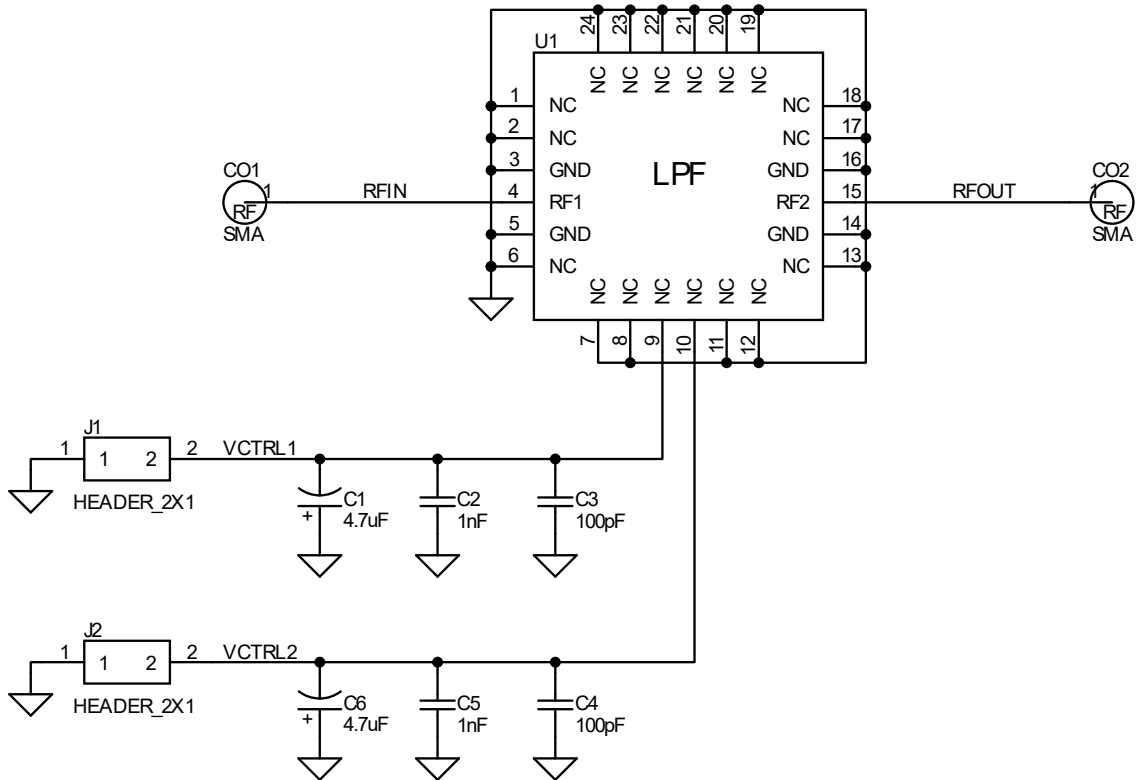
PIN Name	Definition	Comment
CO1	RF IN	SMA Connector
CO2	RF OUT	SMA Connector

Notes:

1. VDD Voltage is detailed in Datasheet.
2. Control Voltage is detailed in Datasheet.
3. The definition of up, down, right, and left is valid for this view of PCB.

2 DESIGN INFORMATION

2.1 SCHEMATIC



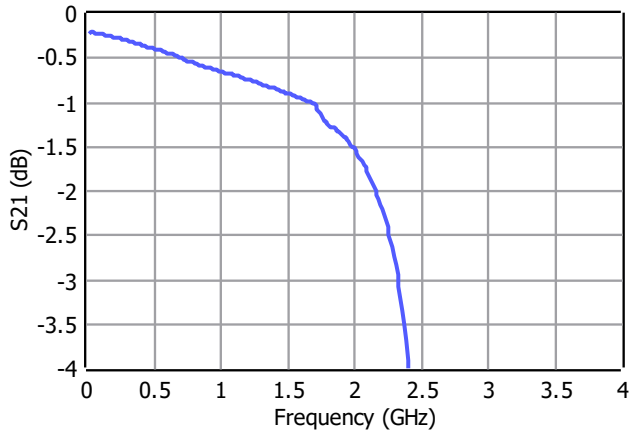
2.2 BOM

Designator	Footprint	Qty	Comment	PN
<b>C1, C6</b>	CASEA	2	DNP	
<b>C2, C5</b>	0402	2	DNP	
<b>C3, C4</b>	0402	2	DNP	
<b>CO1, CO2</b>	SMA Connector	2	SMA Connector	
<b>J1, J2</b>	2x1 Header	2	DNP	
<b>U1</b>	ATEKQ4424	1	Band Pass Filter	ATEK817P4

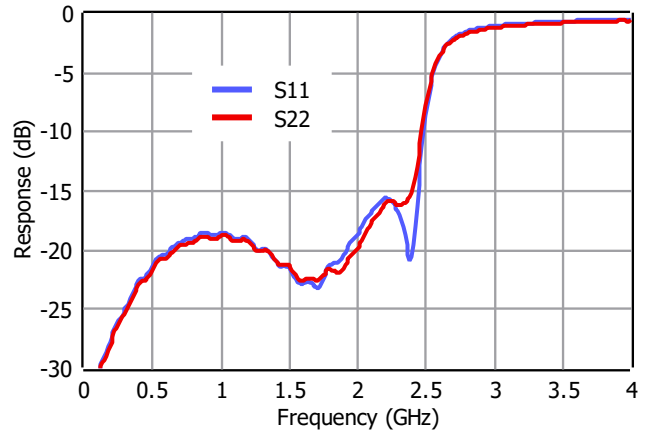
3 TYPICAL PERFORMANCE PLOTS

Conditions unless otherwise specified: Typical, T = 25 C, CW. For details, please refer to the datasheet.

S21 Inband Loss



S11 and S22



S21 Wideband

