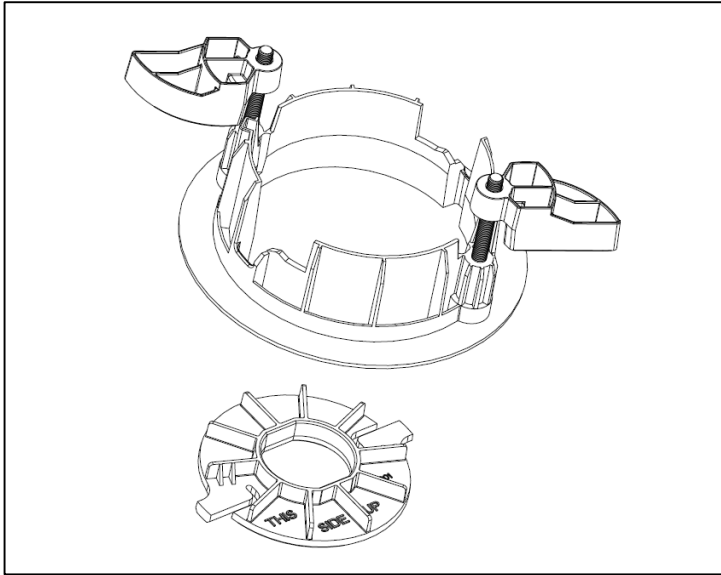


Description: DAS Clarity Ceiling Mount Insert

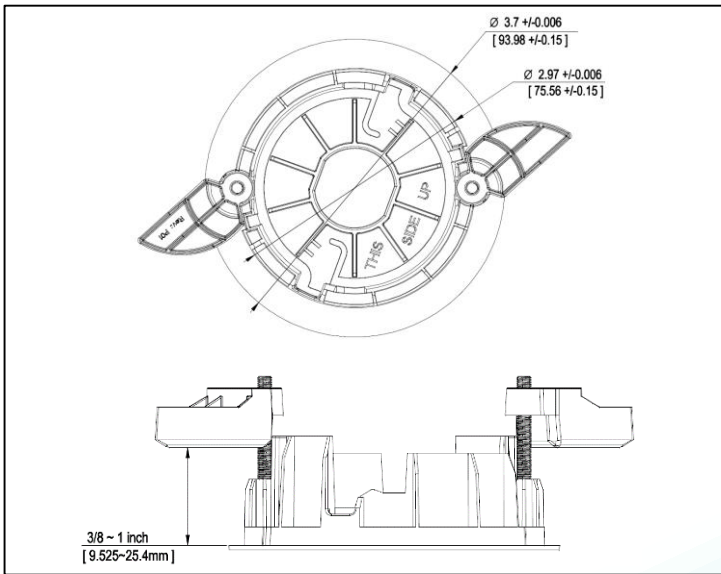
Series: Accessory

PART NUMBER: DASCLINSERT



Features:

- Allows one-sided (blind hole) installation.
- No above ceiling access required.
- Eliminates costly access panels
- Low PIM: Will not induce PIM into system.
- Near flush mount.
- Easy installation and removal
- Snap-in antenna assembly minimizes cable torque.
- Patent Pending



Applications:

- Use with Clarity Family of ultra-thin ceiling mount antennas.
- Perfect for plaster, drywall and other architectural ceilings.
- Both Carrier and Public Safety DAS Installations

All dimensions are in mm / inches

Issue: 1609 DRAFT RalfYe

In the effort to improve our products, we reserve the right to make changes judged to be necessary.

CONFIDENTIAL AND PROPRIETARY INFORMATION

This document contains confidential and proprietary information of Pulse Electronics, Inc. (Pulse) and is protected by copyright, trade secret and other state and federal laws. Its receipt or possession does not convey any rights to reproduce, disclose its contents, or to manufacture, use or sell anything it may describe. Reproduction, disclosure or use without specific written authorization of Pulse is strictly forbidden.

For more information:

Pulse Worldwide Headquarters
12220 World Trade Drive
San Diego, CA 92128
USA
Tel: 1-858-674-8100

Pulse/Larsen Antennas
3611 NE 112th Ave
Vancouver, WA 98682
USA
Tel: 1-360-944-7551

Europe Headquarters
Pulse GmbH & Do, KG
Zeppelinstrasse 15
Herrenberg, Germany
Tel: 49 7032 7806 0

Pulse (Suzhou) Wireless Products Co, Inc.
99 Huo Ju Road(#29 Bldg, 4th Phase
Suzhou New District
Jiangsu Province, Suzhou 215009 PR China
Tel: 86 512 6807 9998



Description: DAS Clarity Ceiling Mount Insert

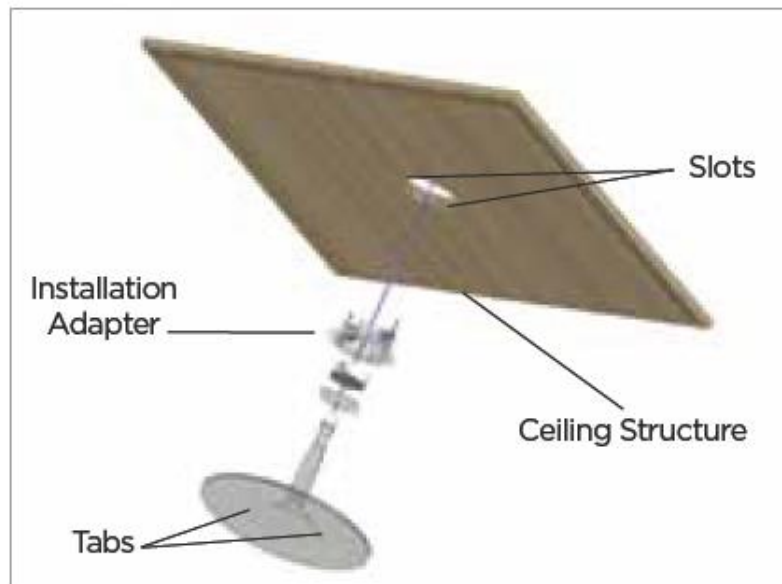
Series: Accessory

PART NUMBER: : DASCLINSERT

This document covers all product variants of the following product family:

This insert assembly is used to allow Pulse Clarity Family DASUTCCXXX, DASUTWCXXX and PSUTWCXXX antennas to be installed when there is no access to the area above the ceiling (like drywall or plaster board) other than a hole to fish the wire through.

Typical Assembly using the Clarity Installation Adapter



Description: DAS Clarity Ceiling Mount Insert

Series: Accessory

PART NUMBER: : DASCLINSERT

MECHANICAL SPECIFICATIONS

Plastic radome	PC
Color	Clarity
Weight	42 g

ENVIRONMENTAL SPECIFICATIONS

Operating temperature	-40~85 ° C
Temperature	
Stationary	-40~85 ° C
Cyclic	3 cycles Rate 5°C/min

Issue: 1609 DRAFT RalfYe

In the effort to improve our products, we reserve the right to make changes judged to be necessary.

CONFIDENTIAL AND PROPRIETARY INFORMATION

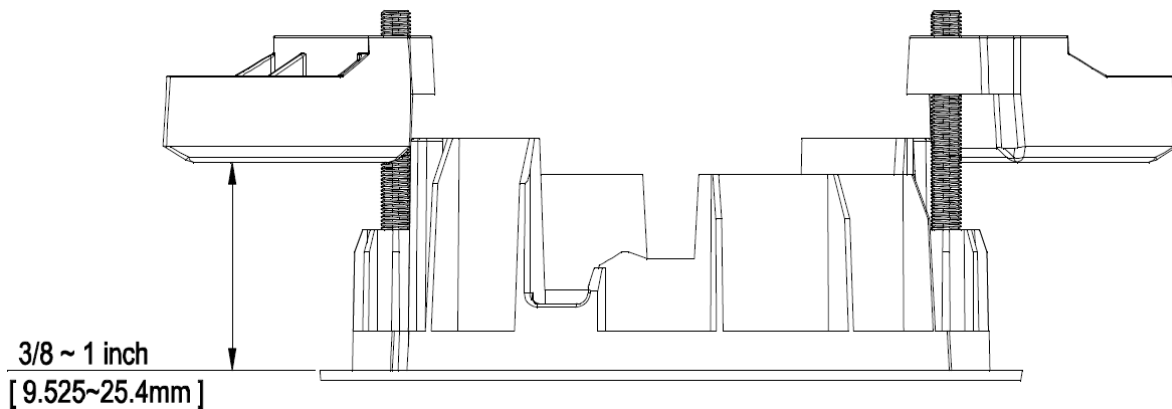
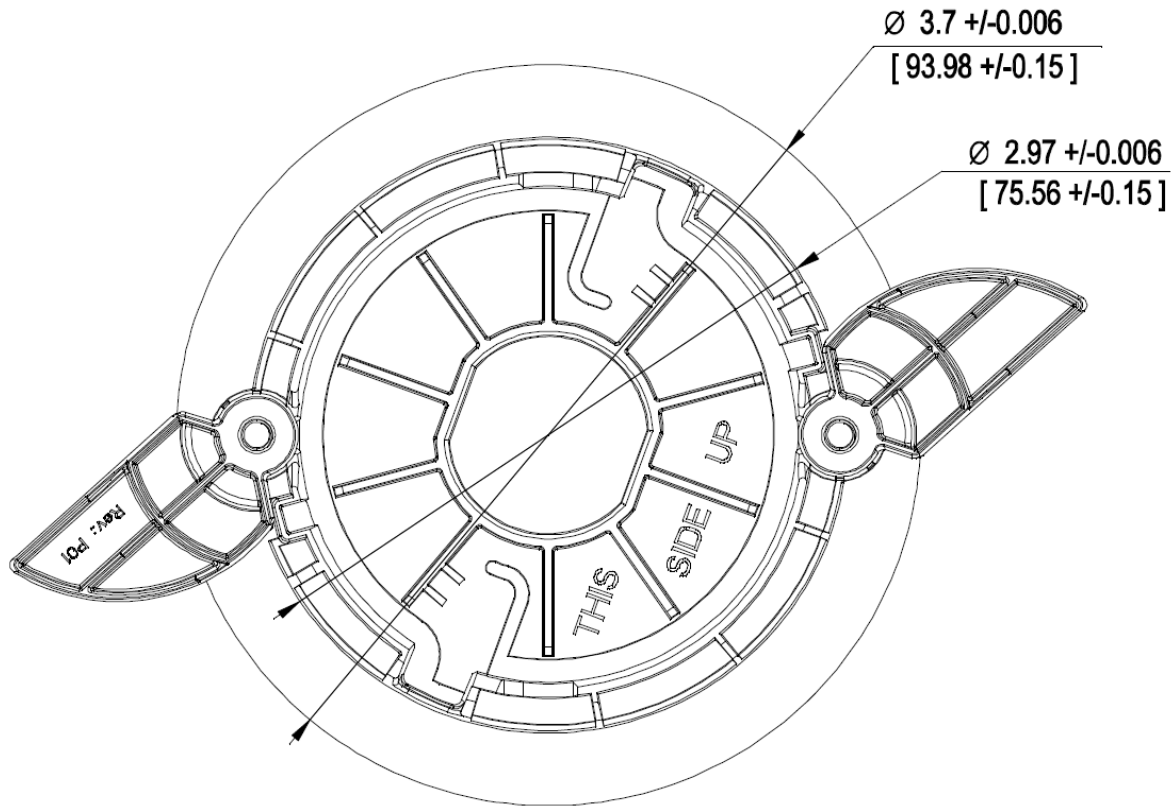
This document contains confidential and proprietary information of Pulse Electronics, Inc. (Pulse) and is protected by copyright, trade secret and other state and federal laws. Its receipt or possession does not convey any rights to reproduce, disclose its contents, or to manufacture, use or sell anything it may describe. Reproduction, disclosure or use without specific written authorization of Pulse is strictly forbidden.

Description: DAS Clarity Ceiling Mount Insert

Series: Accessory

PART NUMBER: : DASCLINSERT

MECHANICAL DRAWING



Issue: 1609 DRAFT RalfYe

In the effort to improve our products, we reserve the right to make changes judged to be necessary.

CONFIDENTIAL AND PROPRIETARY INFORMATION

This document contains confidential and proprietary information of Pulse Electronics, Inc. (Pulse) and is protected by copyright, trade secret and other state and federal laws. Its receipt or possession does not convey any rights to reproduce, disclose its contents, or to manufacture, use or sell anything it may describe. Reproduction, disclosure or use without specific written authorization of Pulse is strictly forbidden.

Description: DAS Clarity Ceiling Mount Insert

Series: Accessory

PART NUMBER: : DASCLINSERT

PACKAGING

Individually bagged; 48 per carton but sold individually.

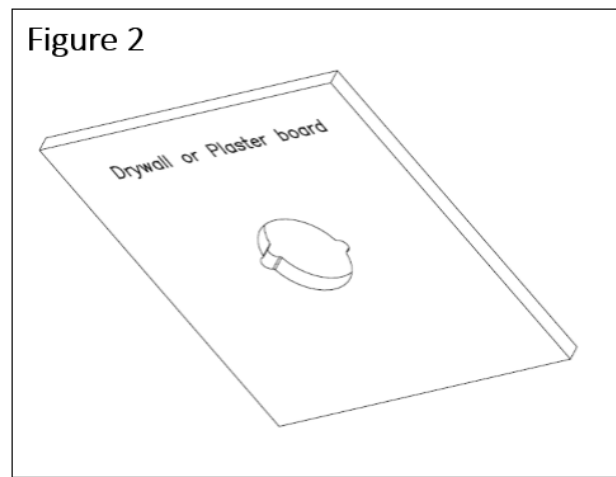
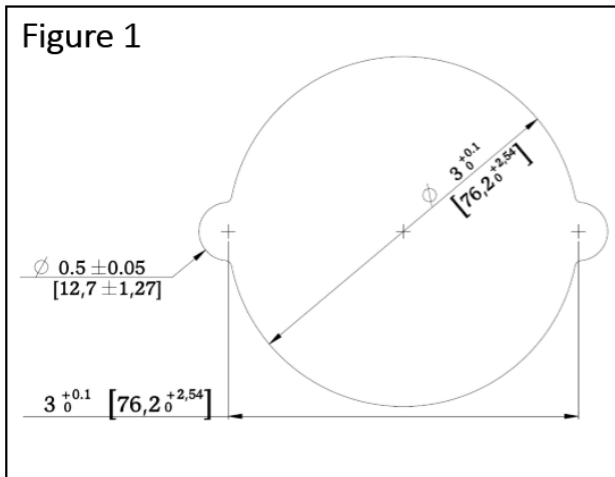
ASSEMBLY

INSTALLATION INSTRUCTION

Step 1,

Drill or cut a hole 3~3.1 inches (76.2~78.74 mm) in drywall with two 0.5 inch diameter tab cutouts 180° opposed. See Figure 1 and Figure 2.

Drywall thickness range: 3/8 ~1 inch



Step 2,

Check the two clamps can freely swing in and out by adjusting the screw's position. See Figure 3. Note: The clamps are limited in how far they can swing due to the side wall of the sleeve. (Shown as Figure 3)

Screw Driver type: 2# PHILIPS DRIVE
Torque < 3 lb-ft (4 Nm)

Issue: 1609 DRAFT RalfYe

In the effort to improve our products, we reserve the right to make changes judged to be necessary.

CONFIDENTIAL AND PROPRIETARY INFORMATION

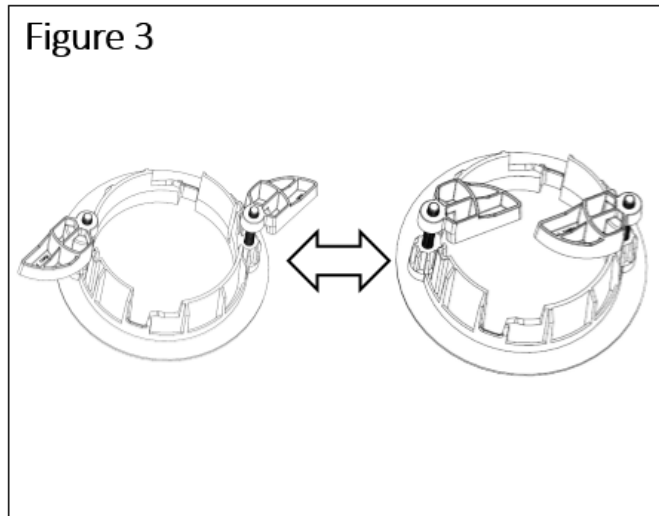
This document contains confidential and proprietary information of Pulse Electronics, Inc. (Pulse) and is protected by copyright, trade secret and other state and federal laws. Its receipt or possession does not convey any rights to reproduce, disclose its contents, or to manufacture, use or sell anything it may describe. Reproduction, disclosure or use without specific written authorization of Pulse is strictly forbidden.

Description: DAS Clarity Ceiling Mount Insert

Series: Accessory

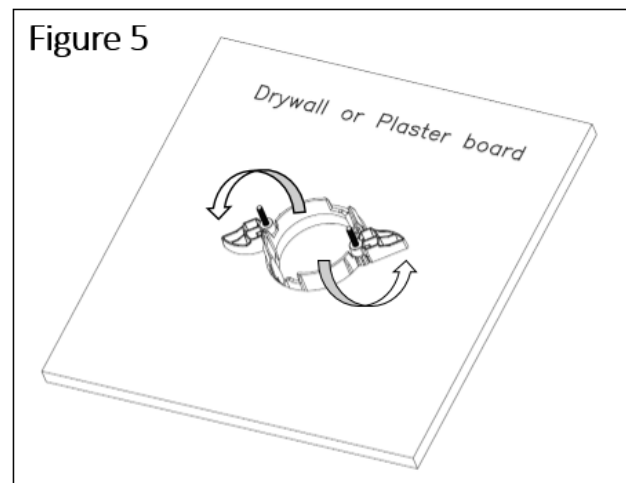
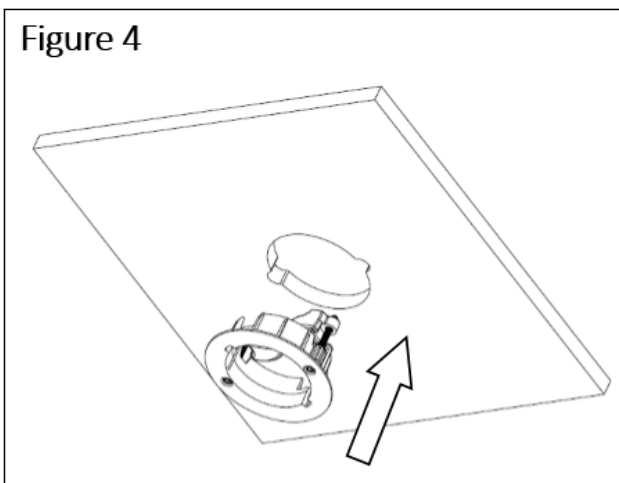
PART NUMBER: : DASCLINSERT

ASSEMBLY



Step 3,

Rotate the 2 clamps to the internal position, and insert mounting sleeve into the hole of drywall and tighten screws until snug. See Figure 4. The clamps will swing out and prevent extraction from the drywall. See Figure 5. The drywall will be clamped tightly by the sleeve assembly.



Issue: 1609 DRAFT RalfYe

In the effort to improve our products, we reserve the right to make changes judged to be necessary.

CONFIDENTIAL AND PROPRIETARY INFORMATION

This document contains confidential and proprietary information of Pulse Electronics, Inc. (Pulse) and is protected by copyright, trade secret and other state and federal laws. Its receipt or possession does not convey any rights to reproduce, disclose its contents, or to manufacture, use or sell anything it may describe. Reproduction, disclosure or use without specific written authorization of Pulse is strictly forbidden.

Description: DAS Clarity Ceiling Mount Insert

Series: Accessory

PART NUMBER: : DASCLINSERT

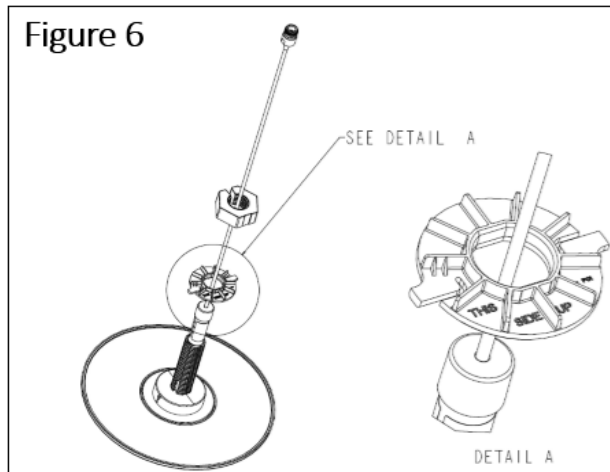
ASSEMBLY

Step 4,

Mount a tab ring onto the antenna and tighten nut firmly. See Figure 6.

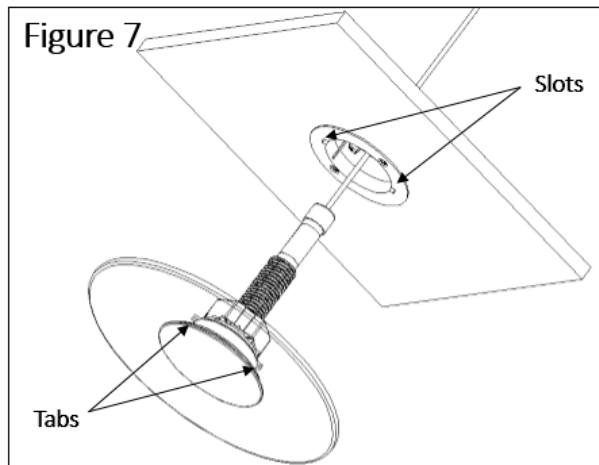
Notes:

1. The original collar in antenna assembly is not needed anymore.
2. Please pay attention the text "THIS SIDE UP" on the tab ring for the assembly direction.



Step 5,

Align tab ring tabs with slots in mounting sleeve and insert antenna into mounting sleeve. See Figure 7.



Issue: 1609 DRAFT RalfYe

In the effort to improve our products, we reserve the right to make changes judged to be necessary.

CONFIDENTIAL AND PROPRIETARY INFORMATION

This document contains confidential and proprietary information of Pulse Electronics, Inc. (Pulse) and is protected by copyright, trade secret and other state and federal laws. Its receipt or possession does not convey any rights to reproduce, disclose its contents, or to manufacture, use or sell anything it may describe. Reproduction, disclosure or use without specific written authorization of Pulse is strictly forbidden.

Description: DAS Clarity Ceiling Mount Insert

Series: Accessory

PART NUMBER: : DASCLINSERT

ASSEMBLY

Step 6,

Twist antenna clockwise 1/8th of a turn to lock in place. Antenna is now fixed in place. See Figure 8.

Note: Antenna is removable from mount sleeve without damage by rotating back 1/8 turn.

