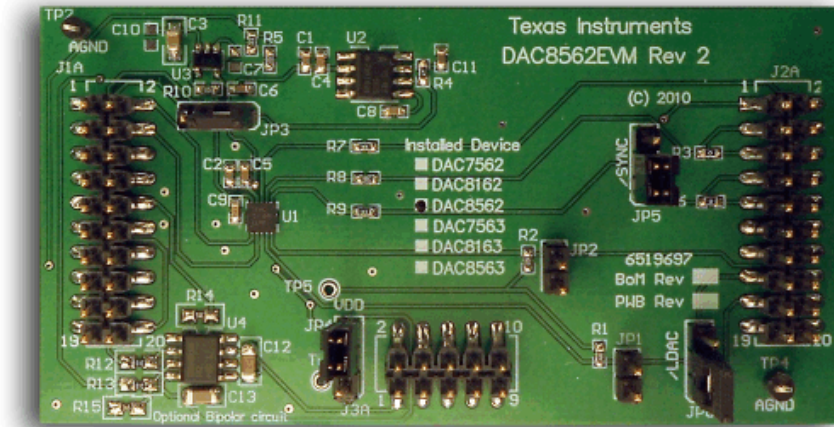


DAC7562EVM, DAC8562EVM



DAC8562EVM

This user's guide describes the characteristics, operation, and use of the DAC8562EVM. The evaluation model (EVM) is an evaluation board for the [DAC7562](#) and [DAC8562](#). The DAC7562 and DAC8562 are low-power, voltage-output, 12- or 16-bit digital-to-analog converters (DACs). These converters are controlled through a serial peripheral interface (SPI) that can operate at clock rates of up to 50MHz. Additionally, these DACs include a 2.5V internal reference voltage (disabled by default), giving a full-scale output range of 5V when placed in a gain of two configuration. The EVM allows evaluation of all aspects of the device and allows user control over every pin on the DAC7562/DAC8562. Complete circuit descriptions, schematic diagrams, and bills of material are included in this document.

The following related documents are available for download through the Texas Instruments web site at <http://www.ti.com>.

EVM-Related Device Data Sheets

Device	Literature Number
DAC7562	SLAS719A
DAC8562	SLAS719A
REF5025	SBOS410D
OPA379	SBOS347D

Contents

1	EVM Overview	3
2	Analog Interface	3
3	Digital Interface	4
4	Power Supplies	5
5	Voltage Reference	6
6	EVM Operation	7
7	Schematics and Layout	9

List of Figures

1	Reference Selection Jumper JP3	6
2	DAC8562EVM Default Jumper Locations	8
3	DAC8562EVM: Top Layer Image	10
4	DAC8562EVM: Bottom Layer Image	10

List of Tables

1	J1: Analog Interface Pinout	3
2	J2.3: Serial Interface Pins	4
3	J3 Configuration: Power-Supply Input	5
4	DAC8562EVM Jumpers	7
5	Bill of Materials	9

1 EVM Overview

1.1 Features

DAC8562EVM:

- Full-featured evaluation board for the DAC7562 or DAC8562
- Onboard optional external reference selection
- Wide selection of digital and I/O voltages
- Hardware or software control of control logic
- Compatible with the TI Modular EVM System
- Onboard optional bipolar circuit configuration (requires installing components)

This manual covers the operation of the DAC8562EVM. For simplicity, the DAC7562 and DAC8562 are referred to as *DACx562* throughout this document; unless otherwise noted, the information applies to either DAC device. Additionally, the abbreviation *EVM* and the term *evaluation module* are synonymous with the DAC8562EVM.

1.2 Introduction

The DACx562 series of devices are 10-pin, 12-, 14-, or 16-bit, low-power, two-channel digital-to-analog converters (DACs) that operates from a single 2.7V to 5.5V supply. These DACs include a 2.5V internal reference voltage (disabled by default), giving a full-scale output range of 5V when placed in a gain of two configuration. The EVM is designed to highlight both the features of the small, 10-pin QFN package that the DACx562 is available in, and the performance of either the 12-bit or 16-bit DAC. Digital communication is controlled through a three-wire SPI protocol allowing for speeds up to 50MHz.

The DAC8562EVM is designed to give the user access to all pins on the DACx562. The evaluation module allows the user to control the DAC logic using onboard jumpers, or digitally through the J2 header. By default, the evaluation module is configured to be used with an onboard 2.5V external reference, but can be easily modified to use the DAC internal reference by changing a jumper setting and enabling the internal reference using software.

The DAC8562EVM is an evaluation module built to the TI Modular EVM System specification. It can be connected to any modular EVM system interface card. The DAC8562EVM does not have an onboard microprocessor and cannot run software by itself. To connect it to a computer, some type of interface is required.

2 Analog Interface

For maximum flexibility, the DAC8562EVM can interface to multiple analog sources. Samtec part numbers SSW-110-22-F-D-VS-K and TSM-110-01-T-DV-P provide a 10-pin, dual-row, header at J1. This header provides access to the analog input and output pins of the DACx562. Consult Samtec at <http://www.samtec.com> or call 1-800-SAMTEC-9 for a variety of mating connector options. [Table 1](#) summarizes the pinouts for analog interface J1.

Table 1. J1: Analog Interface Pinout

Pin Number	Signal	Description
J1.2	V_{OUT-0}	Analog output 0
J1.4	V_{OUT-1}	Analog output 1
J1.20	V_{REFIN}/V_{REFOUT}	External reference source input for V_{REFIN}/V_{REFOUT}
J1.1-1.13 (odd)	GND	Analog ground connection
J1.17-1.19 (odd)	GND	Analog ground connection
J1.6-1.18 (even)	N/A	—
J1.10	N/A	Op amp bipolar output (requires installed components)
J1.12 - J1.18 (even)	N/A	—
J1.15	V_{REF} Buf	Buffered internal reference voltage

The analog interface is populated on both the top and the bottom sides of the evaluation board. All of the output pins of the DACx562 are routed directly to the J1 connector.

The GND pins of the DACx562 are connected directly to the ground of the evaluation board.

The DAC8562EVM is designed to allow the user to choose from using the DACx562 internal reference, the onboard 2.5V REF5025, or a user-supplied external reference source for the DAC. Depending on how the DACx562 is configured, pin J1.20 is either an input or an output. If the DACx562 internal reference is used, then J1.20 is the output of the V_{REFIN}/V_{REFOUT} pin on the DAC. If an external reference is used, other than the onboard REF5025, J1.20 is used to provide the external reference voltage.

Additionally, the evaluation board contains an [OPA379](#) in a buffer configuration to condition the internal reference if the user would like to use the signal to drive another component. The buffered signal is routed to pin J1.15.

If the DACx562 bipolar circuit is installed on the EVM, the output of the installed operational amplifier is routed to pin J1.10 on the J1 connector.

3 Digital Interface

3.1 Serial Peripheral Interface

Samtec part numbers SSW-110-22-F-D-VS-K and TSM-110-01-T-DV-P provide a 10-pin, dual-row, header/socket combination at J2. This header/socket provides access to the digital control data pins from both J2A (top side) and J2B (bottom side) of the connector. Consult Samtec at <http://www.samtec.com> or call 1-800-SAMTEC-9 for a variety of mating connector options. [Table 2](#) describes the serial interface pins.

Table 2. J2.3: Serial Interface Pins

Pin No.	Signal Name	I/O Type	Pull-Up	Function
J2.1	$\overline{\text{SYNC0}}$	In	None	DACx562 $\overline{\text{SYNC}}$ signal. Jumper JP5 determines $\overline{\text{SYNC}}$ pin
J2.3	SCLK	In	None	DACx562 SCLK signal
J2.5	SCLK	In	None	DACx562 SCLK signal
J2.7	$\overline{\text{SYNC1}}$	In	None	DACx562 $\overline{\text{SYNC}}$ signal. Jumper JP5 determines $\overline{\text{SYNC}}$ pin
J2.9	$\overline{\text{SYNC2}}$	In	None	DACx562 $\overline{\text{SYNC}}$ signal. Jumper JP5 determines $\overline{\text{SYNC}}$ pin
J2.11	SDI	In	None	DACx562 DIN signal
J2.15	$\overline{\text{LDAC1}}$	In	High	DACx562 $\overline{\text{LDAC}}$ signal. Jumper JP6 determines $\overline{\text{LDAC}}$ control pin
J2.17	$\overline{\text{LDAC2}}$	In	High	DACx562 $\overline{\text{LDAC}}$ signal. Jumper JP6 determines $\overline{\text{LDAC}}$ control pin
J2.19	$\overline{\text{CLR}}$	In	High	DACx562 $\overline{\text{CLR}}$ signal.
J2.2	Unused	—	—	—
J2.6 to J2.8 (even)	Unused	—	—	—
J2.12 to J2.16 (even)	Unused	—	—	—
J2.20	Unused	—	—	—
J2.4, J2.10, J2.18	GND	In/Out	None	Ground

The DACx562 is controlled through a serial peripheral interface using the pins available on the J2 header. The four SPI signals are connected to the DAC I/O signals through 33 Ω series resistors. The $\overline{\text{SYNC}}$ signal can be routed to one of three pins on the J2 header: J2.1, or J2.7 and J2.9. The SCLK signal is routed to both J2.3 and J2.5. The DIN signal is routed to the J2.11 pin on the J2 header.

There are two static I/O pins, $\overline{\text{LDAC}}$ and $\overline{\text{CLR}}$, from the DACx562 that are routed to the J2 header. Both of signals have weak pull-up resistors to the AVDD power-supply voltage. Either of these signals can be pulled down using hardware jumpers or applying signals to the J2 header. Note that these signals are edge-triggered.

The $\overline{\text{CLR}}$ pin is routed to pin J2.19. The $\overline{\text{LDAC}}$ pin is routed to either J2.15 or J2.17, selectable using the JP6 onboard jumper. Updating the DACx562 output can be completed in one of three different ways. The $\overline{\text{LDAC}}$ pin can be held low, and the output then update immediately following the last SCLK of the data word. Alternatively, the $\overline{\text{LDAC}}$ can be held high, the DAC input register can be written to, and the output then updates once the $\overline{\text{LDAC}}$ signal is brought low. A third technique is to overwrite the $\overline{\text{LDAC}}$ pin using either register settings or DACx562 commands. See the [product data sheet](#) for more information.

4 Power Supplies

J3 is the power-supply input connector. [Table 3](#) lists the configuration details for J3. The voltage inputs to the DAC can be applied directly to the device. The DACx562 requires only one power supply to operate.

Table 3. J3 Configuration: Power-Supply Input

Pin No.	Pin Name	Function	Required
J3.1	+VA	+VA analog supply	Optional
J3.2	-VA	-VA analog supply	Optional
J3.3	+5VA	+5V analog supply	Yes
J3.4	-5VA	-5V analog supply	No
J3.5	DGND	Digital ground input	Yes
J3.6	AGND	Analog ground input	Yes
J3.7	+1.8VD	1.8V digital supply	No
J3.8	+3.3VD	3.3V digital supply	No
J3.9	VD1	Not used	No
J3.10	+5VD	+5V	No

The digital and analog ground inputs are short-circuited internally through a ground plane.

The DAC8562EVM is designed to operate from a single +5V power supply (J3.3). This supply powers the DACx562 itself, and the onboard REF5025 reference voltage source.

The DACx562 can be powered from a wide range of voltages from +2.7V to +5.5V. The onboard REF5025 is powered from the +5VA supply on the J3 header. Jumper JP4 is in place to allow users to choose between the +5VA voltage to power the DAC or a separate, external power supply applied to TP1. This flexibility allows the user to be able to properly power the REF5025 while powering the DAC from any desired voltage within the specified range. The DAC8562EVM is not designed with any filters, so the use of a clean, well-regulated supply is strongly recommended.

The +VA and -VA supplies are only used to power the optional external op amp, U4, and that is only if the bipolar circuit is installed. Currently, the op amp is uninstalled and the EVM board does not require the +VA and -VA supplies. If the op amp is installed, J3.1 and J3.2 must be powered by $\pm 15\text{V}$ in order for the bipolar circuit to be functional.

5 Voltage Reference

The DAC8562EVM has a variety of reference voltage options. The 2.5V internal reference can be used; the onboard REF5025 reference voltage can be used as an external source for the DAC; or the user can input his own external reference voltage to the J1 header. Note that on the evaluation board, there is no additional reference filtering or an op amp to drive the reference. This flexibility allows the user to have the option to drive the reference directly with his own source.

The ability to have the DACx562 use its internal reference allows the V_{REFIN}/V_{REFOUT} to be configured as either an input or an output. When the 2.5V internal reference voltage is used, the pin is an output. When the DACx562 is configured to use an external reference voltage and the internal reference is disabled, the pin is an input. Enabling and disabling the DACx562 internal reference is controlled internally through the DAC registers and can be changed through the SPI communication protocol. Jumper JP3 must be set accordingly, depending on the configuration of the reference voltage.

By default, the ability to have the DACx562 use its internal reference is disabled, and requires an external reference voltage. Jumper JP3 controls which external reference source is used. When JP3 is in the 2-3 position (default), the REF5025 is used. When JP3 is in the 1-2 position, the user can input his own reference voltage to analog header pin J1.20; this reference will then be routed to the DAC8562.

To enable the DACx562 internal reference voltage, make sure that jumper JP3 is either floating or connected in the 1-2 position. This configuration avoids driving the V_{REFIN}/V_{REFOUT} pin with the onboard reference voltage when the DACx562 has the V_{REFIN}/V_{REFOUT} pin configured as an output. That signal is conditioned through an onboard OPA379 before it is routed to pin J1.15 on the J1 header. This option allows the user to drive external components without having to be concerned about the internal reference source/sink capability.

NOTE: Do not place jumper JP3 in the 2-3 position while using the internal reference. If JP3 is in the 2-3 position when the internal reference is used, the user will be attempting to drive the V_{REFIN}/V_{REFOUT} pin externally while it is configured as the internal reference voltage output. This condition may cause permanent damage to the DACx562.



Figure 1. Reference Selection Jumper JP3

6 EVM Operation

This section provides information on the analog input, digital control, and general operating conditions of the DAC8562EVM.

6.1 Analog Output

The DACx562 has two analog outputs that are available at the J1 header. Each of these outputs are referenced to the board ground. Additionally, the J1 header is also used to either input an external reference voltage, or read back the internal reference voltage of the DACx562. Depending on the JP3 configuration and the DACx562 internal reference status, the J1.19 pin may be used to input an external source. The J1.15 pin is used to read back the DAC buffered internal reference when it is enabled.

The DAC8562EVM also has the option to install a bipolar circuit to evaluate using the DACx562 in bipolar applications. After the necessary components are installed, the bipolar output from the external operational amplifier is routed to J1.10.

6.2 Digital Control

The digital control signals can be applied directly to J2 (top or bottom side). The modular DAC8562EVM can also be connected directly to a DSP or microcontroller interface board, such as the MMB0 DSP board available from Texas Instruments.

No specific evaluation software is provided with this EVM. However, various code examples are available that show how to use EVMs with a variety of digital signal processors from Texas Instruments. Check the respective product folders on the [TI web site](http://www.ti.com) or send an e-mail to dataconvapps@list.ti.com for a listing of available code examples. The EVM Gerber files are available on request.

6.3 Default Jumper Settings and Switch Positions

Table 4 lists the jumpers and the functionality of each that is available on the DAC8562EVM.

Table 4. DAC8562EVM Jumpers

Jumper	Name	Description
JP1	$\overline{\text{LDAC}}$ Control	$\overline{\text{LDAC}}$ control pin; pulled high by default. Apply shunt to tie pin to ground.
JP2	$\overline{\text{CLR}}$ Control	$\overline{\text{CLR}}$ control pin; pulled high by default. Apply shunt to tie pin to ground.
JP3	REF Selection	DAC reference selection control
JP4	AVDD Selection	AVDD selection control
JP5	$\overline{\text{SYNC}}$ Control	Routes $\overline{\text{SYNC}}$ control to use either J2.1 or J2.7 and J2.9
JP6	$\overline{\text{LDAC}}$ Control	Routes $\overline{\text{LDAC}}$ control to either J2.15 or J2.17

Figure 2 shows the default jumper conditions for the DAC8562EVM.

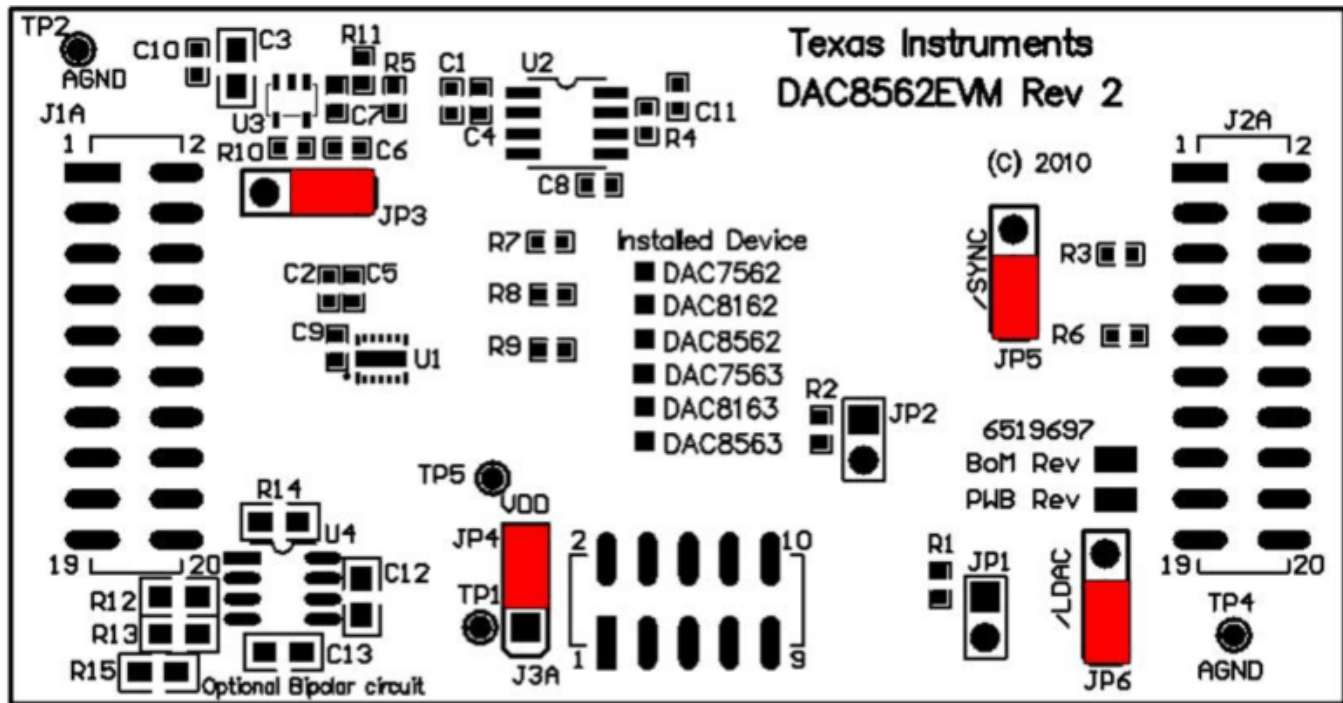


Figure 2. DAC8562EVM Default Jumper Locations

The DAC8562EVM board has six onboard hardware jumpers that are used to control the power options and digital I/O signals. Two position jumpers, JP1 and JP2, are used to control whether to pull the $\overline{\text{LDAC}}$ and $\overline{\text{CLR}}$ signals high or low. Leave the jumpers open to pull the corresponding signal high, or apply a shunt across the jumper to tie the signal low.

JP3 routes where the $V_{\text{REFIN}}/V_{\text{REFOUT}}$ I/O pin on the DACx562 is routed. When JP3 is in its default position, the shunt is placed across pins JP3.2 and JP3.3. This configuration allows the DACx562 to use the onboard REF5025 as the external reference. When JP3 is in the 1-2 position, the user can input an external reference voltage to analog header pin J1.20, which is then routed to the DAC. If the DACx562 internal reference is enabled, the user must ensure that jumper JP3 is either floating or connected in the 1-2 position. The internal reference voltage is then buffered through the OPA379 and routed to J1.20. It is important to not have jumper JP3 in the 2-3 position while using the internal reference. You cannot drive the $V_{\text{REFIN}}/V_{\text{REFOUT}}$ pin externally while it is configured as the internal reference voltage output. Doing so may permanently damage the DAC8562.

The DAC AV_{DD} power source is controlled by jumper JP4. By default, AV_{DD} is powered from J3.3 (JP4 position 1-2). It can also be powered from TP1 if the shunt is placed across pins 2-3.

The $\overline{\text{SYNC}}$ signal can either be routed to the J2.1 pin or the J2.7 and J2.9 pins. This routing option is controlled using the JP5 jumper.

Jumper JP6 selects where to route the $\overline{\text{LDAC}}$ signal. By default, pins JP6.2 and JP6.3 are connected to route the $\overline{\text{LDAC}}$ signal to J2.17. The shunt can be placed across JP6.1 and JP6.2 to route the $\overline{\text{LDAC}}$ signal to J2.15.

7 Schematics and Layout

Schematics for the DAC8562EVM are appended to this user's guide. [Figure 3](#) and [Figure 4](#) are the printed circuit board (PCB) layouts. The bill of materials is provided in [Table 5](#).

7.1 Bill of Materials

NOTE: All components should be compliant with the European Union Restriction on Use of Hazardous Substances (RoHS) Directive. Some part numbers may be either leaded or RoHS. Verify that purchased components are RoHS-compliant. (For more information about TI's position on RoHS compliance, see the [Quality and Eco-Info information on the TI web site](#).)

Table 5. Bill of Materials

Item No.	Qty	Ref Des	Description	Vendor	Part Number
1	3	C1, C2, C11	Capacitor, ceramic, 10 μ F, 6.3V X5R 0603	Murata	GRM188R60J106ME47D
2	1	C3	Capacitor, ceramic, 22 μ F, 6.3V 20% X5R 0805	Murata	GRM21BR60J226ME39L
3	3	C4, C5, C6	Capacitor, ceramic, 0.1 μ F, 16V 10% X7R 0603	Murata	GRM188R71C104KA01D
4	4	C7, C10, C12, C13	Not installed	—	—
5	1	C8	Capacitor, ceramic, 1.0 μ F, 16V 10% X5R 0603	Murata	GRM188R61C105KA93D
6	1	C9	Capacitor, ceramic, 2.2 μ F, 10V 20% X5R 0603	Murata	GRM188R61A225ME34D
7	2	J1A, J2A (Top Side)	10-pin, dual row, SM header (20 Pos.)	Samtec	TSM-110-01-T-DV-P
8	2	J1B, J2B (Bottom Side)	10-pin, dual row, SM header (20 Pos.)	Samtec	SSW-110-22-F-D-VS-K
9	1	J3A (Top Side)	5-pin, dual row, SM header (10 Pos.)	Samtec	TSM-105-01-T-DV-P
10	1	J3B (Bottom Side)	5-pin, dual row, SM header (10 Pos.)	Samtec	SSW-105-22-F-D-VS-K
11	2	JP1, JP2	Header strip, 2 pin (1x2)	Samtec	TSW-102-07-L-S
12	4	JP3, JP4, JP5, JP6	Header strip, 3 pin (1x3)	Samtec	TSW-103-07-L-S
13	3	R1, R2, R10	Resistor, 10k Ω 1/10W 5% 0603 SMD	Panasonic	ERJ-3GEYJ103V
14	2	R3, R6	Resistor, 0 Ω 1/10W 5% 0603 SMD	Panasonic	ERJ-3GEY0R00V
15	1	R4	Resistor, 0.47 Ω 1/10W 5% 0603	Panasonic	ERJ-3RQJR47V
16	1	R5	Resistor, 2.0k Ω 1/10W 5% 0603 SMD	Panasonic	ERJ-3GEYJ202V
17	4	R7, R8, R9, R11	Resistor, 33 Ω 1/10W 5% 0603 SMD	Panasonic	ERJ-3GEYJ330V
18	4	R12, R13, R14, R15	Not installed	—	—
19	3	TP1, TP3, TP5	Test Point, Single .025 pin, red	Keystone	5000
20	2	TP2, TP4	Test Point, Single .025 pin, black	Keystone	5001
21	1	U1	12-bit, dual-channel, high-precision DAC, 10-pin QFN 16-bit, dual-channel, high-precision DAC, 10-pin QFN	Texas Instruments	DAC7562SDSC or DAC8562SDSC ⁽¹⁾
22	1	U2	Precision voltage reference 2.5V, 8-SOIC	Texas Instruments	REF5025ID
23	1	U3	IC Op Amp GP R-R 90kHz, SOT23-5	Texas Instruments	OPA379AIDBVT
24	1	U4	Not installed	—	—
25	7	N/A	0.100 Shunt, black	Samtec	SNT-100-BK-T

⁽¹⁾ The device installed at location U1 depends on the EVM purchased.

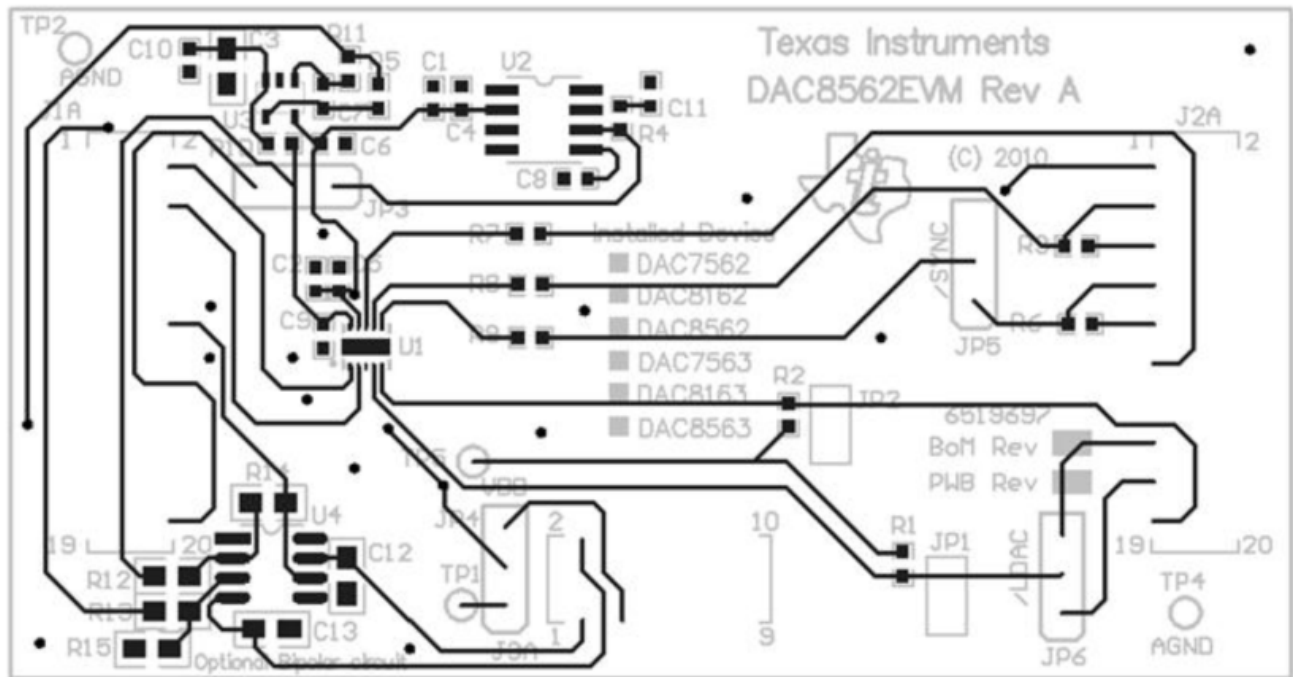


Figure 3. DAC8562EVM: Top Layer Image

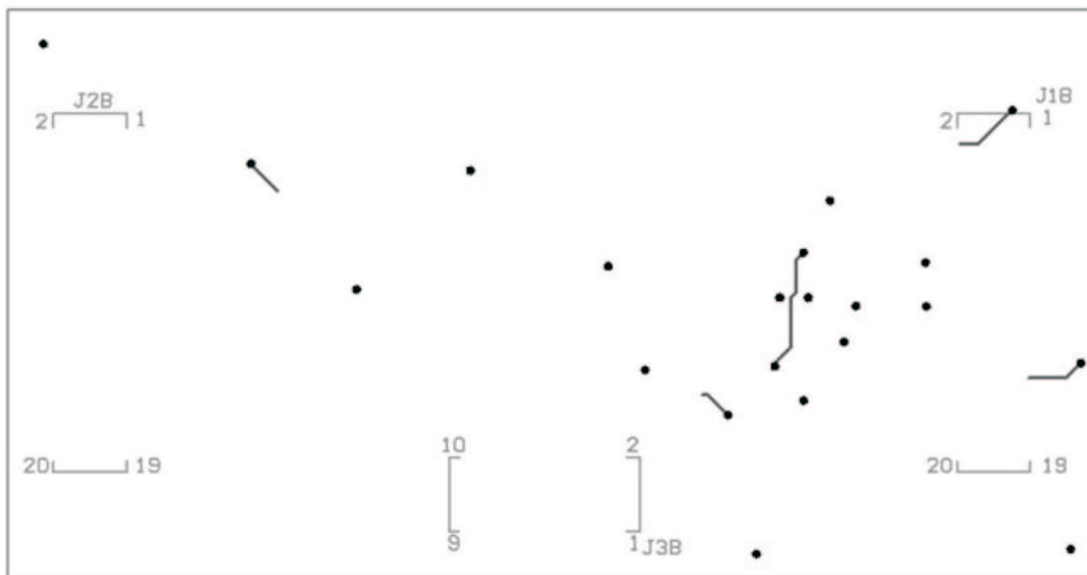


Figure 4. DAC8562EVM: Bottom Layer Image

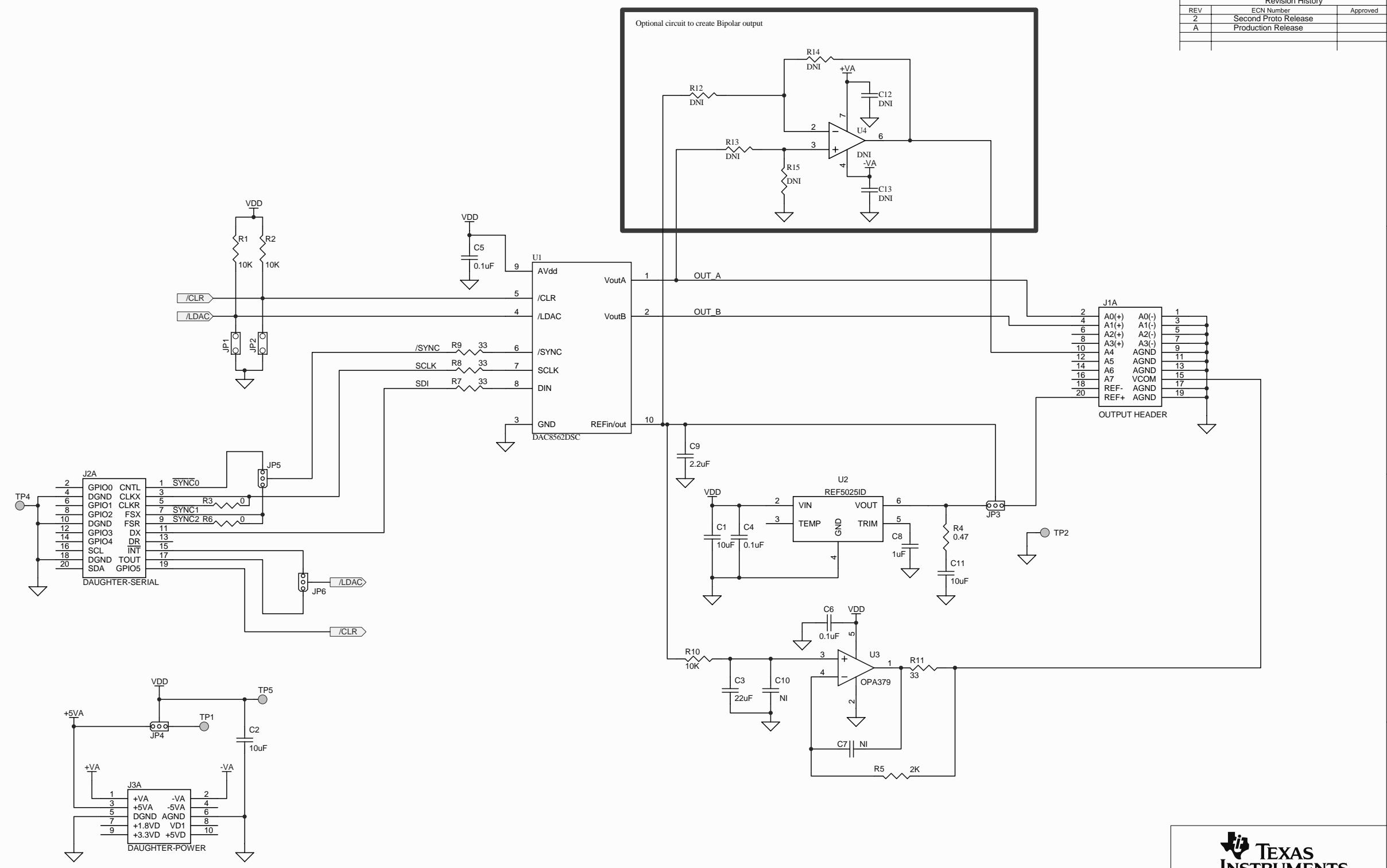
Revision History

Changes from Original (May, 2011) to A Revision	Page
---	------

- Updated document title to reflect DAC7562EVM device 1
-

NOTE: Page numbers for previous revisions may differ from page numbers in the current version.

Revision History		
REV	ECN Number	Approved
2	Second Proto Release	
A	Production Release	



TEXAS INSTRUMENTS
 12500 TI Boulevard, Dallas, Texas 75243

Title: **DAC8562 EVB**

Engineer:	DOCUMENTCONTROL #	REV: A
Drawn By:	DATE: 20-Dec-2010	SIZE: SHEET: 1 OF 1
FILE: DAC8562_R1.Sch		

Evaluation Board/Kit Important Notice

Texas Instruments (TI) provides the enclosed product(s) under the following conditions:

This evaluation board/kit is intended for use for **ENGINEERING DEVELOPMENT, DEMONSTRATION, OR EVALUATION PURPOSES ONLY** and is not considered by TI to be a finished end-product fit for general consumer use. Persons handling the product(s) must have electronics training and observe good engineering practice standards. As such, the goods being provided are not intended to be complete in terms of required design-, marketing-, and/or manufacturing-related protective considerations, including product safety and environmental measures typically found in end products that incorporate such semiconductor components or circuit boards. This evaluation board/kit does not fall within the scope of the European Union directives regarding electromagnetic compatibility, restricted substances (RoHS), recycling (WEEE), FCC, CE or UL, and therefore may not meet the technical requirements of these directives or other related directives.

Should this evaluation board/kit not meet the specifications indicated in the User's Guide, the board/kit may be returned within 30 days from the date of delivery for a full refund. **THE FOREGOING WARRANTY IS THE EXCLUSIVE WARRANTY MADE BY SELLER TO BUYER AND IS IN LIEU OF ALL OTHER WARRANTIES, EXPRESSED, IMPLIED, OR STATUTORY, INCLUDING ANY WARRANTY OF MERCHANTABILITY OR FITNESS FOR ANY PARTICULAR PURPOSE.**

The user assumes all responsibility and liability for proper and safe handling of the goods. Further, the user indemnifies TI from all claims arising from the handling or use of the goods. Due to the open construction of the product, it is the user's responsibility to take any and all appropriate precautions with regard to electrostatic discharge.

EXCEPT TO THE EXTENT OF THE INDEMNITY SET FORTH ABOVE, NEITHER PARTY SHALL BE LIABLE TO THE OTHER FOR ANY INDIRECT, SPECIAL, INCIDENTAL, OR CONSEQUENTIAL DAMAGES.

TI currently deals with a variety of customers for products, and therefore our arrangement with the user **is not exclusive.**

TI assumes **no liability for applications assistance, customer product design, software performance, or infringement of patents or services described herein.**

Please read the User's Guide and, specifically, the Warnings and Restrictions notice in the User's Guide prior to handling the product. This notice contains important safety information about temperatures and voltages. For additional information on TI's environmental and/or safety programs, please contact the TI application engineer or visit www.ti.com/esh.

No license is granted under any patent right or other intellectual property right of TI covering or relating to any machine, process, or combination in which such TI products or services might be or are used.

FCC Warning

This evaluation board/kit is intended for use for **ENGINEERING DEVELOPMENT, DEMONSTRATION, OR EVALUATION PURPOSES ONLY** and is not considered by TI to be a finished end-product fit for general consumer use. It generates, uses, and can radiate radio frequency energy and has not been tested for compliance with the limits of computing devices pursuant to part 15 of FCC rules, which are designed to provide reasonable protection against radio frequency interference. Operation of this equipment in other environments may cause interference with radio communications, in which case the user at his own expense will be required to take whatever measures may be required to correct this interference.

EVM Warnings and Restrictions

It is important to operate this EVM within the input voltage range of 0V to 5.5V and the output voltage range of 0V to 5.5V.

Exceeding the specified input range may cause unexpected operation and/or irreversible damage to the EVM. If there are questions concerning the input range, please contact a TI field representative prior to connecting the input power.

Applying loads outside of the specified output range may result in unintended operation and/or possible permanent damage to the EVM. Please consult the EVM User's Guide prior to connecting any load to the EVM output. If there is uncertainty as to the load specification, please contact a TI field representative.

During normal operation, some circuit components may have case temperatures greater than +30°C. The EVM is designed to operate properly with certain components above +85°C as long as the input and output ranges are maintained. These components include but are not limited to linear regulators, switching transistors, pass transistors, and current sense resistors. These types of devices can be identified using the EVM schematic located in the EVM User's Guide. When placing measurement probes near these devices during operation, please be aware that these devices may be very warm to the touch.

Mailing Address: Texas Instruments, Post Office Box 655303, Dallas, Texas 75265
Copyright © 2011, Texas Instruments Incorporated

IMPORTANT NOTICE

Texas Instruments Incorporated and its subsidiaries (TI) reserve the right to make corrections, modifications, enhancements, improvements, and other changes to its products and services at any time and to discontinue any product or service without notice. Customers should obtain the latest relevant information before placing orders and should verify that such information is current and complete. All products are sold subject to TI's terms and conditions of sale supplied at the time of order acknowledgment.

TI warrants performance of its hardware products to the specifications applicable at the time of sale in accordance with TI's standard warranty. Testing and other quality control techniques are used to the extent TI deems necessary to support this warranty. Except where mandated by government requirements, testing of all parameters of each product is not necessarily performed.

TI assumes no liability for applications assistance or customer product design. Customers are responsible for their products and applications using TI components. To minimize the risks associated with customer products and applications, customers should provide adequate design and operating safeguards.

TI does not warrant or represent that any license, either express or implied, is granted under any TI patent right, copyright, mask work right, or other TI intellectual property right relating to any combination, machine, or process in which TI products or services are used. Information published by TI regarding third-party products or services does not constitute a license from TI to use such products or services or a warranty or endorsement thereof. Use of such information may require a license from a third party under the patents or other intellectual property of the third party, or a license from TI under the patents or other intellectual property of TI.

Reproduction of TI information in TI data books or data sheets is permissible only if reproduction is without alteration and is accompanied by all associated warranties, conditions, limitations, and notices. Reproduction of this information with alteration is an unfair and deceptive business practice. TI is not responsible or liable for such altered documentation. Information of third parties may be subject to additional restrictions.

Resale of TI products or services with statements different from or beyond the parameters stated by TI for that product or service voids all express and any implied warranties for the associated TI product or service and is an unfair and deceptive business practice. TI is not responsible or liable for any such statements.

TI products are not authorized for use in safety-critical applications (such as life support) where a failure of the TI product would reasonably be expected to cause severe personal injury or death, unless officers of the parties have executed an agreement specifically governing such use. Buyers represent that they have all necessary expertise in the safety and regulatory ramifications of their applications, and acknowledge and agree that they are solely responsible for all legal, regulatory and safety-related requirements concerning their products and any use of TI products in such safety-critical applications, notwithstanding any applications-related information or support that may be provided by TI. Further, Buyers must fully indemnify TI and its representatives against any damages arising out of the use of TI products in such safety-critical applications.

TI products are neither designed nor intended for use in military/aerospace applications or environments unless the TI products are specifically designated by TI as military-grade or "enhanced plastic." Only products designated by TI as military-grade meet military specifications. Buyers acknowledge and agree that any such use of TI products which TI has not designated as military-grade is solely at the Buyer's risk, and that they are solely responsible for compliance with all legal and regulatory requirements in connection with such use.

TI products are neither designed nor intended for use in automotive applications or environments unless the specific TI products are designated by TI as compliant with ISO/TS 16949 requirements. Buyers acknowledge and agree that, if they use any non-designated products in automotive applications, TI will not be responsible for any failure to meet such requirements.

Following are URLs where you can obtain information on other Texas Instruments products and application solutions:

Products

Audio	www.ti.com/audio
Amplifiers	amplifier.ti.com
Data Converters	dataconverter.ti.com
DLP® Products	www.dlp.com
DSP	dsp.ti.com
Clocks and Timers	www.ti.com/clocks
Interface	interface.ti.com
Logic	logic.ti.com
Power Mgmt	power.ti.com
Microcontrollers	microcontroller.ti.com
RFID	www.ti-rfid.com
RF/IF and ZigBee® Solutions	www.ti.com/lprf

Applications

Communications and Telecom	www.ti.com/communications
Computers and Peripherals	www.ti.com/computers
Consumer Electronics	www.ti.com/consumer-apps
Energy and Lighting	www.ti.com/energy
Industrial	www.ti.com/industrial
Medical	www.ti.com/medical
Security	www.ti.com/security
Space, Avionics and Defense	www.ti.com/space-avionics-defense
Transportation and Automotive	www.ti.com/automotive
Video and Imaging	www.ti.com/video
Wireless	www.ti.com/wireless-apps

TI E2E Community Home Page

e2e.ti.com

Mailing Address: Texas Instruments, Post Office Box 655303, Dallas, Texas 75265
Copyright © 2011, Texas Instruments Incorporated