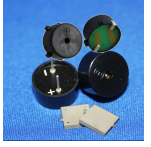


## CT43P-35W300-1

Rev. 0-2020  
RoHS3 & REACH  
Piezoelectric Sound Transducers



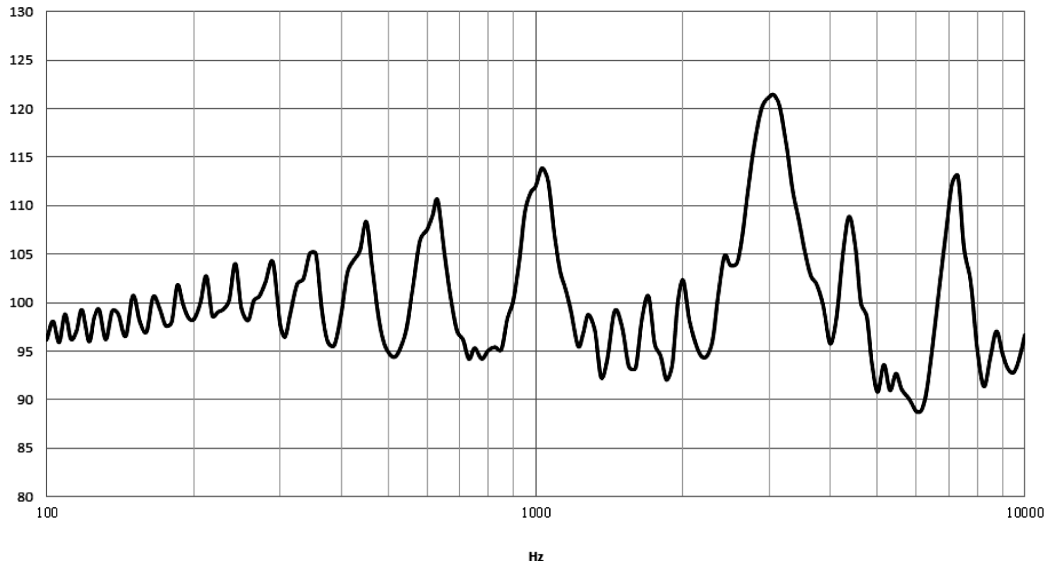
### Operating Characteristics

#### ELECTRICAL

Rated Voltage	30 Vp-p
Max Operating Voltage	35 Vp-p
Max Current at V Rated	8 mA
Capacitance	40000 pF ± 30 % 120 Hz

#### ACOUSTIC

Min SPL at V Rated	110 dB
Test Conditions	30 cm
$f_o$	3000 ± 500 Hz



### Physical Characteristics

#### MATERIALS

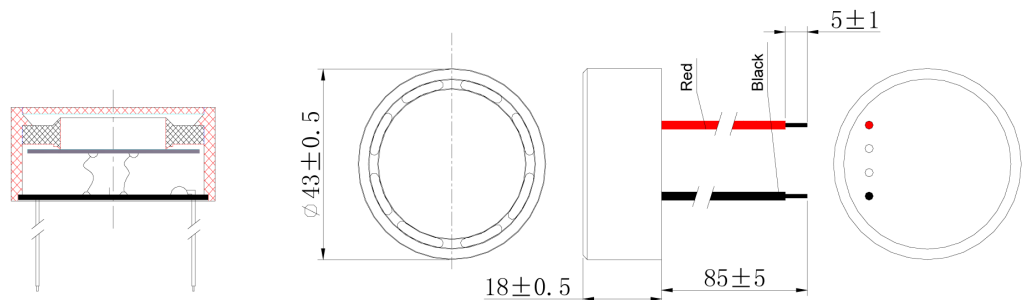
Housing	Black PBT
Diaphragm	Stainless Steel
Wires	UL1007, 26AWG

#### TEMPERATURE RANGES

Operating	-30 to +70 °C
Storage	-40 to +85 °C

Weight 20 g

Unless otherwise specified, tolerance: ± 0.5(unit:mm)



Revision	Description	By	Date
0-2020	Initial Specification Sheet	JL	2020-04-16

Warranty: For a period of one (1) year from date of shipping under normal operations conditions This warranty does not apply to products damaged through misuse, abuse, improper installation, alteration, rework, or attempt to repair.