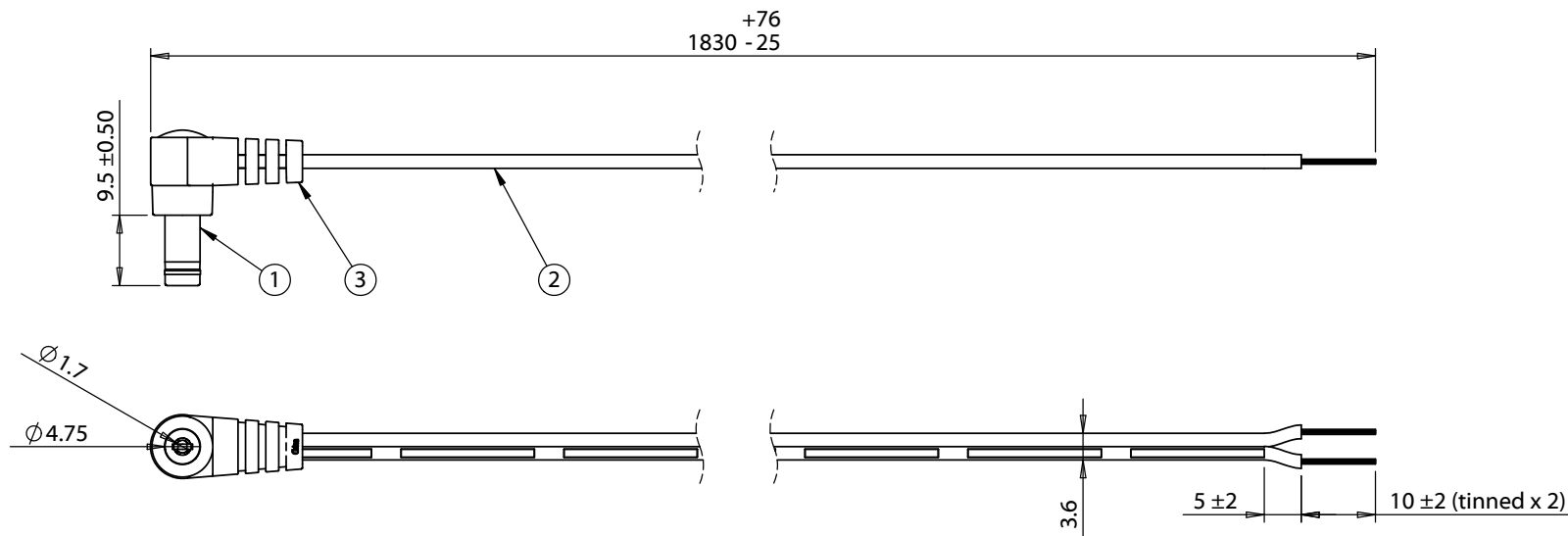


ITEM NO.	PART NUMBER	DESCRIPTION	QTY.	COMPONENT NOTES
1	50-00387	Connector, dc plug, 4.75x1.7xL19 mm, brass nickel plated, yellow insulator	1	
2	30-00003	Wire, 2C BC, 24 AWG, UL2468, 300V, 80C, 3.6 mm, VW-1, PVC, 76A	1	
3	24-00062	Overmold, PVC, black	1	



Notes:

Operating temperature: -10° to 80°C

Hi-Pot test: 600 Vac, 0.5 mA, 1 second

Wiring Diagram	
50-00387	wire color
center	black with stripe
sleeve	black

Revision:	Date:	Description:	Prepared:	Notes:	<h1>TENSILITY</h1> <p>tel 1.541.323.3228 800 877.670.7118 fax 1.541.323.4202 web tensility.com</p>
A1	8/31/2011	Updated description, connector, and wire information	GL 2016.05.06 08:03:32 -07'00'	RoHS compliant	
A2	1/23/2013	Added temperature rating	Verified: LA	Function test: no open, no short circuit, no intermittent	
A3	1/25/2013	Updated rating	Dimensions are in millimeters. Tolerances: X: ± 0.5 mm X.X: ± 0.3 mm X.XX: ± 0.05 mm	Description: Cable, 1830 mm, 4.75x1.7x9.5 mm, 90° 50-00387 dc plug to stripped tinned, 24 AWG, 30-00003 wire	
A4	10/9/2013	Changed connector to 50-00384			
A5	11/1/2013	Changed connector to 50-00387			Size: A Part number: 053-0198R (CA-2199) Scale: 1:1

