

LED Driver Surge Protection PREMIUM

20kV U_{oc} 10kA I_n 25kA I_{max}

Hardwired Series



Applications

- Highway & Street lighting
- Parking Lots & Pathways
- Bus & Train Depot Lighting
- Digital Signs
- Parking Garages & Tunnels

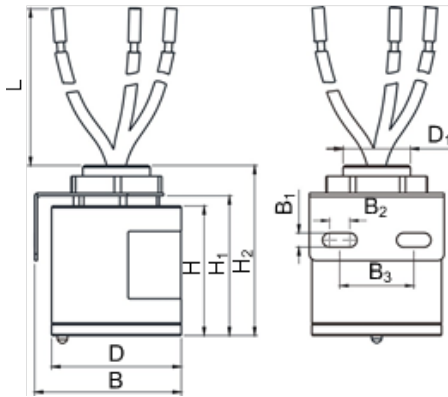
**GDT – optional gas discharge tube / MOV hybrid circuit to eliminate leakage and follow on current extending the life of the surge protector.*

Features

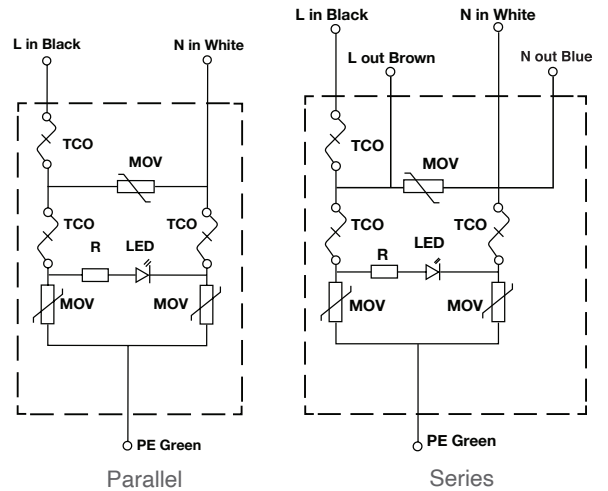
- Small Footprint, Nipple Mount Option
- Series or Parallel Connection
- L-N, L-G, N-G Protection
- Safety Thermal Fusing
- Diagnostic Light
- Mounting Bracket
- 10-Year Product Warranty
- Lifetime Warranty for GDT* Models
- IP 66 Rated

Dimensional Drawing (in)

L	6.00
H	1.50
H ₁	1.61
H ₂	1.97
D	1.50
D ₁	1.10
B	1.71
B ₁	0.17
B ₂	0.24
B ₃	0.87



Wiring Diagram



Product Model	Operating Voltage	I_n	I_{MAX}	U_{oc}	MCOV	Clamp Voltage	Thermal Fusing	3-Mode Protection	Gas Discharge Tube	Green Diagnostic Light	Mounting Bracket	Operating Temperature	Series or Parallel
AP10P277GH	120V-277V	10kA	25kA	20kV	320V	1300V	✓	✓	✓	✓	✓	-40°C to +70°C	Parallel
AP10S277GH	120V-277V	10kA	25kA	20kV	320V	1300V	✓	✓	✓	✓	✓	-40°C to +70°C	Series
AP10P277LH	120V-277V	10kA	25kA	20kV	320V	1150V	✓	✓		✓	✓	-40°C to +70°C	Parallel
AP10S277LH	120V-277V	10kA	25kA	20kV	320V	1150V	✓	✓		✓	✓	-40°C to +70°C	Series
AP10P480GH	480V	10kA	25kA	20kV	550V	1800V	✓	✓	✓	✓	✓	-40°C to +70°C	Parallel
AP10S480GH	480V	10kA	25kA	20kV	550V	1800V	✓	✓	✓	✓	✓	-40°C to +70°C	Series
AP10P480LH	480V	10kA	25kA	20kV	550V	1600V	✓	✓		✓	✓	-40°C to +70°C	Parallel
AP10S480LH	480V	10kA	25kA	20kV	550V	1600V	✓	✓		✓	✓	-40°C to +70°C	Series