

1

2

3

4

5

6

7

A

A

B

B

C

C

D

D

E

E

F

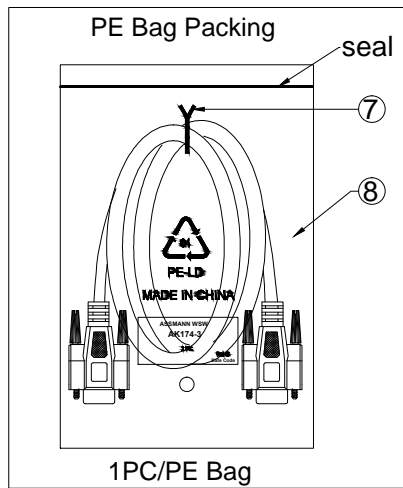
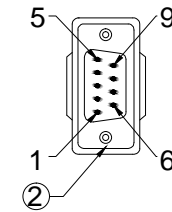
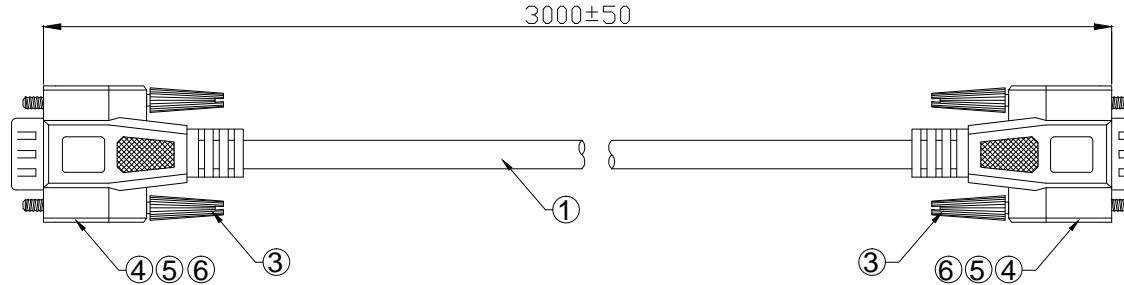
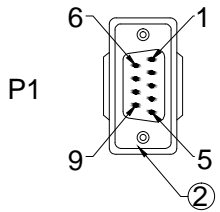
F

G

G

H

H



① PIN ASSIGNMENT	
P1	P2
1	1
2	2
3	3
4	4
5	5
6	6
7	7
8	8
9	9
Shell	Shell

Electrical test:

1. 100% short, open, miss wire test
2. Conduct resistance: 2 Ohm max.
3. Insulator resistance: 5Mohm min.
4. Hi-Pot: 300V DC/10ms

NO.	NAME.	Q'TY	SPECIFICATION
⑧	PE Bag	1pcs	Clear Print black "MADE IN CHINA"+ "1PC"
⑦	Tie	1pcs	White tie
⑥	Outermold	NA	PVC 45P Beige(BG002)
⑤	Innermold	NA	LD-PE
④	Tube	2pcs	Heat shrink tube black OD:Ø1.5*L15mm
③	Screw	4pcs	Screw #4-40UNC D-E L=32.5mm Nickel plated Insulator color:Beige(BG002)
②	CONN	2pcs	DB 9Pin male,Pin:G/F Shell-Nickel Insulator color:Blue solder type
①	Cable	1pcs	No UL 28AWG(7/0.12TC)*9C+D+AL/Mylar Jacket PVC,Beige(BG002) OD:5.0mm

RoHS compliant  
Unit:mm

Scale	Free				Date	Name	Customer-No.
TOLERANCE					Drawn	05.04.2016	Amy
					Approved	05.04.2016	Amy
							ASSMANN WSW-No. <b>AK174-3</b>
DIM	TOL	①	Update pin assignment	20.12.2018	Xavier	Drawing-No. <b>ASS 7605 CA rev01</b>	
		②	Drawn	05.04.2016	Amy	Replace Sheet	
Angle	TOL	Id.	Modification	Date	Name		



1

2

3

4

5

6

7