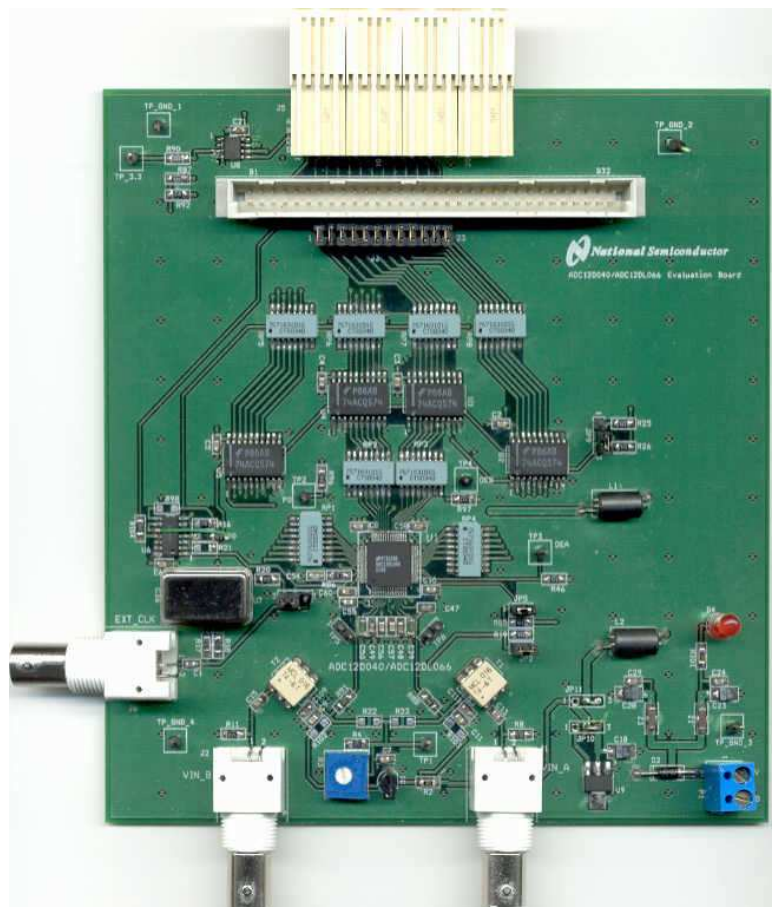


ADC12D040, ADC11DL066, ADC12DL066 - A/D Converters with Internal Reference and Sample & Hold

Evaluation Board User's Guide	
ADC12D040 Dual 12-Bit, 40 MSPS, 5 Volt, 600 mW	
ADC11DL066 Dual 11-Bit, 66 MSPS 3.3 Volt, 862 mW	
ADC12DL066 Dual 12-Bit, 66 MSPS 3.3 Volt, 862 mW	



Contents

1	Introduction	2
2	Board Assembly	3
3	Quick Start	3
4	Functional Description	4
4.1	Input (signal conditioning) Circuitry	4
4.2	ADC Reference Circuitry	5
4.3	Digital Data Output	5
4.4	Power Supply Connections	5
4.5	Power Requirements	5
5	Software Operation and Settings	5
6	Evaluation Board Specifications	6
7	Hardware Schematic	6
8	ADC12D040 / ADC12DL066 Evaluation Board Bill of Materials	7
Appendix A	9

List of Figures

1	Component and Test Point Locations	3
2	ADC12D040 / ADC12DL066 Evaluation Board Schematic	6

List of Tables

1	Jumper Functions	4
2	Bill of Materials	7
3	Test Points on the ADC12D040/ADC11DL066/ADC12DL066 Evaluation Board	9
4	Selection Jumpers on the ADC12D040/ADC11DL066/ADC12DL066 Evaluation Board	10
5	P1: Connector - Power Supply Connections	10
6	J3: Latch Outputs	10
7	J5: Future Bus connector for use with WAVEVSN BRD 4.0 Data Capture Board	11

1 Introduction

The ADC12D040EVAL, the ADC11DL066EVAL and the ADC12DL066EVAL Design Kits (consisting of the ADC12D040, ADC11DL066 or the ADC12DL066 Evaluation Board, this User's Guide and the WaveVision5 Data Capture Board and its User's Guide and WaveVision5 software) are designed to ease evaluation and design-in of Texas Instruments's ADC12D040 dual Analog-to-Digital Converter, which can operate at sample rates up to 40 Msps, the ADC11DL066 or the ADC12DL066 dual 12-bit Analog-to-Digital Converters, which operate at sample rates up to 66 Msps. Further reference in this User's Guide to the ADC12D040 is meant to also include the ADC11DL066 and the ADC12DL066 and references to the ADC12DL066 include the ADC11DL066, unless otherwise specified or implied.

The evaluation board can be used in either of two modes. In the Manual mode, suitable test equipment, such as a logic analyzer, can be used with the board to evaluate the ADC12D040 performance.

In the Computer or Automatic mode, evaluation is simplified by connecting the board to Texas Instruments Data Capture Boards (order number WAVEVSN BRD 4.0), which is connected through a USB communication port to a personal computer running WaveVision5 software. The WaveVision5 program can be downloaded free from the web at <http://www.ti.com/adc>.

The WaveVision5 software operates under Microsoft Windows. The signal at the two the Analog Inputs is digitized and can be captured and displayed on a PC monitor as a dynamic waveform schematic and is also available at the FutureBus connector J5. See [Figure 2](#).

Upon command, the software will perform an FFT on the captured data. This FFT plot also shows dynamic performance in the form of SNR, SINAD, THD, SFDR and ENOB.

The Signal at the Analog Inputs (J1 for input VIN_A and J2 for input VIN_B) are available at differential Test Points TP6 and TP5 respectively. These signals can be viewed with a Differential Probe.

The ADC12D040 can operate with an external reference or with its internal reference. Accordingly, jumper JP2 is used to select use of the ADC internal reference or the separate reference provided on the evaluation board. The internal reference is used with a jumper on JP2. The external reference on the board is used when the jumper on J2 is removed. Provision is made for adjustment of the external Reference Voltage, V_{REF} , with R3. This voltage is regulated with an LM4040-2.5 reference for the ADC12D040, or an LM4140-1.2 reference for the ADC12DL066, and can be set to values between 0.8V to 2.5V for the ADC12D040 and to values between 0.4V and 1.2V for the ADC12DL066.

2 Board Assembly

The ADC12D040 evaluation board comes fully assembled and ready for use. Refer to the Bill of Materials for a description of components, to [Figure 1](#) for major component placement and to [Figure 2](#) for the Evaluation Board schematic.

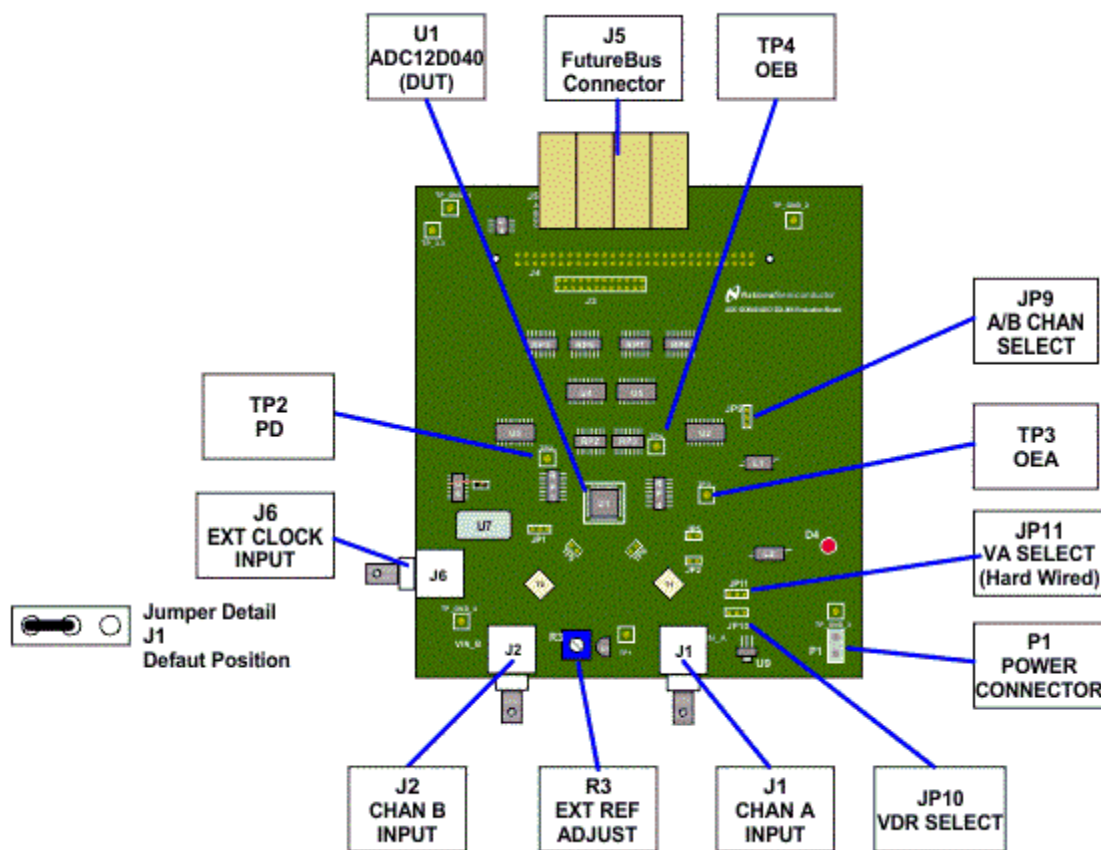


Figure 1. Component and Test Point Locations

3 Quick Start

Refer to [Figure 1](#) for locations of test points and major components.

1. Connect a clean analog (not switching) +5V power source to Power Connector P1.
2. Set the output amplitude of the clock signal generator, if used, to 3 V_{P-P} for the ADC12D040 or to 2 V_{P-P} for the ADC12DL066 and the frequency to the desired sample rate.
3. Use R3 to set the reference voltage (V_{REF}) at TP1 to +2.0V \pm 0.05 for the ADC12D040 or to 1.0V \pm 0.03V for the ADC12DL066. To use the ADC internal reference, verify a shorting jumper is placed on JP2.

4. Connect a signal source of 2.0 V_{P-P} amplitude for the ADC12D040 or 1.0 V_{P-P} for the ADC12DL066 from a suitable 50- Ω source (such as the Agilent 8644B synthesizer) to Analog Input BNC connector J1. The ADC input signal can be observed at TP6.
Note: The signal to J1 should be applied through a bandpass filter to eliminate the noise and harmonics commonly associated with signal sources. Even the best signal generators can not do justice to a 12-bit ADC without such a filter. On the other hand, even a good bandpass filter will not eliminate noise near its center frequency.
5. Put a jumper on JP5 to get an offset binary output from the ADC12D040. Remove any jumper from JP5 for 2's complement output format.
6. Adjust the input signal amplitude as needed to ensure that the differential signal at TP6 is close to but does not exceed 2.0 V_{P-P} for ADC12D040 or 1.0 V_{P-P} for ADC12DL066 from each side of TP6 to ground.
7. Check to be sure the correct frequency TTL oscillator is in socket U7, or apply an external 50- Ω , low jitter, signal source to BNC J6. The amplitude of this signal should be between 2.5 and 3.3 V_{P-P} . If using an external source, remove the oscillator from U7. If using an oscillator at U7, remove the signal source from J6. The presence of a second oscillator source could add noise to the conversion process. Turn on the power.
8. The digitized signal is available at pins A4 through A18 and B4 through B15 of J5. See board schematic of [Figure 2](#).
9. Open the WaveVision 5 software
10. Select the WaveVision data format (Offset Binary or 2's Complement) from the Signal Sources Tab on the right side of the screen.
11. The setup is now ready to capture data in the WaveVision 5 Software

4 Functional Description

[Table 1](#) describes the function of the various jumpers on the ADC12D040 evaluation board. The Evaluation Board schematic is shown in [Figure 2](#).

Table 1. Jumper Functions

Jumper	Pins 1 & 2
JP1	Short pins 2-3 to select the on-board XO (U7) as the sampling clock source Short pins 1-2 to select the signal source connected to J6 as the sampling clock source
JP2	Open to use external reference Short to use on-chip reference
JP5	Short for offset binary output Open for 2's complement
JP9	Should be hard-wired to short pins 1, 2, and 3 together
JP10	ADC12D040EVAL must have pins 1-2 shorted ADC12DL066EVAL must have pins 2-3 shorted
JP11	Short pins 1-2 for output driver supply to be same as the ADC12D040 core supply. Short pins 2-3 for 3.3V supply for the ADC12D040 output drivers. Hard-wired for ADC12DL066

4.1 Input (signal conditioning) Circuitry

The input signal to be digitized should be applied to BNC J1 for testing Channel A of the ADC or to BNC J2 for testing Channel B.

The 50 Ω inputs J1 and J2 are intended to accept low-noise sine wave signals of 2.0 Volt peak-to-peak amplitude for the ADC12D040 or 1.0 Volt peak-to-peak for the ADC12DL066. To accurately evaluate dynamic performance, the input test signal will have to come from a high quality signal source (such as the Agilent 8644B) and be passed through a high-quality bandpass filter with a 60 dB minimum stop band attenuation. Even the best generators available do not provide a pure enough sine wave to properly evaluate a high resolution ADC. Likewise, even with a good filter, apparent performance will still depend upon the signal source used.

Signal transformers T1 and T2 provide single-ended to differential conversion for the ADC12D040 inputs. The common mode voltage at the ADC input comes from the reference voltage on the evaluation board through R22 and R23.

Test points TP6 and TP5 may be used to observe the ADC input signals with differential probes. No scope or other test equipment should be connected to TP6 or to TP5 while gathering data.

NOTE: If input frequency components above 50 MHz are required, remove capacitors C14 & C19 and C17 & C20 at the ADC differential input pins. These capacitors are located on the back of the board.

4.2 ADC Reference Circuitry

These ADCs have an internal reference but can use an external reference as well. An adjustable reference circuit is provided on this board. To use the external voltage reference, leave JP2 open. To use the on-chip voltage reference, short the pins of JP2.

The evaluation board reference circuit will generate a reference voltage that can be adjusted within the nominal range of 0.8 to 2.5 Volts for the ADC12D040 or 0.4 to 1.3 Volts for the ADC12DL066. The ADC12D040 will operate with V_{REF} in the range of 1.0 to 2.2 Volts, with a nominal value of 2.0 Volts while the ADC12DL066 will operate with V_{REF} in the range of 0.8 to 1.2 Volts, with a nominal value of 1.0 Volt. The external reference voltage can be monitored at test point TP1 and is set with R3.

ADC Clock Circuit

The crystal oscillator provided on the evaluation board is selected by shorting pins 2 and 3 of JP1. It is best to remove any external signal generator when using this oscillator to reduce any unnecessary noise.

This board will also accept a clock signal from an external source by connecting that source to BNC J6 and shorting pins 1 and 2 of JP1. A very stable, low jitter source, such as the Agilent 8644B or equivalent, should be used for the clock signal. An a.c. coupled circuit together with a d.c. biased resistive divider is provided so the board can accept a 50 Ohm signal source in the range of 2.2 to 2.5V_{p,p} to drive this input. It is best to remove the oscillator at U7 when using an external clock source, or to remove the external source when using U7, to reduce any unnecessary noise.

4.3 Digital Data Output

When using this evaluation board with a WaveVision 5 Data Capture Bboard, the 12-bit ADC12D040 output on both channels may be monitored at J3.

To cause the ADC outputs to be straight binary, pins 1-2 of JP5 should be shorted together. To cause the ADC outputs to be 2's Complement, no jumper should be placed on JP5.

4.4 Power Supply Connections

Power for the EVM should be supplied to connector P1 from a low-noise bench power supply. Switching power supplies may add noise and degrade the performance of the ADC.

4.5 Power Requirements

Voltage and current requirements for the ADC12D040 Evaluation Board alone is +5V at 400 mA.

5 Software Operation and Settings

The latest version of the WaveVision 5 Software can be found online at www.ti.com.

6 Evaluation Board Specifications

Board Size:	5.9" x 6.18" (15.0 cm x 15.7 cm)
Power Requirements:	+5.0V, 340 mA
Clock Frequency Range:	1.0 MHz to 40 MHz (ADC12D040) 1.0 MHz to 66 MHz (ADC12DL066)
Analog Input	
Nominal Voltage:	2.0VP-P (ADC12D040) 1.0VP-P (ADC12DL066)
Impedance:	50 Ohms

7 Hardware Schematic

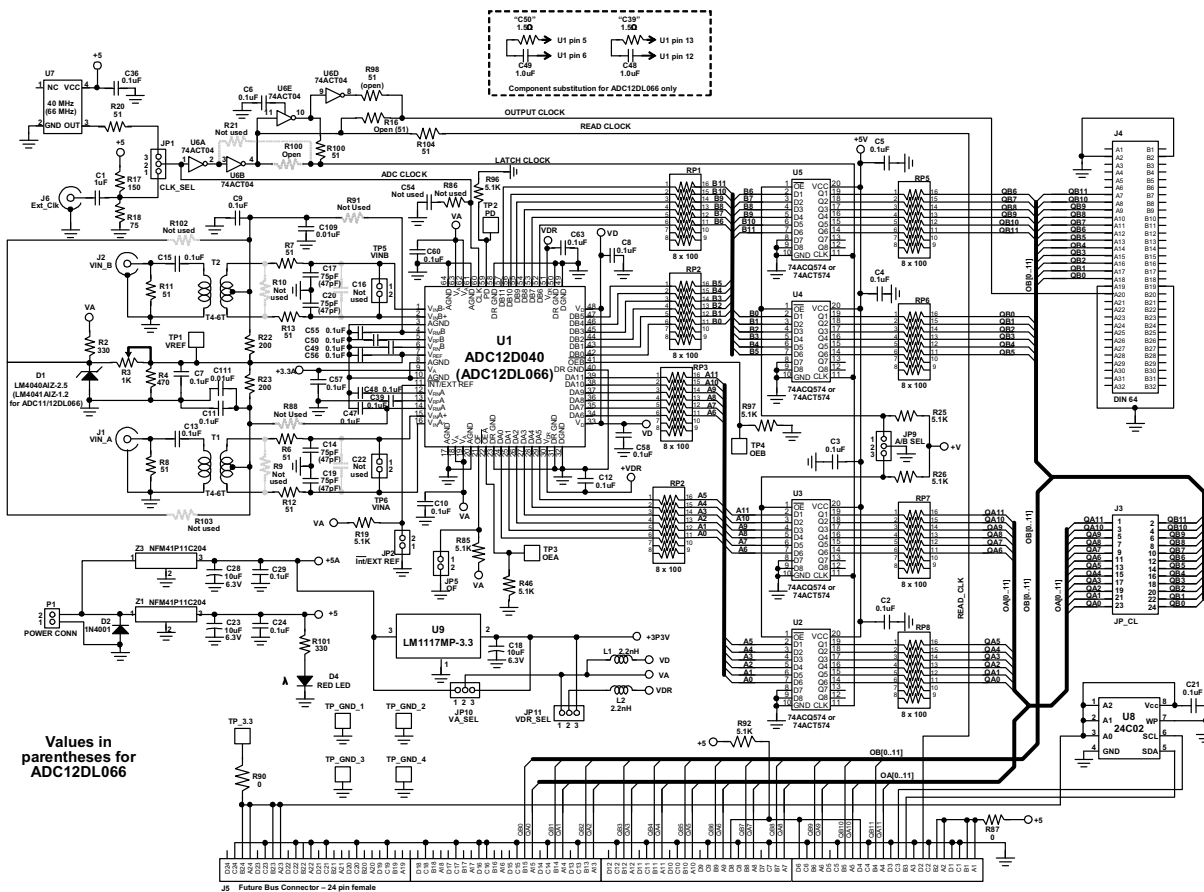


Figure 2. ADC12D040 / ADC12DL066 Evaluation Board Schematic

8 ADC12D040 / ADC12DL066 Evaluation Board Bill of Materials

Table 2. Bill of Materials

Qty	Reference	Part	
1	C1	1uF	Size 0805
2	C109, C111	0.01uF	Size 0805
24	C2–C13, C15, C21, C24, C29, C36, C47, C55–C58, C60, C63	0.1uF	Size 0805
4	C14, C17, C19, C20	75pF (ADC12D040) 47pF (ADC11/12DL066)	Size 0805
3	C18, C23, C28	10uF, 6.3V	Size 1206
–	C16, C22, C54	not populated	n/a
–	C25–C27, C30–C35, C40–C46, C51–C53, C59, C61, C62	Not used	n/a
2	C39, C50	0.1uF (ADC12D040) 1.5Ω resistor (ADC11/12DL066)	Size 0805
2	C48, C49	0.1uF (ADC12D040) 1.0uF (ADC11/12DL066)	Size 0805
1	D1	LM4040AIZ-2.5 (ADC12D040) LM4041AIZ-1.2 (ADC11/12DL066)	Texas Instruments
1	D2	1N4001 or 1N4002 or 1N4003	Various
1	D4	Red LED	Various
4	JP2, JP5, TP5, TP6	2-Pin Post Headers	DigiKey # A19351-ND
1	JP1	3-pin Post Headers	DigiKey # A19350-ND
1	JP9	Hard-Wired all together for ADC12D040 and ADC11/12DL066	
1	JP11	3-pin Post Header for ADC12D040 Hard-Wired for ADC11/12DL066	DigiKey # A19350-ND n/a
–	JP10	Hard wired	n/a
3	J1, J2, J6	BNC Connectors	DigiKey # ARF1177-ND
1	J3	24-pin Header	DigiKey # S2011-12-ND
-	J4	Not Populated	n/a
4	J5	Future Bus Connector	Amp # 223514-1
2	L1, L2	Wide-Band Choke	DigiKey # M2103-ND or JW Miller # FB20010-3B
1	P1	Terminal Block	DigiKey # ED1609-ND
1	R3	1K Pot	DigiKey # 3386P-102-ND
1	R90	0 Ohms	Size 1206
2	R2, R101	330, 5%	Size 1206
1	R4	470, 5%	Size 1206
10	R6–R8, R11–R13, R16, R20, R100, R104	51, 5%	Size 1206
1	R18	75, 5%	Size 1206
1	R17	150, 5%	Size 1206
2	R22, R23	200, 5%	Size 1206
8	R19, R25, R26, R46, R85, R92, R96, R97	5.1k, 5%	Size 1206
–	R9, R10, R21, R88, R86, R91, R98, R102, R103	Not populated	n/a
–	R87	Not Populated	n/a
–	R1, R5	Not used	n/a
8	RP1–RP8	Resistor Pack - 8 x 100	DigiKey # 766-163-R101-ND or DigiKey # 768-163-R101-ND

Table 2. Bill of Materials (continued)

1	TP-TP4, TP_GND_1, TP_GND_2, TP_GND_3, TP_GND_4, TP_3.3	Breakable Header	DigiKey # S1012-36-ND
2	T1, T2	Signal Transformer	MiniCircuits Type T4-6T
1	U1	ADC12D040CIVS, ADC11DL066CIVS or ADC12DL066CIVS	Texas Instruments
4	U2, U3, U4, U5	74AT574SC or 74ACT574SC	Fairchild Semiconductor
1	U6	74AC04SC or 74ACT04SC	Fairchild Semiconductor
1	U7	40MHz Osc (ADC12D040) 66MHz Osc (ADC11/12DL066)	Pletronics #P1145-3SD-40.00M or DigiKey # CTX120-ND (ADC12D040) or Pletronics #P1145-3SD-66.667M or DigiKey # CTX137-ND (ADC11/12L066)
1	U8	24C02	Various
1	U9	LM1117MP-3.3	Texas Instruments
2	Z1, Z3	Noise Filters	Murata # NFM41P11C204
1	--	4-Pin full-size oscillator socket	DigiKey # A462-ND

Appendix A

A.1 Summary Tables of Test Points, Connectors, and Connectors

Table 3. Test Points on the ADC12D040/ADC11DL066/ADC12DL066 Evaluation Board

TP1: V _{REF}	ADC Reference Voltage Test Point.
TP2: PD	Power Down control. Apply a logic high voltage here to power down the A/D Converter.
TP3: OEA	Output Enable for ADC "A". Apply a logic high voltage here to disable outputs "A".
TP4: OEB	Output Enable for ADC "B". Apply a logic high voltage here to disable outputs "B".
TP5: VINB	Differential input signal to ADC "B"
TP6: VINA	Differential input signal to ADC "A"
TP_3.3	3.3 Volt test point from the WaveVision4 Board.
TP_GND_1	Ground. Located in corner nearest TP_3.3
TP_GND_2	Ground. Located in corner nearest board identification silk screen.
TP_GND_3	Ground. Located in corner nearest Power Connector
TP_GND_4	Ground. Located in corner nearest BNC J2.

Connectors and Selection Jumpers on the ADC12D040/ADC11DL066/ADC12DL066 Evaluation Board

J1: BNC Connector	Single-Ended input to ADC "A"
J2: BNC Connector	Single-Ended input to ADC "B"
J3: JP_CL	Put jumpers on all 12 pin pairs to make output bus available on J4 available for converter selected by JP9.
J4: DIN 64	Not used.
J5: Future Bus connector	Future Bus connector for use with WaveVision 5 Data Capture Board
J6: BNC Connector	External Clock Input

Table 4. Selection Jumpers on the ADC12D040/ADC11DL066/ADC12DL066 Evaluation Board

JP1: CLK_SEL	Jumper pins 2-3 to select on-board oscillator at U7 or jumper pins 1-2 to select external clock at J6
JP2: INT/EXT REF	Place jumper on these pins to select the internal 1.0V reference; leave jumper off to use external reference.
JP3:	Not Used
JP4:	Not Used
JP5: OF	Place jumper on these pins to select Offset Binary output format; leave jumper off for 2's complement.
JP6:	Not Used
JP7:	Not Used
JP8:	Not Used
JP9: A/B SEL	Hard-wired together
JP10: VA_SEL	Hard-wired to +5.0V for ADC12D040. Hard-wired to 3.3V for ADC12DL066
JP11: V _{DR} _SEL	Jumper pins 2-3 to select 3.3V for V _{DR} (output driver supply) or jumper pins 1-2 to select ADC supply for V _{DR} . Hard-wired to 3.3V for ADC12DL066

Table 5. P1: Connector - Power Supply Connections

P1-1	+5V	Positive Supply voltage (+5V)
P1-2	GND	Power Supply Ground

Table 6. J3: Latch Outputs

J3 pin number	Signal (when channel enabled)
1, 2	B11(MSB) Ch A, B11(MSB) Ch B
3, 4	B10 Ch A, B10 Ch B
5, 6	B9 Ch A, B9 Ch B
7, 8	B8 Ch A, B8 Ch B
9, 10	B7 Ch A, B7 Ch B
11, 12	B6 Ch A, B6 Ch B
13, 14	B5 Ch A, B5 Ch B
15, 16	B4 Ch A, B4 Ch B
17, 18	B3 Ch A, B3 Ch B
19, 20	B2 Ch A, B2 Ch B
21, 22	B1 Ch A, B1 Ch B
23, 24	B0(LSB) Ch A, B0(LSB)

Table 7. J5: Future Bus connector for use with WAVEVSN BRD 4.0 Data Capture Board

J5 Pin Number	Signal
A1, B1, A2, B2	Not connected
C1 thru C24	Ground
A3, A22, B3, D1, D16	Ground
D2	READ_CLK to clock data into RAM
A4	QA11 - Bit 11 (MSB) output for ADC "A"
B4	QB11 - Bit 11 output for ADC "B"
A5	QA10 - Bit 10 output for ADC "A"
B5	QB10 - Bit 10 output for ADC "B"
A6	QA9 - Bit 9 output for ADC "A"
B6	QB9 - Bit 9 output for ADC "B"
A7	QA8 - Bit 8 output for ADC "A"
B7	QB8 - Bit 8 output for ADC "B"
A8	QA7 - Bit 7 output for ADC "A"
B8	QB7 - Bit 7 output for ADC "B"
A9	QA6 - Bit 7 output for ADC "A"
B9	QB6 - Bit 7 output for ADC "B"
A10	QA5 - Bit 7 output for ADC "A"
B10	QB5 - Bit 7 output for ADC "B"
A11	QA4 - Bit 7 output for ADC "A"
B11	QB4 - Bit 7 output for ADC "B"
A12	QA3 - Bit 7 output for ADC "A"
B12	QB3 - Bit 7 output for ADC "B"
A13	QA2 - Bit 7 output for ADC "A"
B13	QB2 - Bit 7 output for ADC "B"
A14	QA1 - Bit 7 output for ADC "A"
B14	QB1 - Bit 7 output for ADC "B"
A15	QA0 - Bit 7 output for ADC "A"
B15	QB0 - Bit 7 output for ADC "B"
D4, D6, D8	Board ID pins - not used
A23, B23, A24, B24	3.3V from WaveVision4 Data Capture Board
A16 thru A21	Not Used
B16 thru B21	Not Used
D5, D7, D9 thru D15	Not Used
D17 thru D24	Not Used

Revision History

Changes from Original (December 2005) to A Revision	Page
• Changed the document to the TI format	1
• Changed From: "WaveVision4 software" To: "WaveVision5 software" in the Introduction	2
• Changed Table 2	7

NOTE: Page numbers for previous revisions may differ from page numbers in the current version.

ADDITIONAL TERMS AND CONDITIONS, WARNINGS, RESTRICTIONS, AND DISCLAIMERS FOR EVALUATION MODULES

Texas Instruments Incorporated (TI) markets, sells, and loans all evaluation boards, kits, and/or modules (EVMs) pursuant to, and user expressly acknowledges, represents, and agrees, and takes sole responsibility and risk with respect to, the following:

1. User agrees and acknowledges that EVMs are intended to be handled and used for feasibility evaluation only in laboratory and/or development environments. Notwithstanding the foregoing, in certain instances, TI makes certain EVMs available to users that do not handle and use EVMs solely for feasibility evaluation only in laboratory and/or development environments, but may use EVMs in a hobbyist environment. All EVMs made available to hobbyist users are FCC certified, as applicable. Hobbyist users acknowledge, agree, and shall comply with all applicable terms, conditions, warnings, and restrictions in this document and are subject to the disclaimer and indemnity provisions included in this document.
2. Unless otherwise indicated, EVMs are not finished products and not intended for consumer use. EVMs are intended solely for use by technically qualified electronics experts who are familiar with the dangers and application risks associated with handling electrical mechanical components, systems, and subsystems.
3. User agrees that EVMs shall not be used as, or incorporated into, all or any part of a finished product.
4. User agrees and acknowledges that certain EVMs may not be designed or manufactured by TI.
5. User must read the user's guide and all other documentation accompanying EVMs, including without limitation any warning or restriction notices, prior to handling and/or using EVMs. Such notices contain important safety information related to, for example, temperatures and voltages. For additional information on TI's environmental and/or safety programs, please visit www.ti.com/esh or contact TI.
6. User assumes all responsibility, obligation, and any corresponding liability for proper and safe handling and use of EVMs.
7. Should any EVM not meet the specifications indicated in the user's guide or other documentation accompanying such EVM, the EVM may be returned to TI within 30 days from the date of delivery for a full refund. THE FOREGOING LIMITED WARRANTY IS THE EXCLUSIVE WARRANTY MADE BY TI TO USER AND IS IN LIEU OF ALL OTHER WARRANTIES, EXPRESSED, IMPLIED, OR STATUTORY, INCLUDING ANY WARRANTY OF MERCHANTABILITY OR FITNESS FOR ANY PARTICULAR PURPOSE. TI SHALL NOT BE LIABLE TO USER FOR ANY INDIRECT, SPECIAL, INCIDENTAL, OR CONSEQUENTIAL DAMAGES RELATED TO THE HANDLING OR USE OF ANY EVM.
8. No license is granted under any patent right or other intellectual property right of TI covering or relating to any machine, process, or combination in which EVMs might be or are used. TI currently deals with a variety of customers, and therefore TI's arrangement with the user is not exclusive. TI assumes no liability for applications assistance, customer product design, software performance, or infringement of patents or services with respect to the handling or use of EVMs.
9. User assumes sole responsibility to determine whether EVMs may be subject to any applicable federal, state, or local laws and regulatory requirements (including but not limited to U.S. Food and Drug Administration regulations, if applicable) related to its handling and use of EVMs and, if applicable, compliance in all respects with such laws and regulations.
10. User has sole responsibility to ensure the safety of any activities to be conducted by it and its employees, affiliates, contractors or designees, with respect to handling and using EVMs. Further, user is responsible to ensure that any interfaces (electronic and/or mechanical) between EVMs and any human body are designed with suitable isolation and means to safely limit accessible leakage currents to minimize the risk of electrical shock hazard.
11. User shall employ reasonable safeguards to ensure that user's use of EVMs will not result in any property damage, injury or death, even if EVMs should fail to perform as described or expected.
12. User shall be solely responsible for proper disposal and recycling of EVMs consistent with all applicable federal, state, and local requirements.

Certain Instructions. User shall operate EVMs within TI's recommended specifications and environmental considerations per the user's guide, accompanying documentation, and any other applicable requirements. Exceeding the specified ratings (including but not limited to input and output voltage, current, power, and environmental ranges) for EVMs may cause property damage, personal injury or death. If there are questions concerning these ratings, user should contact a TI field representative prior to connecting interface electronics including input power and intended loads. Any loads applied outside of the specified output range may result in unintended and/or inaccurate operation and/or possible permanent damage to the EVM and/or interface electronics. Please consult the applicable EVM user's guide prior to connecting any load to the EVM output. If there is uncertainty as to the load specification, please contact a TI field representative. During normal operation, some circuit components may have case temperatures greater than 60°C as long as the input and output are maintained at a normal ambient operating temperature. These components include but are not limited to linear regulators, switching transistors, pass transistors, and current sense resistors which can be identified using EVMs' schematics located in the applicable EVM user's guide. When placing measurement probes near EVMs during normal operation, please be aware that EVMs may become very warm. As with all electronic evaluation tools, only qualified personnel knowledgeable in electronic measurement and diagnostics normally found in development environments should use EVMs.

Agreement to Defend, Indemnify and Hold Harmless. User agrees to defend, indemnify, and hold TI, its directors, officers, employees, agents, representatives, affiliates, licensors and their representatives harmless from and against any and all claims, damages, losses, expenses, costs and liabilities (collectively, "Claims") arising out of, or in connection with, any handling and/or use of EVMs. User's indemnity shall apply whether Claims arise under law of tort or contract or any other legal theory, and even if EVMs fail to perform as described or expected.

Safety-Critical or Life-Critical Applications. If user intends to use EVMs in evaluations of safety critical applications (such as life support), and a failure of a TI product considered for purchase by user for use in user's product would reasonably be expected to cause severe personal injury or death such as devices which are classified as FDA Class III or similar classification, then user must specifically notify TI of such intent and enter into a separate Assurance and Indemnity Agreement.

RADIO FREQUENCY REGULATORY COMPLIANCE INFORMATION FOR EVALUATION MODULES

Texas Instruments Incorporated (TI) evaluation boards, kits, and/or modules (EVMs) and/or accompanying hardware that is marketed, sold, or loaned to users may or may not be subject to radio frequency regulations in specific countries.

General Statement for EVMs Not Including a Radio

For EVMs not including a radio and not subject to the U.S. Federal Communications Commission (FCC) or Industry Canada (IC) regulations, TI intends EVMs to be used only for engineering development, demonstration, or evaluation purposes. EVMs are not finished products typically fit for general consumer use. EVMs may nonetheless generate, use, or radiate radio frequency energy, but have not been tested for compliance with the limits of computing devices pursuant to part 15 of FCC or the ICES-003 rules. Operation of such EVMs may cause interference with radio communications, in which case the user at his own expense will be required to take whatever measures may be required to correct this interference.

General Statement for EVMs including a radio

User Power/Frequency Use Obligations: For EVMs including a radio, the radio included in such EVMs is intended for development and/or professional use only in legally allocated frequency and power limits. Any use of radio frequencies and/or power availability in such EVMs and their development application(s) must comply with local laws governing radio spectrum allocation and power limits for such EVMs. It is the user's sole responsibility to only operate this radio in legally acceptable frequency space and within legally mandated power limitations. Any exceptions to this are strictly prohibited and unauthorized by TI unless user has obtained appropriate experimental and/or development licenses from local regulatory authorities, which is the sole responsibility of the user, including its acceptable authorization.

U.S. Federal Communications Commission Compliance

For EVMs Annotated as FCC – FEDERAL COMMUNICATIONS COMMISSION Part 15 Compliant

Caution

This device complies with part 15 of the FCC Rules. Operation is subject to the following two conditions: (1) This device may not cause harmful interference, and (2) this device must accept any interference received, including interference that may cause undesired operation. Changes or modifications could void the user's authority to operate the equipment.

FCC Interference Statement for Class A EVM devices

This equipment has been tested and found to comply with the limits for a Class A digital device, pursuant to part 15 of the FCC Rules. These limits are designed to provide reasonable protection against harmful interference when the equipment is operated in a commercial environment. This equipment generates, uses, and can radiate radio frequency energy and, if not installed and used in accordance with the instruction manual, may cause harmful interference to radio communications. Operation of this equipment in a residential area is likely to cause harmful interference in which case the user will be required to correct the interference at its own expense.

FCC Interference Statement for Class B EVM devices

This equipment has been tested and found to comply with the limits for a Class B digital device, pursuant to part 15 of the FCC Rules. These limits are designed to provide reasonable protection against harmful interference in a residential installation. This equipment generates, uses and can radiate radio frequency energy and, if not installed and used in accordance with the instructions, may cause harmful interference to radio communications. However, there is no guarantee that interference will not occur in a particular installation. If this equipment does cause harmful interference to radio or television reception, which can be determined by turning the equipment off and on, the user is encouraged to try to correct the interference by one or more of the following measures:

- Reorient or relocate the receiving antenna.
- Increase the separation between the equipment and receiver.
- Connect the equipment into an outlet on a circuit different from that to which the receiver is connected.
- Consult the dealer or an experienced radio/TV technician for help.

Industry Canada Compliance (English)

For EVMs Annotated as IC – INDUSTRY CANADA Compliant:

This Class A or B digital apparatus complies with Canadian ICES-003.

Changes or modifications not expressly approved by the party responsible for compliance could void the user's authority to operate the equipment.

Concerning EVMs Including Radio Transmitters

This device complies with Industry Canada licence-exempt RSS standard(s). Operation is subject to the following two conditions: (1) this device may not cause interference, and (2) this device must accept any interference, including interference that may cause undesired operation of the device.

Concerning EVMs Including Detachable Antennas

Under Industry Canada regulations, this radio transmitter may only operate using an antenna of a type and maximum (or lesser) gain approved for the transmitter by Industry Canada. To reduce potential radio interference to other users, the antenna type and its gain should be so chosen that the equivalent isotropically radiated power (e.i.r.p.) is not more than that necessary for successful communication.

This radio transmitter has been approved by Industry Canada to operate with the antenna types listed in the user guide with the maximum permissible gain and required antenna impedance for each antenna type indicated. Antenna types not included in this list, having a gain greater than the maximum gain indicated for that type, are strictly prohibited for use with this device.

Canada Industry Canada Compliance (French)

Cet appareil numérique de la classe A ou B est conforme à la norme NMB-003 du Canada

Les changements ou les modifications pas expressément approuvés par la partie responsable de la conformité ont pu vider l'autorité de l'utilisateur pour actionner l'équipement.

Concernant les EVMs avec appareils radio

Le présent appareil est conforme aux CNR d'Industrie Canada applicables aux appareils radio exempts de licence. L'exploitation est autorisée aux deux conditions suivantes : (1) l'appareil ne doit pas produire de brouillage, et (2) l'utilisateur de l'appareil doit accepter tout brouillage radioélectrique subi, même si le brouillage est susceptible d'en compromettre le fonctionnement.

Concernant les EVMs avec antennes détachables

Conformément à la réglementation d'Industrie Canada, le présent émetteur radio peut fonctionner avec une antenne d'un type et d'un gain maximal (ou inférieur) approuvé pour l'émetteur par Industrie Canada. Dans le but de réduire les risques de brouillage radioélectrique à l'intention des autres utilisateurs, il faut choisir le type d'antenne et son gain de sorte que la puissance isotrope rayonnée équivalente (p.i.r.e.) ne dépasse pas l'intensité nécessaire à l'établissement d'une communication satisfaisante.

Le présent émetteur radio a été approuvé par Industrie Canada pour fonctionner avec les types d'antenne énumérés dans le manuel d'usage et ayant un gain admissible maximal et l'impédance requise pour chaque type d'antenne. Les types d'antenne non inclus dans cette liste, ou dont le gain est supérieur au gain maximal indiqué, sont strictement interdits pour l'exploitation de l'émetteur.

Mailing Address: Texas Instruments, Post Office Box 655303, Dallas, Texas 75265
Copyright © 2014, Texas Instruments Incorporated

Important Notice for Users of EVMs Considered “Radio Frequency Products” in Japan

EVMs entering Japan are NOT certified by TI as conforming to Technical Regulations of Radio Law of Japan.

If user uses EVMs in Japan, user is required by Radio Law of Japan to follow the instructions below with respect to EVMs:

1. Use EVMs in a shielded room or any other test facility as defined in the notification #173 issued by Ministry of Internal Affairs and Communications on March 28, 2006, based on Sub-section 1.1 of Article 6 of the Ministry's Rule for Enforcement of Radio Law of Japan,
2. Use EVMs only after user obtains the license of Test Radio Station as provided in Radio Law of Japan with respect to EVMs, or
3. Use of EVMs only after user obtains the Technical Regulations Conformity Certification as provided in Radio Law of Japan with respect to EVMs. Also, do not transfer EVMs, unless user gives the same notice above to the transferee. Please note that if user does not follow the instructions above, user will be subject to penalties of Radio Law of Japan.

<http://www.tij.co.jp>

【無線電波を送信する製品の開発キットをお使いになる際の注意事項】本開発キットは技術基準適合証明を受けておりません。本製品のご使用に際しては、電波法遵守のため、以下のいずれかの措置を取っていただく必要がありますのでご注意ください。

1. 電波法施行規則第6条第1項第1号に基づく平成18年3月28日総務省告示第173号で定められた電波暗室等の試験設備でご使用いただく。
2. 実験局の免許を取得後ご使用いただく。
3. 技術基準適合証明を取得後ご使用いただく。。

なお、本製品は、上記の「ご使用にあたっての注意」を譲渡先、移転先に通知しない限り、譲渡、移転できないものとします

上記を遵守頂けない場合は、電波法の罰則が適用される可能性があることをご留意ください。

日本テキサス・インスツルメンツ株式会社

東京都新宿区西新宿6丁目24番1号

西新宿三井ビル

<http://www.tij.co.jp>

Texas Instruments Japan Limited

(address) 24-1, Nishi-Shinjuku 6 chome, Shinjuku-ku, Tokyo, Japan

IMPORTANT NOTICE

Texas Instruments Incorporated and its subsidiaries (TI) reserve the right to make corrections, enhancements, improvements and other changes to its semiconductor products and services per JESD46, latest issue, and to discontinue any product or service per JESD48, latest issue. Buyers should obtain the latest relevant information before placing orders and should verify that such information is current and complete. All semiconductor products (also referred to herein as "components") are sold subject to TI's terms and conditions of sale supplied at the time of order acknowledgment.

TI warrants performance of its components to the specifications applicable at the time of sale, in accordance with the warranty in TI's terms and conditions of sale of semiconductor products. Testing and other quality control techniques are used to the extent TI deems necessary to support this warranty. Except where mandated by applicable law, testing of all parameters of each component is not necessarily performed.

TI assumes no liability for applications assistance or the design of Buyers' products. Buyers are responsible for their products and applications using TI components. To minimize the risks associated with Buyers' products and applications, Buyers should provide adequate design and operating safeguards.

TI does not warrant or represent that any license, either express or implied, is granted under any patent right, copyright, mask work right, or other intellectual property right relating to any combination, machine, or process in which TI components or services are used. Information published by TI regarding third-party products or services does not constitute a license to use such products or services or a warranty or endorsement thereof. Use of such information may require a license from a third party under the patents or other intellectual property of the third party, or a license from TI under the patents or other intellectual property of TI.

Reproduction of significant portions of TI information in TI data books or data sheets is permissible only if reproduction is without alteration and is accompanied by all associated warranties, conditions, limitations, and notices. TI is not responsible or liable for such altered documentation. Information of third parties may be subject to additional restrictions.

Resale of TI components or services with statements different from or beyond the parameters stated by TI for that component or service voids all express and any implied warranties for the associated TI component or service and is an unfair and deceptive business practice. TI is not responsible or liable for any such statements.

Buyer acknowledges and agrees that it is solely responsible for compliance with all legal, regulatory and safety-related requirements concerning its products, and any use of TI components in its applications, notwithstanding any applications-related information or support that may be provided by TI. Buyer represents and agrees that it has all the necessary expertise to create and implement safeguards which anticipate dangerous consequences of failures, monitor failures and their consequences, lessen the likelihood of failures that might cause harm and take appropriate remedial actions. Buyer will fully indemnify TI and its representatives against any damages arising out of the use of any TI components in safety-critical applications.

In some cases, TI components may be promoted specifically to facilitate safety-related applications. With such components, TI's goal is to help enable customers to design and create their own end-product solutions that meet applicable functional safety standards and requirements. Nonetheless, such components are subject to these terms.

No TI components are authorized for use in FDA Class III (or similar life-critical medical equipment) unless authorized officers of the parties have executed a special agreement specifically governing such use.

Only those TI components which TI has specifically designated as military grade or "enhanced plastic" are designed and intended for use in military/aerospace applications or environments. Buyer acknowledges and agrees that any military or aerospace use of TI components which have **not** been so designated is solely at the Buyer's risk, and that Buyer is solely responsible for compliance with all legal and regulatory requirements in connection with such use.

TI has specifically designated certain components as meeting ISO/TS16949 requirements, mainly for automotive use. In any case of use of non-designated products, TI will not be responsible for any failure to meet ISO/TS16949.

Products

Audio	www.ti.com/audio
Amplifiers	amplifier.ti.com
Data Converters	dataconverter.ti.com
DLP® Products	www.dlp.com
DSP	dsp.ti.com
Clocks and Timers	www.ti.com/clocks
Interface	interface.ti.com
Logic	logic.ti.com
Power Mgmt	power.ti.com
Microcontrollers	microcontroller.ti.com
RFID	www.ti-rfid.com
OMAP Applications Processors	www.ti.com/omap
Wireless Connectivity	www.ti.com/wirelessconnectivity

Applications

Automotive and Transportation	www.ti.com/automotive
Communications and Telecom	www.ti.com/communications
Computers and Peripherals	www.ti.com/computers
Consumer Electronics	www.ti.com/consumer-apps
Energy and Lighting	www.ti.com/energy
Industrial	www.ti.com/industrial
Medical	www.ti.com/medical
Security	www.ti.com/security
Space, Avionics and Defense	www.ti.com/space-avionics-defense
Video and Imaging	www.ti.com/video

TI E2E Community

e2e.ti.com