

## Device Overview

The 89HPES16T4 is a member of the IDT PRECISE™ family of PCI Express® switching solutions. The PES16T4 is a 16-lane, 4-port peripheral chip that performs PCI Express packet switching with a feature set optimized for high performance applications such as servers, storage, and communications/networking. It provides connectivity and switching functions between a PCI Express upstream port and up to three downstream ports and supports switching between downstream ports.

## Features

- ◆ **High Performance PCI Express Switch**
  - Sixteen 2.5 Gbps PCI Express lanes
  - Four switch ports
  - Upstream port configurable up to x8
  - Downstream ports configurable up to x4
  - Low-latency cut-through switch architecture
  - Support for Max Payload Size up to 2048 bytes
  - One virtual channel
  - Eight traffic classes
  - PCI Express Base Specification Revision 1.1 compliant
- ◆ **Flexible Architecture with Numerous Configuration Options**
  - Automatic per port link width negotiation to x8, x4, x2 or x1
  - Automatic lane reversal on all ports
  - Automatic polarity inversion on all lanes
  - Ability to load device configuration from serial EEPROM
- ◆ **Legacy Support**
  - PCI compatible INTx emulation
  - Bus locking
- ◆ **Highly Integrated Solution**
  - Requires no external components
  - Incorporates on-chip internal memory for packet buffering and queueing
  - Integrates sixteen 2.5 Gbps embedded SerDes with 8B/10B encoder/decoder (no separate transceivers needed)
- ◆ **Reliability, Availability, and Serviceability (RAS) Features**
  - Supports ECRC and Advanced Error Reporting
  - Internal end-to-end parity protection on all TLPs ensures data integrity even in systems that do not implement end-to-end CRC (ECRC)
  - Supports PCI Express Native Hot-Plug, Hot-Swap capable I/O
  - Compatible with Hot-Plug I/O expanders used on PC and server motherboards

## Block Diagram

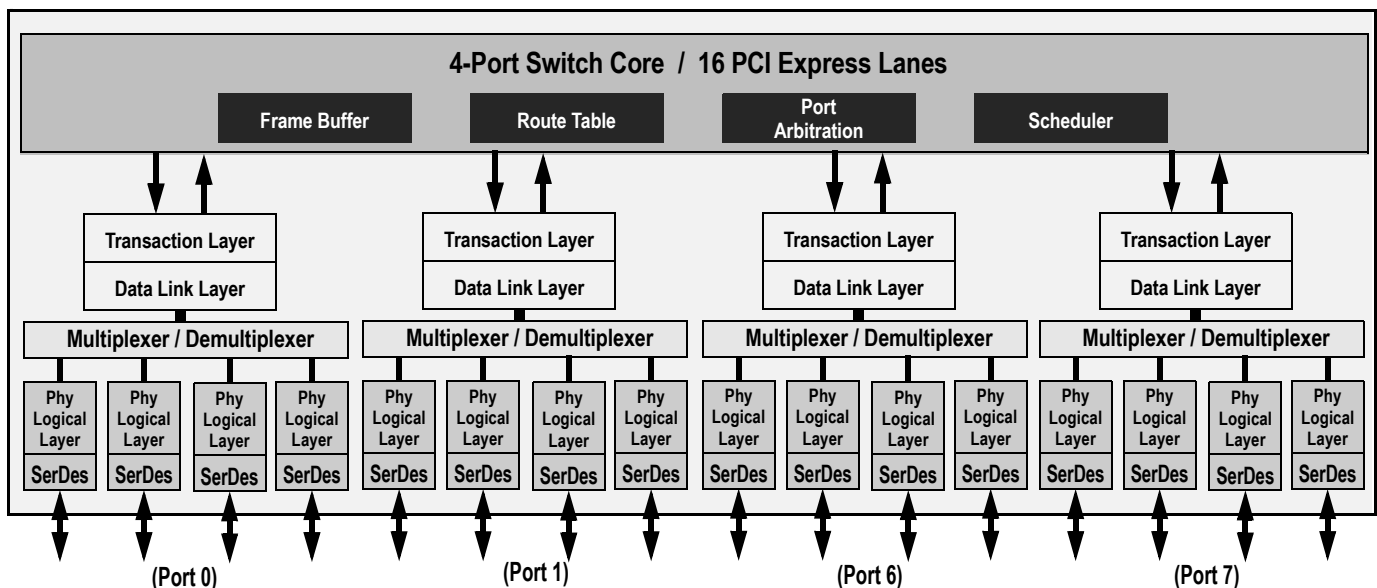


Figure 1 Internal Block Diagram

#### ◆ Power Management

- Utilizes advanced low-power design techniques to achieve low typical power consumption
- Supports PCI Power Management Interface specification (PCI-PM 1.1)
  - Supports device power management states: D0, D3<sub>hot</sub> and D3<sub>cold</sub>
- Unused SerDes are disabled

#### ◆ Testability and Debug Features

- Ability to read and write any internal register via the SMBus

#### ◆ Eleven General Purpose Input/Output Pins

- Each pin may be individually configured as an input or output
- Each pin may be individually configured as an interrupt input
- Some pins have selectable alternate functions

#### ◆ Packaged in a 23mm x 23mm 484-ball BCG with 1mm ball spacing

### Product Description

Utilizing standard PCI Express interconnect, the PES16T4 provides the most efficient I/O connectivity solution for applications requiring high throughput, low latency, and simple board layout with a minimum number of board layers. It provides connectivity for up to 4 ports across 16 integrated serial lanes. Each lane provides 2.5 Gbps of bandwidth in both directions and is fully compliant with PCI Express Base specification revision 1.1.

### SMBus Interface

The PES16T4 contains two SMBus interfaces. The slave interface provides full access to the configuration registers in the PES16T4, allowing every configuration register in the device to be read or written by an external agent. The master interface allows the default configuration register values of the PES16T4 to be overridden following a reset with values programmed in an external serial EEPROM. The master interface is also used by an external Hot-Plug I/O expander.

Six pins make up each of the two SMBus interfaces. These pins consist of an SMBus clock pin, an SMBus data pin, and 4 SMBus address pins. In the slave interface, these address pins allow the SMBus address to which the device responds to be configured. In the master interface, these address pins allow the SMBus address of the serial configuration EEPROM from which data is loaded to be configured. The SMBus address is set up on negation of PERSTN by sampling the corresponding address pins. When the pins are sampled, the resulting address is assigned as shown in Table 1.

| Bit | Slave SMBus Address | Master SMBus Address |
|-----|---------------------|----------------------|
| 1   | SSMBADDR[1]         | MSMBADDR[1]          |
| 2   | SSMBADDR[2]         | MSMBADDR[2]          |
| 3   | SSMBADDR[3]         | MSMBADDR[3]          |
| 4   | 0                   | MSMBADDR[4]          |
| 5   | SSMBADDR[5]         | 1                    |
| 6   | 1                   | 0                    |
| 7   | 1                   | 1                    |

Table 1 Master and Slave SMBus Address Assignment

As shown in Figure 2, the master and slave SMBuses may be used in a unified or split configuration. In the unified configuration, shown in Figure 2(a), the master and slave SMBuses are tied together and the PES16T4 acts both as a SMBus master as well as a SMBus slave on this bus. This requires that the SMBus master or processor that has access to PES16T4 registers supports SMBus arbitration. In some systems, this SMBus master interface may be implemented using general purpose I/O pins on a processor or micro controller, and may not support SMBus arbitration. To support these systems, the PES16T4 may be configured to operate in a split configuration as shown in Figure 2(b).

In the split configuration, the master and slave SMBuses operate as two independent buses and thus multi-master arbitration is never required. The PES16T4 supports reading and writing of the serial EEPROM on the master SMBus via the slave SMBus, allowing in system programming of the serial EEPROM.

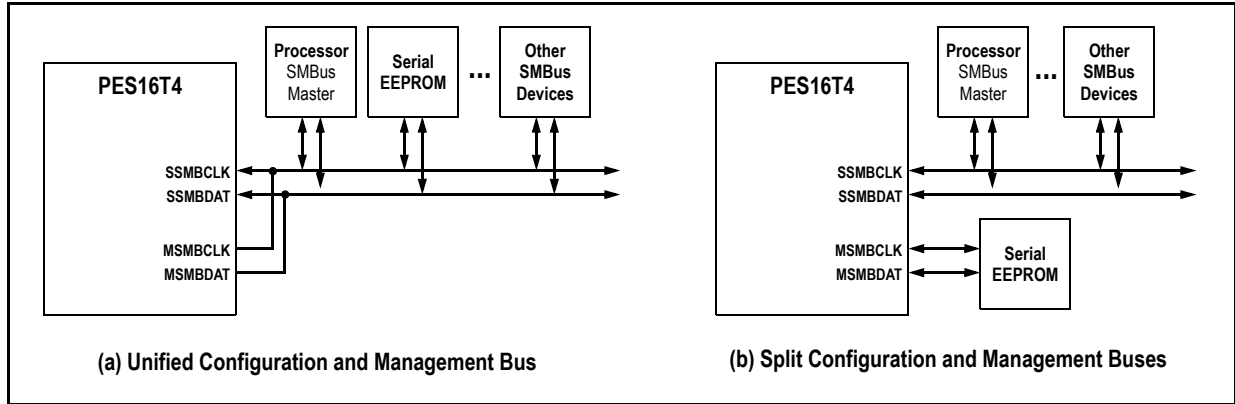


Figure 2 SMBus Interface Configuration Examples

**Hot-Plug Interface**

The PES16T4 supports PCI Express Hot-Plug on each downstream port. To reduce the number of pins required on the device, the PES16T4 utilizes an external I/O expander, such as that used on PC motherboards, connected to the SMBus master interface. Following reset and configuration, whenever the state of a Hot-Plug output needs to be modified, the PES16T4 generates an SMBus transaction to the I/O expander with the new value of all of the outputs. Whenever a Hot-Plug input changes, the I/O expander generates an interrupt which is received on the IOEXPINTN input pin (alternate function of GPIO) of the PES16T4. In response to an I/O expander interrupt, the PES16T4 generates an SMBus transaction to read the state of all of the Hot-Plug inputs from the I/O expander.

**General Purpose Input/Output**

The PES16T4 provides 11 General Purpose Input/Output (GPIO) pins that may be used by the system designer as bit I/O ports. Each GPIO pin may be configured independently as an input or output through software control. Some GPIO pins are shared with other on-chip functions. These alternate functions may be enabled via software, SMBus slave interface, or serial configuration EEPROM.

The PES16T4 is based on a flexible and efficient layered architecture. The PCI Express layer consists of SerDes, Physical, Data Link and Transaction layers in compliance with PCI Express Base specification Revision 1.1. The PES16T4 can operate either as a store and forward or cut-through switch and is designed to switch memory and I/O transactions. It supports eight Traffic Classes (TCs) and one Virtual Channel (VC) with sophisticated resource management to enable efficient switching and I/O connectivity for servers, storage, and embedded applications.

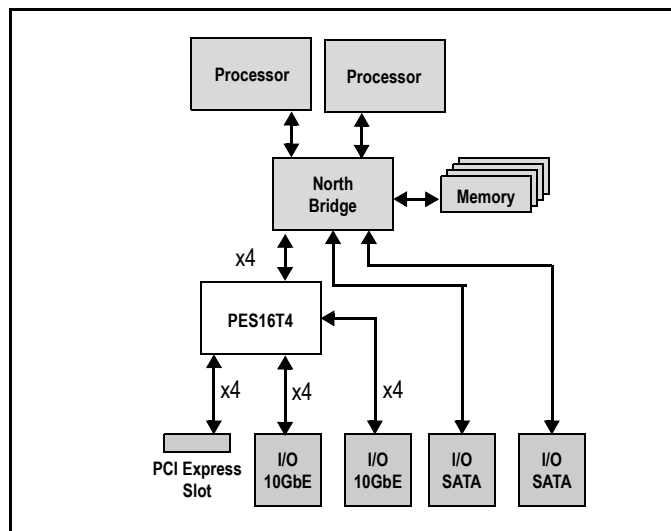


Figure 3 I/O Expansion Application

## Pin Description

The following tables list the functions of the pins provided on the PES16T4. Some of the functions listed may be multiplexed onto the same pin. The active polarity of a signal is defined using a suffix. Signals ending with an "N" are defined as being active, or asserted, when at a logic zero (low) level. All other signals (including clocks, buses, and select lines) will be interpreted as being active, or asserted, when at a logic one (high) level.

**Note:** In the PES16T4, the three downstream ports are labeled port 1, port 6, and port 7.

| Signal                           | Type | Name/Description   |
|----------------------------------|------|--|
| PE0RP[3:0]<br>PE0RN[3:0]         | I    | <b>PCI Express Port 0 Serial Data Receive.</b> Differential PCI Express receive pairs for port 0. Port 0 is the upstream port.   |
| PE0TP[3:0]<br>PE0TN[3:0]         | O    | <b>PCI Express Port 0 Serial Data Transmit.</b> Differential PCI Express transmit pairs for port 0. Port 0 is the upstream port.   |
| PE1RP[3:0]<br>PE1RN[3:0]         | I    | <b>PCI Express Port 1 Serial Data Receive.</b> Differential PCI Express receive pairs for port 1. When port 0 is merged with port 1, these signals become port 0 receive pairs for lanes 4 through 7.  |
| PE1TP[3:0]<br>PE1TN[3:0]         | O    | <b>PCI Express Port 1 Serial Data Transmit.</b> Differential PCI Express transmit pairs for port 1. When port 0 is merged with port 1, these signals become port 0 transmit pairs for lanes 4 through 7.   |
| PE6RP[3:0]<br>PE6RN[3:0]         | I    | <b>PCI Express Port 6 Serial Data Receive.</b> Differential PCI Express receive pairs for port 6.  |
| PE6TP[3:0]<br>PE6TN[3:0]         | O    | <b>PCI Express Port 6 Serial Data Transmit.</b> Differential PCI Express transmit pairs for port 6.  |
| PE7RP[3:0]<br>PE7RN[3:0]         | I    | <b>PCI Express Port 7 Serial Data Receive.</b> Differential PCI Express receive pairs for port 7. When port 6 is merged with port 7, these signals become port 6 receive pairs for lanes 4 through 7.  |
| PE7TP[3:0]<br>PE7TN[3:0]         | O    | <b>PCI Express Port 7 Serial Data Transmit.</b> Differential PCI Express transmit pairs for port 7. When port 6 is merged with port 7, these signals become port 6 transmit pairs for lanes 4 through 7.   |
| P01MERGEN                        | I    | <b>Port 0 and 1 Merge.</b> P01MERGEN is an active low signal. It is pulled low internally via a 251K ohm resistor.<br>When this pin is low, port 0 is merged with port 1 to form a single x8 port. The Serdes lanes associated with port 1 become lanes 4 through 7 of port 0. When this pin is high, port 0 and port 1 are not merged, and each operates as a single x4 port. |
| P67MERGEN                        | I    | <b>Port 6 and 7 Merge.</b> P67MERGEN is an active low signal. It is pulled low internally via a 251K ohm resistor.<br>When this pin is low, port 6 is merged with port 7 to form a single x8 port. The Serdes lanes associated with port 7 become lanes 4 through 7 of port 6. When this pin is high, port 6 and port 7 are not merged, and each operates as a single x4 port. |
| PEREFCLKP[2:1]<br>PEREFCLKN[2:1] | I    | <b>PCI Express Reference Clock.</b> Differential reference clock pair input. This clock is used as the reference clock by on-chip PLLs to generate the clocks required for the system logic and on-chip SerDes. The frequency of the differential reference clock is determined by the REFCLKM signal.   |
| REFCLKM                          | I    | <b>PCI Express Reference Clock Mode Select.</b> This signal selects the frequency of the reference clock input.<br>0x0 - 100 MHz<br>0x1 - 125 MHz  |

Table 2 PCI Express Interface Pins

| Signal          | Type | Name/Description   |
|-----------------|------|--|
| MSMBADDR[4:1]   | I    | <b>Master SMBus Address.</b> These pins determine the SMBus address of the serial EEPROM from which configuration information is loaded.   |
| MSMBCLK         | I/O  | <b>Master SMBus Clock.</b> This bidirectional signal is used to synchronize transfers on the master SMBus. It is active and generating the clock only when the EEPROM or I/O Expanders are being accessed. |
| MSMBDAT         | I/O  | <b>Master SMBus Data.</b> This bidirectional signal is used for data on the master SMBus.  |
| SSMBADDR[5,3:1] | I    | <b>Slave SMBus Address.</b> These pins determine the SMBus address to which the slave SMBus interface responds.  |
| SSMBCLK         | I/O  | <b>Slave SMBus Clock.</b> This bidirectional signal is used to synchronize transfers on the slave SMBus.   |
| SSMBDAT         | I/O  | <b>Slave SMBus Data.</b> This bidirectional signal is used for data on the slave SMBus.  |

Table 3 SMBus Interface Pins

| Signal  | Type | Name/Description   |
|---------|------|--|
| GPIO[0] | I/O  | <b>General Purpose I/O.</b><br>This pin can be configured as a general purpose I/O pin.  |
| GPIO[1] | I/O  | <b>General Purpose I/O.</b><br>This pin can be configured as a general purpose I/O pin.  |
| GPIO[2] | I/O  | <b>General Purpose I/O.</b><br>This pin can be configured as a general purpose I/O pin.  |
| GPIO[3] | I/O  | <b>General Purpose I/O.</b><br>This pin can be configured as a general purpose I/O pin.  |
| GPIO[4] | I/O  | <b>General Purpose I/O.</b><br>This pin can be configured as a general purpose I/O pin.<br>Alternate function pin name: IOEXPINTN2<br>Alternate function pin type: Input<br>Alternate function: I/O Expander interrupt 2 input |
| GPIO[5] | I/O  | <b>General Purpose I/O.</b><br>This pin can be configured as a general purpose I/O pin.<br>Alternate function pin name: IOEXPINTN3<br>Alternate function pin type: Input<br>Alternate function: I/O Expander interrupt 3 input |
| GPIO[6] | I/O  | <b>General Purpose I/O.</b><br>This pin can be configured as a general purpose I/O pin.  |
| GPIO[7] | I/O  | <b>General Purpose I/O.</b><br>This pin can be configured as a general purpose I/O pin.<br>Alternate function pin name: GPEN<br>Alternate function pin type: Output<br>Alternate function: General Purpose Event (GPE) output  |

Table 4 General Purpose I/O Pins (Part 1 of 2)

| Signal   | Type | Name/Description  |
|----------|------|---|
| GPIO[8]  | I/O  | <b>General Purpose I/O.</b><br>This pin can be configured as a general purpose I/O pin.<br>Alternate function pin name: P1RSTN<br>Alternate function pin type: Output<br>Alternate function: Reset output for downstream port 1 |
| GPIO[11] | I/O  | <b>General Purpose I/O.</b><br>This pin can be configured as a general purpose I/O pin.<br>Alternate function pin name: P6RSTN<br>Alternate function pin type: Output<br>Alternate function: Reset output for downstream port 6 |
| GPIO[12] | I/O  | <b>General Purpose I/O.</b><br>This pin can be configured as a general purpose I/O pin.<br>Alternate function pin name: P7RSTN<br>Alternate function pin type: Output<br>Alternate function: Reset output for downstream port 7 |

Table 4 General Purpose I/O Pins (Part 2 of 2)

| Signal      | Type | Name/Description  |
|-------------|------|---|
| CCLKDS      | I    | <b>Common Clock Downstream.</b> When the CCLKDS pin is asserted, it indicates that a common clock is being used between the downstream device and the downstream port.  |
| CCLKUS      | I    | <b>Common Clock Upstream.</b> When the CCLKUS pin is asserted, it indicates that a common clock is being used between the upstream device and the upstream port.  |
| MSMBSMODE   | I    | <b>Master SMBus Slow Mode.</b> The assertion of this pin indicates that the master SMBus should operate at 100 KHz instead of 400 KHz. This value may not be overridden.  |
| PERSTN      | I    | <b>Fundamental Reset.</b> Assertion of this signal resets all logic inside PES16T4 and initiates a PCI Express fundamental reset.   |
| RSTHALT     | I    | <b>Reset Halt.</b> When this signal is asserted during a PCI Express fundamental reset, PES16T4 executes the reset procedure and remains in a reset state with the Master and Slave SMBuses active. This allows software to read and write registers internal to the device before normal device operation begins. The device exits the reset state when the RSTHALT bit is cleared in the SWCTL register by an SMBus master. |
| SWMODE[2:0] | I    | <b>Switch Mode.</b> These configuration pins determine the PES16T4 switch operating mode. These pins should be static and not change after the negation of PERSTN.<br>0x0 - Normal switch mode<br>0x1 - Normal switch mode with Serial EEPROM initialization<br>0x2 - through 0xF Reserved  |

Table 5 System Pins

| Signal      | Type | Name/Description  |
|-------------|------|---|
| JTAG_TCK    | I    | <b>JTAG Clock.</b> This is an input test clock used to clock the shifting of data into or out of the boundary scan logic or JTAG Controller. JTAG_TCK is independent of the system clock with a nominal 50% duty cycle.   |
| JTAG_TDI    | I    | <b>JTAG Data Input.</b> This is the serial data input to the boundary scan logic or JTAG Controller.  |
| JTAG_TDO    | O    | <b>JTAG Data Output.</b> This is the serial data shifted out from the boundary scan logic or JTAG Controller. When no data is being shifted out, this signal is tri-stated.   |
| JTAG_TMS    | I    | <b>JTAG Mode.</b> The value on this signal controls the test mode select of the boundary scan logic or JTAG Controller.   |
| JTAG_TRST_N | I    | <b>JTAG Reset.</b> This active low signal asynchronously resets the boundary scan logic and JTAG TAP Controller. An external pull-up on the board is recommended to meet the JTAG specification in cases where the tester can access this signal. However, for systems running in functional mode, one of the following should occur: <ul style="list-style-type: none"> <li>1) actively drive this signal low with control logic</li> <li>2) statically drive this signal low with an external pull-down on the board</li> </ul> |

Table 6 Test Pins

| Signal               | Type | Name/Description   |
|----------------------|------|--|
| V <sub>DD</sub> CORE | I    | <b>Core V<sub>DD</sub>.</b> Power supply for core logic.   |
| V <sub>DD</sub> IO   | I    | <b>I/O V<sub>DD</sub>.</b> LVTTTL I/O buffer power supply.   |
| V <sub>DD</sub> PE   | I    | <b>PCI Express Digital Power.</b> PCI Express digital power used by the digital power of the SerDes. |
| V <sub>DD</sub> APE  | I    | <b>PCI Express Analog Power.</b> PCI Express analog power used by the PLL and bias generator.        |
| V <sub>TT</sub> PE   | I    | <b>PCI Express Termination Power.</b>  |
| V <sub>SS</sub>      | I    | <b>Ground.</b>   |

Table 7 Power and Ground Pins

## Pin Characteristics

**Note:** Some input pads of the PES16T4 do not contain internal pull-ups or pull-downs. Unused inputs should be tied off to appropriate levels. This is especially critical for unused control signal inputs which, if left floating, could adversely affect operation. Also, any input pin left floating can cause a slight increase in power consumption.

| Function                   | Pin Name        | Type   | Buffer | I/O Type         | Internal Resistor <sup>1</sup> | Notes                |
|----------------------------|-----------------|--------|--------|------------------|--------------------------------|----------------------|
| PCI Express Inter-<br>face | PE0RN[3:0]      | I      | CML    | Serial Link      |                                |                      |
|                            | PE0RP[3:0]      | I      |        |                  |                                |                      |
|                            | PE0TN[3:0]      | O      |        |                  |                                |                      |
|                            | PE0TP[3:0]      | O      |        |                  |                                |                      |
|                            | PE1RN[3:0]      | I      |        |                  |                                |                      |
|                            | PE1RP[3:0]      | I      |        |                  |                                |                      |
|                            | PE1TN[3:0]      | O      |        |                  |                                |                      |
|                            | PE1TP[3:0]      | O      |        |                  |                                |                      |
|                            | PE6RN[3:0]      | I      |        |                  |                                |                      |
|                            | PE6RP[3:0]      | I      |        |                  |                                |                      |
|                            | PE6TN[3:0]      | O      |        |                  |                                |                      |
|                            | PE6TP[3:0]      | O      |        |                  |                                |                      |
|                            | PE7RN[3:0]      | I      |        |                  |                                |                      |
|                            | PE7RP[3:0]      | I      |        |                  |                                |                      |
|                            | PE7TN[3:0]      | O      |        |                  |                                |                      |
|                            | PE7TP[3:0]      | O      |        |                  |                                |                      |
|                            | PEREFCLKN[2:1]  | I      |        |                  | LVPECL/<br>CML                 | Diff. Clock<br>Input |
|                            | PEREFCLKP[2:1]  | I      |        |                  |                                |                      |
| REFCLKM                    | I               | LVTTTL | Input  | pull-down        |                                |                      |
| SMBus                      | MSMBADDR[4:1]   | I      | LVTTTL | Input            | pull-up                        |                      |
|                            | MSMBCLK         | I/O    |        | STI <sup>2</sup> |                                | pull-up on board     |
|                            | MSMBDAT         | I/O    |        | STI              |                                | pull-up on board     |
|                            | SSMBADDR[5,3:1] | I      |        | Input            | pull-up                        |                      |
|                            | SSMBCLK         | I/O    |        | STI              |                                | pull-up on board     |
|                            | SSMBDAT         | I/O    |        | STI              |                                | pull-up on board     |
| General Purpose I/O        | GPIO[12,11,8:0] | I/O    | LVTTTL | High Drive       | pull-up                        |                      |
| System Pins                | CCLKDS          | I      | LVTTTL | Input            | pull-up                        |                      |
|                            | CCLKUS          | I      |        |                  | pull-up                        |                      |
|                            | MSMBSMODE       | I      |        |                  | pull-down                      |                      |
|                            | PERSTN          | I      |        |                  |                                |                      |
|                            | P01MERGEN       | I      |        |                  | pull-down                      |                      |
|                            | P67MERGEN       | I      |        |                  | pull-down                      |                      |
|                            | RSTHALT         | I      |        |                  | pull-down                      |                      |
|                            | SWMODE[2:0]     | I      |        |                  | pull-down                      |                      |

Table 8 Pin Characteristics (Part 1 of 2)



| Function     | Pin Name    | Type | Buffer | I/O Type | Internal Resistor <sup>1</sup> | Notes              |
|--------------|-------------|------|--------|----------|--------------------------------|--------------------|
| EJTAG / JTAG | JTAG_TCK    | I    | LVTTTL | STI      | pull-up                        |                    |
|              | JTAG_TDI    | I    |        | STI      | pull-up                        |                    |
|              | JTAG_TDO    | O    |        |          |                                |                    |
|              | JTAG_TMS    | I    |        | STI      | pull-up                        |                    |
|              | JTAG_TRST_N | I    |        | STI      | pull-up                        | External pull-down |

Table 8 Pin Characteristics (Part 2 of 2)

<sup>1</sup> Internal resistor values under typical operating conditions are 54K  $\Omega$  for pull-up and 251K  $\Omega$  for pull-down.

<sup>2</sup> Schmitt Trigger Input (STI).

## Logic Diagram — PES16T4

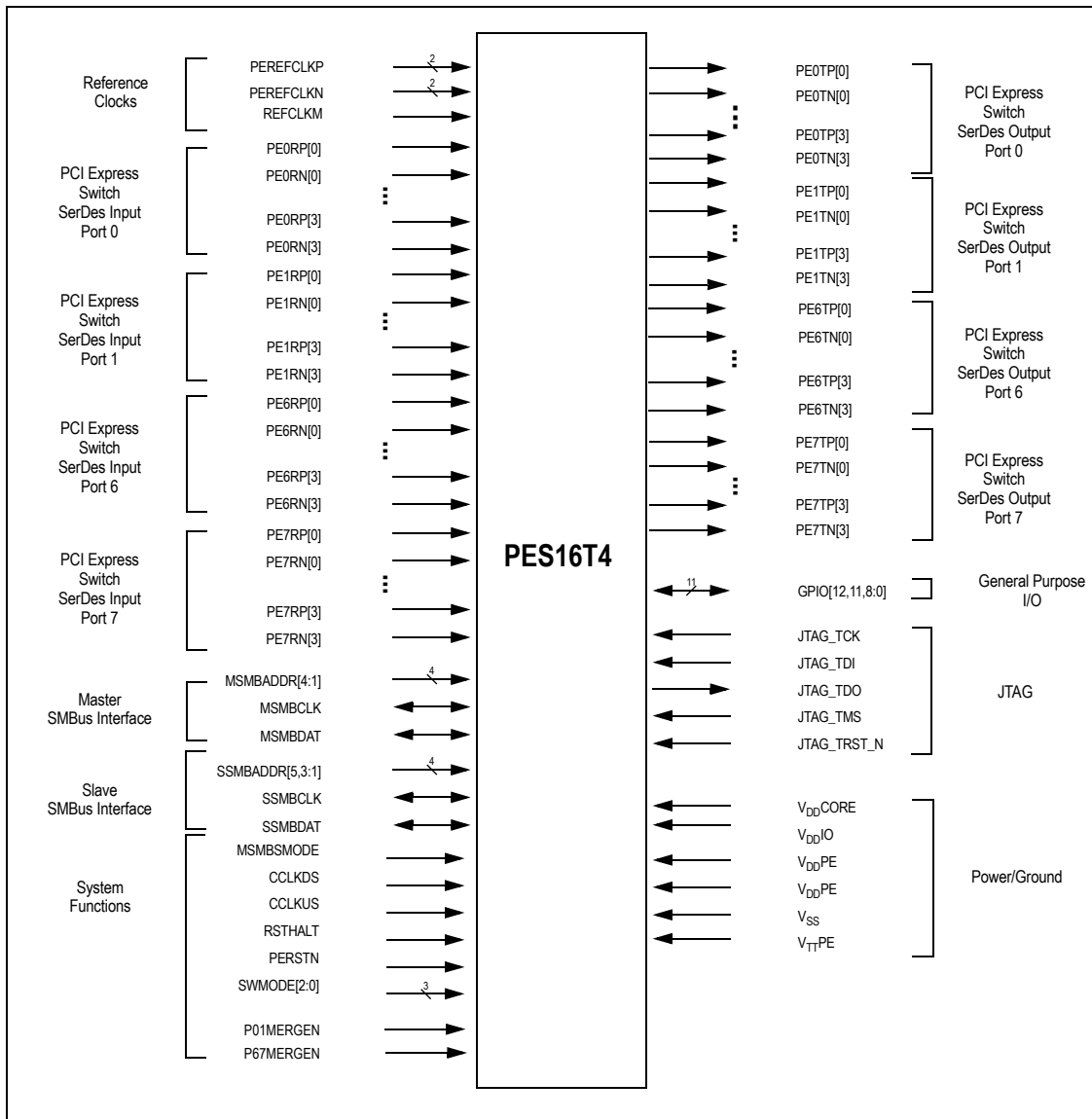


Figure 4 PES16T4 Logic Diagram

## System Clock Parameters

Values based on systems running at recommended supply voltages and operating temperatures, as shown in Tables 13 and 14.

| Parameter                         | Description                                   | Min | Typical | Max              | Unit              |
|-----------------------------------|---|-----|---------|------------------|-------------------|
| Refclk <sub>FREQ</sub>            | Input reference clock frequency range         | 100 |         | 125 <sup>1</sup> | MHz               |
| Refclk <sub>DC</sub> <sup>2</sup> | Duty cycle of input clock                     | 40  | 50      | 60               | %                 |
| T <sub>R</sub> , T <sub>F</sub>   | Rise/Fall time of input clocks                |     |         | 0.2*RCUI         | RCUI <sup>3</sup> |
| V <sub>SW</sub>                   | Differential input voltage swing <sup>4</sup> | 0.6 |         | 1.6              | V                 |
| T <sub>jitter</sub>               | Input clock jitter (cycle-to-cycle)           |     |         | 125              | ps                |
| R <sub>T</sub>                    | Termination Resistor                          |     | 110     |                  | Ohms              |

**Table 9 Input Clock Requirements**

<sup>1</sup> The input clock frequency will be either 100 or 125 MHz depending on signal REFCLKM.

<sup>2</sup> ClkIn must be AC coupled. Use 0.01 — 0.1 μF ceramic capacitors.

<sup>3</sup> RCUI (Reference Clock Unit Interval) refers to the reference clock period.

<sup>4</sup> AC coupling required.

## AC Timing Characteristics

| Parameter                                   | Description  | Min <sup>1</sup> | Typical <sup>1</sup> | Max <sup>1</sup> | Units |
|---|--|------------------|----------------------|------------------|-------|
| <b>PCIe Transmit</b>                        |  |                  |                      |                  |       |
| UI  | Unit Interval  | 399.88           | 400                  | 400.12           | ps    |
| T <sub>TX-EYE</sub>                         | Minimum Tx Eye Width   | 0.7              | .9                   |                  | UI    |
| T <sub>TX-EYE-MEDIAN-to-MAX-JITTER</sub>    | Maximum time between the jitter median and maximum deviation from the median |                  |                      | 0.15             | UI    |
| T <sub>TX-RISE</sub> , T <sub>TX-FALL</sub> | D+ / D- Tx output rise/fall time   | 50               | 90                   |                  | ps    |
| T <sub>TX-IDLE-MIN</sub>                    | Minimum time in idle   | 50               |                      |                  | UI    |
| T <sub>TX-IDLE-SET-TO-IDLE</sub>            | Maximum time to transition to a valid Idle after sending an Idle ordered set |                  |                      | 20               | UI    |
| T <sub>TX-IDLE-TO-DIFF-DATA</sub>           | Maximum time to transition from valid idle to diff data                      |                  |                      | 20               | UI    |
| T <sub>TX-SKEW</sub>                        | Transmitter data skew between any 2 lanes                                    |                  | 500                  | 1300             | ps    |
| <b>PCIe Receive</b>                         |  |                  |                      |                  |       |
| UI  | Unit Interval  | 399.88           | 400                  | 400.12           | ps    |
| T <sub>RX-EYE (with jitter)</sub>           | Minimum Receiver Eye Width (jitter tolerance)                                | 0.4              |                      |                  | UI    |
| T <sub>RX-EYE-MEDIUM TO MAX JITTER</sub>    | Max time between jitter median & max deviation                               |                  |                      | 0.3              | UI    |
| T <sub>RX-IDLE-DET-DIFF-ENTER TIME</sub>    | Unexpected Idle Enter Detect Threshold Integration Time                      |                  |                      | 10               | ms    |
| T <sub>RX-SKEW</sub>                        | Lane to lane input skew  |                  |                      | 20               | ns    |

**Table 10 PCIe AC Timing Characteristics**

<sup>1</sup> Minimum, Typical, and Maximum values meet the requirements under PCI Specification 1.1

| Signal                  | Symbol           | Reference Edge | Min | Max | Unit | Timing Diagram Reference |
|-------------------------|------------------|----------------|-----|-----|------|--------------------------|
| <b>GPIO</b>             |                  |                |     |     |      |                          |
| GPIO[10:0] <sup>1</sup> | Tpw <sup>2</sup> | None           | 50  | —   | ns   |                          |

**Table 11 GPIO AC Timing Characteristics**

<sup>1</sup> GPIO signals must meet the setup and hold times if they are synchronous or the minimum pulse width if they are asynchronous.

<sup>2</sup> The values for this symbol were determined by calculation, not by testing.

| Signal                              | Symbol                 | Reference Edge   | Min  | Max  | Unit | Timing Diagram Reference |
|-------------------------------------|------------------------|------------------|------|------|------|--------------------------|
| <b>JTAG</b>                         |                        |                  |      |      |      |                          |
| JTAG_TCK                            | Tper_16a               | none             | 50.0 | —    | ns   | See Figure 5.            |
|                                     | Thigh_16a,<br>Tlow_16a |                  | 10.0 | 25.0 | ns   |                          |
| JTAG_TMS <sup>1</sup> ,<br>JTAG_TDI | Tsu_16b                | JTAG_TCK rising  | 2.4  | —    | ns   |                          |
|                                     | Thld_16b               |                  | 1.0  | —    | ns   |                          |
| JTAG_TDO                            | Tdo_16c                | JTAG_TCK falling | —    | 20   | ns   |                          |
|                                     | Tdz_16c <sup>2</sup>   |                  | —    | 20   | ns   |                          |
| JTAG_TRST_N                         | Tpw_16d <sup>2</sup>   | none             | 25.0 | —    | ns   |                          |

**Table 12 JTAG AC Timing Characteristics**

<sup>1</sup> The JTAG specification, IEEE 1149.1, recommends that JTAG\_TMS should be held at 1 while the signal applied at JTAG\_TRST\_N changes from 0 to 1. Otherwise, a race may occur if JTAG\_TRST\_N is deasserted (going from low to high) on a rising edge of JTAG\_TCK when JTAG\_TMS is low, because the TAP controller might go to either the Run-Test/Idle state or stay in the Test-Logic-Reset state.

<sup>2</sup> The values for this symbol were determined by calculation, not by testing.

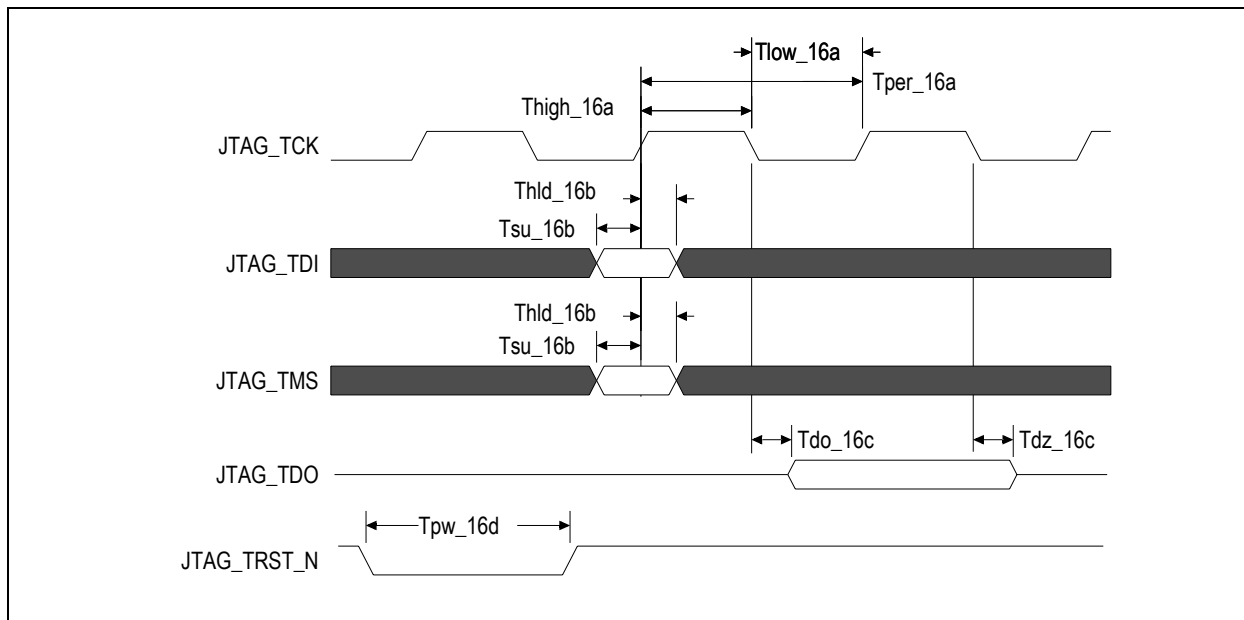


Figure 5 JTAG AC Timing Waveform

### Recommended Operating Supply Voltages

| Symbol               | Parameter  | Minimum | Typical | Maximum | Unit |
|----------------------|--|---------|---------|---------|------|
| V <sub>DD</sub> CORE | Internal logic supply                                | 0.9     | 1.0     | 1.1     | V    |
| V <sub>DD</sub> I/O  | I/O supply except for SerDes LVPECL/CML              | 3.0     | 3.3     | 3.6     | V    |
| V <sub>DD</sub> PE   | PCI Express Digital Power                            | 0.9     | 1.0     | 1.1     | V    |
| V <sub>DD</sub> APE  | PCI Express Analog Power                             | 0.9     | 1.0     | 1.1     | V    |
| V <sub>TT</sub> PE   | PCI Express Serial Data Transmit Termination Voltage | 1.425   | 1.5     | 1.575   | V    |
| V <sub>SS</sub>      | Common ground  | 0       | 0       | 0       | V    |

Table 13 PES16T4 Operating Voltages

### Power-Up Sequence

This section describes the sequence in which various voltages must be applied to the part during power-up to ensure proper functionality. For the PES16T4, the power-up sequence must be as follows:

1. V<sub>DD</sub>I/O — 3.3V
2. V<sub>DD</sub>Core, V<sub>DD</sub>PE, V<sub>DD</sub>APE — 1.0V
3. V<sub>TT</sub>PE — 1.5V

When powering up, each voltage level must ramp and stabilize prior to applying the next voltage in the sequence to ensure internal latch-up issues are avoided. There are no maximum time limitations in ramping to valid power levels. The power-down sequence must be in the reverse order of the power-up sequence.

## Recommended Operating Temperature

| Grade      | Temperature          |
|------------|----------------------|
| Commercial | 0°C to +70°C Ambient |

Table 14 PES16T4 Operating Temperatures

## Power Consumption

Typical power is measured under the following conditions: 25°C Ambient, 35% total link usage on all ports, typical voltages defined in Table 13 (and also listed below).

Maximum power is measured under the following conditions: 70°C Ambient, 85% total link usage on all ports, maximum voltages defined in Table 13 (and also listed below).

| Number of active Lanes per Port |       | Core Supply |          | PCIe Digital Supply |          | PCIe Analog Supply |          | PCIe Termination Supply |            | I/O Supply |          | Total     |           |
|---------------------------------|-------|-------------|----------|---------------------|----------|--------------------|----------|-------------------------|------------|------------|----------|-----------|-----------|
|                                 |       | Typ 1.0V    | Max 1.1V | Typ 1.0V            | Max 1.1V | Typ 1.0V           | Max 1.1V | Typ 1.5V                | Max 1.575V | Typ 3.3V   | Max 3.6V | Typ Power | Max Power |
| 4/4/4/4                         | mA    | 598         | 756      | 730                 | 873      | 308                | 342      | 371                     | 436        | 1          | 1        | 2.2W      | 2.9W      |
|                                 | Watts | 0.6         | 0.83     | 0.73                | 0.96     | 0.31               | 0.38     | 0.56                    | 0.69       | 0.004      | 0.004    |           |           |
| 4/4/1/1                         | mA    | 528         | 642      | 548                 | 631      | 279                | 298      | 220                     | 270        | 1          | 1        | 1.69W     | 2.2W      |
|                                 | Watts | 0.53        | 0.71     | 0.55                | 0.69     | 0.28               | 0.33     | 0.33                    | 0.43       | 0.003      | 0.003    |           |           |

Table 15 PES16T4 Power Consumption

## Thermal Considerations

This section describes thermal considerations for the PES16T4 (23mm<sup>2</sup> BCG484 package). The data in Table 16 below contains information that is relevant to the thermal performance of the PES16T4 switch.

| Symbol                   | Parameter   | Value | Units | Conditions                            |
|--------------------------|---|-------|-------|---------------------------------------|
| $T_{J(max)}$             | Junction Temperature                              | 125   | °C    | Maximum                               |
| $T_{A(max)}$             | Ambient Temperature                               | 70    | °C    | Maximum for commercial-rated products |
| $\theta_{JA(effective)}$ | Effective Thermal Resistance, Junction-to-Ambient | 11.5  | °C/W  | Zero air flow                         |
|                          |   | 9.6   | °C/W  | 1 m/S air flow                        |
|                          |   | 9.0   | °C/W  | 2 m/S air flow                        |
| $\theta_{JB}$            | Thermal Resistance, Junction-to-Board             | 10.9  | °C/W  |                                       |
| $\theta_{JC}$            | Thermal Resistance, Junction-to-Case              | 5     | °C/W  |                                       |
| P                        | Power Dissipation of the Device                   | 2.9   | Watts | Maximum                               |

Table 16 Thermal Specifications for PES16T4, 23x23mm BCG484 Package

**Note:** The parameter  $\theta_{JA(eff)}$  is not the *absolute* thermal resistance for the package as defined by JEDEC (JESD-51). Because resistance can vary with the number of board layers, size of the board, and airflow,  $\theta_{JA(eff)}$  is the *effective* thermal resistance. The values for effective  $\theta_{JA}$  given above are based on a 10-layer, standard height, full length (4.3"x12.2") PCIe add-in card.

## Heat Sink

Table 17 lists heat sink requirements for the PES16T4 under three common usage scenarios. As shown in this table, a heat sink is not required in most cases.

| Air Flow      | Board Size                                      | Board Layers | Heat Sink Requirement |
|---------------|---|--------------|-----------------------|
| Zero          | 3.9"x6.2" (ExpressModule form factor) or larger | 6 or more    | No heat sink required |
| Zero          | Any   | 10 or more   | No heat sink required |
| 1 m/S or more | Any   | Any          | No heat sink required |

Table 17 Heat Sink Requirements Based on Air Flow and Board Characteristics

## Thermal Usage Examples

The junction-to-ambient thermal resistance is a measure of a device's ability to dissipate heat from the die to its surroundings in the absence of a heat sink. The general formula to determine  $\theta_{JA}$  is:

$$\theta_{JA} = (T_J - T_A)/P$$

Thermal reliability of a device is generally assured when the actual value of  $T_J$  in the specific system environment being considered is less than the maximum  $T_J$  specified for the device. Using an ambient temperature of 70°C and assuming a system with 1m/S airflow, the actual value of  $T_J$  is:

$$T_{J(actual)} = T_A + P * \theta_{JA(eff)} = 70^\circ C + 2.9W * 9.6W/^\circ C = 98^\circ C$$

The actual  $T_J$  of 98°C is well below the maximum  $T_J$  of 125°C specified for the device (shown in Table 16). Therefore, no heat sink is needed in this scenario. The formula is also useful from a system design perspective. It can be used to determine if a heat sink should be added to the device based on some desired value of  $T_J$ . For example, if for reliability purposes the desired  $T_J$  is 100°C, then the maximum allowable  $T_A$  is:

$$T_{A(allowed)} = T_{J(desired)} - (P * \theta_{JA(effective)})$$

$$T_{A(allowed)} = 100^\circ C - (2.9W * 9.6W/^\circ C) = 100^\circ C - 28^\circ C = 72^\circ C$$

An appropriate level of increased air flow and/or a heat sink can be added to achieve this lower ambient temperature. Please contact [ssdhelp@idt.com](mailto:ssdhelp@idt.com) for further assistance.

## DC Electrical Characteristics

Values based on systems running at recommended supply voltages, as shown in Table 13.

**Note:** See Table 8, Pin Characteristics, for a complete I/O listing.

| I/O Type                  | Parameter                        | Description   | Min <sup>1</sup> | Typ <sup>1</sup> | Max <sup>1</sup> | Unit     | Conditions |
|---------------------------|----------------------------------|---|------------------|------------------|------------------|----------|------------|
| Serial Link               | <b>PCIe Transmit</b>             |   |                  |                  |                  |          |            |
|                           | $V_{TX-DIFFp-p}$                 | Differential peak-to-peak output voltage                | 800              |                  | 1200             | mV       |            |
|                           | $V_{TX-DE-RATIO}$                | De-emphasized differential output voltage               | -3               |                  | -4               | dB       |            |
|                           | $V_{TX-DC-CM}$                   | DC Common mode voltage                                  | -0.1             | 1                | 3.7              | V        |            |
|                           | $V_{TX-CM-ACP}$                  | RMS AC peak common mode output voltage                  |                  |                  | 20               | mV       |            |
|                           | $V_{TX-CM-DC-active-idle-delta}$ | Abs delta of DC common mode voltage between L0 and idle |                  |                  | 100              | mV       |            |
|                           | $V_{TX-CM-DC-line-delta}$        | Abs delta of DC common mode voltage between D+ and D-   |                  |                  | 25               | mV       |            |
|                           | $V_{TX-Idle-DiffP}$              | Electrical idle diff peak output                        |                  |                  | 20               | mV       |            |
|                           | $V_{TX-RCV-Detect}$              | Voltage change during receiver detection                |                  |                  | 600              | mV       |            |
|                           | $RL_{TX-DIFF}$                   | Transmitter Differential Return loss                    | 12               |                  |                  | dB       |            |
|                           | $RL_{TX-CM}$                     | Transmitter Common Mode Return loss                     | 6                |                  |                  | dB       |            |
|                           | $Z_{TX-DEFF-DC}$                 | DC Differential TX impedance                            | 80               | 100              | 120              | $\Omega$ |            |
|                           | $Z_{OSE}$                        | Single ended TX Impedance                               | 40               | 50               | 60               | $\Omega$ |            |
|                           | Transmitter Eye Diagram          | TX Eye Height (De-emphasized bits)                      | 505              | 650              |                  | mV       |            |
| Transmitter Eye Diagram   | TX Eye Height (Transition bits)  | 800   | 950              |                  | mV               |          |            |
| Serial Link (cont.)       | <b>PCIe Receive</b>              |   |                  |                  |                  |          |            |
|                           | $V_{RX-DIFFp-p}$                 | Differential input voltage (peak-to-peak)               | 175              |                  | 1200             | mV       |            |
|                           | $V_{RX-CM-AC}$                   | Receiver common-mode voltage for AC coupling            |                  |                  | 150              | mV       |            |
|                           | $RL_{RX-DIFF}$                   | Receiver Differential Return Loss                       | 15               |                  |                  | dB       |            |
|                           | $RL_{RX-CM}$                     | Receiver Common Mode Return Loss                        | 6                |                  |                  | dB       |            |
|                           | $Z_{RX-DIFF-DC}$                 | Differential input impedance (DC)                       | 80               | 100              | 120              | $\Omega$ |            |
|                           | $Z_{RX-COMM-DC}$                 | Single-ended input impedance                            | 40               | 50               | 60               | $\Omega$ |            |
|                           | $Z_{RX-COMM-HIGH-Z-DC}$          | Powered down input common mode impedance (DC)           | 200k             | 350k             |                  | $\Omega$ |            |
| $V_{RX-IDLE-DET-DIFFp-p}$ | Electrical idle detect threshold | 65  |                  | 175              | mV               |          |            |
| <b>PCIe REFCLK</b>        |                                  |   |                  |                  |                  |          |            |
|                           | $C_{IN}$                         | Input Capacitance                                       | 1.5              | —                |                  | pF       |            |

Table 18 DC Electrical Characteristics (Part 1 of 2)

| I/O Type                    | Parameter                               | Description | Min <sup>1</sup> | Typ <sup>1</sup> | Max <sup>1</sup>          | Unit | Conditions                |
|-----------------------------|---|-------------|------------------|------------------|---------------------------|------|---------------------------|
| <b>Other I/Os</b>           |   |             |                  |                  |                           |      |                           |
| LOW Drive Output            | I <sub>OL</sub>                         |             | —                | 2.5              | —                         | mA   | V <sub>OL</sub> = 0.4v    |
|                             | I <sub>OH</sub>                         |             | —                | -5.5             | —                         | mA   | V <sub>OH</sub> = 1.5V    |
| High Drive Output           | I <sub>OL</sub>                         |             | —                | 12.0             | —                         | mA   | V <sub>OL</sub> = 0.4v    |
|                             | I <sub>OH</sub>                         |             | —                | -20.0            | —                         | mA   | V <sub>OH</sub> = 1.5V    |
| Schmitt Trigger Input (STI) | V <sub>IL</sub>                         |             | -0.3             | —                | 0.8                       | V    | —                         |
|                             | V <sub>IH</sub>                         |             | 2.0              | —                | V <sub>DD</sub> I/O + 0.5 | V    | —                         |
| Input                       | V <sub>IL</sub>                         |             | -0.3             | —                | 0.8                       | V    | —                         |
|                             | V <sub>IH</sub>                         |             | 2.0              | —                | V <sub>DD</sub> I/O + 0.5 | V    | —                         |
| Capacitance                 | C <sub>IN</sub>                         |             | —                | —                | 8.5                       | pF   | —                         |
| Leakage                     | Inputs                                  |             | —                | —                | ± 10                      | μA   | V <sub>DD</sub> I/O (max) |
|                             | I/O <sub>LEAK</sub> w/o Pull-ups/downs  |             | —                | —                | ± 10                      | μA   | V <sub>DD</sub> I/O (max) |
|                             | I/O <sub>LEAK</sub> WITH Pull-ups/downs |             | —                | —                | ± 80                      | μA   | V <sub>DD</sub> I/O (max) |

Table 18 DC Electrical Characteristics (Part 2 of 2)

<sup>1</sup>: Minimum, Typical, and Maximum values meet the requirements under PCI Specification 1.1.



## Package Pinout — 484-BGA Signal Pinout for PES16T4

The following table lists the pin numbers and signal names for the PES16T4 device.

| Pin | Function           | Alt | Pin | Function             | Alt | Pin | Function             | Alt | Pin | Function             | Alt |
|-----|--------------------|-----|-----|----------------------|-----|-----|----------------------|-----|-----|----------------------|-----|
| A1  | V <sub>SS</sub>    |     | B13 | V <sub>SS</sub>      |     | D3  | SSMBCLK              |     | E15 | V <sub>DD</sub> PE   |     |
| A2  | V <sub>SS</sub>    |     | B14 | PE0TP02              |     | D4  | V <sub>SS</sub>      |     | E16 | V <sub>DD</sub> PE   |     |
| A3  | V <sub>SS</sub>    |     | B15 | V <sub>SS</sub>      |     | D5  | PE1RP03              |     | E17 | V <sub>SS</sub>      |     |
| A4  | PE1TN03            |     | B16 | PE0TP01              |     | D6  | V <sub>SS</sub>      |     | E18 | V <sub>DD</sub> APE  |     |
| A5  | V <sub>SS</sub>    |     | B17 | V <sub>SS</sub>      |     | D7  | PE1RP02              |     | E19 | V <sub>SS</sub>      |     |
| A6  | PE1TP02            |     | B18 | PE0TP00              |     | D8  | V <sub>SS</sub>      |     | E20 | SWMODE_0             |     |
| A7  | V <sub>SS</sub>    |     | B19 | V <sub>SS</sub>      |     | D9  | PE1RN01              |     | E21 | SWMODE_1             |     |
| A8  | PE1TN01            |     | B20 | V <sub>SS</sub>      |     | D10 | V <sub>SS</sub>      |     | E22 | V <sub>DD</sub> CORE |     |
| A9  | V <sub>SS</sub>    |     | B21 | V <sub>SS</sub>      |     | D11 | PE1RP00              |     | F1  | V <sub>SS</sub>      |     |
| A10 | PE1TP00            |     | B22 | V <sub>SS</sub>      |     | D12 | V <sub>SS</sub>      |     | F2  | V <sub>DD</sub> IO   |     |
| A11 | V <sub>SS</sub>    |     | C1  | V <sub>DD</sub> CORE |     | D13 | PE0RP03              |     | F3  | V <sub>DD</sub> IO   |     |
| A12 | PE0TN03            |     | C2  | SSMBADDR_3           |     | D14 | V <sub>SS</sub>      |     | F4  | V <sub>SS</sub>      |     |
| A13 | V <sub>SS</sub>    |     | C3  | SSMBDAT              |     | D15 | PE0RN02              |     | F5  | V <sub>DD</sub> CORE |     |
| A14 | PE0TN02            |     | C4  | V <sub>SS</sub>      |     | D16 | V <sub>TT</sub> PE   |     | F6  | V <sub>DD</sub> IO   |     |
| A15 | V <sub>SS</sub>    |     | C5  | PE1RN03              |     | D17 | PE0RP01              |     | F7  | V <sub>SS</sub>      |     |
| A16 | PE0TN01            |     | C6  | V <sub>SS</sub>      |     | D18 | V <sub>SS</sub>      |     | F8  | V <sub>DD</sub> PE   |     |
| A17 | V <sub>SS</sub>    |     | C7  | PE1RN02              |     | D19 | PE0RN00              |     | F9  | V <sub>DD</sub> APE  |     |
| A18 | PE0TN00            |     | C8  | V <sub>SS</sub>      |     | D20 | V <sub>SS</sub>      |     | F10 | V <sub>DD</sub> CORE |     |
| A19 | V <sub>SS</sub>    |     | C9  | PE1RP01              |     | D21 | V <sub>DD</sub> IO   |     | F11 | V <sub>DD</sub> PE   |     |
| A20 | V <sub>SS</sub>    |     | C10 | V <sub>SS</sub>      |     | D22 | V <sub>SS</sub>      |     | F12 | V <sub>DD</sub> IO   |     |
| A21 | V <sub>SS</sub>    |     | C11 | PE1RN00              |     | E1  | V <sub>DD</sub> CORE |     | F13 | V <sub>DD</sub> PE   |     |
| A22 | V <sub>SS</sub>    |     | C12 | V <sub>SS</sub>      |     | E2  | SSMBADDR_1           |     | F14 | V <sub>DD</sub> CORE |     |
| B1  | V <sub>SS</sub>    |     | C13 | PE0RN03              |     | E3  | SSMBADDR_5           |     | F15 | V <sub>DD</sub> APE  |     |
| B2  | V <sub>DD</sub> IO |     | C14 | V <sub>SS</sub>      |     | E4  | CCLKUS               |     | F16 | V <sub>DD</sub> CORE |     |
| B3  | V <sub>SS</sub>    |     | C15 | PE0RP02              |     | E5  | V <sub>SS</sub>      |     | F17 | V <sub>DD</sub> IO   |     |
| B4  | PE1TP03            |     | C16 | V <sub>SS</sub>      |     | E6  | V <sub>DD</sub> PE   |     | F18 | CCLKDS               |     |
| B5  | V <sub>SS</sub>    |     | C17 | PE0RN01              |     | E7  | V <sub>TT</sub> PE   |     | F19 | RSTHALT              |     |
| B6  | PE1TN02            |     | C18 | V <sub>SS</sub>      |     | E8  | V <sub>SS</sub>      |     | F20 | PERSTN               |     |
| B7  | V <sub>SS</sub>    |     | C19 | PE0RP00              |     | E9  | V <sub>DD</sub> APE  |     | F21 | SWMODE_2             |     |
| B8  | PE1TP01            |     | C20 | V <sub>SS</sub>      |     | E10 | V <sub>TT</sub> PE   |     | F22 | V <sub>SS</sub>      |     |
| B9  | V <sub>SS</sub>    |     | C21 | V <sub>DD</sub> APE  |     | E11 | V <sub>DD</sub> PE   |     | G1  | V <sub>DD</sub> CORE |     |
| B10 | PE1TN00            |     | C22 | V <sub>DD</sub> CORE |     | E12 | V <sub>DD</sub> PE   |     | G2  | MSMBADDR_4           |     |
| B11 | V <sub>SS</sub>    |     | D1  | V <sub>SS</sub>      |     | E13 | V <sub>TT</sub> PE   |     | G3  | MSMBCLK              |     |
| B12 | PE0TP03            |     | D2  | SSMBADDR_2           |     | E14 | V <sub>DD</sub> APE  |     | G4  | MSMBDAT              |     |

Table 19 PES16T4 484-pin Signal Pin-Out (Part 1 of 4)

| Pin | Function             | Alt | Pin | Function             | Alt | Pin | Function             | Alt | Pin | Function             | Alt |
|-----|----------------------|-----|-----|----------------------|-----|-----|----------------------|-----|-----|----------------------|-----|
| G5  | V <sub>SS</sub>      |     | H20 | GPIO_00              |     | K13 | V <sub>DD</sub> CORE |     | M6  | V <sub>SS</sub>      |     |
| G6  | V <sub>DD</sub> CORE |     | H21 | GPIO_01              |     | K14 | V <sub>SS</sub>      |     | M7  | V <sub>DD</sub> CORE |     |
| G7  | V <sub>SS</sub>      |     | H22 | V <sub>SS</sub>      |     | K15 | V <sub>DD</sub> CORE |     | M8  | V <sub>SS</sub>      |     |
| G8  | V <sub>SS</sub>      |     | J1  | V <sub>DD</sub> CORE |     | K16 | V <sub>SS</sub>      |     | M9  | V <sub>DD</sub> CORE |     |
| G9  | V <sub>SS</sub>      |     | J2  | JTAG_TDO             |     | K17 | V <sub>DD</sub> CORE |     | M10 | V <sub>SS</sub>      |     |
| G10 | V <sub>DD</sub> CORE |     | J3  | JTAG_TMS             |     | K18 | V <sub>SS</sub>      |     | M11 | V <sub>DD</sub> CORE |     |
| G11 | V <sub>SS</sub>      |     | J4  | JTAG_TRST_N          |     | K19 | GPIO_07              | 1   | M12 | V <sub>SS</sub>      |     |
| G12 | V <sub>SS</sub>      |     | J5  | V <sub>SS</sub>      |     | K20 | GPIO_06              |     | M13 | V <sub>DD</sub> CORE |     |
| G13 | V <sub>DD</sub> CORE |     | J6  | V <sub>SS</sub>      |     | K21 | GPIO_05              | 1   | M14 | V <sub>SS</sub>      |     |
| G14 | V <sub>SS</sub>      |     | J7  | V <sub>SS</sub>      |     | K22 | V <sub>SS</sub>      |     | M15 | V <sub>DD</sub> CORE |     |
| G15 | V <sub>SS</sub>      |     | J8  | V <sub>DD</sub> CORE |     | L1  | V <sub>DD</sub> CORE |     | M16 | V <sub>SS</sub>      |     |
| G16 | V <sub>SS</sub>      |     | J9  | V <sub>SS</sub>      |     | L2  | V <sub>DD</sub> CORE |     | M17 | V <sub>DD</sub> CORE |     |
| G17 | V <sub>SS</sub>      |     | J10 | V <sub>DD</sub> CORE |     | L3  | V <sub>SS</sub>      |     | M18 | V <sub>SS</sub>      |     |
| G18 | V <sub>DD</sub> APE  |     | J11 | V <sub>SS</sub>      |     | L4  | V <sub>DD</sub> CORE |     | M19 | V <sub>SS</sub>      |     |
| G19 | V <sub>SS</sub>      |     | J12 | V <sub>DD</sub> CORE |     | L5  | V <sub>SS</sub>      |     | M20 | V <sub>DD</sub> IO   |     |
| G20 | V <sub>DD</sub> APE  |     | J13 | V <sub>SS</sub>      |     | L6  | V <sub>DD</sub> CORE |     | M21 | V <sub>SS</sub>      |     |
| G21 | V <sub>DD</sub> IO   |     | J14 | V <sub>SS</sub>      |     | L7  | V <sub>SS</sub>      |     | M22 | V <sub>SS</sub>      |     |
| G22 | V <sub>DD</sub> CORE |     | J15 | V <sub>SS</sub>      |     | L8  | V <sub>DD</sub> CORE |     | N1  | PEREFCLKP1           |     |
| H1  | V <sub>SS</sub>      |     | J16 | V <sub>SS</sub>      |     | L9  | V <sub>SS</sub>      |     | N2  | V <sub>SS</sub>      |     |
| H2  | MSMBADDR_1           |     | J17 | V <sub>DD</sub> IO   |     | L10 | V <sub>DD</sub> CORE |     | N3  | V <sub>DD</sub> CORE |     |
| H3  | MSMBADDR_2           |     | J18 | V <sub>DD</sub> CORE |     | L11 | V <sub>SS</sub>      |     | N4  | V <sub>DD</sub> CORE |     |
| H4  | MSMBADDR_3           |     | J19 | GPIO_04              | 1   | L12 | V <sub>DD</sub> CORE |     | N5  | V <sub>SS</sub>      |     |
| H5  | V <sub>DD</sub> CORE |     | J20 | GPIO_03              |     | L13 | V <sub>SS</sub>      |     | N6  | V <sub>DD</sub> APE  |     |
| H6  | V <sub>SS</sub>      |     | J21 | GPIO_02              |     | L14 | V <sub>DD</sub> CORE |     | N7  | V <sub>SS</sub>      |     |
| H7  | V <sub>DD</sub> CORE |     | J22 | V <sub>DD</sub> CORE |     | L15 | V <sub>SS</sub>      |     | N8  | V <sub>DD</sub> CORE |     |
| H8  | V <sub>SS</sub>      |     | K1  | V <sub>SS</sub>      |     | L16 | V <sub>SS</sub>      |     | N9  | V <sub>SS</sub>      |     |
| H9  | V <sub>DD</sub> CORE |     | K2  | V <sub>DD</sub> IO   |     | L17 | V <sub>SS</sub>      |     | N10 | V <sub>DD</sub> CORE |     |
| H10 | V <sub>SS</sub>      |     | K3  | JTAG_TDI             |     | L18 | V <sub>DD</sub> CORE |     | N11 | V <sub>SS</sub>      |     |
| H11 | V <sub>DD</sub> CORE |     | K4  | JTAG_TCK             |     | L19 | V <sub>SS</sub>      |     | N12 | V <sub>DD</sub> CORE |     |
| H12 | V <sub>SS</sub>      |     | K5  | V <sub>DD</sub> CORE |     | L20 | V <sub>SS</sub>      |     | N13 | V <sub>SS</sub>      |     |
| H13 | V <sub>DD</sub> CORE |     | K6  | V <sub>SS</sub>      |     | L21 | V <sub>DD</sub> IO   |     | N14 | V <sub>DD</sub> CORE |     |
| H14 | V <sub>SS</sub>      |     | K7  | V <sub>DD</sub> CORE |     | L22 | V <sub>DD</sub> CORE |     | N15 | V <sub>SS</sub>      |     |
| H15 | V <sub>DD</sub> CORE |     | K8  | V <sub>SS</sub>      |     | M1  | V <sub>SS</sub>      |     | N16 | V <sub>SS</sub>      |     |
| H16 | V <sub>SS</sub>      |     | K9  | V <sub>DD</sub> CORE |     | M2  | V <sub>SS</sub>      |     | N17 | V <sub>DD</sub> APE  |     |
| H17 | V <sub>DD</sub> CORE |     | K10 | V <sub>SS</sub>      |     | M3  | V <sub>SS</sub>      |     | N18 | V <sub>DD</sub> CORE |     |
| H18 | V <sub>SS</sub>      |     | K11 | V <sub>DD</sub> CORE |     | M4  | V <sub>SS</sub>      |     | N19 | V <sub>DD</sub> CORE |     |
| H19 | V <sub>SS</sub>      |     | K12 | V <sub>SS</sub>      |     | M5  | V <sub>DD</sub> CORE |     | N20 | V <sub>DD</sub> CORE |     |

Table 19 PES16T4 484-pin Signal Pin-Out (Part 2 of 4)

| Pin | Function             | Alt | Pin | Function             | Alt | Pin | Function             | Alt | Pin | Function             | Alt |
|-----|----------------------|-----|-----|----------------------|-----|-----|----------------------|-----|-----|----------------------|-----|
| N21 | V <sub>SS</sub>      |     | R14 | V <sub>DD</sub> CORE |     | U7  | V <sub>DD</sub> IO   |     | V22 | V <sub>DD</sub> CORE |     |
| N22 | PEREFCLKN2           |     | R15 | V <sub>SS</sub>      |     | U8  | V <sub>DD</sub> PE   |     | W1  | V <sub>SS</sub>      |     |
| P1  | PEREFCLKN1           |     | R16 | V <sub>SS</sub>      |     | U9  | V <sub>DD</sub> APE  |     | W2  | V <sub>DD</sub> CORE |     |
| P2  | V <sub>SS</sub>      |     | R17 | V <sub>DD</sub> IO   |     | U10 | V <sub>DD</sub> PE   |     | W3  | V <sub>SS</sub>      |     |
| P3  | V <sub>SS</sub>      |     | R18 | V <sub>DD</sub> CORE |     | U11 | V <sub>SS</sub>      |     | W4  | V <sub>SS</sub>      |     |
| P4  | V <sub>SS</sub>      |     | R19 | GPIO_08              | 1   | U12 | V <sub>DD</sub> IO   |     | W5  | PE6RP00              |     |
| P5  | V <sub>SS</sub>      |     | R20 | GPIO_11              | 1   | U13 | V <sub>DD</sub> PE   |     | W6  | V <sub>SS</sub>      |     |
| P6  | V <sub>SS</sub>      |     | R21 | GPIO_12              | 1   | U14 | V <sub>DD</sub> APE  |     | W7  | PE6RP01              |     |
| P7  | V <sub>DD</sub> CORE |     | R22 | V <sub>SS</sub>      |     | U15 | V <sub>SS</sub>      |     | W8  | V <sub>SS</sub>      |     |
| P8  | V <sub>SS</sub>      |     | T1  | V <sub>DD</sub> CORE |     | U16 | V <sub>DD</sub> IO   |     | W9  | PE6RN02              |     |
| P9  | V <sub>DD</sub> CORE |     | T2  | V <sub>SS</sub>      |     | U17 | V <sub>SS</sub>      |     | W10 | V <sub>SS</sub>      |     |
| P10 | V <sub>SS</sub>      |     | T3  | V <sub>SS</sub>      |     | U18 | V <sub>DD</sub> APE  |     | W11 | PE6RP03              |     |
| P11 | V <sub>DD</sub> CORE |     | T4  | V <sub>SS</sub>      |     | U19 | REFCLKM              |     | W12 | V <sub>SS</sub>      |     |
| P12 | V <sub>SS</sub>      |     | T5  | V <sub>SS</sub>      |     | U20 | MSMBSMODE            |     | W13 | PE7RP00              |     |
| P13 | V <sub>DD</sub> CORE |     | T6  | V <sub>DD</sub> IO   |     | U21 | V <sub>SS</sub>      |     | W14 | V <sub>SS</sub>      |     |
| P14 | V <sub>SS</sub>      |     | T7  | V <sub>DD</sub> CORE |     | U22 | V <sub>SS</sub>      |     | W15 | PE7RN01              |     |
| P15 | V <sub>DD</sub> CORE |     | T8  | V <sub>SS</sub>      |     | V1  | V <sub>DD</sub> CORE |     | W16 | V <sub>TT</sub> PE   |     |
| P16 | V <sub>SS</sub>      |     | T9  | V <sub>SS</sub>      |     | V2  | V <sub>SS</sub>      |     | W17 | PE7RP02              |     |
| P17 | V <sub>DD</sub> CORE |     | T10 | V <sub>DD</sub> CORE |     | V3  | V <sub>DD</sub> CORE |     | W18 | V <sub>SS</sub>      |     |
| P18 | V <sub>SS</sub>      |     | T11 | V <sub>SS</sub>      |     | V4  | V <sub>SS</sub>      |     | W19 | PE7RN03              |     |
| P19 | V <sub>SS</sub>      |     | T12 | V <sub>SS</sub>      |     | V5  | V <sub>SS</sub>      |     | W20 | V <sub>SS</sub>      |     |
| P20 | V <sub>SS</sub>      |     | T13 | V <sub>DD</sub> CORE |     | V6  | V <sub>DD</sub> PE   |     | W21 | V <sub>DD</sub> CORE |     |
| P21 | V <sub>SS</sub>      |     | T14 | V <sub>SS</sub>      |     | V7  | V <sub>TT</sub> PE   |     | W22 | V <sub>SS</sub>      |     |
| P22 | PEREFCLKP2           |     | T15 | V <sub>SS</sub>      |     | V8  | V <sub>SS</sub>      |     | Y1  | V <sub>DD</sub> CORE |     |
| R1  | V <sub>SS</sub>      |     | T16 | V <sub>SS</sub>      |     | V9  | V <sub>DD</sub> APE  |     | Y2  | V <sub>SS</sub>      |     |
| R2  | V <sub>DD</sub> APE  |     | T17 | V <sub>DD</sub> CORE |     | V10 | V <sub>TT</sub> PE   |     | Y3  | V <sub>DD</sub> CORE |     |
| R3  | P01MERGEN            |     | T18 | V <sub>SS</sub>      |     | V11 | V <sub>DD</sub> PE   |     | Y4  | V <sub>SS</sub>      |     |
| R4  | P67MERGEN            |     | T19 | V <sub>SS</sub>      |     | V12 | V <sub>DD</sub> PE   |     | Y5  | PE6RN00              |     |
| R5  | V <sub>SS</sub>      |     | T20 | V <sub>SS</sub>      |     | V13 | V <sub>TT</sub> PE   |     | Y6  | V <sub>SS</sub>      |     |
| R6  | V <sub>DD</sub> IO   |     | T21 | V <sub>DD</sub> APE  |     | V14 | V <sub>DD</sub> APE  |     | Y7  | PE6RN01              |     |
| R7  | V <sub>SS</sub>      |     | T22 | V <sub>DD</sub> CORE |     | V15 | V <sub>DD</sub> PE   |     | Y8  | V <sub>SS</sub>      |     |
| R8  | V <sub>DD</sub> CORE |     | U1  | V <sub>SS</sub>      |     | V16 | V <sub>DD</sub> PE   |     | Y9  | PE6RP02              |     |
| R9  | V <sub>SS</sub>      |     | U2  | V <sub>DD</sub> CORE |     | V17 | V <sub>SS</sub>      |     | Y10 | V <sub>SS</sub>      |     |
| R10 | V <sub>DD</sub> CORE |     | U3  | V <sub>SS</sub>      |     | V18 | V <sub>DD</sub> APE  |     | Y11 | PE6RN03              |     |
| R11 | V <sub>SS</sub>      |     | U4  | V <sub>DD</sub> APE  |     | V19 | V <sub>SS</sub>      |     | Y12 | V <sub>SS</sub>      |     |
| R12 | V <sub>DD</sub> CORE |     | U5  | V <sub>SS</sub>      |     | V20 | V <sub>SS</sub>      |     | Y13 | PE7RN00              |     |
| R13 | V <sub>SS</sub>      |     | U6  | V <sub>DD</sub> APE  |     | V21 | V <sub>SS</sub>      |     | Y14 | V <sub>SS</sub>      |     |

Table 19 PES16T4 484-pin Signal Pin-Out (Part 3 of 4)

| Pin | Function             | Alt | Pin  | Function        | Alt | Pin  | Function             | Alt | Pin  | Function        | Alt |
|-----|----------------------|-----|------|-----------------|-----|------|----------------------|-----|------|-----------------|-----|
| Y15 | PE7RP01              |     | AA6  | PE6TN01         |     | AA19 | V <sub>SS</sub>      |     | AB10 | PE6TP03         |     |
| Y16 | V <sub>SS</sub>      |     | AA7  | V <sub>SS</sub> |     | AA20 | V <sub>SS</sub>      |     | AB11 | V <sub>SS</sub> |     |
| Y17 | PE7RN02              |     | AA8  | PE6TP02         |     | AA21 | V <sub>DD</sub> CORE |     | AB12 | PE7TN00         |     |
| Y18 | V <sub>SS</sub>      |     | AA9  | V <sub>SS</sub> |     | AA22 | V <sub>SS</sub>      |     | AB13 | V <sub>SS</sub> |     |
| Y19 | PE7RP03              |     | AA10 | PE6TN03         |     | AB1  | V <sub>SS</sub>      |     | AB14 | PE7TN01         |     |
| Y20 | V <sub>DD</sub> CORE |     | AA11 | V <sub>SS</sub> |     | AB2  | V <sub>SS</sub>      |     | AB15 | V <sub>SS</sub> |     |
| Y21 | V <sub>SS</sub>      |     | AA12 | PE7TP00         |     | AB3  | V <sub>SS</sub>      |     | AB16 | PE7TN02         |     |
| Y22 | V <sub>DD</sub> CORE |     | AA13 | V <sub>SS</sub> |     | AB4  | PE6TN00              |     | AB17 | V <sub>SS</sub> |     |
| AA1 | V <sub>SS</sub>      |     | AA14 | PE7TP01         |     | AB5  | V <sub>SS</sub>      |     | AB18 | PE7TN03         |     |
| AA2 | V <sub>DD</sub> CORE |     | AA15 | V <sub>SS</sub> |     | AB6  | PE6TP01              |     | AB19 | V <sub>SS</sub> |     |
| AA3 | V <sub>SS</sub>      |     | AA16 | PE7TP02         |     | AB7  | V <sub>SS</sub>      |     | AB20 | V <sub>SS</sub> |     |
| AA4 | PE6TP00              |     | AA17 | V <sub>SS</sub> |     | AB8  | PE6TN02              |     | AB21 | V <sub>SS</sub> |     |
| AA5 | V <sub>SS</sub>      |     | AA18 | PE7TP03         |     | AB9  | V <sub>SS</sub>      |     | AB22 | V <sub>SS</sub> |     |

Table 19 PES16T4 484-pin Signal Pin-Out (Part 4 of 4)

### Alternate Signal Functions

| Pin | GPIO    | Alternate  |
|-----|---------|------------|
| J19 | GPIO_04 | IOEXPINTN2 |
| K21 | GPIO_05 | IOEXPINTN3 |
| K19 | GPIO_07 | GPEN       |
| R19 | GPIO_08 | P1RSTN     |
| R20 | GPIO_11 | P6RSTN     |
| R21 | GPIO_12 | P7RSTN     |

Table 20 PES16T4 Alternate Signal Functions

## Power Pins

| V <sub>DDCore</sub> | V <sub>DDCore</sub> | V <sub>DDCore</sub> | V <sub>DDCore</sub> | V <sub>DDIO</sub> | V <sub>DDPE</sub> | V <sub>DDAPE</sub> | V <sub>TTPE</sub> |
|---------------------|---------------------|---------------------|---------------------|-------------------|-------------------|--------------------|-------------------|
| C1                  | J10                 | M7                  | R10                 | B2                | E6                | C21                | D16               |
| C22                 | J12                 | M9                  | R12                 | D21               | E11               | E9                 | E7                |
| E1                  | J18                 | M11                 | R14                 | F2                | E12               | E14                | E10               |
| E22                 | J22                 | M13                 | R18                 | F3                | E15               | E18                | E13               |
| F5                  | K5                  | M15                 | T1                  | F6                | E16               | F9                 | V7                |
| F10                 | K7                  | M17                 | T7                  | F12               | F8                | F15                | V10               |
| F14                 | K9                  | N3                  | T10                 | F17               | F11               | G18                | V13               |
| F16                 | K11                 | N4                  | T13                 | G21               | F13               | G20                | W16               |
| G1                  | K13                 | N8                  | T17                 | J17               | U8                | N6                 |                   |
| G6                  | K15                 | N10                 | T22                 | K2                | U10               | N17                |                   |
| G10                 | K17                 | N12                 | U2                  | L21               | U13               | R2                 |                   |
| G13                 | L1                  | N14                 | V1                  | M20               | V6                | T21                |                   |
| G22                 | L2                  | N18                 | V3                  | R6                | V11               | U4                 |                   |
| H5                  | L4                  | N19                 | V22                 | R17               | V12               | U6                 |                   |
| H7                  | L6                  | N20                 | W2                  | T6                | V15               | U9                 |                   |
| H9                  | L8                  | P7                  | W21                 | U7                | V16               | U14                |                   |
| H11                 | L10                 | P9                  | Y1                  | U12               |                   | U18                |                   |
| H13                 | L12                 | P11                 | Y3                  | U16               |                   | V9                 |                   |
| H15                 | L14                 | P13                 | Y20                 |                   |                   | V14                |                   |
| H17                 | L18                 | P15                 | Y22                 |                   |                   | V18                |                   |
| J1                  | L22                 | P17                 | AA2                 |                   |                   |                    |                   |
| J8                  | M5                  | R8                  | AA21                |                   |                   |                    |                   |

Table 21 PES16T4 Power Pins

## Ground Pins

| V <sub>SS</sub> | V <sub>SS</sub> | V <sub>SS</sub> | V <sub>SS</sub> | V <sub>SS</sub> | V <sub>SS</sub> | V <sub>SS</sub> |
|-----------------|-----------------|-----------------|-----------------|-----------------|-----------------|-----------------|
| A1              | C16             | H6              | L15             | P8              | U3              | Y16             |
| A2              | C18             | H8              | L16             | P10             | U5              | Y18             |
| A3              | C20             | H10             | L17             | P12             | U11             | Y21             |
| A5              | D1              | H12             | L19             | P14             | U15             | AA1             |
| A7              | D4              | H14             | L20             | P16             | U17             | AA3             |
| A9              | D6              | H16             | M1              | P18             | U21             | AA5             |
| A11             | D8              | H18             | M2              | P19             | U22             | AA7             |
| A13             | D10             | H19             | M3              | P20             | V2              | AA9             |
| A15             | D12             | H22             | M4              | P21             | V4              | AA11            |
| A17             | D14             | J5              | M6              | R1              | V5              | AA13            |
| A19             | D18             | J6              | M8              | R5              | V8              | AA15            |
| A20             | D20             | J7              | M10             | R7              | V17             | AA17            |
| A21             | D22             | J9              | M12             | R9              | V19             | AA19            |
| A22             | E5              | J11             | M14             | R11             | V20             | AA20            |
| B1              | E8              | J13             | M16             | R13             | V21             | AA22            |
| B3              | E17             | J14             | M18             | R15             | W1              | AB1             |
| B5              | E19             | J15             | M19             | R16             | W3              | AB2             |
| B7              | F1              | J16             | M21             | R22             | W4              | AB3             |
| B9              | F4              | K1              | M22             | T2              | W6              | AB5             |
| B11             | F7              | K6              | N2              | T3              | W8              | AB7             |
| B13             | F22             | K8              | N5              | T4              | W10             | AB9             |
| B15             | G5              | K10             | N7              | T5              | W12             | AB11            |
| B17             | G7              | K12             | N9              | T8              | W14             | AB13            |
| B19             | G8              | K14             | N11             | T9              | W18             | AB15            |
| B20             | G9              | K16             | N13             | T11             | W20             | AB17            |
| B21             | G11             | K18             | N15             | T12             | W22             | AB19            |
| B22             | G12             | K22             | N16             | T14             | Y2              | AB20            |
| C4              | G14             | L3              | N21             | T15             | Y4              | AB21            |
| C6              | G15             | L5              | P2              | T16             | Y6              | AB22            |
| C8              | G16             | L7              | P3              | T18             | Y8              |                 |
| C10             | G17             | L9              | P4              | T19             | Y10             |                 |
| C12             | G19             | L11             | P5              | T20             | Y12             |                 |
| C14             | H1              | L13             | P6              | U1              | Y14             |                 |

Table 22 PES16T4 Ground Pins

**Signals Listed Alphabetically**

| Signal Name | I/O Type | Location | Signal Category              |      |
|-------------|----------|----------|------------------------------|------|
| CCLKDS      | I        | F18      | System                       |      |
| CCLKUS      | I        | E4       |                              |      |
| GPIO_00     | I/O      | H20      | General Purpose Input/Output |      |
| GPIO_01     | I/O      | H21      |                              |      |
| GPIO_02     | I/O      | J21      |                              |      |
| GPIO_03     | I/O      | J20      |                              |      |
| GPIO_04     | I/O      | J19      |                              |      |
| GPIO_05     | I/O      | K21      |                              |      |
| GPIO_06     | I/O      | K20      |                              |      |
| GPIO_07     | I/O      | K19      |                              |      |
| GPIO_08     | I/O      | R19      |                              |      |
| GPIO_11     | I/O      | R20      |                              |      |
| GPIO_12     | I/O      | R21      |                              |      |
| JTAG_TCK    | I        | K4       |                              | JTAG |
| JTAG_TDI    | I        | K3       |                              |      |
| JTAG_TDO    | O        | J2       |                              |      |
| JTAG_TMS    | I        | J3       |                              |      |
| JTAG_TRST_N | I        | J4       |                              |      |
| MSMBADDR_1  | I        | H2       | SMBus                        |      |
| MSMBADDR_2  | I        | H3       |                              |      |
| MSMBADDR_3  | I        | H4       |                              |      |
| MSMBADDR_4  | I        | G2       |                              |      |
| MSMBCLK     | I/O      | G3       |                              |      |
| MSMBDAT     | I/O      | G4       |                              |      |
| MSMBSMODE   | I        | U20      | System                       |      |
| P01MERGEN   | I        | R3       | PCI Express                  |      |
| P67MERGEN   | I        | R4       |                              |      |
| PE0RN00     | I        | D19      |                              |      |
| PE0RN01     | I        | C17      |                              |      |
| PE0RN02     | I        | D15      |                              |      |
| PE0RN03     | I        | C13      |                              |      |
| PE0RP00     | I        | C19      |                              |      |
| PE0RP01     | I        | D17      |                              |      |
| PE0RP02     | I        | C15      |                              |      |

Table 23 89PES16T4 Alphabetical Signal List (Part 1 of 4)

| Signal Name | I/O Type | Location | Signal Category     |
|-------------|----------|----------|---------------------|
| PE0RP03     | I        | D13      | PCI Express (Cont.) |
| PE0TN00     | O        | A18      |                     |
| PE0TN01     | O        | A16      |                     |
| PE0TN02     | O        | A14      |                     |
| PE0TN03     | O        | A12      |                     |
| PE0TP00     | O        | B18      |                     |
| PE0TP01     | O        | B16      |                     |
| PE0TP02     | O        | B14      |                     |
| PE0TP03     | O        | B12      |                     |
| PE1RN00     | I        | C11      |                     |
| PE1RN01     | I        | D9       |                     |
| PE1RN02     | I        | C7       |                     |
| PE1RN03     | I        | C5       |                     |
| PE1RP00     | I        | D11      |                     |
| PE1RP01     | I        | C9       |                     |
| PE1RP02     | I        | D7       |                     |
| PE1RP03     | I        | D5       |                     |
| PE1TN00     | O        | B10      |                     |
| PE1TN01     | O        | A8       |                     |
| PE1TN02     | O        | B6       |                     |
| PE1TN03     | O        | A4       |                     |
| PE1TP00     | O        | A10      |                     |
| PE1TP01     | O        | B8       |                     |
| PE1TP02     | O        | A6       |                     |
| PE1TP03     | O        | B4       |                     |
| PE6RN00     | I        | Y5       |                     |
| PE6RN01     | I        | Y7       |                     |
| PE6RN02     | I        | W9       |                     |
| PE6RN03     | I        | Y11      |                     |
| PE6RP00     | I        | W5       |                     |
| PE6RP01     | I        | W7       |                     |
| PE6RP02     | I        | Y9       |                     |
| PE6RP03     | I        | W11      |                     |
| PE6TN00     | O        | AB4      |                     |
| PE6TN01     | O        | AA6      |                     |
| PE6TN02     | O        | AB8      |                     |

Table 23 89PES16T4 Alphabetical Signal List (Part 2 of 4)



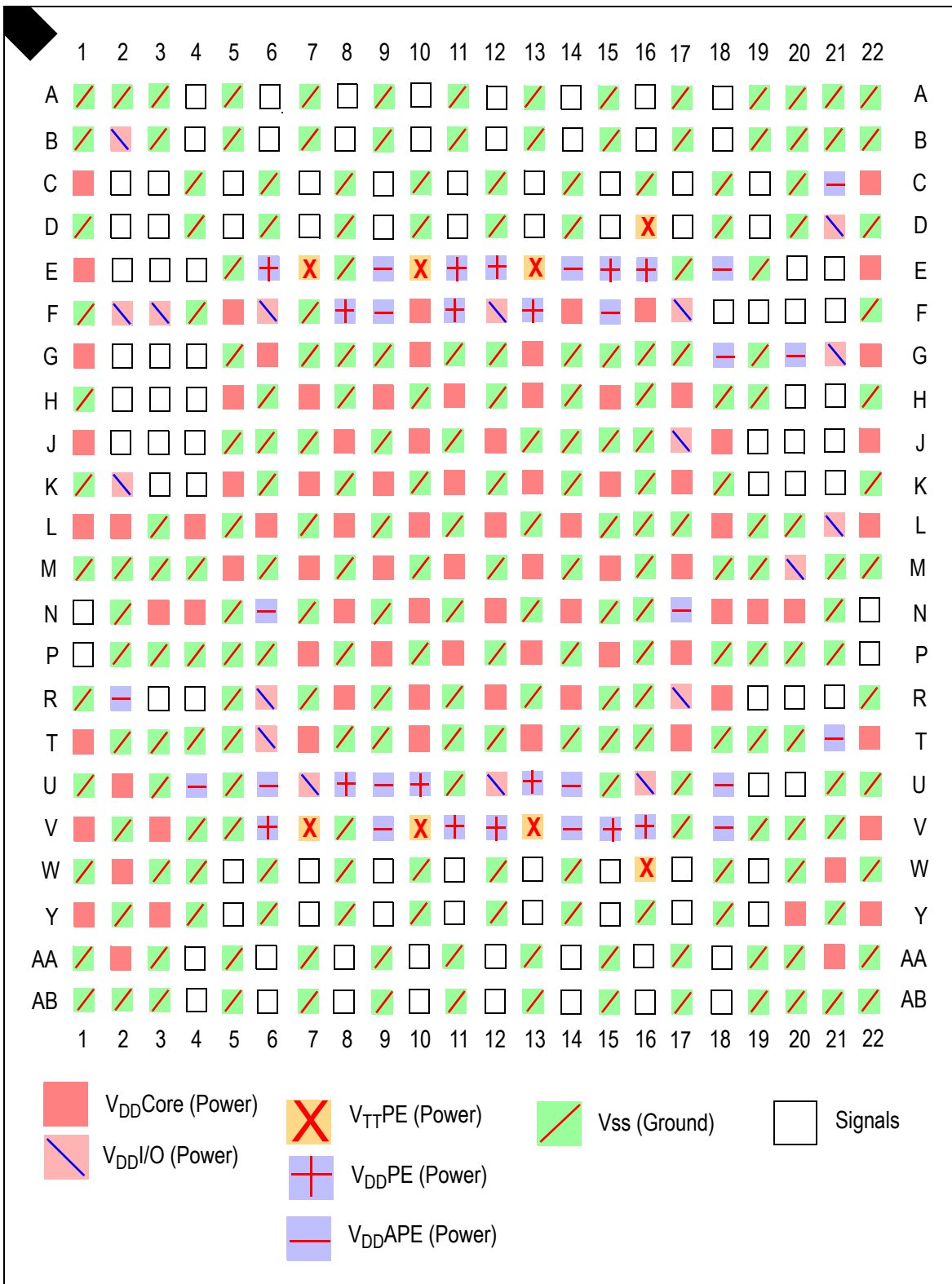
| Signal Name | I/O Type | Location | Signal Category     |
|-------------|----------|----------|---------------------|
| PE6TN03     | O        | AA10     | PCI Express (Cont.) |
| PE6TP00     | O        | AA4      |                     |
| PE6TP01     | O        | AB6      |                     |
| PE6TP02     | O        | AA8      |                     |
| PE6TP03     | O        | AB10     |                     |
| PE7RN00     | I        | Y13      |                     |
| PE7RN01     | I        | W15      |                     |
| PE7RN02     | I        | Y17      |                     |
| PE7RN03     | I        | W19      |                     |
| PE7RP00     | I        | W13      |                     |
| PE7RP01     | I        | Y15      |                     |
| PE7RP02     | I        | W17      |                     |
| PE7RP03     | I        | Y19      |                     |
| PE7TN00     | O        | AB12     |                     |
| PE7TN01     | O        | AB14     |                     |
| PE7TN02     | O        | AB16     |                     |
| PE7TN03     | O        | AB18     |                     |
| PE7TP00     | O        | AA12     |                     |
| PE7TP01     | O        | AA14     |                     |
| PE7TP02     | O        | AA16     |                     |
| PE7TP03     | O        | AA18     |                     |
| PEREFCLKN1  | I        | P1       |                     |
| PEREFCLKN2  | I        | N22      |                     |
| PEREFCLKP1  | I        | N1       |                     |
| PEREFCLKP2  | I        | P22      |                     |
| PERSTN      | I        | F20      | System              |
| REFCLKM     | I        | U19      | PCI Express         |
| RSTHALT     | I        | F19      | System              |
| SSMBADDR_1  | I        | E2       | SMBus               |
| SSMBADDR_2  | I        | D2       |                     |
| SSMBADDR_3  | I        | C2       |                     |
| SSMBADDR_5  | I        | E3       |                     |
| SSMBCLK     | I/O      | D3       | SMBus               |
| SSMBDAT     | I/O      | C3       |                     |

Table 23 89PES16T4 Alphabetical Signal List (Part 3 of 4)

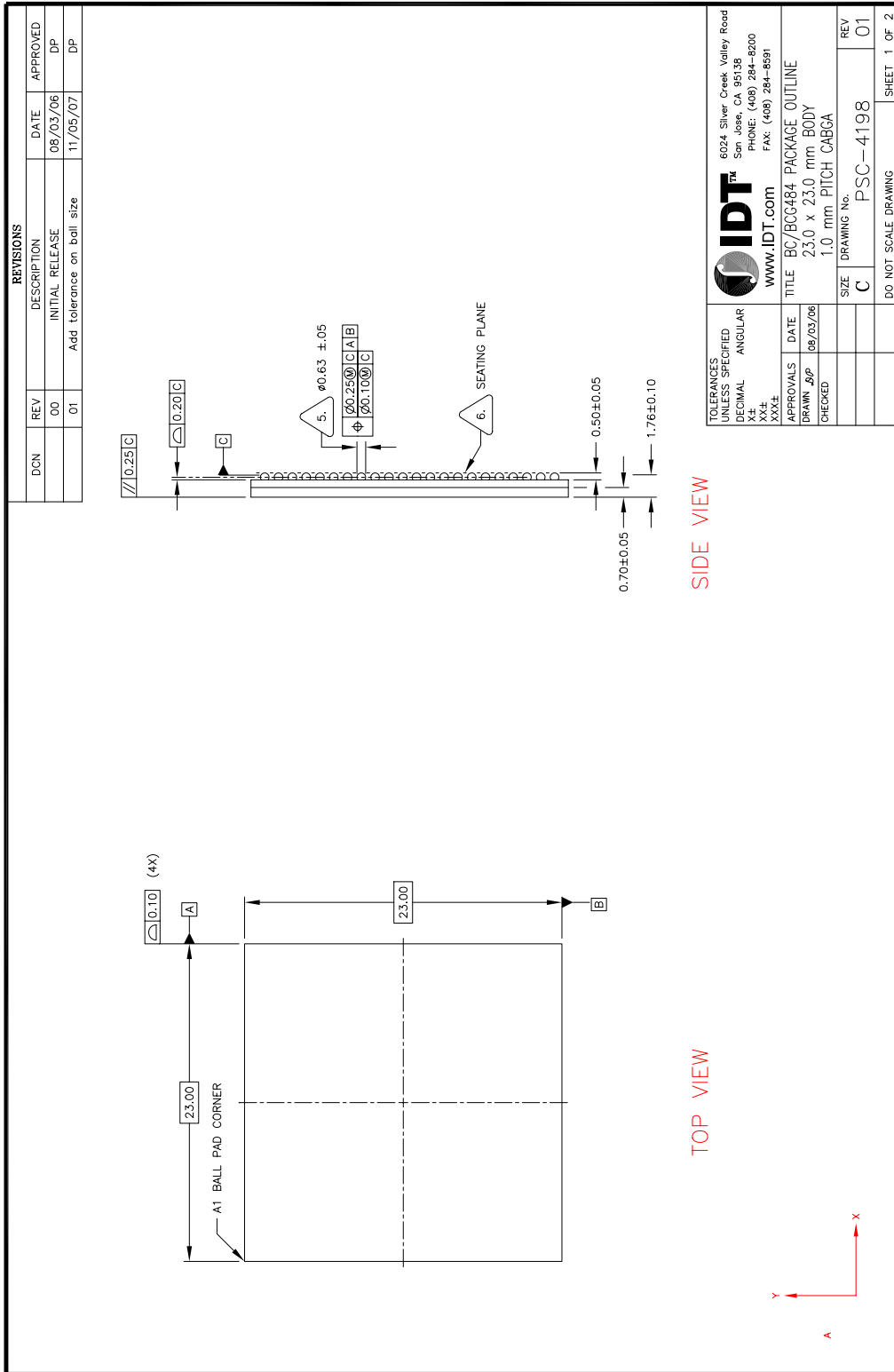
| Signal Name   | I/O Type                                   | Location | Signal Category |
|---|--|----------|-----------------|
| SWMODE_0  | I  | E20      | System          |
| SWMODE_1  | I  | E21      |                 |
| SWMODE_2  | I  | F21      |                 |
| V <sub>DD</sub> CORE,<br>V <sub>DD</sub> APE, V <sub>DD</sub> IO,<br>V <sub>DD</sub> PE, V <sub>TT</sub> PE | See Table 21 for a listing of power pins.  |          |                 |
| V <sub>SS</sub>   | See Table 22 for a listing of ground pins. |          |                 |

Table 23 89PES16T4 Alphabetical Signal List (Part 4 of 4)

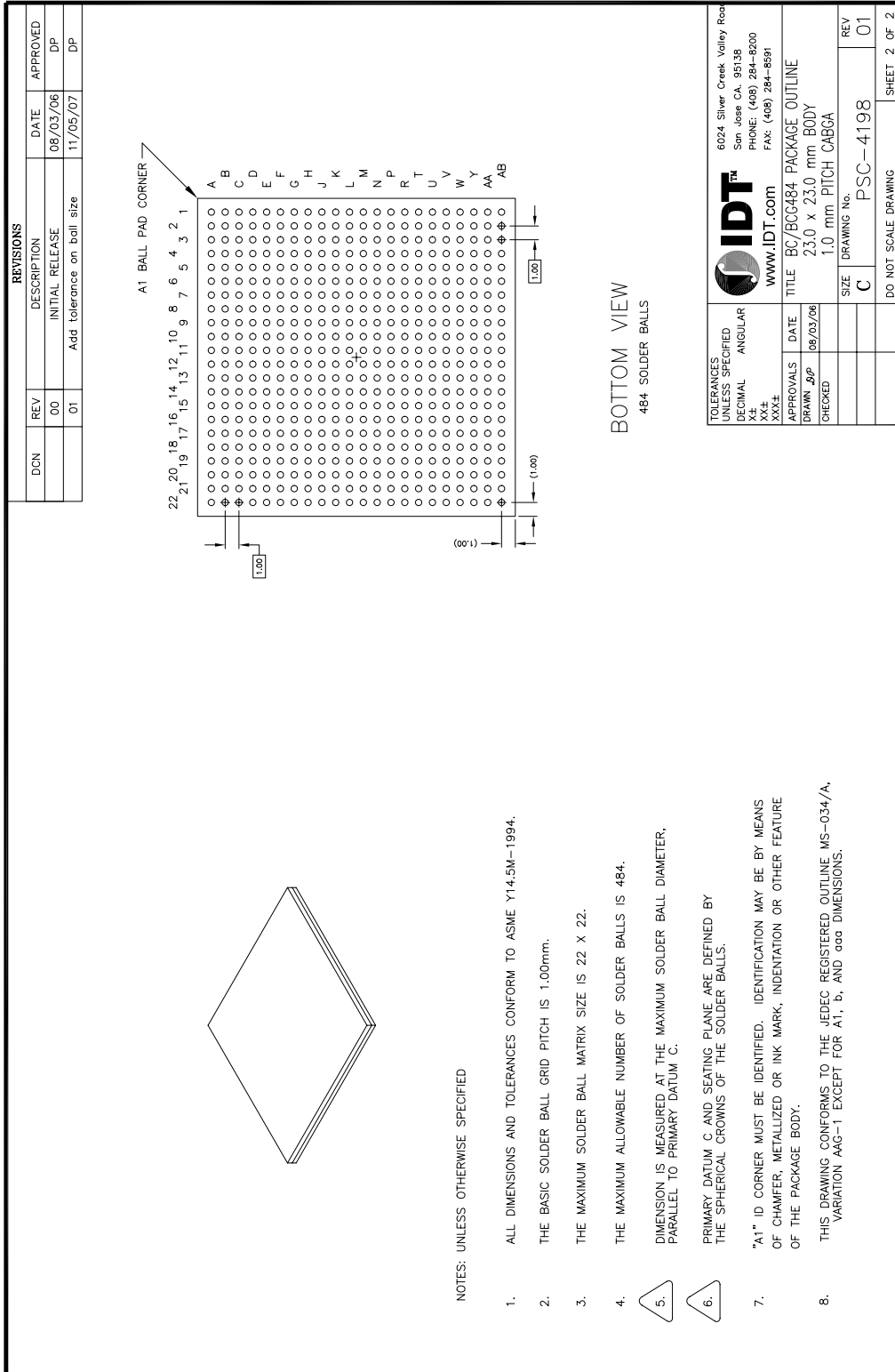
# PES16T4 Pinout — Top View



# PES16T4 Package Drawing — 484-Pin BC484/BCG484



PES16T4 Package Drawing — Page Two



## Revision History

**February 8, 2007:** Initial publication.

**April 4, 2007:** In Table 3, revised description for MSMBCLK signal.

**May 30, 2007:** Changed device revision in Ordering Information from ZD to ZH.

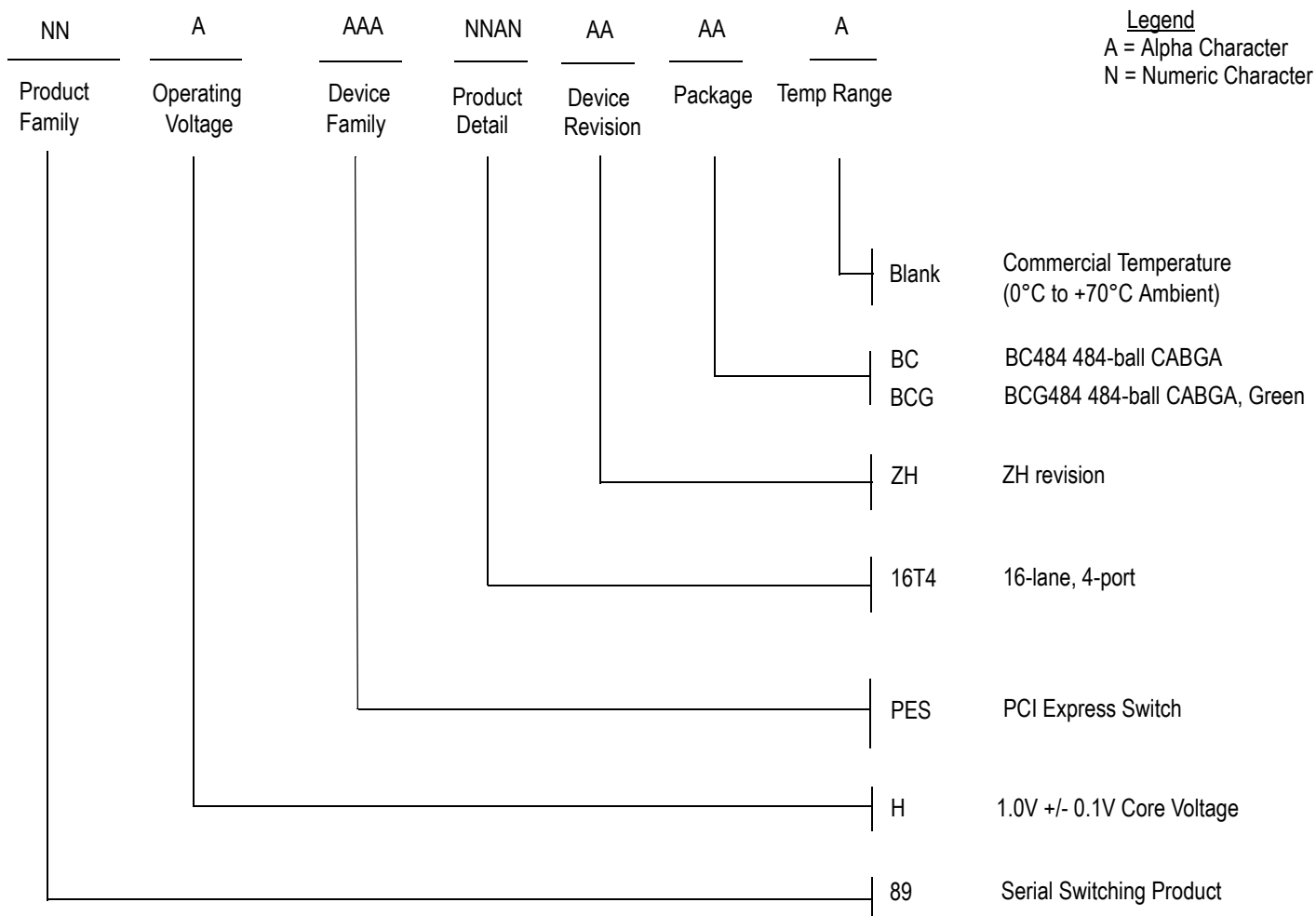
**November 1, 2007:** Changed package drawing to reflect correct ball/package dimensions.

**November 6, 2007:** Updated package drawing with solder ball tolerance added.

**November 8, 2007:** Added new parameter, Termination Resistor, to Table 9, Input Clock Requirements.

**March 25, 2008:** Added  $\theta_{JB}$  and  $\theta_{JC}$  parameters to Table 16, Thermal Specifications.

## Ordering Information



Legend

A = Alpha Character  
N = Numeric Character

### Valid Combinations

- 89HPES16T4ZHBC 484-ball CABGA package, Commercial Temperature
- 89HPES16T4ZHBCG 484-ball Green CABGA package, Commercial Temperature

## IMPORTANT NOTICE AND DISCLAIMER

RENESAS ELECTRONICS CORPORATION AND ITS SUBSIDIARIES (“RENESAS”) PROVIDES TECHNICAL SPECIFICATIONS AND RELIABILITY DATA (INCLUDING DATASHEETS), DESIGN RESOURCES (INCLUDING REFERENCE DESIGNS), APPLICATION OR OTHER DESIGN ADVICE, WEB TOOLS, SAFETY INFORMATION, AND OTHER RESOURCES “AS IS” AND WITH ALL FAULTS, AND DISCLAIMS ALL WARRANTIES, EXPRESS OR IMPLIED, INCLUDING, WITHOUT LIMITATION, ANY IMPLIED WARRANTIES OF MERCHANTABILITY, FITNESS FOR A PARTICULAR PURPOSE, OR NON-INFRINGEMENT OF THIRD PARTY INTELLECTUAL PROPERTY RIGHTS.

These resources are intended for developers skilled in the art designing with Renesas products. You are solely responsible for (1) selecting the appropriate products for your application, (2) designing, validating, and testing your application, and (3) ensuring your application meets applicable standards, and any other safety, security, or other requirements. These resources are subject to change without notice. Renesas grants you permission to use these resources only for development of an application that uses Renesas products. Other reproduction or use of these resources is strictly prohibited. No license is granted to any other Renesas intellectual property or to any third party intellectual property. Renesas disclaims responsibility for, and you will fully indemnify Renesas and its representatives against, any claims, damages, costs, losses, or liabilities arising out of your use of these resources. Renesas' products are provided only subject to Renesas' Terms and Conditions of Sale or other applicable terms agreed to in writing. No use of any Renesas resources expands or otherwise alters any applicable warranties or warranty disclaimers for these products.

(Rev.1.0 Mar 2020)

### Corporate Headquarters

TOYOSU FORESIA, 3-2-24 Toyosu,  
Koto-ku, Tokyo 135-0061, Japan  
[www.renesas.com](http://www.renesas.com)

### Contact Information

For further information on a product, technology, the most up-to-date version of a document, or your nearest sales office, please visit:  
[www.renesas.com/contact/](http://www.renesas.com/contact/)

### Trademarks

Renesas and the Renesas logo are trademarks of Renesas Electronics Corporation. All trademarks and registered trademarks are the property of their respective owners.