

## **430BOOST-ADS1118 Booster Pack**

---



---



---

This user's guide describes the characteristics, operation, and use of the 430BOOST-ADS1118 Booster Pack, a quick and low-cost solution to evaluate and develop the ADS1118 for temperature measurement applications using type K thermocouples. This document also includes the schematic, printed circuit board (PCB) layout, and a bill of materials (BOM).

### **Contents**

|   |  |    |
|---|--|----|
| 1 | 430BOOST-ADS1118 Booster Pack Overview .....       | 2  |
| 2 | ADS1118 Information .....                          | 3  |
| 3 | Getting Started .....                              | 4  |
| 4 | Obtaining Software Packages .....                  | 6  |
| 5 | User Experience Application .....                  | 7  |
| 6 | Rebuild Software Project .....                     | 9  |
| 7 | Schematic, PCB Layout, and Bill of Materials ..... | 12 |
| 8 | References .....                                   | 15 |

### **List of Figures**

|    |  |    |
|----|--|----|
| 1  | 430BOOST-ADS1118 BoosterPack Overview .....              | 2  |
| 2  | J3 Jumper.....   | 4  |
| 3  | J5 Jumper.....   | 4  |
| 4  | Booster Pack on Top of the LaunchPad .....               | 5  |
| 5  | Connect Thermocouple .....                               | 5  |
| 6  | Connect USB .....  | 5  |
| 7  | Display Real-Time Temperature .....                      | 6  |
| 8  | Flashing Hundreds Bit of the Threshold Temperature ..... | 7  |
| 9  | Set Timer .....  | 8  |
| 10 | CH1 Input on Board .....                                 | 8  |
| 11 | Flow Chart of the Main Function .....                    | 10 |
| 12 | Overview of Grace .....                                  | 11 |
| 13 | Schematic .....  | 12 |
| 14 | Top-Layer Silkscreen .....                               | 13 |
| 15 | PCB Top Layer .....                                      | 13 |
| 16 | PCB Bottom Layer .....                                   | 14 |

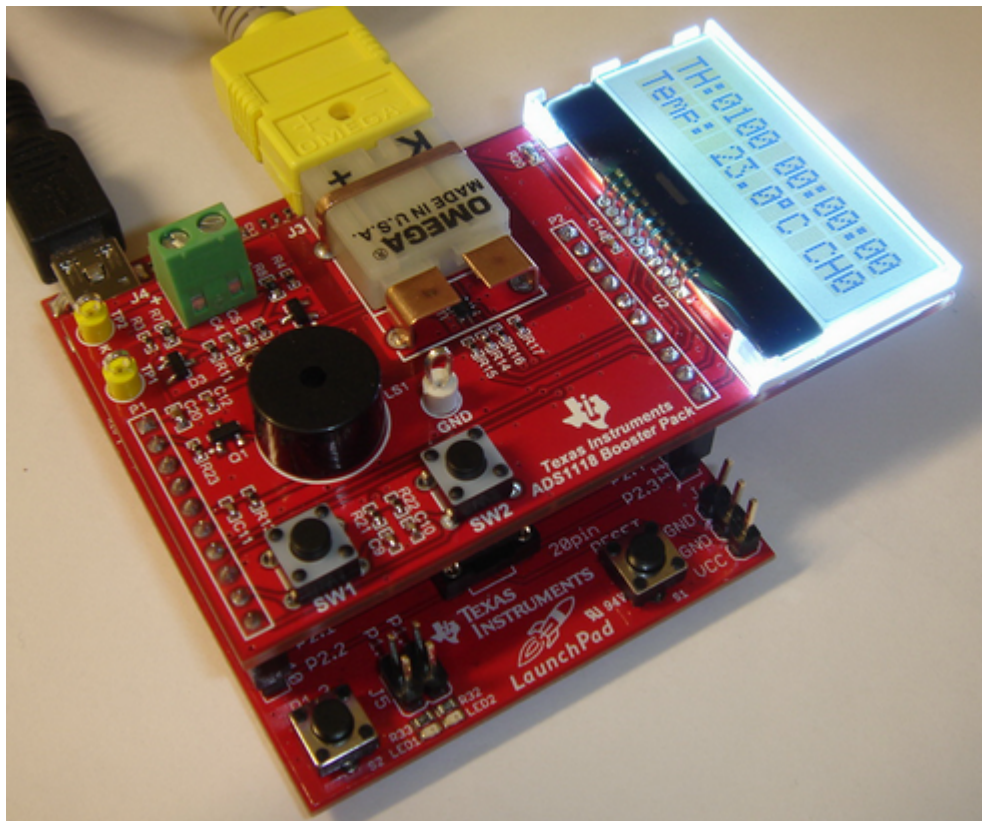
### **List of Tables**

|   |                         |    |
|---|-------------------------|----|
| 1 | Bill of Materials ..... | 15 |
|---|-------------------------|----|

## 1 430BOOST-ADS1118 Booster Pack Overview

### 1.1 Description

The 430BOOST-ADS1118 Booster Pack provides a quick and low-cost solution to evaluate and develop the ADS1118 for temperature measurement applications using type K thermocouples. To quickly get started, this booster pack comes with preloaded firmware for the MSP430G2553 device. The software also provides a fully commented source code for users to get started developing applications. [Figure 1](#) shows an overview of the booster pack hardware.



**Figure 1. 430BOOST-ADS1118 BoosterPack Overview**

### 1.2 Features

- Actual temperature display in °C or °F
- Threshold temperature display
- Programmable threshold temperature
- Programmable countdown timer
- Optional input channel
- Optional UART communication

## 2 ADS1118 Information

The [ADS1118](#) is a precision analog-to-digital converter (ADC). This device features an onboard reference and oscillator, as well as 16 bits of resolution. The ADS1118 can perform up to 860 samples per second (SPS) and has an onboard programmable gain amplifier (PGA) that allows input ranges from  $\pm 256$  mV to  $\pm 6.144$  V. This device also contains an input multiplexer that allows each input to be used with reference to ground, or as two differential inputs. The ADS1118 datasheet ([SBAS457](#)) contains all relevant analog and digital electrical information pertaining to the device. This booster pack demonstrates how an MSP430 and ADS1118 can be integrated into one system.

### 2.1 Type K Thermocouple

A thermocouple consists of two conductors of different materials that produce a voltage in the vicinity of the point where the two conductors are in contact. The voltage produced depends on, but is not necessarily proportional to, the difference of temperature of the junction to other parts of those conductors. Thermocouples require a stable voltage reference and some form of ice point or cold junction compensation. The integration of an internal voltage reference, multiplexer, and temperature sensor make the ADS1118 an ideal option for thermocouple measurements. Type K is the most common general-purpose thermocouple with a sensitivity of approximately  $41 \mu\text{V}/^\circ\text{C}$ . A type K thermocouple is inexpensive, and a wide variety of probes are available in the  $-200^\circ\text{C}$  to  $+1250^\circ\text{C}$  ( $-330^\circ\text{F}$  to  $+2460^\circ\text{F}$ ) range. For more information about thermocouple measurement with the ADS1118, see Application Report [SBAA189](#), *Precision Thermocouple Measurement with the ADS1118*.

## 3 Getting Started

### 3.1 Requirements

The ADS1118 Booster Pack requires LaunchPad rev1.4 or higher; see [www.ti.com/launchpadwiki](http://www.ti.com/launchpadwiki) for more information. The ADS1118 Booster Pack also requires a MSP430G2553 device (included). This device is preprogrammed with the user experience firmware (see [Section 6](#)).

The 430BOOST-ADS1118 is intended for use in laboratory environments with ambient temperature of 19°C to 29°C.

### 3.2 Configuring LaunchPad

1. For LaunchPad rev1.4 or earlier, cross jump the UART lines; see [SLAU318](#), *MSP-EXP430G2 LaunchPad Experimenter Board User's Guide*, for more information.
2. For LaunchPad rev1.5, switch to hardware UART through J3 jumpers, as shown in [Figure 2](#).

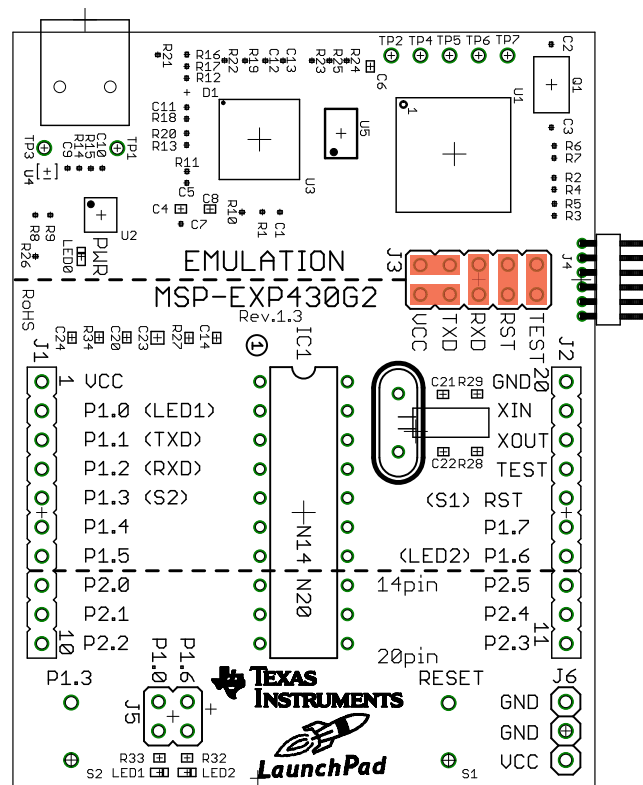


Figure 2. J3 Jumper

3. Remove P1.6 and P1.0, as shown in [Figure 3](#).

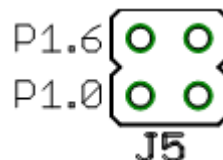


Figure 3. J5 Jumper

4. Replace the existing LaunchPad device with the MSP430G2553 device inside the ADS1118 Booster Pack. This device has been preloaded with the user experience firmware.

5. Insert the ADS1118 Booster Pack on top of the LaunchPad as shown in [Figure 4](#).

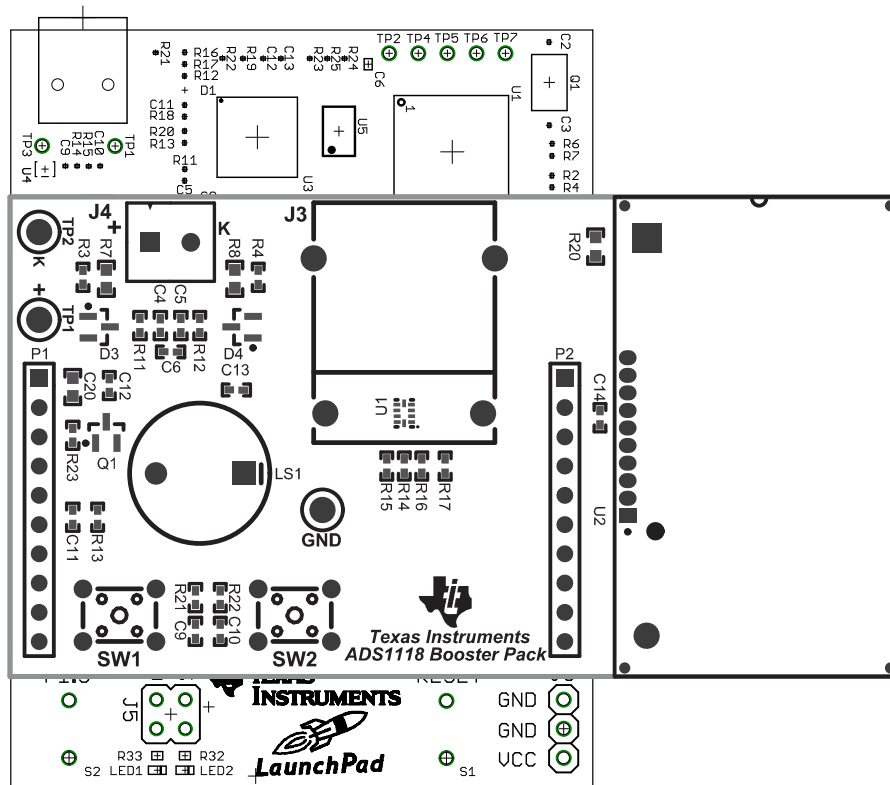


Figure 4. Booster Pack on Top of the LaunchPad

6. Connect a type K thermocouple probe to J3 on the ADS1118 BoosterPack, as shown in [Figure 5](#)

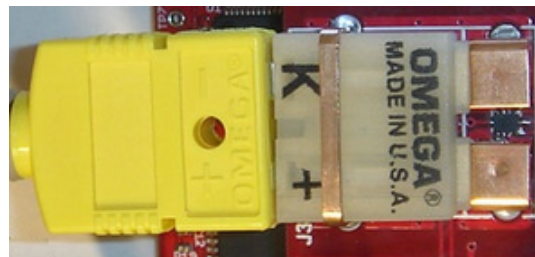


Figure 5. Connect Thermocouple

7. Connect hardware as shown in [Figure 6](#).

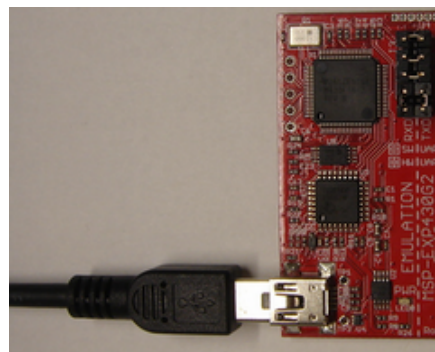


Figure 6. Connect USB

## 4 Obtaining Software Packages

Download the latest software packages from [www.ti.com/ADS1118boosterpack](http://www.ti.com/ADS1118boosterpack).

Download the two software packages. One package contains the source code and the other package contains the binaries for the MSP430G2553 firmware.

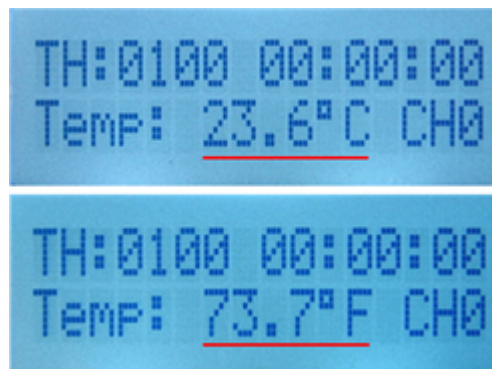
### 4.1 Redownloading or Modifying Firmware

This step is optional. To get started, if you have used the preloaded MSP430G2553 device inside the ADS1118 BoosterPack, this step can be used to reload the firmware with a newer version or to a blank device. The quickest way to redownload the firmware image is to run *MSP430Flasher.bat* inside the firmware directory.

To modify the firmware, see [Section 6](#) regarding supported compilers.

### 4.2 Starting the Demo Application

1. Read real-time temperature on LCD. Press S2 on LaunchPad for switching temperature display at °C or °F as shown in [Figure 7](#).



**Figure 7. Display Real-Time Temperature**

2. Set threshold temperature (see [Section 5.1](#)).
3. Set timer (see [Section 5.2](#)).
4. Change input channel (see [Section 5.3](#)).

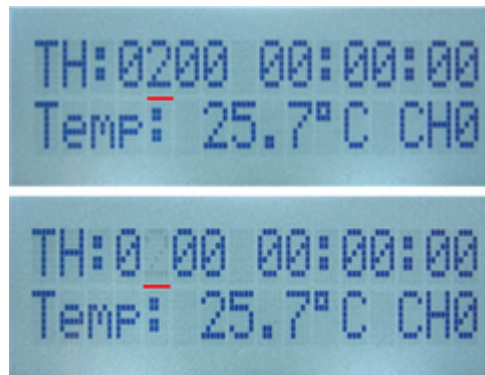
## 5 User Experience Application

Use buttons SW1, SW1, and S2 to set threshold temperature and timer. The input channel can be changed by buttons S2 and SW2.

### 5.1 Set Threshold Temperature

The threshold temperature is set by SW1 and S2. If a threshold temperature is set, then when the real-time temperature is greater than the threshold temperature, the buzzer sounds an audio alarm.

A threshold setting state machine is used to set the threshold temperature. In the threshold temperature setting mode, the set bit flashes, as shown in [Figure 8](#). Press the SW1 button and the ADS1118 Booster Pack enters the threshold temperature setting mode. Press S2 to change the set value of the set bit. Detailed steps are listed following [Figure 8](#).



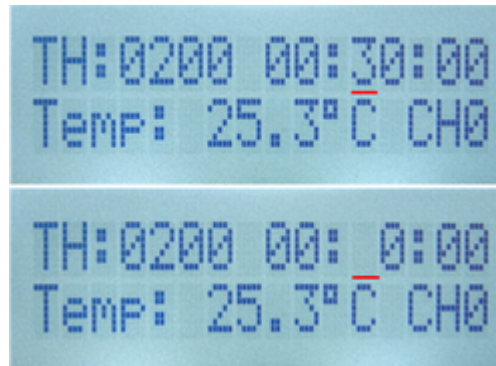
**Figure 8. Flashing Hundreds Bit of the Threshold Temperature**

1. Press the SW1 Button to let the ADS1118 Booster Pack enter the threshold temperature setting mode. The hundreds bit of the threshold temperature flashes.
2. Press S2 to change the setting of the flashing hundreds digit of the threshold temperature. Continue to press S2 until the required value is entered.
3. After the hundreds bit of the threshold temperature has been configured, press SW1 to set the tens digit of the threshold temperature. Press S2 to change the value of flashing bit until the required value is entered.
4. After the tens digit of the threshold temperature has been configured, press SW1 to set the ones bit of the threshold temperature. Press S2 to change the value of flashing bit until the required value is entered.
5. Finally, press SW1 to end the threshold temperature configuration and save the set value as the threshold temperature.

## 5.2 Set Timer

A timer-setting state machine is used to set the countdown time. When the timer counts down, at the last three seconds, the buzzer gives a continuous buzz as an alarm. Set the timer by pressing SW2 to change the setting digit and pressing S2 to change the value of that digit. The following list shows the detailed steps.

1. When SW2 is pressed at the first time, the ADS1118 Booster Pack enters time setup mode. The tens bit of the minutes flashes, as shown in [Figure 9](#).



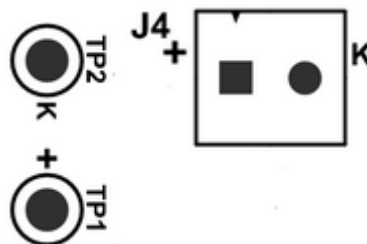
**Figure 9. Set Timer**

2. Press S2 to change the value of the flashing bit. Continue to press S2 until the required bit value is entered.
3. After the tens bit of the minutes has been configured, press SW1 to set the ones bit of the timer. Press S2 to change the value of flashing bit until the required value is entered.
4. After the ones bit of the minutes has been configured, press SW1 to set the seconds bit of the timer. Press S2 to change the value of flashing bit until the required value is entered.
5. Finally, press SW2 to end the timer setup and save the set value to the timer. The timer counts down the time until the time is 00:00:00.

## 5.3 Change Input Channel

The ADS1118 Booster Pack has two differential input channels. Analog input AIN0/AIN1 is configured for channel zero (CH0). Analog input AIN2/AIN3 is configured for channel one (CH1). Both channels have the same RC filter circuit. CH0 uses a type K thermocouple connector. CH1 uses a generic two-terminal block, J4, as shown in [Figure 10](#). Change the channel by pressing two buttons, S2 on the LaunchPad and SW2 on the ADS1118 Booster Pack. The following list shows the detailed steps.

1. Press and hold the S2 button.
2. Press SW2 on the ADS1118 Booster Pack.
3. Release both buttons. The ADS1118 input channel is now changed.



**Figure 10. CH1 Input on Board**



## 6 Rebuild Software Project

This software package includes project files that allow customers to recompile the code for user development. These project files are located inside the *430BOOST-ADS1118-SFT-A.zip* source folder. The source code was developed and compiled using Code Composer Studio™ (CCStudio), version 5.3. CCStudio is an integrated development environment (IDE) for Texas Instruments embedded processor families. CCStudio information is available online at <http://www.ti.com/tool/ccstudio>. The software package is available for download at [http://processors.wiki.ti.com/index.php/Download\\_CCS](http://processors.wiki.ti.com/index.php/Download_CCS).

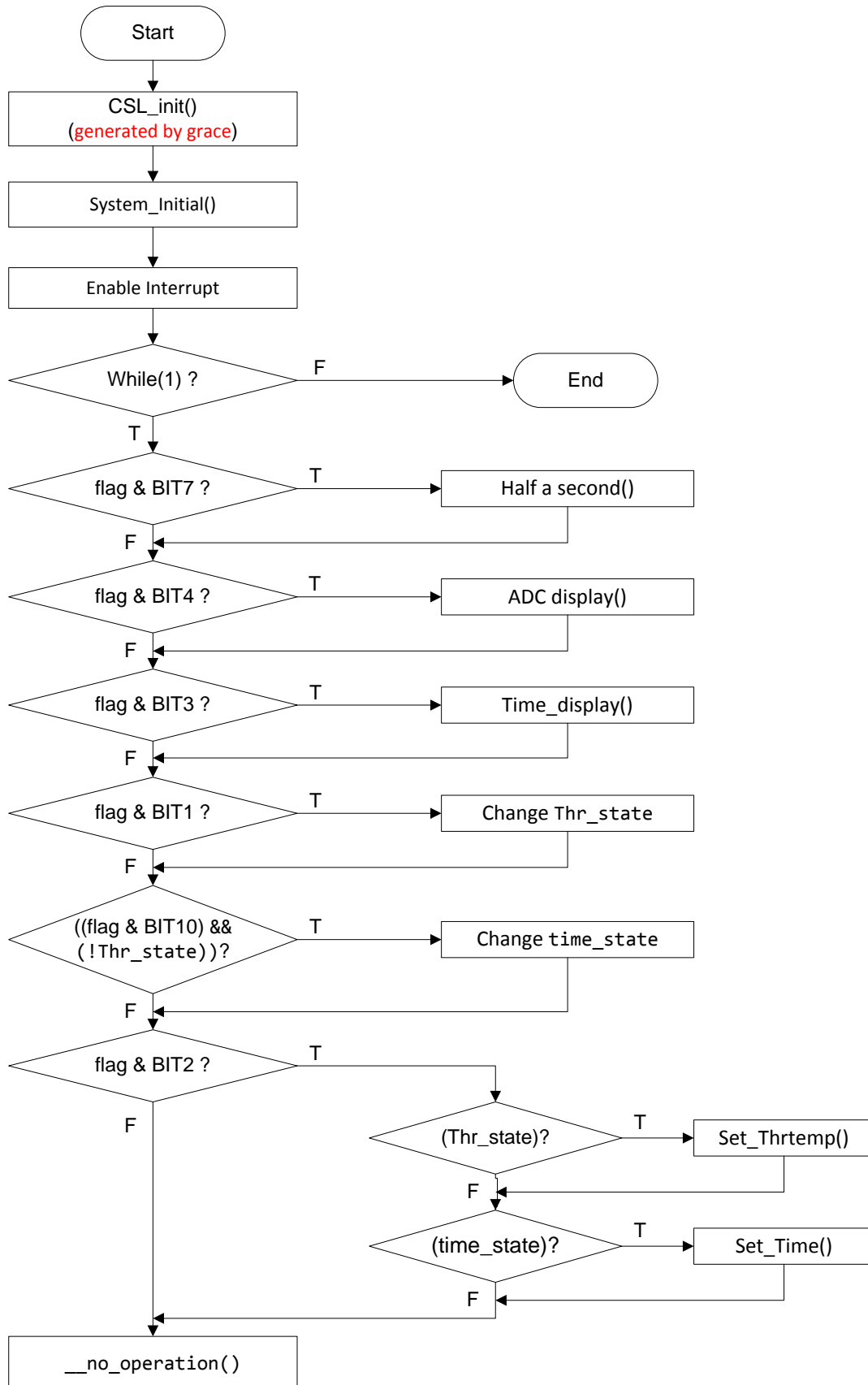
The default sample rate of the ADS1118 is 128 SPS. However, if the sample rate must be changed, then the ADC\_CON definition inside the ADS1118.h file must be changed, then recompiled, and then the firmware redownload. The following code shows two examples of the CH0 and CH1 configurations:

```
//Set the configuration to AIN0/AIN1, FS=+/-0.256mV, SS, DR=128sps, PULLUP on DOUT
#define ADSCON_CH0      (0x8B8A)

//Set the configuration to AIN2/AIN3, FS=+/-0.256mV, SS, DR=128sps, PULLUP on DOUT
#define ADSCON_CH1      (0xBB8A)
```

### 6.1 Main Function Flow Chart

[Figure 11](#) shows the main function flow chart.


**Figure 11. Flow Chart of the Main Function**

### 6.2 Grace

The CSL\_Init() is generated by the Grace™ graphical configuration tool. For more information about Grace refer to <http://www.ti.com/tool/grace>. Figure 12 shows the MSP430G2553 device overview. Configure the peripheral of MSP430G2553 by using the Grace tool.

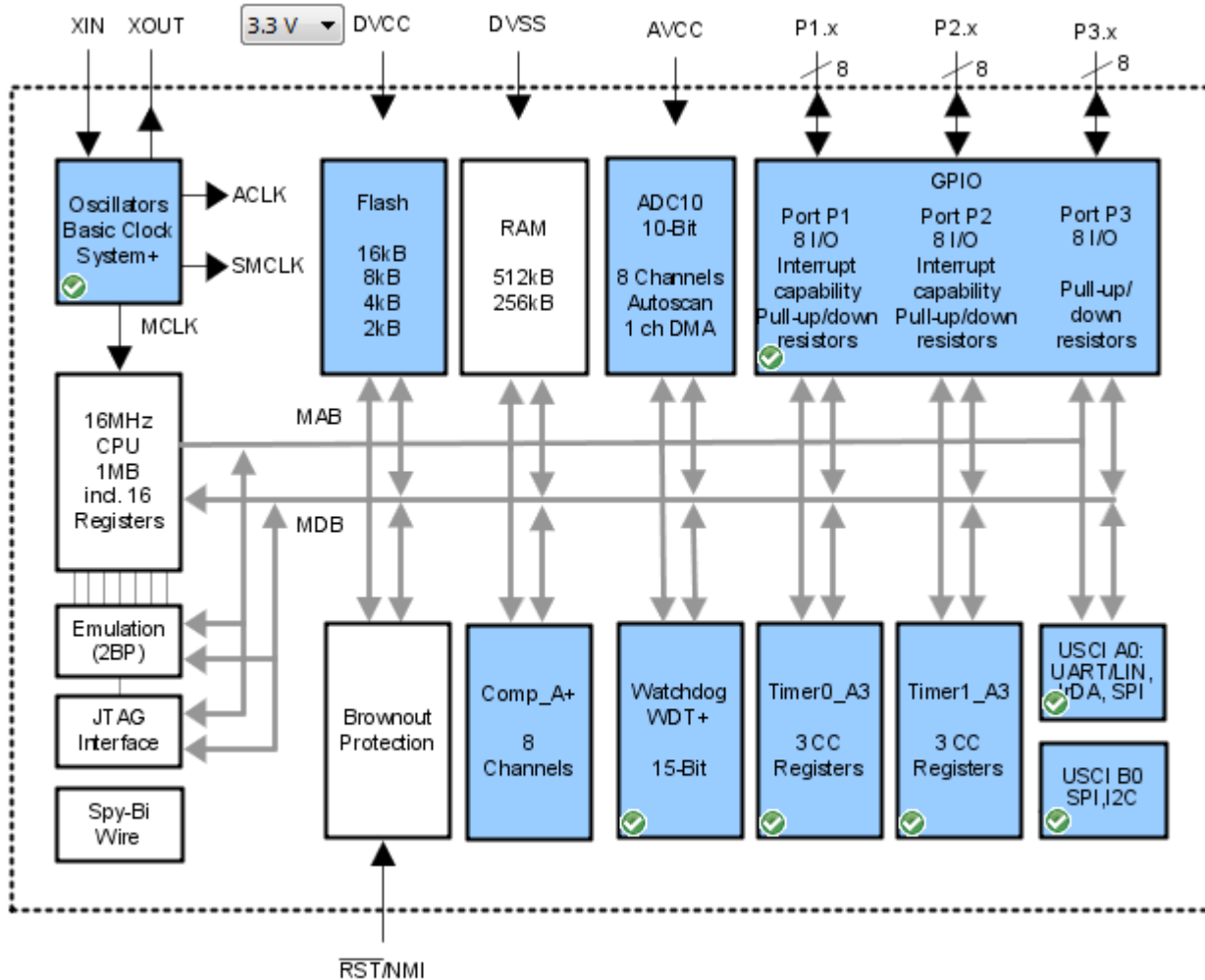


Figure 12. Overview of Grace

### 6.3 UART Communication

UART communication functions are defined in the software project but are not called in the demo project. Use the UART to transmit data from the Launchpad to the PC. There are two files (UART\_TxRx.h and UART\_TxRx.c) that are relative to UART communication. Two functions can be used to transmit character and string data from the Launchpad to the PC. These two functions are defined in UART\_TxRx.h.

```
void uart_tx(char c); // transmit a character by Launchpad UART
void uart_txstr(char *c); // transmit a string by Launchpad UART
```

These functions can be added in the project, and then rebuilt.

## 7 Schematic, PCB Layout, and Bill of Materials

This section contains the block diagram, schematic diagram, PCB layout, and complete bill of materials for the 430BOOST-ADS1118 Booster Pack.

### 7.1 Schematic

Figure 13 shows the schematic of 430BOOST-ADS1118 Booster Pack.

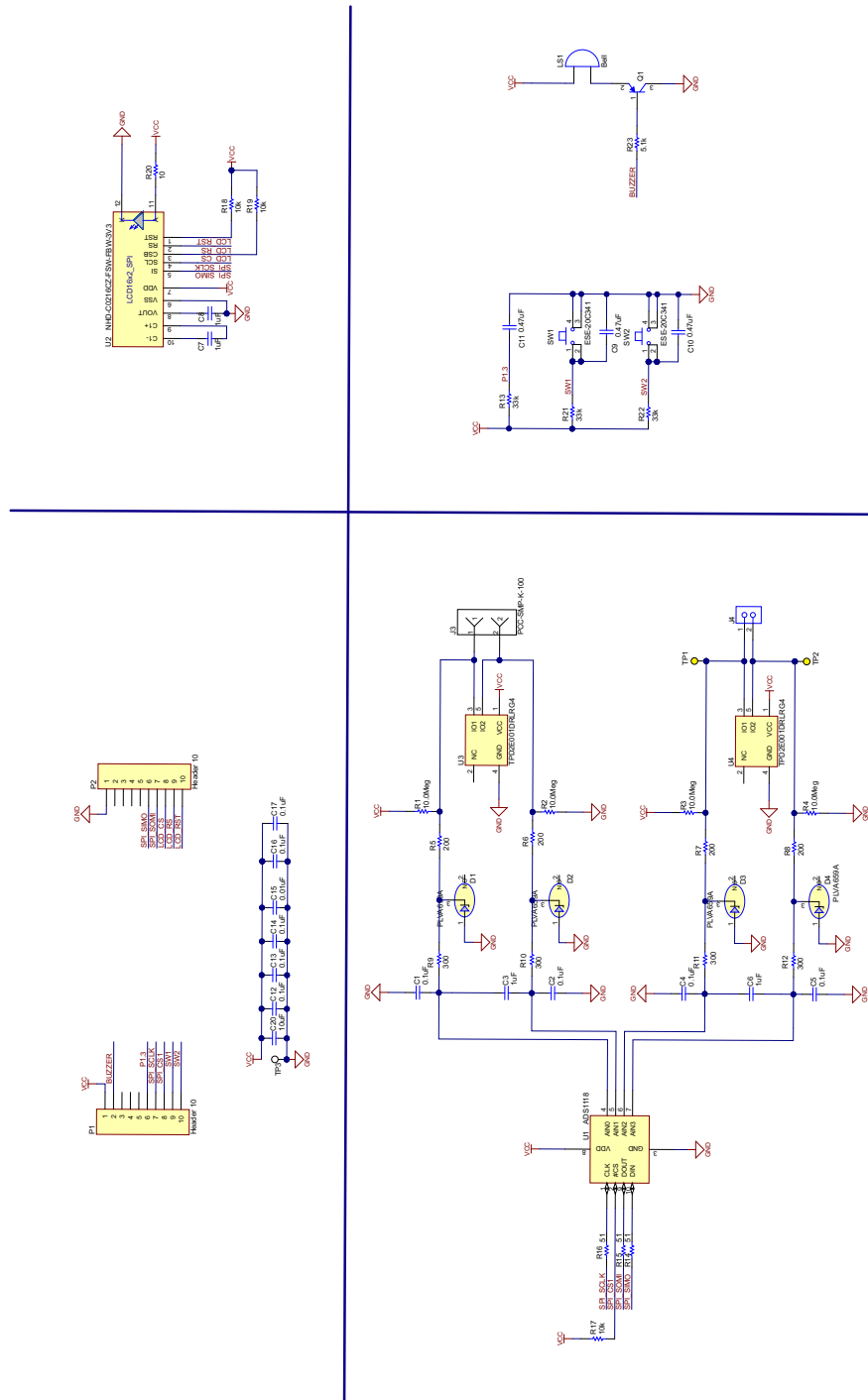


Figure 13. Schematic

## 7.2 PCB Layout

Figure 14 shows the 430BOOST-ADS1118 Booster Pack top-layer silkscreen.

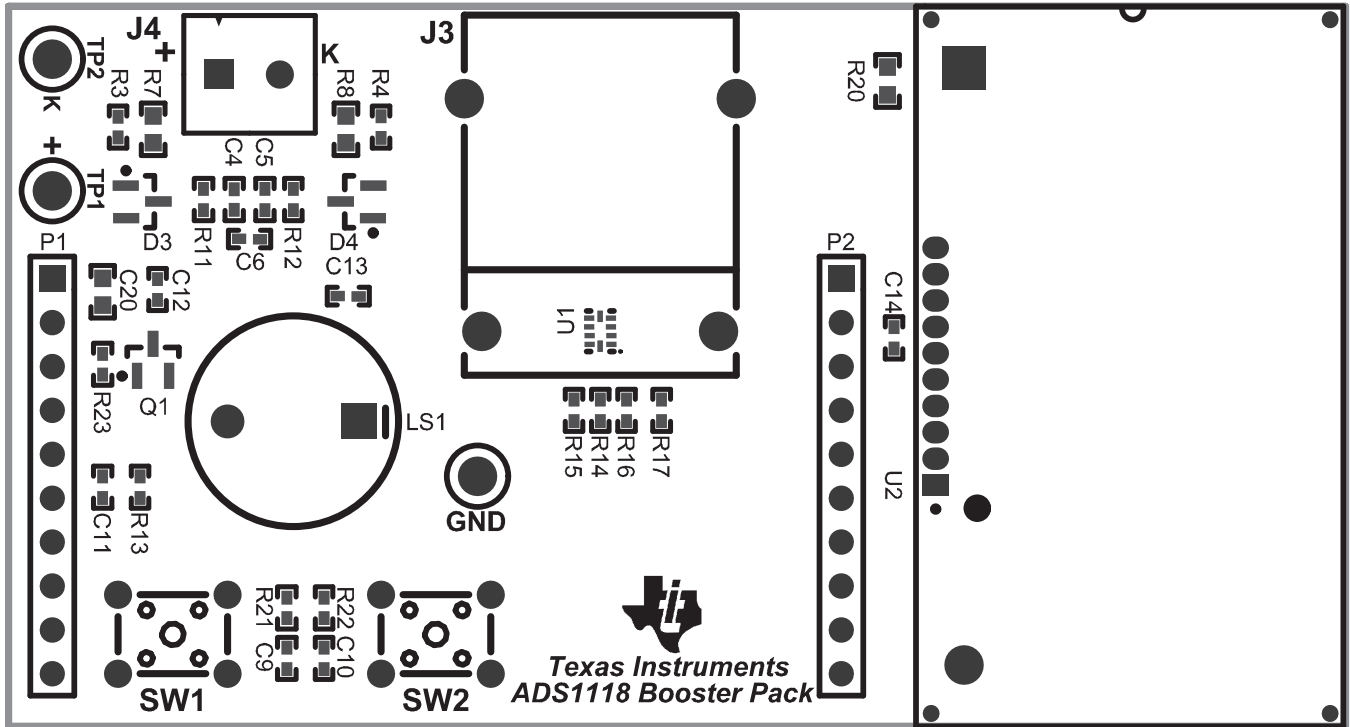


Figure 14. Top-Layer Silkscreen

Figure 15 and Figure 16 show the PCB layout of 430BOOST-ADS1118 Booster Pack.

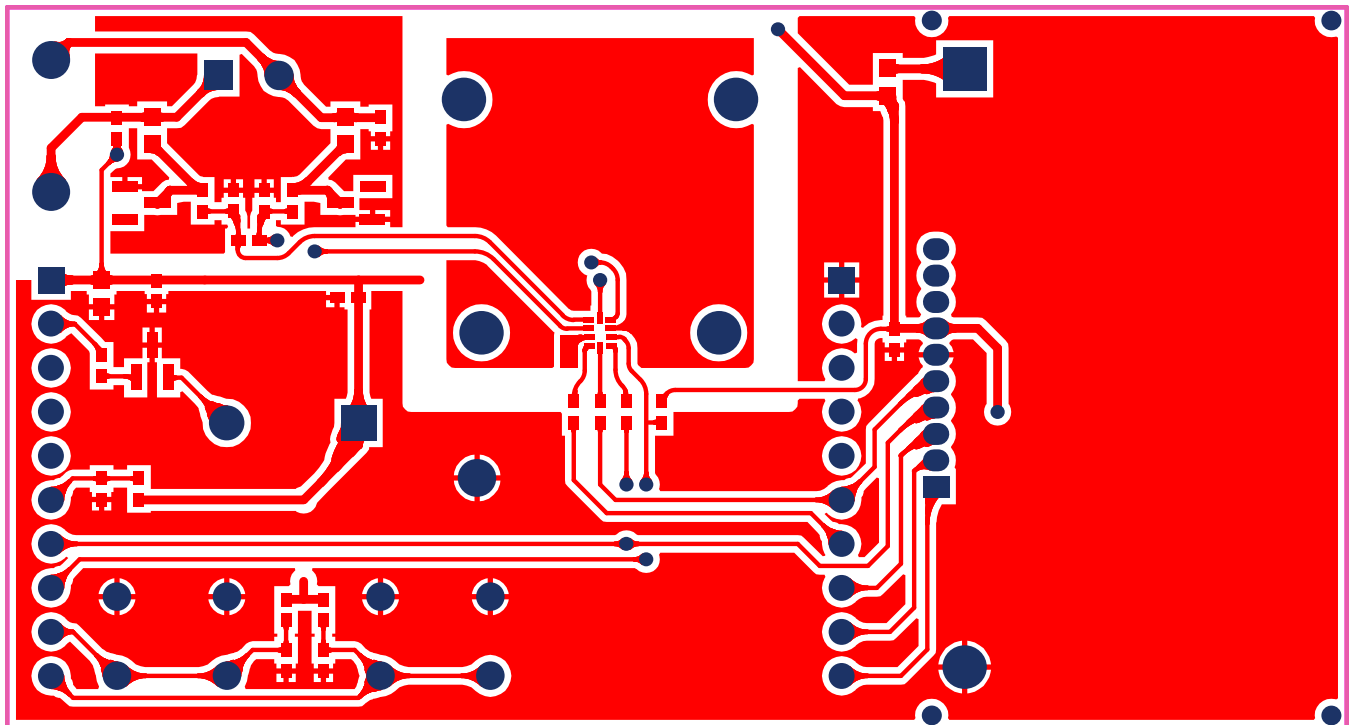


Figure 15. PCB Top Layer

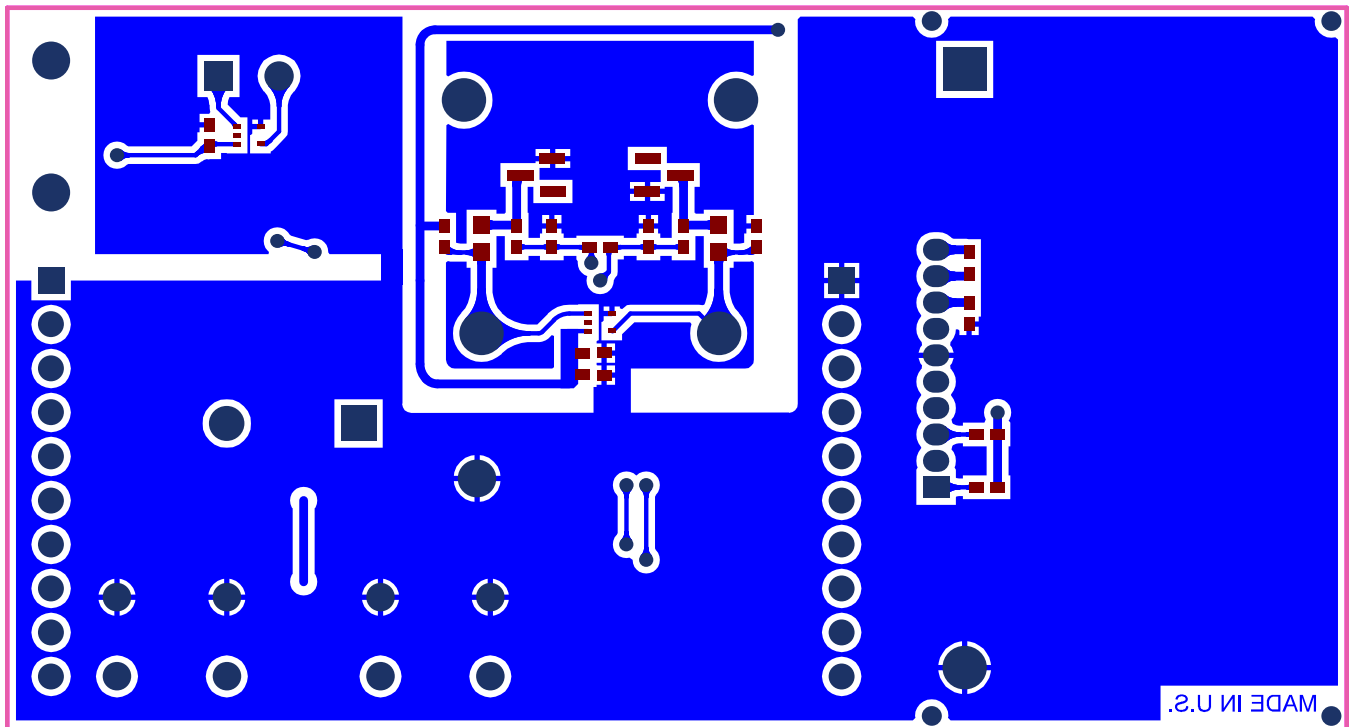


Figure 16. PCB Bottom Layer

### 7.3 Bill of Materials

Table 1 lists the bill of materials.

**Table 1. Bill of Materials**

| Item No. | Ref Des                                 | Description                                | Vendor/Mfr             | Part Number             |
|----------|---|--|------------------------|-------------------------|
| 1        | U1                                      | ADS1118, RUG Package                       | Texas Instruments      | ADS1118                 |
| 2        | U2                                      | LCD1602, Serial Interface                  | Newhaven Display       | NHD-C0216CZ-FSW-FBW-3V3 |
| 3        | U3,U4                                   | +/- 15 kV ESD-Protection Array 2 Channels  | Texas Instruments      | TPD2E001DRLRG4          |
| 4        | Q1                                      | Transistor, PNP, 65V, 0.1A, SOT-23         | Diodes Inc             | BC856B-7-F              |
| 5        | D1,D2,D3,D4                             | DIODE ZENER 5.9V 250MW SOT23               | NXP Semiconductors     | PLVA659A,215            |
| 6        | LS1                                     | BUZZER 2.30KHZ 2-5VDC 82DB PCB             | Soberton Inc           | WST-1203UX              |
| 7        | T1                                      | type K thermocouple                        | Omega Engineering inc. | 5SRTC-TT-K-24-36        |
| 8        | C1, C2, C4, C5, C12, C13, C14, C16, C17 | CAP, CERM, 0.1uF, 6.3V, +/-10%, X5R, 0402  | TDK Corporation        | C1005X5R0J104K          |
| 9        | C3, C6, C7, C8                          | CAP, CERM, 1uF, 6.3V, +/-20%, X5R, 0402    | TDK Corporation        | C1005X5R0J105M          |
| 10       | C9, C10, C11                            | CAP, CERM, 0.47uF, 6.3V, +/-10%, X5R, 0402 | TDK Corporation        | C1005X5R0J474K          |
| 11       | C15                                     | CAP, CERM, 0.01uF, 16V, +/-10%, X7R, 0402  | TDK Corporation        | C1005X7R1C103K          |
| 12       | C20                                     | CAP, CERM, 10uF, 6.3V, +/-20%, X5R, 0603   | TDK Corporation        | C1608X5R0J106M080AB     |
| 13       | R1, R2, R3, R4                          | RES, 10Meg ohm, 1%, 0.063W, 0402           | Yageo                  | RC0402FR-0710ML         |
| 14       | R5, R6, R7, R8                          | RES, 200 ohm, 1%, 0.1W, 0603               | Yageo                  | RC0603FR-07200RL        |
| 15       | R9, R10, R11, R12                       | RES, 300 ohm, 1%, 0.063W, 0402             | Yageo                  | RC0402FR-07300RL        |
| 16       | R23                                     | RES, 5.1k ohm, 5%, 0.063W, 0402            | Yageo                  | RC0402JR-075K1L         |
| 17       | R13, R21, R22                           | RES, 33k ohm, 5%, 0.063W, 0402             | Yageo                  | RC0402JR-0733KL         |
| 18       | R20                                     | RES, 10 ohm, 5%, 0.1W, 0603                | Yageo                  | RC0603JR-0710RL         |
| 19       | R17, R18, R19                           | RES, 10k ohm, 5%, 0.063W, 0402             | Yageo                  | RC0402JR-0710KL         |
| 20       | R14, R15, R16                           | RES, 51 ohm, 5%, 0.063W, 0402              | Yageo                  | RC0402JR-0751RL         |
| 21       | S1, S2                                  | SWITCH TACTILE SPST-NO 0.05A 12V           | TE Connectivity        | FSM4JH                  |
| 22       | J4                                      | TERM BLOCK 2POS SIDE ENT 3.5MM             | TE Connectivity        | 1776275-2               |
| 23       | P1, P2                                  | Header, 10-Pin                             | Würth Electronics Inc  | 61301011821             |
| 24       | TP1, TP2                                | Test Point, TH, Compact, Yellow            | Keystone Electronics   | 5009                    |
| 25       | TP3                                     | Test Point, TH, Multipurpose, White        | Keystone Electronics   | 5012                    |
| 26       | J3                                      | omega type K connector                     | OMEGA                  | PCC-SMP-K               |

## 8 References

1. ADS1118 EVM User Guide and Software Tutorial ([SBAU184](#)).
2. Precision Thermocouple Measurement with the ADS1118 ([SBAA189](#)).

## 9 Trademarks

Code Composer Studio, Grace are trademarks of Texas Instruments. All other trademarks are the property of their respective owners.

## Revision History

NOTE: Page numbers for previous revisions may differ from page numbers in the current version.

| Changes from Original (September 2013) to A Revision   | Page |
|--|------|
| • Added text: "The 430BOOST-ADS1118 is intended for use in laboratory environments with ambient temperature of 19°C to 29°C." to <a href="#">Section 3.1</a> ..... | 4    |



## STANDARD TERMS FOR EVALUATION MODULES

1. *Delivery:* TI delivers TI evaluation boards, kits, or modules, including any accompanying demonstration software, components, and/or documentation which may be provided together or separately (collectively, an "EVM" or "EVMs") to the User ("User") in accordance with the terms set forth herein. User's acceptance of the EVM is expressly subject to the following terms.
  - 1.1 EVMs are intended solely for product or software developers for use in a research and development setting to facilitate feasibility evaluation, experimentation, or scientific analysis of TI semiconductor products. EVMs have no direct function and are not finished products. EVMs shall not be directly or indirectly assembled as a part or subassembly in any finished product. For clarification, any software or software tools provided with the EVM ("Software") shall not be subject to the terms and conditions set forth herein but rather shall be subject to the applicable terms that accompany such Software
  - 1.2 EVMs are not intended for consumer or household use. EVMs may not be sold, sublicensed, leased, rented, loaned, assigned, or otherwise distributed for commercial purposes by Users, in whole or in part, or used in any finished product or production system.
2. *Limited Warranty and Related Remedies/Disclaimers:*
  - 2.1 These terms do not apply to Software. The warranty, if any, for Software is covered in the applicable Software License Agreement.
  - 2.2 TI warrants that the TI EVM will conform to TI's published specifications for ninety (90) days after the date TI delivers such EVM to User. Notwithstanding the foregoing, TI shall not be liable for a nonconforming EVM if (a) the nonconformity was caused by neglect, misuse or mistreatment by an entity other than TI, including improper installation or testing, or for any EVMs that have been altered or modified in any way by an entity other than TI, (b) the nonconformity resulted from User's design, specifications or instructions for such EVMs or improper system design, or (c) User has not paid on time. Testing and other quality control techniques are used to the extent TI deems necessary. TI does not test all parameters of each EVM. User's claims against TI under this Section 2 are void if User fails to notify TI of any apparent defects in the EVMs within ten (10) business days after delivery, or of any hidden defects with ten (10) business days after the defect has been detected.
  - 2.3 TI's sole liability shall be at its option to repair or replace EVMs that fail to conform to the warranty set forth above, or credit User's account for such EVM. TI's liability under this warranty shall be limited to EVMs that are returned during the warranty period to the address designated by TI and that are determined by TI not to conform to such warranty. If TI elects to repair or replace such EVM, TI shall have a reasonable time to repair such EVM or provide replacements. Repaired EVMs shall be warranted for the remainder of the original warranty period. Replaced EVMs shall be warranted for a new full ninety (90) day warranty period.
3. *Regulatory Notices:*
  - 3.1 *United States*
    - 3.1.1 *Notice applicable to EVMs not FCC-Approved:*

**FCC NOTICE:** This kit is designed to allow product developers to evaluate electronic components, circuitry, or software associated with the kit to determine whether to incorporate such items in a finished product and software developers to write software applications for use with the end product. This kit is not a finished product and when assembled may not be resold or otherwise marketed unless all required FCC equipment authorizations are first obtained. Operation is subject to the condition that this product not cause harmful interference to licensed radio stations and that this product accept harmful interference. Unless the assembled kit is designed to operate under part 15, part 18 or part 95 of this chapter, the operator of the kit must operate under the authority of an FCC license holder or must secure an experimental authorization under part 5 of this chapter.
    - 3.1.2 *For EVMs annotated as FCC – FEDERAL COMMUNICATIONS COMMISSION Part 15 Compliant:*

### CAUTION

This device complies with part 15 of the FCC Rules. Operation is subject to the following two conditions: (1) This device may not cause harmful interference, and (2) this device must accept any interference received, including interference that may cause undesired operation.

Changes or modifications not expressly approved by the party responsible for compliance could void the user's authority to operate the equipment.

### FCC Interference Statement for Class A EVM devices

*NOTE: This equipment has been tested and found to comply with the limits for a Class A digital device, pursuant to part 15 of the FCC Rules. These limits are designed to provide reasonable protection against harmful interference when the equipment is operated in a commercial environment. This equipment generates, uses, and can radiate radio frequency energy and, if not installed and used in accordance with the instruction manual, may cause harmful interference to radio communications. Operation of this equipment in a residential area is likely to cause harmful interference in which case the user will be required to correct the interference at his own expense.*

## FCC Interference Statement for Class B EVM devices

*NOTE: This equipment has been tested and found to comply with the limits for a Class B digital device, pursuant to part 15 of the FCC Rules. These limits are designed to provide reasonable protection against harmful interference in a residential installation. This equipment generates, uses and can radiate radio frequency energy and, if not installed and used in accordance with the instructions, may cause harmful interference to radio communications. However, there is no guarantee that interference will not occur in a particular installation. If this equipment does cause harmful interference to radio or television reception, which can be determined by turning the equipment off and on, the user is encouraged to try to correct the interference by one or more of the following measures:*

- Reorient or relocate the receiving antenna.
- Increase the separation between the equipment and receiver.
- Connect the equipment into an outlet on a circuit different from that to which the receiver is connected.
- Consult the dealer or an experienced radio/TV technician for help.

### 3.2 Canada

3.2.1 For EVMs issued with an Industry Canada Certificate of Conformance to RSS-210 or RSS-247

#### Concerning EVMs Including Radio Transmitters:

This device complies with Industry Canada license-exempt RSSs. Operation is subject to the following two conditions:

(1) this device may not cause interference, and (2) this device must accept any interference, including interference that may cause undesired operation of the device.

#### Concernant les EVMs avec appareils radio:

Le présent appareil est conforme aux CNR d'Industrie Canada applicables aux appareils radio exempts de licence. L'exploitation est autorisée aux deux conditions suivantes: (1) l'appareil ne doit pas produire de brouillage, et (2) l'utilisateur de l'appareil doit accepter tout brouillage radioélectrique subi, même si le brouillage est susceptible d'en compromettre le fonctionnement.

#### Concerning EVMs Including Detachable Antennas:

Under Industry Canada regulations, this radio transmitter may only operate using an antenna of a type and maximum (or lesser) gain approved for the transmitter by Industry Canada. To reduce potential radio interference to other users, the antenna type and its gain should be so chosen that the equivalent isotropically radiated power (e.i.r.p.) is not more than that necessary for successful communication. This radio transmitter has been approved by Industry Canada to operate with the antenna types listed in the user guide with the maximum permissible gain and required antenna impedance for each antenna type indicated. Antenna types not included in this list, having a gain greater than the maximum gain indicated for that type, are strictly prohibited for use with this device.

#### Concernant les EVMs avec antennes détachables

Conformément à la réglementation d'Industrie Canada, le présent émetteur radio peut fonctionner avec une antenne d'un type et d'un gain maximal (ou inférieur) approuvé pour l'émetteur par Industrie Canada. Dans le but de réduire les risques de brouillage radioélectrique à l'intention des autres utilisateurs, il faut choisir le type d'antenne et son gain de sorte que la puissance isotrope rayonnée équivalente (p.i.r.e.) ne dépasse pas l'intensité nécessaire à l'établissement d'une communication satisfaisante. Le présent émetteur radio a été approuvé par Industrie Canada pour fonctionner avec les types d'antenne énumérés dans le manuel d'usage et ayant un gain admissible maximal et l'impédance requise pour chaque type d'antenne. Les types d'antenne non inclus dans cette liste, ou dont le gain est supérieur au gain maximal indiqué, sont strictement interdits pour l'exploitation de l'émetteur.

### 3.3 Japan

3.3.1 *Notice for EVMs delivered in Japan:* Please see [http://www.tij.co.jp/lstds/ti\\_ja/general/eStore/notice\\_01.page](http://www.tij.co.jp/lstds/ti_ja/general/eStore/notice_01.page) 日本国内に輸入される評価用キット、ボードについては、次のところをご覧ください。  
[http://www.tij.co.jp/lstds/ti\\_ja/general/eStore/notice\\_01.page](http://www.tij.co.jp/lstds/ti_ja/general/eStore/notice_01.page)

3.3.2 *Notice for Users of EVMs Considered "Radio Frequency Products" in Japan:* EVMs entering Japan may not be certified by TI as conforming to Technical Regulations of Radio Law of Japan.

If User uses EVMs in Japan, not certified to Technical Regulations of Radio Law of Japan, User is required to follow the instructions set forth by Radio Law of Japan, which includes, but is not limited to, the instructions below with respect to EVMs (which for the avoidance of doubt are stated strictly for convenience and should be verified by User):

1. Use EVMs in a shielded room or any other test facility as defined in the notification #173 issued by Ministry of Internal Affairs and Communications on March 28, 2006, based on Sub-section 1.1 of Article 6 of the Ministry's Rule for Enforcement of Radio Law of Japan,
2. Use EVMs only after User obtains the license of Test Radio Station as provided in Radio Law of Japan with respect to EVMs, or
3. Use of EVMs only after User obtains the Technical Regulations Conformity Certification as provided in Radio Law of Japan with respect to EVMs. Also, do not transfer EVMs, unless User gives the same notice above to the transferee. Please note that if User does not follow the instructions above, User will be subject to penalties of Radio Law of Japan.

【無線電波を送信する製品の開発キットをお使いになる際の注意事項】 開発キットの中には技術基準適合証明を受けていないものがあります。技術適合証明を受けていないものご使用に際しては、電波法遵守のため、以下のいずれかの措置を取っていただく必要がありますのでご注意ください。

1. 電波法施行規則第6条第1項第1号に基づく平成18年3月28日総務省告示第173号で定められた電波暗室等の試験設備でご使用いただく。
2. 実験局の免許を取得後ご使用いただく。
3. 技術基準適合証明を取得後ご使用いただく。

なお、本製品は、上記の「ご使用にあたっての注意」を譲渡先、移転先に通知しない限り、譲渡、移転できないものとします。

上記を遵守頂けない場合は、電波法の罰則が適用される可能性があることをご留意ください。日本テキサス・インスツルメンツ株式会社  
東京都新宿区西新宿 6 丁目 2 4 番 1 号  
西新宿三井ビル

3.3.3 *Notice for EVMs for Power Line Communication:* Please see [http://www.tij.co.jp/lstds/ti\\_ja/general/eStore/notice\\_02.page](http://www.tij.co.jp/lstds/ti_ja/general/eStore/notice_02.page)  
電力線搬送波通信についての開発キットをお使いになる際の注意事項については、次のところをご覧ください。 [http://www.tij.co.jp/lstds/ti\\_ja/general/eStore/notice\\_02.page](http://www.tij.co.jp/lstds/ti_ja/general/eStore/notice_02.page)

#### 3.4 *European Union*

##### 3.4.1 *For EVMs subject to EU Directive 2014/30/EU (Electromagnetic Compatibility Directive):*

This is a class A product intended for use in environments other than domestic environments that are connected to a low-voltage power-supply network that supplies buildings used for domestic purposes. In a domestic environment this product may cause radio interference in which case the user may be required to take adequate measures.

#### 4 *EVM Use Restrictions and Warnings:*

4.1 EVMS ARE NOT FOR USE IN FUNCTIONAL SAFETY AND/OR SAFETY CRITICAL EVALUATIONS, INCLUDING BUT NOT LIMITED TO EVALUATIONS OF LIFE SUPPORT APPLICATIONS.

4.2 User must read and apply the user guide and other available documentation provided by TI regarding the EVM prior to handling or using the EVM, including without limitation any warning or restriction notices. The notices contain important safety information related to, for example, temperatures and voltages.

##### 4.3 *Safety-Related Warnings and Restrictions:*

4.3.1 User shall operate the EVM within TI's recommended specifications and environmental considerations stated in the user guide, other available documentation provided by TI, and any other applicable requirements and employ reasonable and customary safeguards. Exceeding the specified performance ratings and specifications (including but not limited to input and output voltage, current, power, and environmental ranges) for the EVM may cause personal injury or death, or property damage. If there are questions concerning performance ratings and specifications, User should contact a TI field representative prior to connecting interface electronics including input power and intended loads. Any loads applied outside of the specified output range may also result in unintended and/or inaccurate operation and/or possible permanent damage to the EVM and/or interface electronics. Please consult the EVM user guide prior to connecting any load to the EVM output. If there is uncertainty as to the load specification, please contact a TI field representative. During normal operation, even with the inputs and outputs kept within the specified allowable ranges, some circuit components may have elevated case temperatures. These components include but are not limited to linear regulators, switching transistors, pass transistors, current sense resistors, and heat sinks, which can be identified using the information in the associated documentation. When working with the EVM, please be aware that the EVM may become very warm.

4.3.2 EVMs are intended solely for use by technically qualified, professional electronics experts who are familiar with the dangers and application risks associated with handling electrical mechanical components, systems, and subsystems. User assumes all responsibility and liability for proper and safe handling and use of the EVM by User or its employees, affiliates, contractors or designees. User assumes all responsibility and liability to ensure that any interfaces (electronic and/or mechanical) between the EVM and any human body are designed with suitable isolation and means to safely limit accessible leakage currents to minimize the risk of electrical shock hazard. User assumes all responsibility and liability for any improper or unsafe handling or use of the EVM by User or its employees, affiliates, contractors or designees.

4.4 User assumes all responsibility and liability to determine whether the EVM is subject to any applicable international, federal, state, or local laws and regulations related to User's handling and use of the EVM and, if applicable, User assumes all responsibility and liability for compliance in all respects with such laws and regulations. User assumes all responsibility and liability for proper disposal and recycling of the EVM consistent with all applicable international, federal, state, and local requirements.

5. *Accuracy of Information:* To the extent TI provides information on the availability and function of EVMs, TI attempts to be as accurate as possible. However, TI does not warrant the accuracy of EVM descriptions, EVM availability or other information on its websites as accurate, complete, reliable, current, or error-free.

6. *Disclaimers:*

6.1 EXCEPT AS SET FORTH ABOVE, EVMS AND ANY MATERIALS PROVIDED WITH THE EVM (INCLUDING, BUT NOT LIMITED TO, REFERENCE DESIGNS AND THE DESIGN OF THE EVM ITSELF) ARE PROVIDED "AS IS" AND "WITH ALL FAULTS." TI DISCLAIMS ALL OTHER WARRANTIES, EXPRESS OR IMPLIED, REGARDING SUCH ITEMS, INCLUDING BUT NOT LIMITED TO ANY EPIDEMIC FAILURE WARRANTY OR IMPLIED WARRANTIES OF MERCHANTABILITY OR FITNESS FOR A PARTICULAR PURPOSE OR NON-INFRINGEMENT OF ANY THIRD PARTY PATENTS, COPYRIGHTS, TRADE SECRETS OR OTHER INTELLECTUAL PROPERTY RIGHTS.

6.2 EXCEPT FOR THE LIMITED RIGHT TO USE THE EVM SET FORTH HEREIN, NOTHING IN THESE TERMS SHALL BE CONSTRUED AS GRANTING OR CONFERRING ANY RIGHTS BY LICENSE, PATENT, OR ANY OTHER INDUSTRIAL OR INTELLECTUAL PROPERTY RIGHT OF TI, ITS SUPPLIERS/LICENSORS OR ANY OTHER THIRD PARTY, TO USE THE EVM IN ANY FINISHED END-USER OR READY-TO-USE FINAL PRODUCT, OR FOR ANY INVENTION, DISCOVERY OR IMPROVEMENT, REGARDLESS OF WHEN MADE, CONCEIVED OR ACQUIRED.

7. *USER'S INDEMNITY OBLIGATIONS AND REPRESENTATIONS.* USER WILL DEFEND, INDEMNIFY AND HOLD TI, ITS LICENSORS AND THEIR REPRESENTATIVES HARMLESS FROM AND AGAINST ANY AND ALL CLAIMS, DAMAGES, LOSSES, EXPENSES, COSTS AND LIABILITIES (COLLECTIVELY, "CLAIMS") ARISING OUT OF OR IN CONNECTION WITH ANY HANDLING OR USE OF THE EVM THAT IS NOT IN ACCORDANCE WITH THESE TERMS. THIS OBLIGATION SHALL APPLY WHETHER CLAIMS ARISE UNDER STATUTE, REGULATION, OR THE LAW OF TORT, CONTRACT OR ANY OTHER LEGAL THEORY, AND EVEN IF THE EVM FAILS TO PERFORM AS DESCRIBED OR EXPECTED.

8. *Limitations on Damages and Liability:*

8.1 *General Limitations.* IN NO EVENT SHALL TI BE LIABLE FOR ANY SPECIAL, COLLATERAL, INDIRECT, PUNITIVE, INCIDENTAL, CONSEQUENTIAL, OR EXEMPLARY DAMAGES IN CONNECTION WITH OR ARISING OUT OF THESE TERMS OR THE USE OF THE EVMS , REGARDLESS OF WHETHER TI HAS BEEN ADVISED OF THE POSSIBILITY OF SUCH DAMAGES. EXCLUDED DAMAGES INCLUDE, BUT ARE NOT LIMITED TO, COST OF REMOVAL OR REINSTALLATION, ANCILLARY COSTS TO THE PROCUREMENT OF SUBSTITUTE GOODS OR SERVICES, RETESTING, OUTSIDE COMPUTER TIME, LABOR COSTS, LOSS OF GOODWILL, LOSS OF PROFITS, LOSS OF SAVINGS, LOSS OF USE, LOSS OF DATA, OR BUSINESS INTERRUPTION. NO CLAIM, SUIT OR ACTION SHALL BE BROUGHT AGAINST TI MORE THAN TWELVE (12) MONTHS AFTER THE EVENT THAT GAVE RISE TO THE CAUSE OF ACTION HAS OCCURRED.

8.2 *Specific Limitations.* IN NO EVENT SHALL TI'S AGGREGATE LIABILITY FROM ANY USE OF AN EVM PROVIDED HEREUNDER, INCLUDING FROM ANY WARRANTY, INDEMNITY OR OTHER OBLIGATION ARISING OUT OF OR IN CONNECTION WITH THESE TERMS, , EXCEED THE TOTAL AMOUNT PAID TO TI BY USER FOR THE PARTICULAR EVM(S) AT ISSUE DURING THE PRIOR TWELVE (12) MONTHS WITH RESPECT TO WHICH LOSSES OR DAMAGES ARE CLAIMED. THE EXISTENCE OF MORE THAN ONE CLAIM SHALL NOT ENLARGE OR EXTEND THIS LIMIT.

9. *Return Policy.* Except as otherwise provided, TI does not offer any refunds, returns, or exchanges. Furthermore, no return of EVM(s) will be accepted if the package has been opened and no return of the EVM(s) will be accepted if they are damaged or otherwise not in a resalable condition. If User feels it has been incorrectly charged for the EVM(s) it ordered or that delivery violates the applicable order, User should contact TI. All refunds will be made in full within thirty (30) working days from the return of the components(s), excluding any postage or packaging costs.

10. *Governing Law:* These terms and conditions shall be governed by and interpreted in accordance with the laws of the State of Texas, without reference to conflict-of-laws principles. User agrees that non-exclusive jurisdiction for any dispute arising out of or relating to these terms and conditions lies within courts located in the State of Texas and consents to venue in Dallas County, Texas. Notwithstanding the foregoing, any judgment may be enforced in any United States or foreign court, and TI may seek injunctive relief in any United States or foreign court.

## IMPORTANT NOTICE FOR TI DESIGN INFORMATION AND RESOURCES

Texas Instruments Incorporated ("TI") technical, application or other design advice, services or information, including, but not limited to, reference designs and materials relating to evaluation modules, (collectively, "TI Resources") are intended to assist designers who are developing applications that incorporate TI products; by downloading, accessing or using any particular TI Resource in any way, you (individually or, if you are acting on behalf of a company, your company) agree to use it solely for this purpose and subject to the terms of this Notice.

TI's provision of TI Resources does not expand or otherwise alter TI's applicable published warranties or warranty disclaimers for TI products, and no additional obligations or liabilities arise from TI providing such TI Resources. TI reserves the right to make corrections, enhancements, improvements and other changes to its TI Resources.

You understand and agree that you remain responsible for using your independent analysis, evaluation and judgment in designing your applications and that you have full and exclusive responsibility to assure the safety of your applications and compliance of your applications (and of all TI products used in or for your applications) with all applicable regulations, laws and other applicable requirements. You represent that, with respect to your applications, you have all the necessary expertise to create and implement safeguards that (1) anticipate dangerous consequences of failures, (2) monitor failures and their consequences, and (3) lessen the likelihood of failures that might cause harm and take appropriate actions. You agree that prior to using or distributing any applications that include TI products, you will thoroughly test such applications and the functionality of such TI products as used in such applications. TI has not conducted any testing other than that specifically described in the published documentation for a particular TI Resource.

You are authorized to use, copy and modify any individual TI Resource only in connection with the development of applications that include the TI product(s) identified in such TI Resource. NO OTHER LICENSE, EXPRESS OR IMPLIED, BY ESTOPPEL OR OTHERWISE TO ANY OTHER TI INTELLECTUAL PROPERTY RIGHT, AND NO LICENSE TO ANY TECHNOLOGY OR INTELLECTUAL PROPERTY RIGHT OF TI OR ANY THIRD PARTY IS GRANTED HEREIN, including but not limited to any patent right, copyright, mask work right, or other intellectual property right relating to any combination, machine, or process in which TI products or services are used. Information regarding or referencing third-party products or services does not constitute a license to use such products or services, or a warranty or endorsement thereof. Use of TI Resources may require a license from a third party under the patents or other intellectual property of the third party, or a license from TI under the patents or other intellectual property of TI.

TI RESOURCES ARE PROVIDED "AS IS" AND WITH ALL FAULTS. TI DISCLAIMS ALL OTHER WARRANTIES OR REPRESENTATIONS, EXPRESS OR IMPLIED, REGARDING TI RESOURCES OR USE THEREOF, INCLUDING BUT NOT LIMITED TO ACCURACY OR COMPLETENESS, TITLE, ANY EPIDEMIC FAILURE WARRANTY AND ANY IMPLIED WARRANTIES OF MERCHANTABILITY, FITNESS FOR A PARTICULAR PURPOSE, AND NON-INFRINGEMENT OF ANY THIRD PARTY INTELLECTUAL PROPERTY RIGHTS.

TI SHALL NOT BE LIABLE FOR AND SHALL NOT DEFEND OR INDEMNIFY YOU AGAINST ANY CLAIM, INCLUDING BUT NOT LIMITED TO ANY INFRINGEMENT CLAIM THAT RELATES TO OR IS BASED ON ANY COMBINATION OF PRODUCTS EVEN IF DESCRIBED IN TI RESOURCES OR OTHERWISE. IN NO EVENT SHALL TI BE LIABLE FOR ANY ACTUAL, DIRECT, SPECIAL, COLLATERAL, INDIRECT, PUNITIVE, INCIDENTAL, CONSEQUENTIAL OR EXEMPLARY DAMAGES IN CONNECTION WITH OR ARISING OUT OF TI RESOURCES OR USE THEREOF, AND REGARDLESS OF WHETHER TI HAS BEEN ADVISED OF THE POSSIBILITY OF SUCH DAMAGES.

You agree to fully indemnify TI and its representatives against any damages, costs, losses, and/or liabilities arising out of your non-compliance with the terms and provisions of this Notice.

This Notice applies to TI Resources. Additional terms apply to the use and purchase of certain types of materials, TI products and services. These include; without limitation, TI's standard terms for semiconductor products (<http://www.ti.com/sc/docs/stdterms.htm>), [evaluation modules](#), and [samples](http://www.ti.com/sc/docs/sampterm.htm) (<http://www.ti.com/sc/docs/sampterm.htm>).

Mailing Address: Texas Instruments, Post Office Box 655303, Dallas, Texas 75265  
Copyright © 2017, Texas Instruments Incorporated