

# GN 235

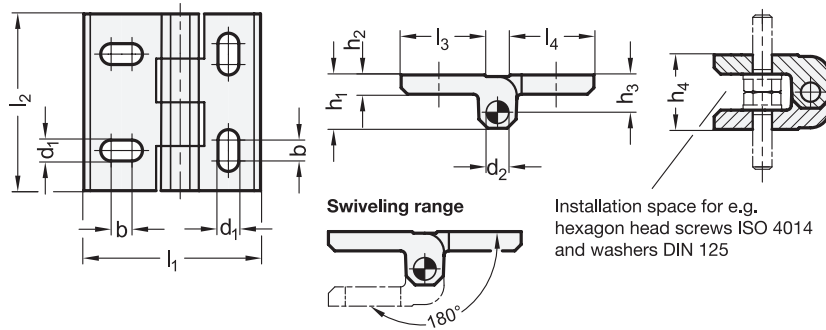
Zinc Die-Cast / Stainless Steel

# Hinges

Adjustable



**JWWINCO**  
A Ganter Company



Swiveling range

Installation space for e.g. hexagon head screws ISO 4014 and washers DIN 125

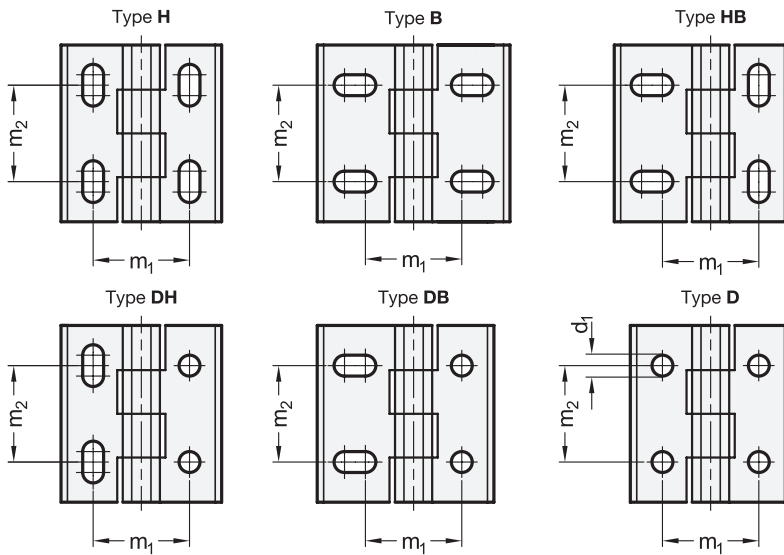


Metric

SS Stainless Steel

### 4 Type

- H** Vertical slots
- B** Horizontal slots
- HB** Horizontal and vertical slots
- D** With through holes
- DH** With through holes and vertical slots
- DB** With through holes and horizontal slots



## Metric table

2

3

Dimensions in: millimeters - inches

l <sub>1</sub>			l <sub>2</sub>	b	d <sub>1</sub>	d <sub>2</sub>	h <sub>1</sub>	h <sub>2</sub>	h <sub>3</sub>	h <sub>4</sub>	l <sub>3</sub>	l <sub>4</sub>		m <sub>1</sub>	m <sub>2</sub>	
Type D, DH, H	Type DB, HB	Type B										Type D, DH, H	Type DB, HB, B			Type D, DH, H, DB, HB
40 1.57	45 1.77	50 1.97	45 1.77	5.3 0.21	5.3 0.21	4 0.16	13 0.51	5 0.20	9.5 0.37	19 0.75	16 0.63	21 0.83	16 0.63	21 0.83	25 0.98	25 0.98
50 1.97	55 2.17	60 2.36	55 2.17	6.5 0.26	6.5 0.26	6 0.24	16.6 0.65	6 0.24	11.6 0.46	23.2 0.91	21 0.83	26 1.02	21 0.83	26 1.02	30 1.18	30 1.18
60 2.36	68 2.68	76 2.99	65 2.56	8.3 0.33	8.3 0.33	8 0.31	21.4 0.84	8 0.31	14.9 0.59	29.8 1.17	26 1.02	33.5 1.32	26 1.02	33.5 1.32	36 1.42	36 1.42

## Specification

1

5

- Body  
Zinc die-cast **ZD**  
Powder coated  
Black, RAL 9005, textured finish **SW**  
Silver, RAL 9006, textured finish **SR**
- Stainless steel AISI CF-8 **NI**  
Matte shot-blasted finish **GS**
- Pin  
Stainless steel AISI 316Ti
- Load Rating Information → page 2088
- Stainless Steel Characteristics → page 2143
- RoHS compliant

## Information

GN 235 hinges are adjustable vertically or horizontally along the slots, depending on the design, and are fastened with hexagon head, oval head or socket cap screws with a low head.

Sufficient space (installation space) is available for screw heads (with low heads) and washers, which allows the hinges to be opened the full range of 180°.

The hinge drill pattern corresponds with that of the GN 237 hinge family, which allows the hinges to be exchangeable.

see also...

- List of Hinge Types → page 1324
- Hinges GN 237 (Non Lift-Off) → page 1330

## Accessory

- Spacer plates GN 2370 → page 1380
- Spacer plates with tapped holes GN 2372 → page 1381

### How to order

**GN 235-ZD-45-45-DB-SR**

- 1 Material
- 2 Width l<sub>1</sub>
- 3 Length l<sub>2</sub>
- 4 Type
- 5 Finish

3.1  
3.2  
3.3  
3.4  
3.5  
3.6  
3.7  
3.8  
3.9  
3.10