

NORTH STAR™ LED Round UFO High Bay

Beyond LED's NorthStar LED Round UFO High Bay Light is one of the most feature rich products of 2021. This product is designed to maximize light output with efficacy up to 145 Lumens per Watt. NorthStar is built to last with standard 4kv surge protection, 45°C ambient temperature rating, and IP65 rating for elimination of dust, moisture, and airborne contaminants. The NorthStar High Bay can be integrated with feedback control systems. The unique easy connect driver to optical assembly interface allows quick and easy maintenance for applications including warehousing, gymnasiums, manufacturing, and outdoor canopies.



Product Features

- Operating temperature: -40°C to 50°C
- Up to 145 Lumens per Watt efficacy
- 0-10V Dimming capability
- Plug and play motion sensor
- Several optional mounting options
- Integral LED driver, eliminates the need for an external driver or ballast
- Complies with UL safety regulations and is DLC listed
- This product is IP65 rated, therefore, it is suited for both indoor and outdoor applications
- Spotless soft light without shadow
- Optional Emergency backup
- Lumileds or Samsung chip with high CRI
- Universal 100-277Vac / 480Vac optional
- No UV or IR in the beam
- Environment friendly with no mercury
- Easy to install and operate, with instant and no humming
- Energy saving with long lifespan

SKU #	Model #	Watts	Lumens	CCT	Input Voltage	Housing	Certification
153500	BLT-HB11-150WM1XYD1-abcd	150W	21900LM	5000K	100-277V	White	UL & DLC
153501	BLT-HB11-240WM1XYD1-abcd	240W	35100LM	5000K	100-277V	White	UL & DLC
153581	BLT-HB11-240WS1BT2H1-WH35	240W	35100LM	5000K	277-480V	White	UL & DLC
154129	BLT-HB11-240WS1BT2H1-WH35	240W	35100LM	5000K	100-277V	White	UL & DLC
154230	BLT-HB11-100WS1BT2H1-WH35	100W	14600LM	5000K	100-277V	Black	UL & DLC
154231	BLT-HB11-240WS1BT2H1-WH35	240W	35100LM	5000K	100-277V	Black	UL & DLC
151886	U Bracket	-	-	-	-	-	-
152598	Optional Motion Sensor	-	-	-	-	-	-
152613	Motion Sensor Remote	-	-	-	-	-	-

SKU Number 153500 Specifications

Parameter	Description	Value
General	Model #	BLT-HB11-150WM1XYD1-abcd
	Performance	
	Wattage	150W
	Lumen	Up to 21900LM
	Lumen Efficacy	Up to 145LM/W
	Color Temperature	5000K
	CRI (Ra)	>80
	Beam Angle	90 Degree
	Diffuser Type	PC Lens
Electrical	Input Voltage	100-277Vac
	Frequency	50/60Hz
	Dimming	0-10V dimming standard
	PF	≥0.9
	Driver Surge protection	L/N-PE: 4kV, L-N: 6kV
	Flicker Percent	<5%
Physical	Operating Temperature	-40°C TO 50°C (Without Sensor)
	Operating Temperature	-30°C TO 50°C (With Sensor)
	Storage Temperature	-40°C TO 80°C
	Operating Humidity	20% - 90% RH
	Storage Humidity	10% - 95% RH
	LED Brand	Lumileds
	LED Type	SMD2835
	LED QTY	425PCS
	Housing	Die-cast aluminium
	Housing Color	White
Qualification	IP Rating	WET (IP65)
	Warranty	5 years warranty with 24/7 operating hours Luminaire lifetime at 25°C



SKU Number 153501 Specifications

Parameter	Description	Value
General Performance	Model #	BLT-HB11-240WM1XYD1-abcd
	Wattage	240W
	Lumen	Up to 35100LM
	Lumen Efficacy	Up to 145LM/W
	Color Temperature	5000K
	CRI (Ra)	>80
	Beam Angle	90 Degree
	Diffuser Type	PC Lens
Electrical	Input Voltage	100-277Vac
	Frequency	50/60Hz
	Dimming	0-10V dimming standard
	PF	≥0.9
	Driver Surge protection	L/N-PE: 4kV, L-N: 6kV
	Flicker Percent	<5%
Physical	Operating Temperature	-40°C TO 50°C (Without Sensor)
	Operating Temperature	-30°C TO 50°C (With Sensor)
	Storage Temperature	-40°C TO 80°C
	Operating Humidity	20% - 90% RH
	Storage Humidity	10% - 95% RH
	LED Brand	Lumileds
	LED Type	SMD2835
	LED QTY	720PCS
	Housing	Die-cast aluminium
Housing Color	White	
Qualification	IP Rating	WET (IP65)
	Warranty	5 years warranty with 24/7 operating hours Luminaire lifetime at 25°C



SKU Number 153581 Specifications

Parameter	Description	Value
General Performance	Model #	BLT-HB11-240WS1BT2H1-WH35
	Wattage	240W
	Lumen	Up to 35100LM
	Lumen Efficacy	Up to 145LM/W
	Color Temperature	5000K
	CRI (Ra)	>80
	Beam Angle	90 Degree
	Diffuser Type	PC Lens
Electrical	Input Voltage	277-480Vac
	Frequency	50/60Hz
	Dimming	0-10V dimming standard
	PF	≥0.9
	Driver Surge protection	L/N-PE: 4kV, L-N: 6kV
	Flicker Percent	<5%
Physical	Operating Temperature	-40°C TO 50°C (Without Sensor)
	Operating Temperature	-30°C TO 50°C (With Sensor)
	Storage Temperature	-40°C TO 80°C
	Operating Humidity	20% - 90% RH
	Storage Humidity	10% - 95% RH
	LED Brand	Lumileds
	LED Type	SMD2835
	LED QTY	720PCS
	Housing	Die-cast aluminium
	Housing Color	White
Qualification	IP Rating	WET (IP65)
	Warranty	5 years warranty with 24/7 operating hours Luminaire lifetime at 25°C



SKU Number 154129 Specifications

Parameter	Description	Value
General Performance	Model #	BLT-HB11-240WS1BT2H1-WH35
	Wattage	240W
	Lumen	Up to 35100LM
	Lumen Efficacy	Up to 145LM/W
	Color Temperature	5000K
	CRI (Ra)	>80
	Beam Angle	90 Degree
	Diffuser Type	PC Lens
Electrical	Input Voltage	100-277Vac
	Frequency	50/60Hz
	Dimming	0-10V dimming standard
	PF	≥0.9
	Driver Surge protection	L/N-PE: 6kV, L-N: 4kV
	Flicker Percent	<5%
	Backup	Built-in Battery Backup
Physical	Operating Temperature	-40°C TO 50°C (Without Sensor)
	Operating Temperature	-30°C TO 50°C (With Sensor)
	Storage Temperature	-40°C TO 80°C
	Operating Humidity	20% - 90% RH
	Storage Humidity	10% - 95% RH
	LED Brand	Lumileds
	LED Type	SMD2835
	LED QTY	720PCS
	Housing	Die-cast aluminium
	Housing Color	White
Qualification	IP Rating	WET (IP65)
	Warranty	5 years warranty with 24/7 operating hours Luminaire lifetime at 25°C



SKU Number 154230 Specifications

Parameter	Description	Value
General Performance	Model #	BLT-HB11-100WS1BT2H1-WH35
	Wattage	100W
	Lumen	Up to 14600LM
	Lumen Efficacy	Up to 145LM/W
	Color Temperature	5000K
	CRI (Ra)	>80
	Beam Angle	90 Degree
	Diffuser Type	PC Lens
Electrical	Input Voltage	120-277Vac
	Frequency	50/60Hz
	Dimming	0-10V dimming standard
	PF	≥0.9
	Driver Surge protection	L/N-PE: 6kV, L-N: 4kV
	Flicker Percent	<5%
Physical	Operating Temperature	-40°C TO 50°C (Without Sensor)
	Operating Temperature	-30°C TO 50°C (With Sensor)
	Storage Temperature	-40°C TO 80°C
	Operating Humidity	20% - 90% RH
	Storage Humidity	10% - 95% RH
	LED Brand	Lumileds
	LED Type	SMD2835
	LED QTY	320PCS
	Housing	Die-cast aluminium
	Housing Color	Black
Qualification	IP Rating	WET (IP65)
	Warranty	5 years warranty with 24/7 operating hours Luminaire lifetime at 25°C

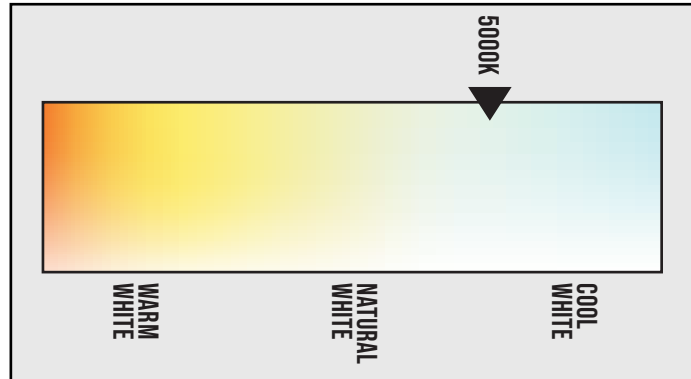


SKU Number 154231 Specifications

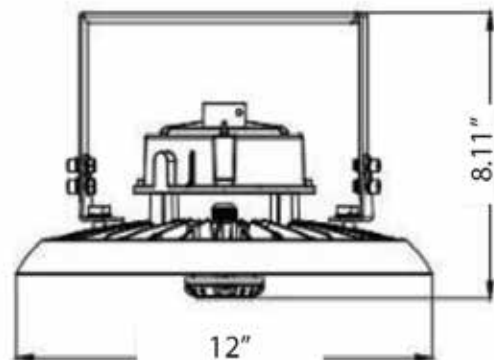
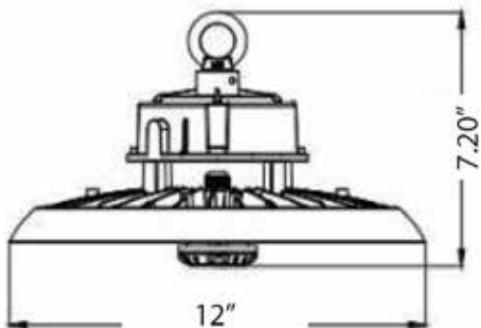
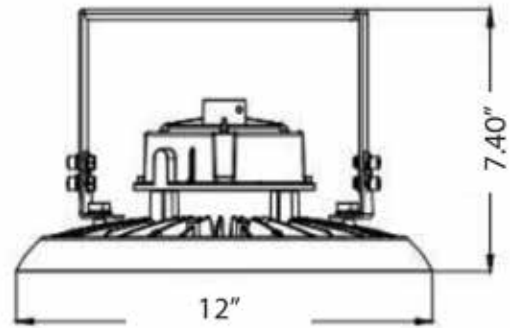
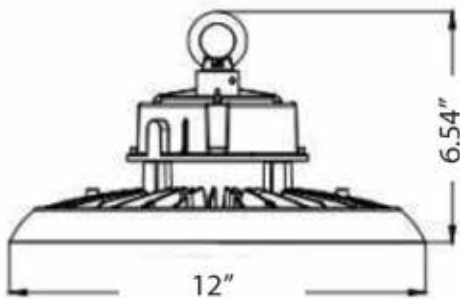
Parameter	Description	Value
General Performance	Model #	BLT-HB11-240WS1BT2H1-WH35
	Wattage	240W
	Lumen	Up to 35100LM
	Lumen Efficacy	Up to 145LM/W
	Color Temperature	5000K
	CRI (Ra)	>80
	Beam Angle	90 Degree
	Diffuser Type	PC Lens
Electrical	Input Voltage	100-277Vac
	Frequency	50/60Hz
	Dimming	0-10V dimming standard
	PF	≥0.9
	Driver Surge protection	L/N-PE: 6kV, L-N: 4kV
	Flicker Percent	<5%
	Backup	Built-in Battery Backup
Physical	Operating Temperature	-40°C TO 50°C (Without Sensor)
	Operating Temperature	-30°C TO 50°C (With Sensor)
	Storage Temperature	-40°C TO 80°C
	Operating Humidity	20% - 90% RH
	Storage Humidity	10% - 95% RH
	LED Brand	Lumileds
	LED Type	SMD2835
	LED QTY	720PCS
	Housing	Die-cast aluminium
	Housing Color	Black
Qualification	IP Rating	WET (IP65)
	Warranty	5 years warranty with 24/7 operating hours Luminaire lifetime at 25°C



Correlated Color Temperature (CCT)

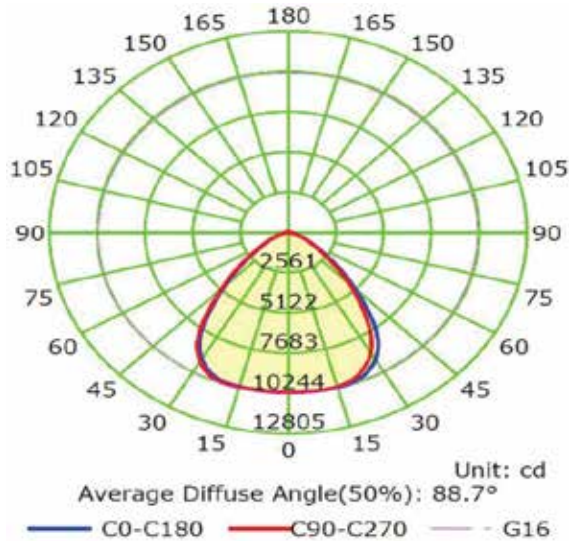


Dimensions

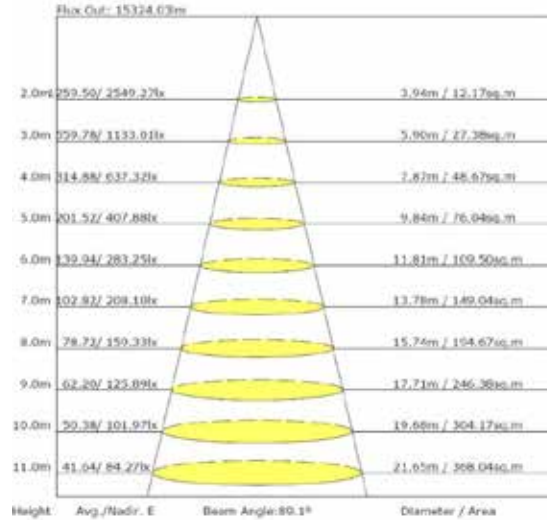


Photometric Data for SKU Number 153500

Luminous Intensity Distribution Curve

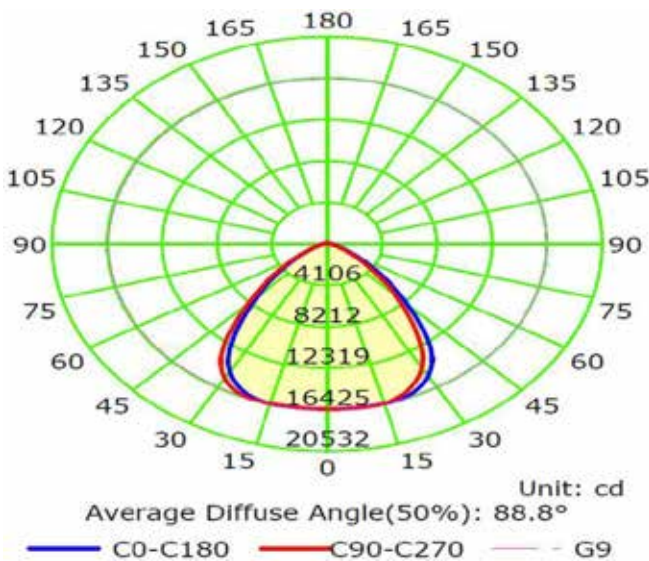


Illuminance at a Distance

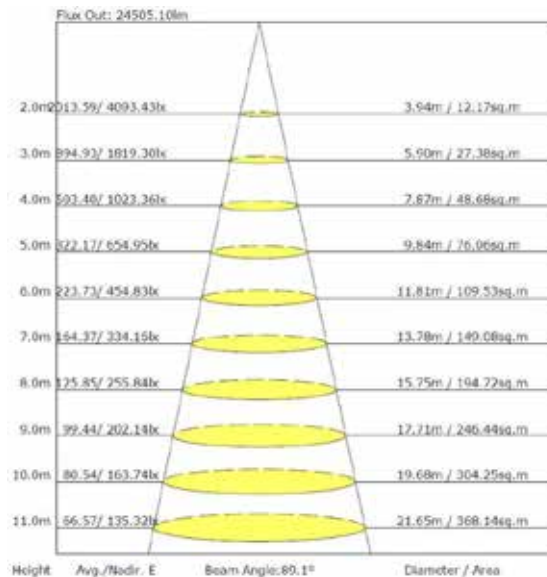


Photometric Data for SKU Number 153501

Luminous Intensity Distribution Curve



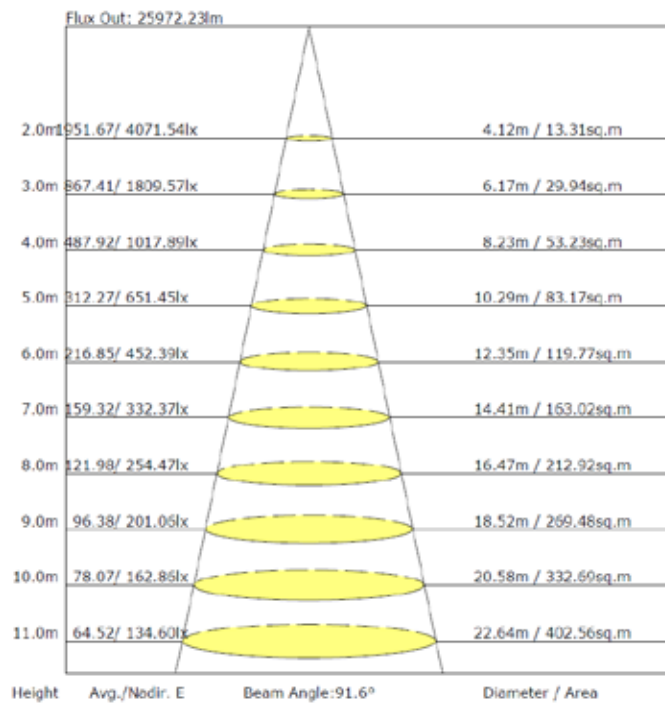
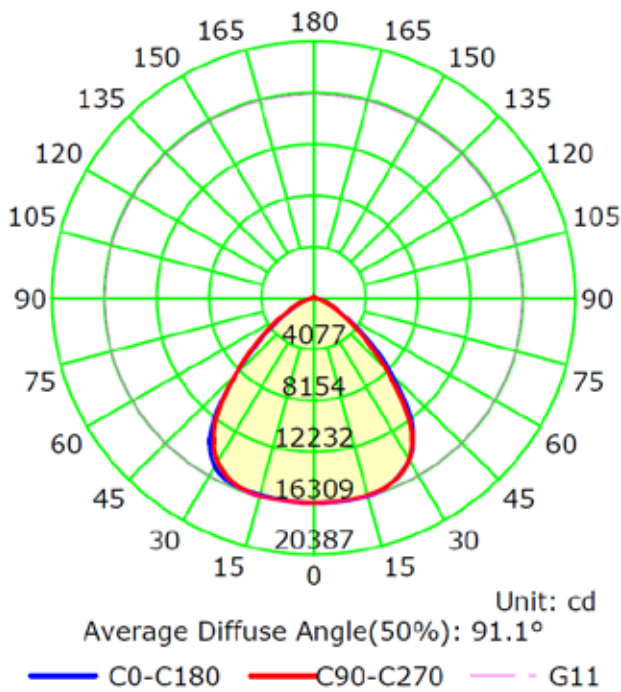
Illuminance at a Distance



Photometric Data for SKU Number 153581

Luminous Intensity Distribution Curve

Illuminance at a Distance



Installation Instructions

Hook Mount

1. Screw the hook into the fixture, tighten and fix it. (figure 1)
2. Hang the fixture on the ceiling hook or chain. (figure 2)
3. After installation, connect the wire of the fixture to the mains according to local wiring rules, ensure the connection is stable and protected on the connection.

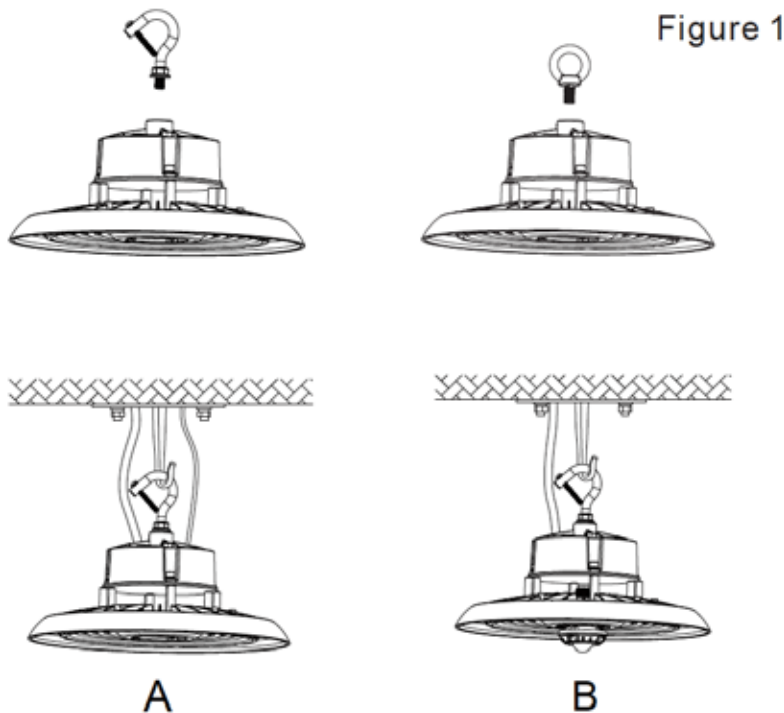


Figure 2

Ceiling Mount

1. Mark with a marker pen or sharpie tool on the mounting surface and drill. (figure 3)
2. Fix screws into the holes with a hammer. (figure 4)
3. Align the bracket hole with screw hole (figure 5), and push the fixture to one side (figure 6) and fix it.
4. After installation, connect the wire of the fixture to the mains according to local wiring rules, ensure the connection is stable and protected on the connection. By adjusting the brackets screws, users can adjust 50° to the left or right vertically. (figure 7)

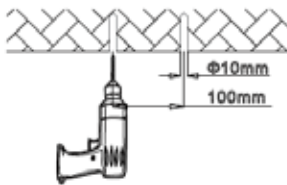


Figure 3

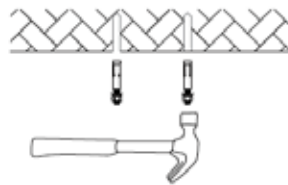


Figure 4

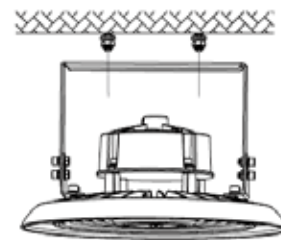


Figure 5

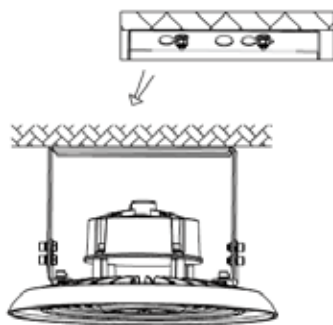


Figure 6

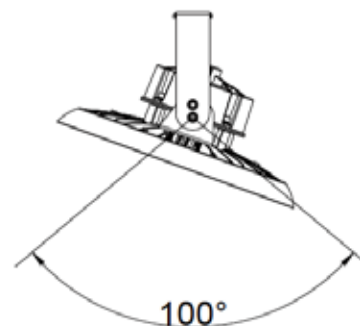
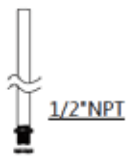


Figure 7

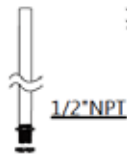
U Bracket Mount

1. Unscrew the nuts on 1/2" NPT. (figure 8)
2. Insert 1/2" NPT stem into the bracket hole. (figure 9)
3. Re-screw the nuts. (figure 10)
4. After installation, connect the wire of the fixture to the mains according to local wiring rules, ensure the connection is stable and make good protection on the connection. By adjusting the brackets screws, users can adjust 50° to the left or right vertically. (figure 11)

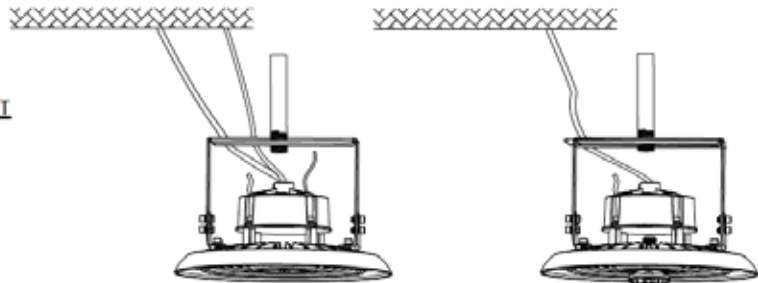


A

Figure 8



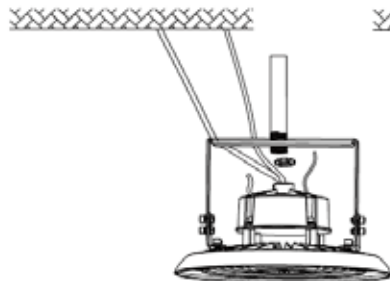
B



A

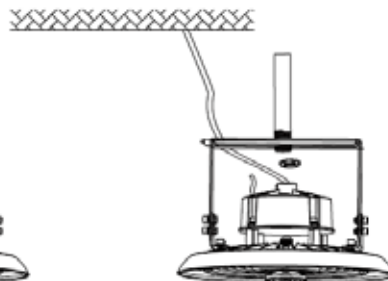
B

Figure 9



A

Figure 10



B

Figure 11

Installation of Motion Sensor

The fixture has integrated function 3 Power selectable. The setting could be customized. Operation: Take away the water-proof gasket, adjust dip switch to choose Power as per sign. The original setting could be either factory default or customized request(Figure 12-1).

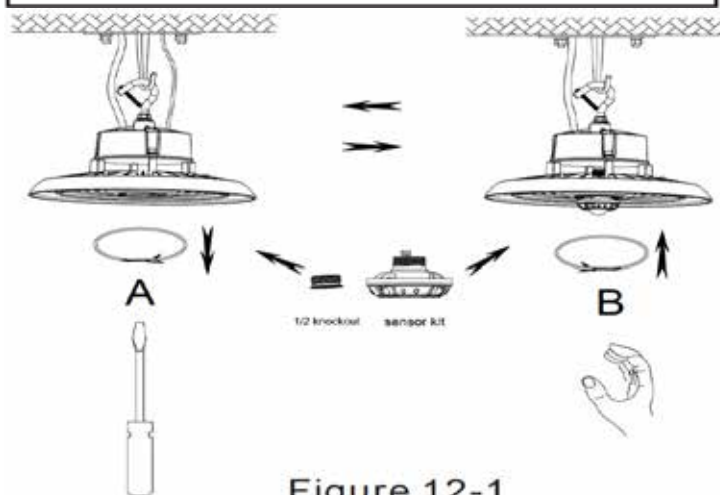


Figure 12-1

Caution

1. Can not use the electric generator to test the LED light .
2. Please abide by related country, regional and local law and regulations when installing this fixture.
3. Please turn off the power before installation or maintenance.
4. Proper grounding is required to ensure safety.

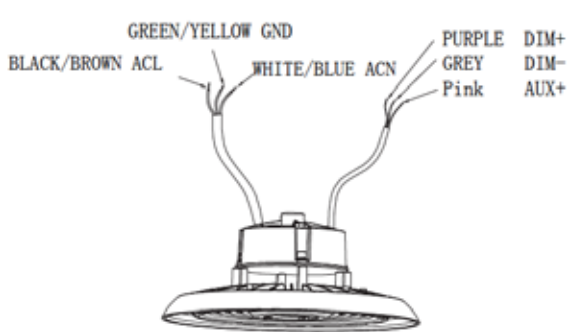
Notice

1. To avoid possibility of electrical shock or fire, the installation personnel must have professional electric knowledge.
2. Please wear gloves to avoid injury before installation.
3. If there is any smoke or spark, please turn off the power immediately and consult a qualified electrician.
4. Please use listed water proof strain relief bushing when connection the supply cord to the outlet box.

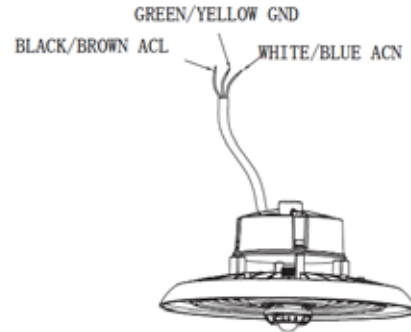
Wiring Diagram & Instructions

This LED highbay light can be equipped with optional DC motion sensor, and is available with 1-10V dimming function, with following 3 dimming solutions:

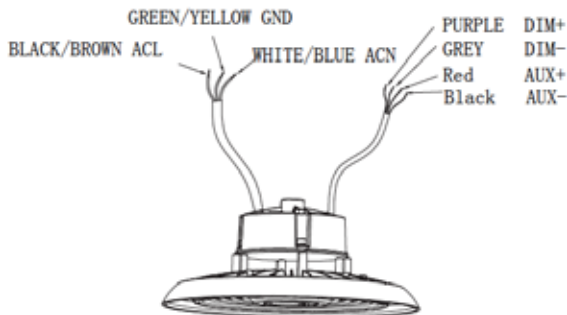
1. 1-10V dimming,
2. Intelligent dimming with DC motion sensor,
- 3 Pre-install tool-free handling DC motion sensor dimming module, and choose dimming module, and choose dimming function freely.



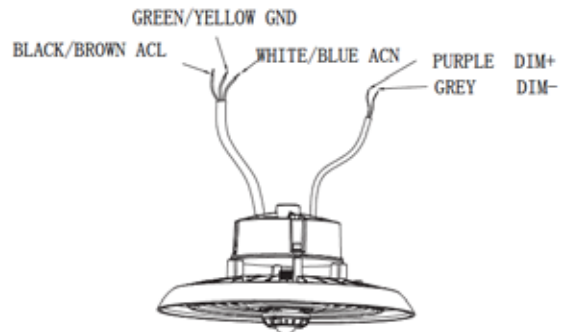
A



B



C



D

Packaging Info for SKU # 153500

Bracket Type	Carton Size	Qty/Box	N.W./Box	G.W./Box
Hook Mount	14.17 X 14.17 X 7.68 in	1 PC	5.51 lbs	7.28 lbs
Ceiling Mount	14.17 X 14.17 X 7.68 in	1 PC	6.40 lbs	8.16 lbs

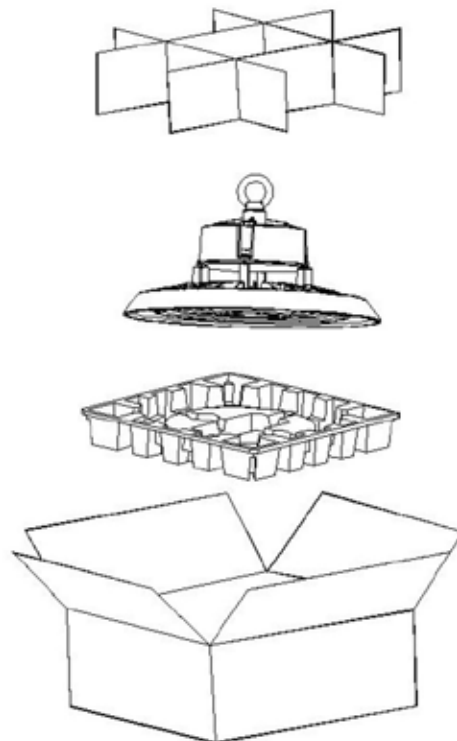
Packaging Info for SKU # 153501, 154239, 154129, 154231 & 153581

Bracket Type	Carton Size	Qty/Box	N.W./Box	G.W./Box
Hook Mount	16.54 X 16.54 X 8.07 in	1 PC	7.94 lbs	10.36 lbs
Ceiling Mount	16.54 X 16.54 X 8.07 in	1 PC	9.92 lbs	12.35 lbs

Packaging Info for SKU # 154230

Bracket Type	Carton Size	Qty/Box	N.W./Box	G.W./Box
Hook Mount	14.17 X 14.17 X 7.68 in	1 PC	5.30 lbs	7.50 lbs
Ceiling Mount	14.17 X 14.17 X 7.68 in	1 PC	6.40 lbs	7.76 lbs

Tolerance of Carton Size: ± 15 MM, Tolerance of Weight: $\pm 10\%$.



Application

Warehouse, factory and workshops; Highway toll station and gas station; Exhibition Hall; Gymnasium and supermarkets, etc.

