



LED Flat Panel Lights w/ Battery Backup Elite Series



Elite Series

Beyond LED's New 2021 Elite Series Backlit Panels are the most innovative and revolutionary product of 2021. This feature rich product is ultra light for easy one-man installation. This Elite Series model is CCT Adjustable, Wattage Adjustable & it also has built-in Emergency Driver and Junction box for easy and fast installation.

- High efficacy, up to 130 Lm/W
- Wattage Adjustable 29/34/39/49W
- CCT Adjustable 3500/4000/5000K
- 20 Watt Built in Battery Backup
- 90 Minutes of Emergency Time
- 0-10V Dimming capabilities
- Glare free lighting with remarkable light uniformity
- Super slim design with durable construction
- Optional hanging or surface mounting accessories available
- Built-in standard earthquake clips
- DLC Certified and 5 year warranty
- Universal 120-277Vac (50-60Hz)

LED Flat Panel Lights w/ Battery Backup Elite Series

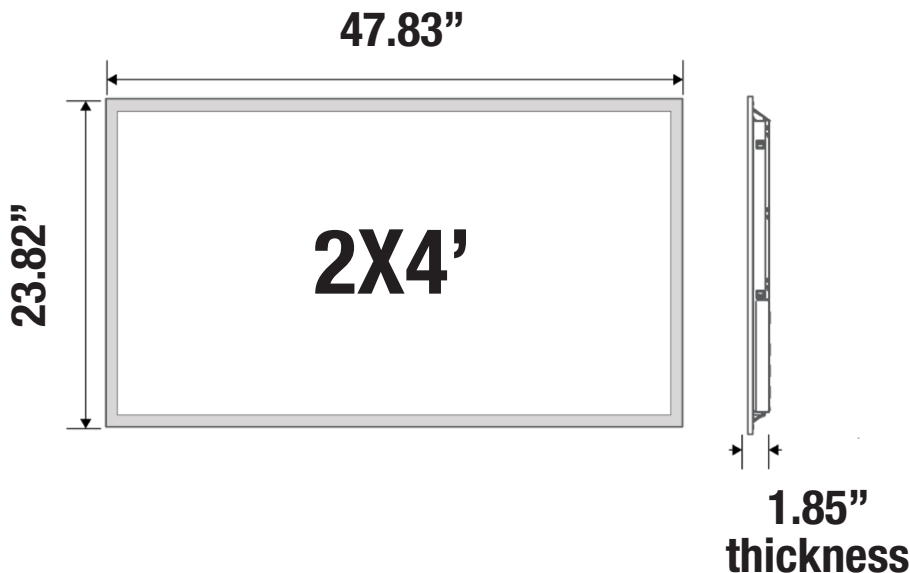
Elite Series

SKU #	Model #	Watts	Lumens	CCT	Length	Input Voltage	Certifications
152530	BLT-BPLED-2x4-29/34/39/49/ D10/U/35-40-50/HL/EM	Wattage Adj. 29/34/39/49W	6450Lm	CCT Adjustable 3500K/4000K/5000K	2X4'	120-277Vac	UL & DLC

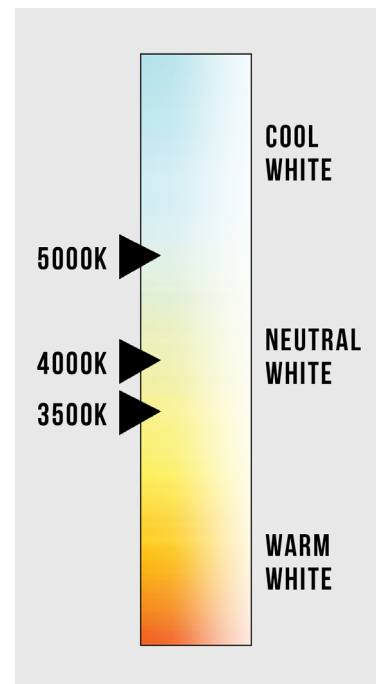
Specifications

Voltage	120-277 AC voltage (50-60Hz)
Dimming	0-10V Dimming capabilities
Operating Temperature Range	-4°F to 104°F
Ceiling Type	Exposed T-bar ceiling
Light Source	Non-replaceable LED
CRI	>80
L70 / L90	>75,000h / >40,000h

Dimensions



CORRELATED COLOR TEMPERATURE (CCT)



LED Flat Panel Lights w/ Battery Backup Elite Series

Distribution Diagram

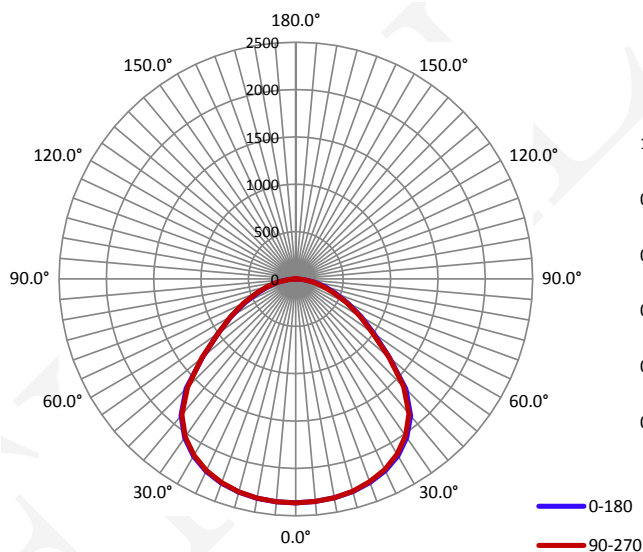
Electrical Measurement

Input Voltage (V)	Frequency (Hz)	Input Current (A)	Power (W)	Power Factor
120.0	60	0.409	48.94	0.998

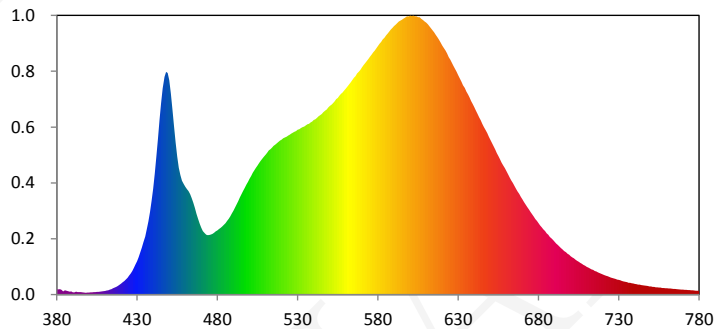
Photometric Measurement

Luminous Flux (lm)	Efficacy (lm/W)	I_{max} (cd)	S/MH (C0/180)	S/MH (C90/270)
6450.5	131.85	2363.6	1.35	1.34

Luminous Intensity Distribution



Relative Spectral Power Distribution



	C0/180	C45/225	C90/270	C135/315	AVG.
Beam Angle (50% I_{max}):	103.7	106.2	103.6	105.8	104.8
Field Angle (10% I_{max}):	156.7	158.5	156.0	158.5	157.4

UGR Value

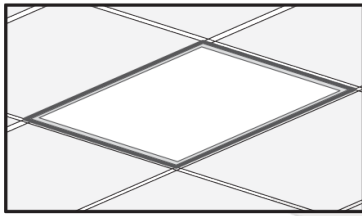
Reflectances:		
Ceiling (cavity)	0.7	
Wall	0.5	
Reference plane	0.2	
Room dimensions	Viewed crosswise	Viewed endwise
X=4H Y=8H	19.1	18.7

LED Flat Panel Lights w/ Battery Backup Elite Series

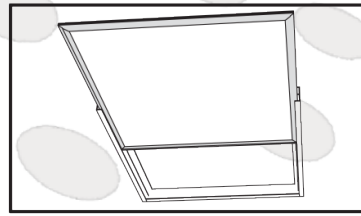
Pre-Installation

Mounting Options

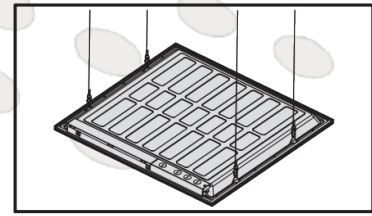
Recessed



Surface
(requires Mounting Kit)



Pendant/Suspension
(requires Mounting Kit)



Mounting Kit Description

Mounting Kit Description

4-Cable Suspension Kit

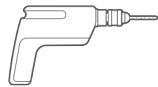
Mounting Kit Description

2x4 Surface

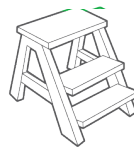
Tools Required



Safety goggles



Drill



Ladder



Electrical tape



Phillips screwdriver



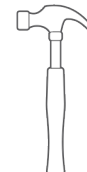
Flathead screwdriver



Wire cutters



Wire strippers



Hammer

Hardware Included



AA - Wire nuts x5

Before You Begin

1. Turn off the electricity at the circuit breaker or fuse box.
2. Choose your installation option:
 - Installation Option 1 - Flush Mount
 - Installation Option 2 - Surface Mount (Sold Separately)
 - Installation Option 3 - Pendant/Suspension Mount (Sold Separately)

(866) 786-1117 • www.BeyondLEDTechnology.com

Due to continuous product improvement, information in this document is subject to change.

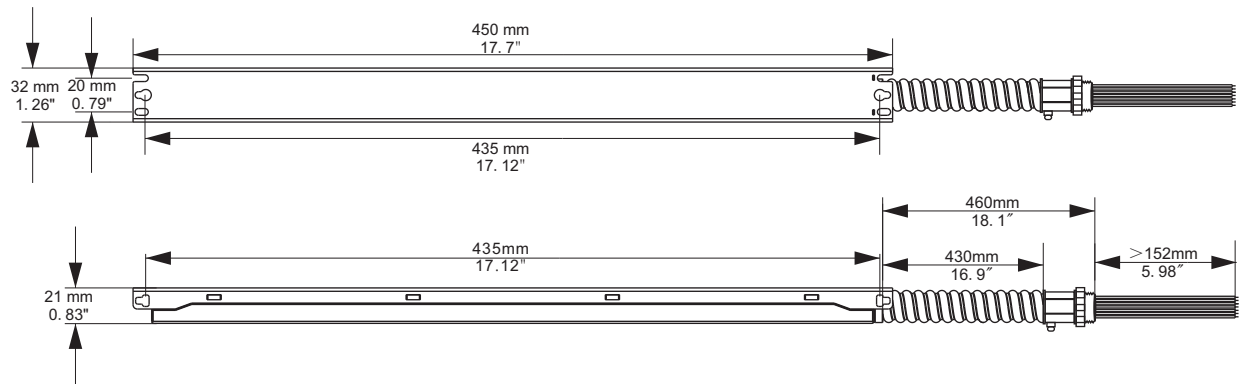
LED Flat Panel Lights w/ Battery Backup Elite Series

SKU# 151530: Built-in Emergency Backup



Dimensions:

17.7"x1.26"x0.83"(450mmx32mmx21mm)



Specifications			
Input Voltage	100-277Vac 50/60Hz	Temperature Rating (Ambient)	0°C to +50°C (32°F to 122°F)
AC Input Current	100mA max.	Output Voltage	25V-48Vdc
AC Input Power	7.0W max.	Charging Current	≤250mA
Full Warranty	5 Years	Charging Time	≥24Hours

Specifications	
	LECP-YT0020-025/048
Emergency time	90 minutes
Output Power	20W
Battery (Li-ion battery)	14.8V/2500mAh

LED Flat Panel Lights w/ Battery Backup Elite Series

SKU# 151530: Built-in Emergency Backup

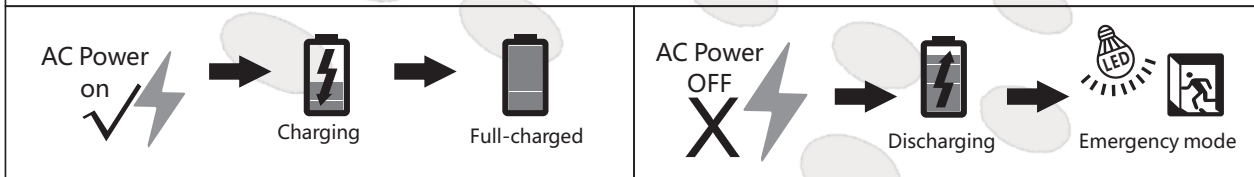
Operation

AC Operation:

AC power is present, The LED load from the LED driver is normal power supply, AC LED driver output current can not exceed 150W or 4A, the emergency driver is charging in a standby mode. The green LED light flashes indicates that it is charging. The green LED light on indicates that it is full charged. After the AC power supply working 48h, The emergency LED drive will automatically from AC power working switch into emergency working mode for 30S every month and then automatically backs to the working mode of the AC power supply, the AC power supply works per year for automatically from the AC power mode backs to the working emergency mode Until the emergency discharge is completed.

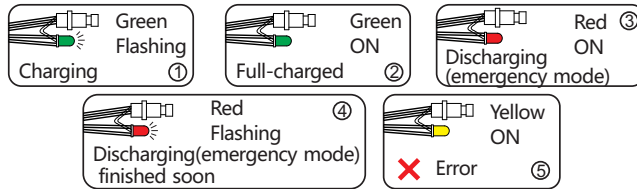
Emergency operation:

When the AC power goes out, The emergency driver detects the AC power outage and automatically switch to the emergency mode.



Indicator light introduction

- ① Green/flashing: Charging
- ② Green/on: Full-charged
- ③ Red/on: Discharging(emergency mode)
- ④ Red/flashing: Discharging(emergency mode) finished soon
- ⑤ Yellow/on: Error



Test switch introduction

Press the test switch to confirm whether the emergency function is normal



IMPORTANT SAFEGUARDS

When using electrical equipment, basic safety precautions should always be followed including the following

READ AND FOLLOW ALL SAFETY INSTRUCTIONS.

- Risk of fire or electric shock. Luminaire wiring and electrical parts may be damaged when drilling for installation of LED Emergency Backup. Check for enclosed wiring and components.
- Risk of fire or electric shock. This LED Emergency Backup installation requires knowledge of luminaire, electrical systems. If not qualified, do not attempt installation. Contact a qualified electrician.
- Before installing, make certain the AC power to the fixture is off.
- The electrical rating of this product is 100-277Vac. Installer must confirm that there is 100-277Vac to the fixture before installation.
- To prevent electrical shock only mate unit connector after installation is complete and before the AC power to the fixture is back on.
- This LED Emergency Backup unit requires an un-switched AC power source of 100-277Vac, 50/60Hz. The AC driver must be on the same branch circuit as the LED Emergency Backup unit.
- Do not let power supply cords touch hot surfaces.
- Do not mount near gas or electric heaters.
- Do not use outdoors.
- Do not connect battery pack connector until all other wiring is complete and AC power is on.
- The emergency LED driver is for use with grounded, UL listed LED luminaires, shall be enclosed by the LED luminaire and bonded to the grounding of LED luminaire.
- Verify that all replacement lamp types marked on the installed luminaire are also identified as suitable for use with this emergency battery pack.
- The battery pack is fixed by the screw and the indicator lamp is attached to the shell of the lamina by 3M tape.
- Equipment should be mounted in locations and at heights where it is not be subjected to tampering by unauthorized personnel.
- The use of accessory equipment not recommended by the manufacturer and may cause an unsafe condition.
- Do not use this equipment for other than its intended use.
- Use with grounded, UL Listed, dry or damp location rated fixtures.



(866) 786-1117 • www.BeyondLEDTechnology.com

Due to continuous product improvement, information in this document is subject to change.

LED Flat Panel Lights w/ Battery Backup Elite Series

Installation Options

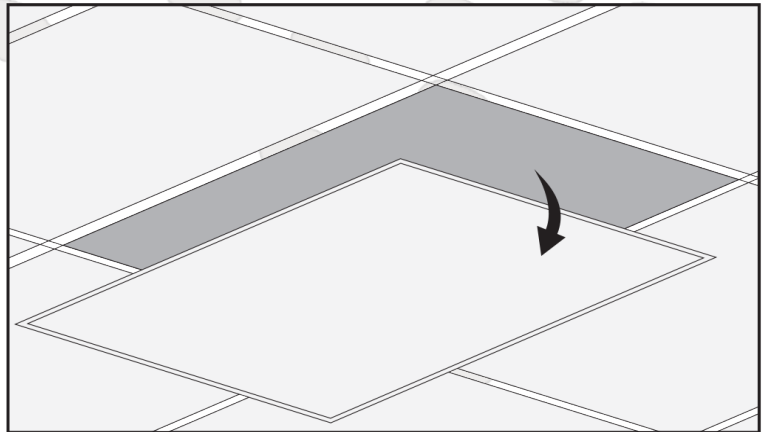
FLUSH MOUNT INSTALLATION



WARNING: Before you begin, turn the power off at the circuit breaker or fuse box to avoid electric shock.

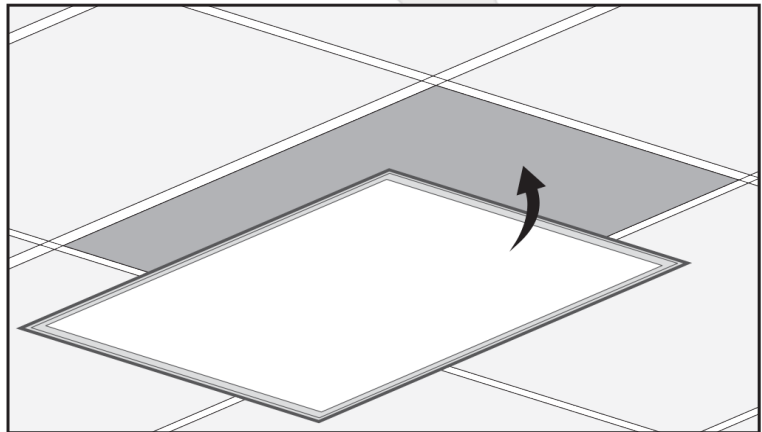
1 Removing the ceiling panel

- a. Remove the plasterboard panel from the ceiling.



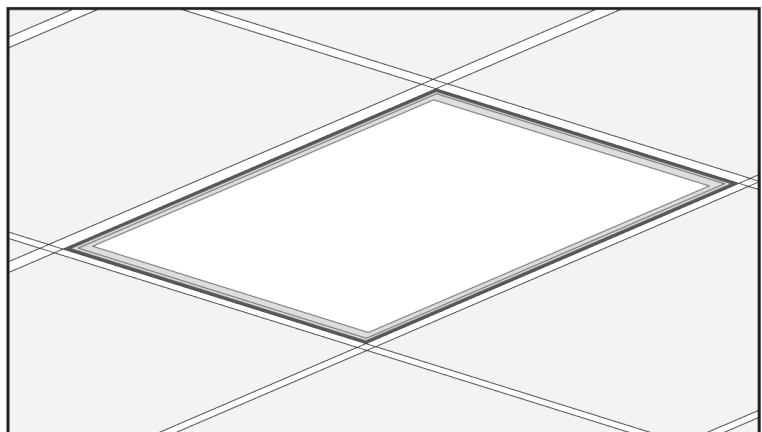
2 Connecting the wires

- a. Lift the fixture to the ceiling.
- b. Follow the steps in the **Making the Electrical Connections** section of this manual.



3 Completing the installation

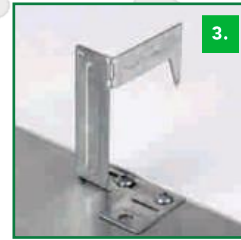
- a. Slide the fixture into place in the ceiling.
- b. Restore power to the fixture.



LED Flat Panel Lights w/ Battery Backup Elite Series

Mounting & Accessory Kits

RECESSED INSTALLATION



1. Pull up the earth quake hook until it is perpendicular to the panel backing.(See picture 1)
2. Bend the hook arm until it is perpendicular to the hook body. (See picture 2)
3. Hook the panel to the T-Bar until it is full supported.(See picture 3)



Earthquake hook

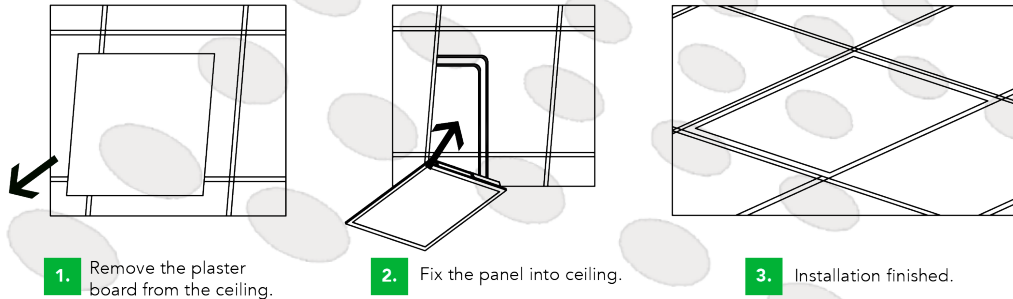


LED Flat Panel Lights w/ Battery Backup Elite Series

Mounting & Accessory Kits

T-BAR MOUNTING

Available for 2x4 versions only



1. Remove the plaster board from the ceiling.

2. Fix the panel into ceiling.

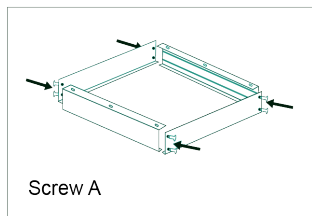
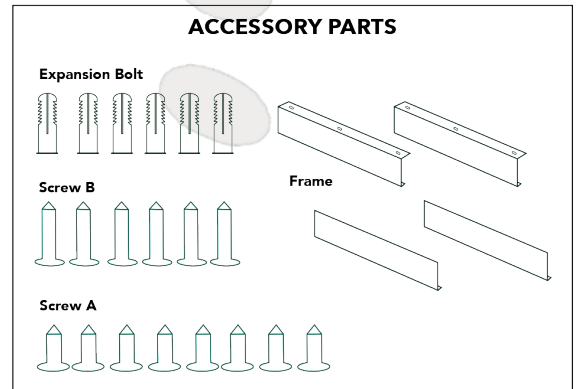
3. Installation finished.

* T-bar mounting clips included
* Full installation instructions included

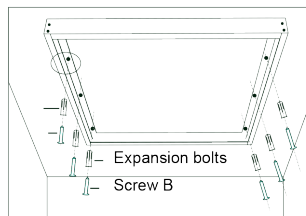
SURFACE MOUNTING KIT (OPTIONAL)

Available for 2x4 versions only

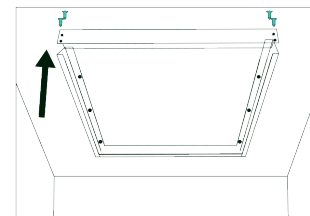
Accessory Parts List	Quantity	Size	Material
Screw A (KS 1X10)	8	0.04 inches diameter, 0.40 inches length	Zinc Coated Iron
Screw B (KA 4X25)	6	0.16 inches diameter, 0.98 inches length	Zinc Coated Iron
Expansion Bolt	6	0.24 inches diameter, 1.18 inches length	PVC
Frame	4	24.17 inches length, 2.44 inches height	Aluminum



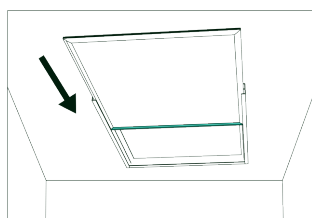
1. Assemble the four sides with 2 X screw A each to create the frame.



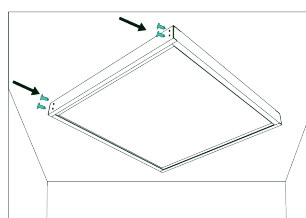
2. Fix the frame to the ceiling with screw B and expansion bolts.



3. Once securely mounted to the ceiling disassemble one end (without mounting screws to the ceiling).



4. Insert the panel into the frame square.



5. Reassemble the remaining end with screw A.

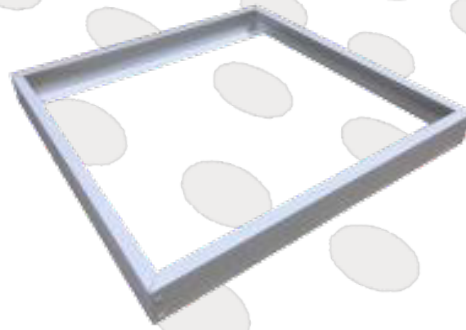
LED Flat Panel Lights w/ Battery Backup Elite Series

Mounting Kits

Optional Accessories



**Hanging Wire
Suspension Mounting Kit**



**SKU# 151729:
2X4 Surface Mounting Kit**



LED Flat Panel Lights w/ Battery Backup Elite Series

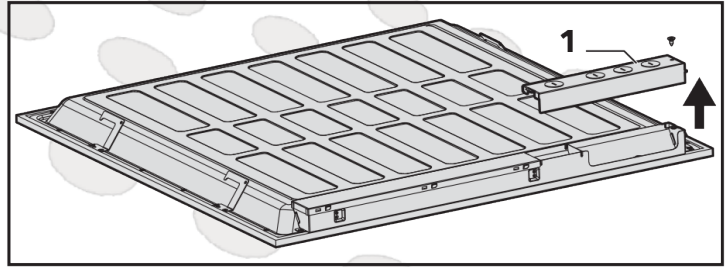
Making the Electrical Connections



WARNING: Before you begin, turn the power off at the circuit breaker or fuse box to avoid electric shock.

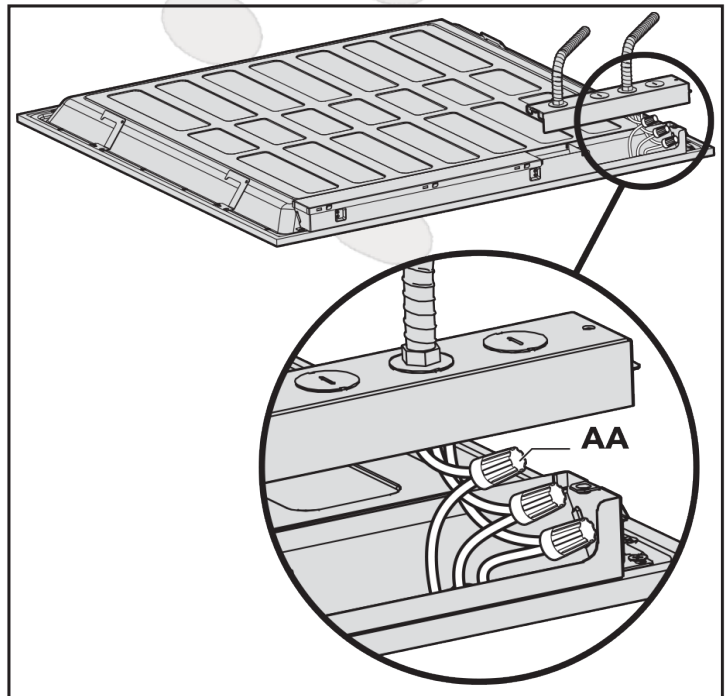
1 Open the junction box

- Unscrew and remove the junction box cover (1) from the fixture.



2 Connect the supply wires

- Connect the green ground wire from the fixture to the supply ground wire.
- Connect the white wire from the fixture to the supply white wire (neutral wire).
- Connect the black wire from the fixture to the supply black wire (live wire).
- Secure the three connections using three wire nuts (AA).
- Wrap the three wire connections with electrical tape for a more secure connection.

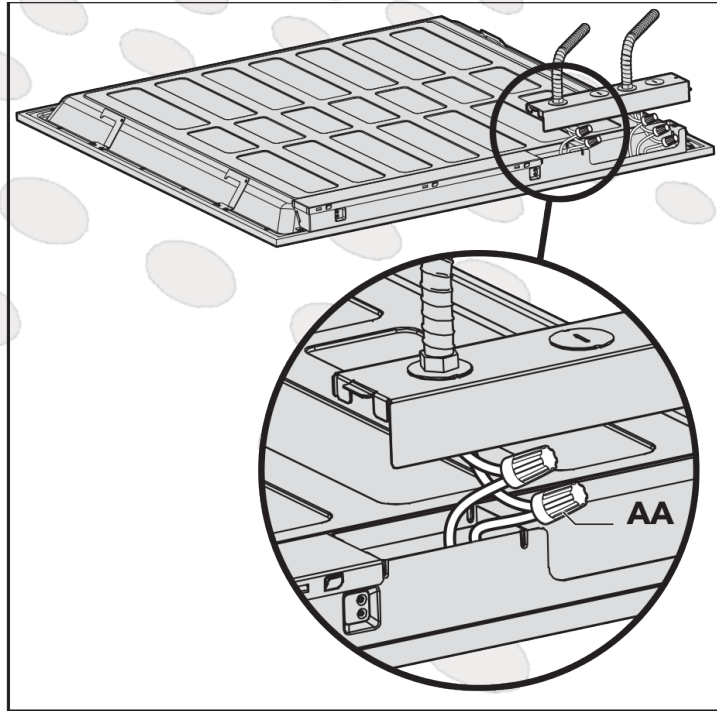


LED Flat Panel Lights w/ Battery Backup Elite Series

Making the Electrical Connections (continued)

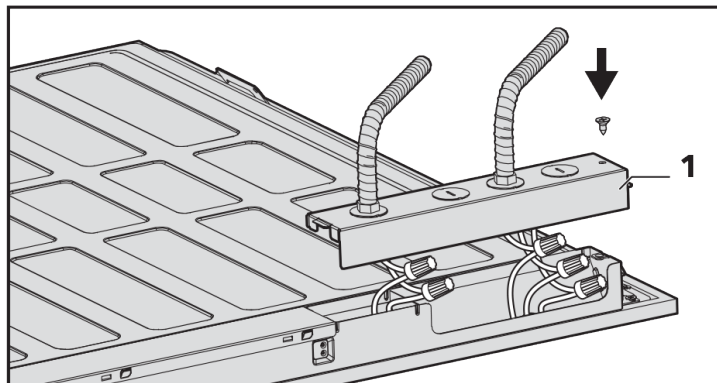
3 Connect the dimming wires

- Connect the purple wire from the fixture to the purple (DIM+) supply wire.
- Connect the gray wire from the fixture to the gray (DIM-) supply wire.
- Secure the two connections using two wire nuts (AA).
- Wrap the two wire connections with electrical tape for a more secure connection.



4 Reinstall the junction box cover

- Position the wires back inside the junction box.
- Reinstall the junction box cover (1).



LED Flat Panel Lights w/ Battery Backup Elite Series

Safety Information



IMPORTANT: THIS PRODUCT MUST BE INSTALLED IN ACCORDANCE WITH THE APPLICABLE NATIONAL ELECTRICAL CODE AND LOCAL BUILDING CODES BY A PERSON FAMILIAR WITH THE CONSTRUCTION AND OPERATION OF THE PRODUCT AND THE HAZARDS INVOLVED.

SAVE THESE INSTRUCTIONS.



WARNING: Before installation or servicing, turn the power OFF at the circuit breaker or fuse. Place tape over the circuit breaker switch and verify power is OFF at the light fixture.



WARNING: Ground the fixture to avoid potential electric shock.



WARNING: Wear gloves when handling the fixture as edges are sharp.



CAUTION: Connect the fixture to a 120/277 Volt, 60 Hz power source. Any other connection voids the warranty.

NOTICE: FCC Regulations state that any unauthorized changes or modifications to this equipment not expressly approved by the manufacturer could void the user's authorization to operate this equipment.



IMPORTANT: The device is tested and found to comply with Part 15 of the FCC Rules. Operation is subject to two conditions: (1) This device may not cause harmful interference and, (2) this device must accept any interference received, including any interference that may cause undesired operation.

This equipment has been tested and found to comply with the limits for a Class A digital device, pursuant to Part 15 of the FCC rules. These limits are designed to provide reasonable protection against harmful interference when the equipment is operated in a commercial environment.

The equipment generates, uses, and can radiate radio frequency energy and, if not installed and used in accordance with the instruction manual, may cause harmful interference to radio communications. However, there is no guarantee that interference will not occur in a particular installation. If this equipment does cause harmful interference to radio or television reception, which can be determined by turning the equipment off and on, the user is encouraged to try to correct the interference by one or more of the following measures:

- Reorient or relocate the receiving antenna.
- Increase the separation between the equipment and receiver.
- Connect the equipment into an outlet on a circuit different from that to which the receiver is connected.
- Consult the dealer or an experienced radio/TV technician for help.

LED Flat Panel Lights w/ Battery Backup Elite Series

Packing

SKU #	Size	Pcs/Box	Dimensions	Weight	Pallet Quantity	Pallet Weight	Pallet Dimensions
152530	2X4	1	49"X26"X4"	16 Lbs.	n/a	n/a	n/a



LED FLAT PANELS