

IP Ultima

Premium USB desktop controllers •
non-contacting Hall effect technology



DISTINCTIVE FEATURES

- Three axis for PTZ control
- 10 LED pushbutton switches
- Soft touch coating
- USB 2.0 HID compliant “game controller”



ENVIRONMENTAL SPECIFICATIONS

- Operating Temperature: -25 °C to +85 °C (-13 °F to +185 °F)
- Storage Temperature: -25 °C to +85 °C (-13 °F to +185 °F)
- Sealing: None
- EMC Immunity Level: CE compliant, EMC directive 2004/108/EC, FCC Part 15 Subpart B, Class B
- EMC Immunity Level: CE compliant, EMC directive 2004/108/EC, FCC Part 15 Subpart B, Class B



MECHANICAL SPECIFICATIONS

- Operating Force: 2.8 N (0.63 lbf)
- Maximum Vertical Load: 200 N (45 lbf)
- Maximum Horizontal Load: 200 N (45 lbf)
- Mechanical Angle of Movement: 36° X & Y axis, 60° Z axis
- Expected Mechanical Life: 3 million lifecycles
- Mass/weight: 455 g (16 oz)
- Lever Action (centering): Single spring, omni-directional



MATERIALS

- Body: ABS
- Shaft: Stainless steell
- Boot: Neoprene
- Handle: Glass filled nylon

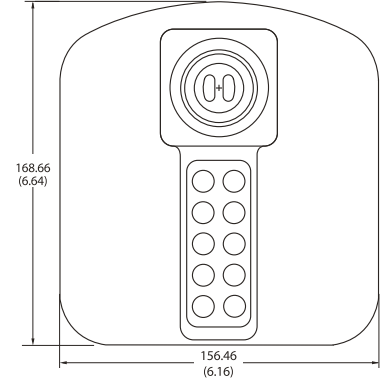
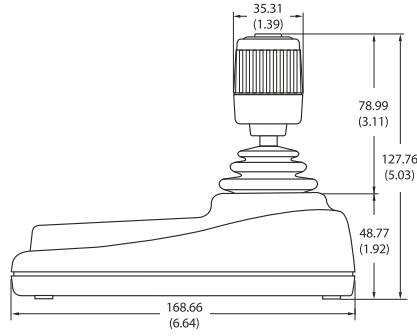
The company reserves the right to change specifications without notice.



IP Ultima

Premium USB desktop controllers •
non-contacting Hall effect technology

DIMENSIONS



NOTES:

Dimensions are in mm/(inch).

To order the IP Ultima please refer to Part Number 100-650