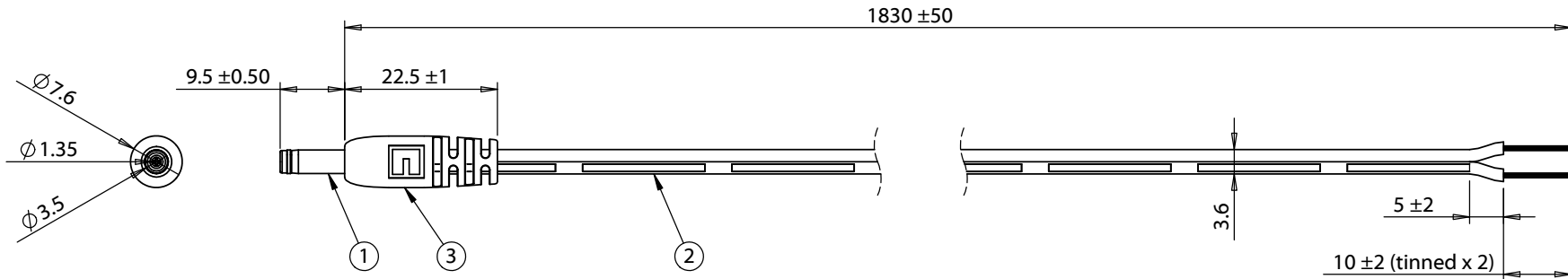


ITEM NO.	PART NUMBER	DESCRIPTION	QTY.	NOTES
1	50-00056	Connector, dc plug, 3.5x1.35xL20mm, molding style, spring contacts, black insulator	1	
2	30-00003	Wire, 2C BC, 24 AWG, UL2468, 300V, 80C, 3.6 mm, VW-1, PVC, 76A	1	
3	24-00002	Overmold, PVC, black	1	



Wiring diagram	
50-00056	Wire Color
Center	Black with stripe
Sleeve	Black

REVISION	DATE	DESCRIPTION	PREPARED:	NOTES	<h1>TENSILITY</h1> <p>20802 Sockeye Place #130 Bend, OR 97701 USA tel 541.323.3228 fax 541.323.4202 800 877.670.7118 www.tensility.com</p>		
A	6/28/2012	Initial release	GL <small>2016.01.06 14:53:29 -08'00'</small>	RoHS compliant Function test: no open, no reversed polarity, no short circuit, no INT 4 A, 12 Vdc Functionally equivalent components may be used			
			AG <small>2016.01.19 11:13:19 -08'00'</small>	DESCRIPTION: Cable, 1830 mm, 3.5x1.35x9.5 mm 50-00056 dc plug to stripped tinned, 24 AWG, 30-00003 wire	SIZE A	PART NUMBER 10-01070	
			DIMENSIONS ARE IN MILLIMETERS TOLERANCES: X: ± 0.5 mm X.X: ± 0.3 mm X.XX: ± 0.05 mm		SCALE: 1:1	WEIGHT:	SHEET 1 OF 1