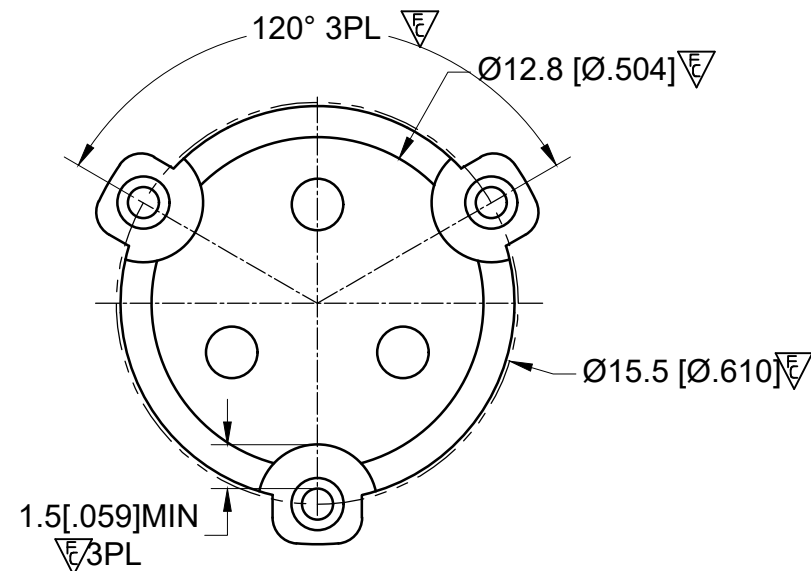
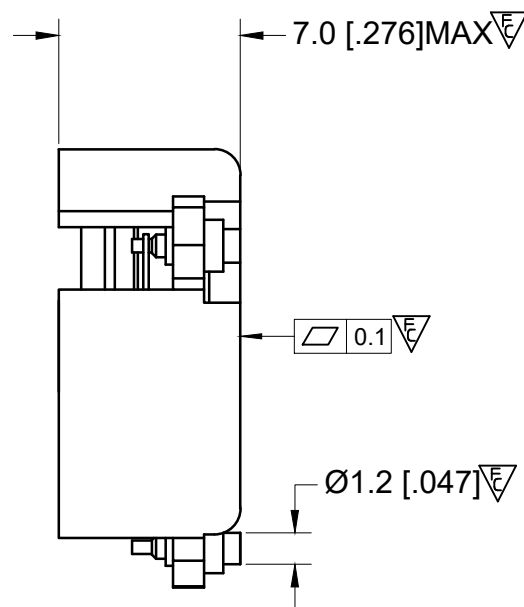
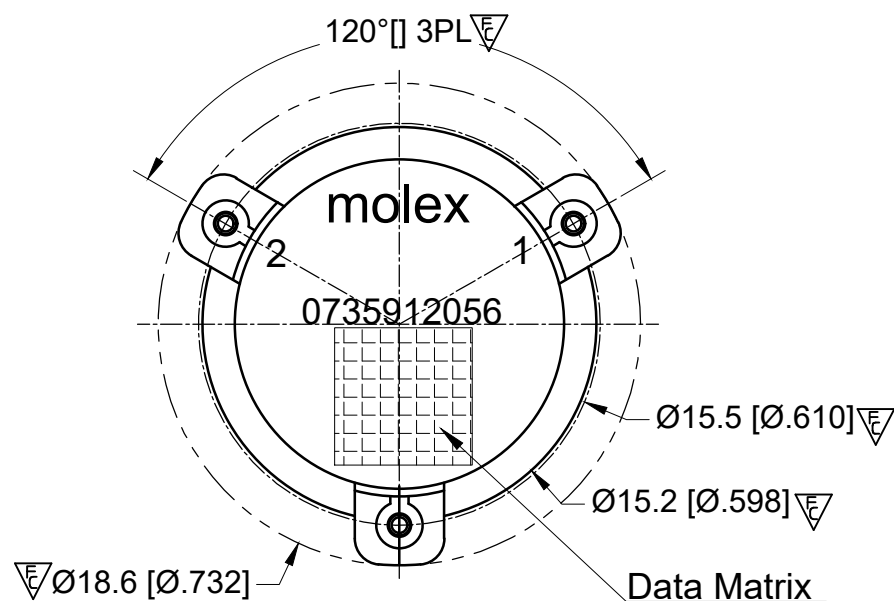
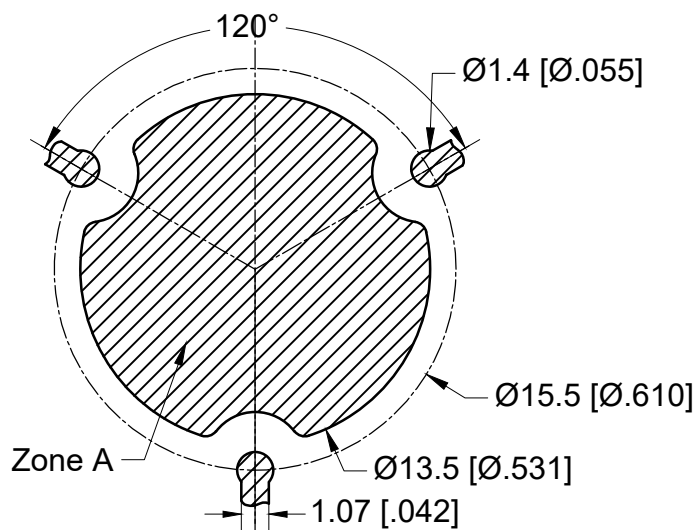
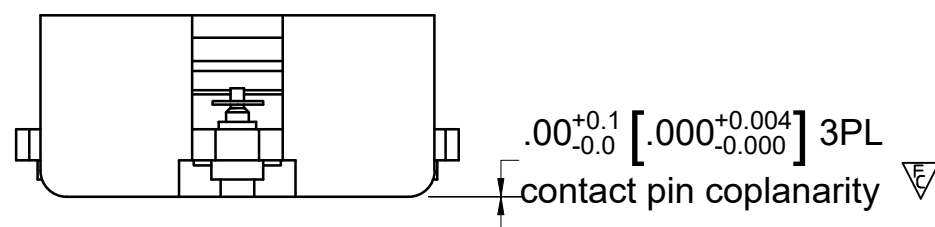


RECOMMENDED LAND PATTERN :

Zone A must be attached to heat sink. Thermal conductivity of intermediate layers between Zone A and heat sink must be better than 0.1 W / [°C x mm].



PCB Material :Rogers RO4350B,0.508mm thickness
trace width 1.07mm wide.



ELECTRICAL SPECIFICATIONS :

- Frequency Range : 3700~3980 MHz
- Insertion Loss : 0.25 dB Max
- Isolation : 20 dB Min
- Return Loss : 20 dB Min
- Average forward power : 65W
- Peak forward power : 470W
- Attenuation(2*TX) : 10dB min
- (3*TX) : 5dB min
- (4*TX and 5*TX:) : 10dB min
- FMD IMD3(2 x 25 W, 1 MHz space) : -60 dBc Max
- Operating Temperature : -40°C to +105°C
- Storage Temperature : -55°C to +125°C
- Direction : CCW

MATERIAL :

- BODY : STEEL, SILVER PLATED
- PIN : COPPER , SILVER PLATED

NOTES :

- 1.STANDARD INPUT/OUTPUT IMPEDANCE 50 Ohm
- 2.LEAD FREE, NO Nd MATERIAL, BeO FREE
- 3.THE DIMENSION OF DATA MATRIX IS 5.3X5.3MM INFORMATION INCLUDING WORK ORDER NUMBER-SERIAL NUMBER-MATERIAL NUMBER
- 4.THIS PART COMPLIES WITH ALL RoHS REQUIREMENTS

ENG PART#: 812-370-398-WP040

FUNCTIONAL SYMBOLS	THIS DRAWING CONTAINS INFORMATION THAT IS PROPRIETARY TO MOLEX ELECTRONIC TECHNOLOGIES, LLC AND SHOULD NOT BE USED WITHOUT WRITTEN PERMISSION			CURRENT REV DESC: ----			molex		
	DIMENSION UNITS	SCALE							
▽FA=0	MM	1:1		EC NO: 696580			SMSJ CIRCULATOR/3700~3980MHZ/CCW		
▽E=0	GENERAL TOLERANCES (UNLESS SPECIFIED)			DRWN: SREN05 2022/02/21					
▽FP=0		mm	INCH	CHK'D: JLI252 2022/02/23			RESTRICTED PRODUCT CUSTOMER DRAWING		
	4 PLACES	±0.25	±----	APPR: HWANG186 2022/03/01					
DIVISIONAL SYMBOLS	3 PLACES	±0.05	±----	INITIAL REVISION:			DOCUMENT NUMBER		
	2 PLACES	±0.13	±----	DRWN: SREN05 2021/11/12			735912056		
	1 PLACE	±0.25	±----	APPR: HWANG186 2022/03/01			PSD 000 A		
	0 PLACES	±0.4	±----	ANGULAR TOL ± 1.5 °			SHEET NUMBER		
	DRAFT WHERE APPLICABLE MUST REMAIN WITHIN DIMENSIONS			THIRD ANGLE PROJECTION	DRAWING	SERIES	MATERIAL NUMBER	CUSTOMER	
					A3-SIZE	73591	0735912056	CUSTOM PART	1 OF 1