

# W7500 Datasheet Manual

Version 1.0.2



<http://www.wiznet.co.kr>

---

# Table of Contents

<b>1</b>	<b>Documentation conventions</b>	<b>11</b>
1.1	Glossary	11
1.2	Register Bit Conventions	13
<b>2</b>	<b>System and memory overview</b>	<b>14</b>
2.1	System architecture	14
2.2	Memory organization	15
2.2.1	Introduction	15
2.2.2	Memory map	16
<b>3</b>	<b>System configuration controller (SYSCFG)</b>	<b>17</b>
3.1	Introduction	17
<b>4</b>	<b>Interrupt and events</b>	<b>17</b>
4.1	Introduction	17
4.2	Interrupt assignments	17
4.3	Event	18
<b>5</b>	<b>Power supply</b>	<b>18</b>
5.1	Introduction	18
5.2	Voltage regulator	18
5.3	Power supply supervisor	19
5.4	Low-power modes	19
5.4.1	Sleep mode	19
5.4.2	Peripheral clock gating	20
<b>6</b>	<b>System tick timer</b>	<b>20</b>
6.1	Introduction	20
6.2	Features	20
6.3	Functional description	20
<b>7</b>	<b>TCIPCore Offload Engine (TOE)</b>	<b>21</b>
7.1	Introduction	21
7.2	Features	21
7.3	Functional description	22
7.4	TOE Memory map	22
7.4.1	Common register map	24
7.4.2	Socket register map	24
7.4.3	Memory	25
<b>8</b>	<b>Bootling Sequence</b>	<b>27</b>
<b>9</b>	<b>Embedded Flash memory</b>	<b>28</b>
9.1	Flash main features	28
9.2	Flash memory functional description	28

---

9.2.1	Flash memory organization .....	28
9.2.2	Read operations.....	30
9.2.3	Flash erase operations.....	31
9.2.4	Flash program operation .....	33
9.3	Memory protection.....	34
9.3.1	Read protection.....	34
9.3.2	Write protection .....	34
<b>10</b>	<b>Clock Reset generator (CRG).....</b>	<b>35</b>
10.1	Introduction .....	35
10.2	Features .....	35
10.2.1	Reset.....	35
10.2.2	Clock.....	35
10.3	Functional description .....	36
10.3.1	External Oscillator Clock.....	36
10.3.2	RC oscillator clock.....	37
10.3.3	PLL .....	37
10.3.4	Generated clock .....	37
<b>11</b>	<b>Random number generator (RNG) .....</b>	<b>38</b>
11.1	Introduction .....	38
11.2	Features .....	38
11.3	Functional description .....	38
11.3.1	Operation RNG .....	39
<b>12</b>	<b>Alternate Function Controller (AFC).....</b>	<b>40</b>
12.1	Introduction .....	40
12.2	Features .....	40
12.3	Functional description .....	40
<b>13</b>	<b>External Interrupt (EXTI) .....</b>	<b>42</b>
13.1	Introduction .....	42
13.2	Features .....	42
13.3	Functional description .....	42
<b>14</b>	<b>Pad Controller (PADCON) .....</b>	<b>44</b>
14.1	Introduction .....	44
14.2	Features .....	44
14.3	Functional description .....	44
<b>15</b>	<b>General-purpose I/Os(GPIO).....</b>	<b>45</b>
15.1	Introduction .....	45
15.2	Features .....	45
15.3	Functional description .....	46
15.3.1	Masked access.....	47

---

---

<b>16 Direct memory access controller (DMA)</b> .....	<b>49</b>
16.1 Introduction .....	49
16.2 Features .....	49
16.3 Functional description .....	49
16.3.1 DMA request mapping.....	50
16.3.2 DMA arbitration .....	50
16.3.3 DMA cycle types.....	50
<b>17 Analog-to-digital converter (ADC)</b> .....	<b>54</b>
17.1 Introduction .....	54
17.2 Features .....	54
17.3 Functional description .....	55
17.3.1 Operation ADC with non-interrupt.....	55
17.3.2 Operation ADC with interrupt .....	57
<b>18 Pulse-Width Modulation (PWM)</b> .....	<b>58</b>
18.1 Introduction .....	58
18.2 Features .....	58
18.3 Functional description .....	59
18.3.1 Timer/Counter control .....	59
18.3.2 Timer/Counter .....	59
18.3.3 PWM mode .....	63
18.3.4 Interrupt .....	64
18.3.5 Dead zone generation .....	64
18.3.6 Capture event.....	66
18.3.7 How to set the PWM .....	67
<b>19 Dual timers</b> .....	<b>68</b>
19.1 Introduction .....	68
19.2 Features .....	68
19.3 Functional description .....	69
19.3.1 Clock and clock enable .....	69
19.3.2 Timer size .....	69
19.3.3 Prescaler .....	69
19.3.4 Repetition mode .....	69
19.3.5 Interrupt .....	70
19.3.6 Operation .....	70
19.3.7 How to set the dual timers .....	71
<b>20 Watchdog timer</b> .....	<b>72</b>
20.1 Introduction .....	72
20.2 Features .....	72
20.3 Functional description .....	72

---

---

20.3.1	Clock.....	72
20.3.2	Interrupt and reset request.....	72
<b>21</b>	<b>Inter-integrated circuit interface (I2C).....</b>	<b>73</b>
21.1	Introduction.....	73
21.2	Features .....	73
21.3	Functional description .....	73
21.3.1	Data validity.....	74
21.3.2	Acknowledge .....	75
21.3.3	Bit Command Controller.....	75
21.3.4	Slave address.....	76
21.3.5	Read/Write bit .....	77
21.3.6	Acknowledge(ACK) and Not Acknowledge(NACK) .....	77
21.3.7	Data transfer .....	77
21.3.8	Operating Modes.....	77
21.3.9	Interrupts .....	78
21.3.10	Master mode.....	79
21.3.11	Slave mode .....	82
<b>22</b>	<b>Universal Asynchronous Receive Transmit(UART).....</b>	<b>83</b>
22.1	Introduction.....	83
22.2	Features .....	83
22.3	Functional description .....	83
22.3.1	Baud rate calculation.....	85
22.3.2	Data transmission.....	86
22.3.3	Data receive.....	86
22.3.4	Hardware flow control.....	87
<b>23</b>	<b>Synchronous Serial Port (SSP) .....</b>	<b>89</b>
23.1	Introduction.....	89
23.2	Features .....	89
23.3	Functional description .....	90
23.3.1	Clock prescaler .....	90
23.3.2	Transmit FIFO .....	90
23.3.3	Receive FIFO.....	91
23.3.4	Interrupt generation logic .....	91
23.3.5	DMA interface .....	91
23.3.6	Interface reset .....	93
23.3.7	Configuring the SSP .....	93
23.3.8	Enable PrimeCell SSP operation.....	94
23.3.9	Clock ratios .....	94
23.3.10	Programming the SSPCR0 Control Register.....	95

---

23.3.11	Programming the SSPCR1 Control Register .....	95
23.3.12	Frame format .....	96
23.3.13	Texas Instruments synchronous serial frame format .....	97
23.3.14	Motorola SPI frame format.....	98
23.3.15	National Semiconductor Microwire frame format .....	104
23.3.16	Master and Slave configurations .....	106
23.3.17	SSP Flow chart .....	107
<b>24</b>	<b>Electrical Characteristics .....</b>	<b>109</b>
24.1	Absolute maximum ratings .....	109
24.1.1	Voltage Characteristics .....	109
24.1.2	Current Characteristics.....	109
24.1.3	Thermal Characteristics .....	109
24.2	Operating conditions .....	110
24.2.1	General Operating Conditions.....	110
24.2.2	Supply Current Characteristics.....	110
24.3	I/O PAD Characteristics .....	111
24.3.1	DC Specification .....	111
24.4	Flash memory .....	111
24.5	Electrical Sensitivity Characteristics .....	111
24.5.1	Electrostatic discharge (ESD).....	111
24.5.2	Static latch-up .....	111
24.6	ADC Characteristics.....	112
24.6.1	ADC Electrical characteristics.....	112
24.6.2	ADC Transform function description .....	113
24.7	I2C interface Characteristics.....	113
24.8	SSP Interface Characteristics .....	114
<b>25</b>	<b>Package Characteristics .....</b>	<b>115</b>
25.1	Package dimension information .....	115
	<b>Document History Information.....</b>	<b>116</b>

---

## List of table

Table 1 W7500 interrupt assignments .....	17
Table 2 W7500 sleep mode summary .....	20
Table 3. Offset Address for Common Register .....	24
Table 4. Offset Address in Socket n Register Block (n = 0,...,7, where n is Socket number) .....	25
Table 5 operation of mode selection .....	27
Table 6 description of Flash memory .....	28
Table 7 External oscillator clock sources .....	36
Table 8 functional description table .....	40
Table 9 Summary of the DMA requests for each channel .....	50
Table 10 DMA trigger points for the transmit and receive FIFOs. ....	92
Table 11 Voltage characteristics .....	109
Table 12 Current characteristics .....	109
Table 13 Thermal Characteristics .....	109
Table 14 General operating conditions .....	110
Table 15 Normal operation supply current .....	110
Table 16 Sleep mode supply current .....	110
Table 17 Deep sleep mode supply current .....	110
Table 18 DC specification of PAD .....	111
Table 19 Flash memory Reliability Characteristics.....	111
Table 20 Electrostatic discharge (ESD) .....	111
Table 21 Static latch-up .....	111
Table 22 ADC electrical characteristics .....	112
Table 23 I2C characteristics.....	113
Table 24 SSP characteristics .....	114

## List of figures

Figure 1 W7500 System Architecture .....	14
Figure 2 W7500 memory map.....	16
Figure 3 POR reset waveform.....	19
Figure 4 TOE block diagram .....	22
Figure 5. Register & Memory Organization .....	23
Figure 6. operation of boot code .....	27
Figure 7. Flash reading sequence .....	31
Figure 8. Flash erase operations .....	32
Figure 9. main Flash memory programming sequence .....	33
Figure 10 CRG block diagram .....	36
Figure 11. Random Number Generator block diagram .....	38
Figure 12. Flow chart of RNG operation .....	39
Figure 13. External Interrupt diagram .....	43
Figure 14. function schematic of digital I/O pad .....	44
Figure 15. function schematic of digital/analog mux IO pad .....	44
Figure 16. GPIO block diagram .....	46
Figure 17. GPIO Flow chart .....	47
Figure 18. MASK LOWBYTE access .....	48
Figure 19 MASK HIGHBYTE access.....	48
Figure 20. DMA Block diagram .....	49
Figure 21. DMA ping pong cycle .....	53
Figure 22. ADC block diagram .....	55
Figure 23. The ADC operation flowchart with non-interrupt.....	56
Figure 24. The ADC operation flowchart with interrupt .....	57
Figure 25. PWM block diagram .....	58
Figure 26. Periodic mode.....	59
Figure 27. one-shot mode .....	60
Figure 28. Up-count mode .....	60
Figure 29. Down-count mode .....	60
Figure 30 Counter mode with rising edge .....	61
Figure 31 Counter mode with falling edge .....	61
Figure 32 Counter mode with rising and falling edge .....	61
Figure 33 Timer/Counter timing diagram with match interrupt .....	62
Figure 34 Timer/Counter timing diagram with overflow interrupt .....	62
Figure 35 The PWM output up to match register.....	63
Figure 36 The PWM output up to limit register.....	64
Figure 37 PWM waveform with dead zone time .....	65



---

Figure 38 PWM waveform with dead zone counter .....	65
Figure 39 Capture event with no interrupt clear .....	66
Figure 40 Capture event with interrupt clear .....	66
Figure 41. The PWM setting flow .....	67
Figure 42 Block diagram of Dualtimer .....	68
Figure 43 The Dual timer setting flow .....	71
Figure 44. Watchdog timer operation flow diagram.....	73
Figure 45. I2C Bus Configuration.....	74
Figure 46. I2C block diagram .....	74
Figure 47. Data Validity.....	75
Figure 48. Bit Conditions .....	75
Figure 49. START and STOP Conditions.....	76
Figure 50. RESTART Condition .....	76
Figure 51. 7-bit Slave address .....	76
Figure 52. Complete Data Transfer with a 7-bit slave address .....	77
Figure 53. I2C initial setting .....	79
Figure 54. Master TRANSMIT with ADDR10=0 in the I2Cx_CTR .....	80
Figure 55. Master Transmit with Repeated START.....	81
Figure 56. Slave Command Sequence .....	82
Figure 57 UART0,1 Block diagram.....	84
Figure 58 UART character frame .....	84
Figure 59 UART divider flow chart .....	85
Figure 60 UART Initial setting flow chart.....	85
Figure 61 Transmit and Receive data flow chart .....	86
Figure 62 Hardware flow control description.....	87
Figure 63 CTS Functional Timing .....	87
Figure 64 Algorithm for setting CTS/RTS flowchart.....	88
Figure 65. SSP block diagram .....	90
Figure 66. DMA transfer waveforms .....	93
Figure 67. Texas Instruments synchronous serial frame format, single transfer .....	97
Figure 68. Texas Instruments synchronous serial frame format, continuous transfers	98
Figure 69. Motorola SPI frame format, single transfer, with SPO=0 and SPH=0 .....	99
Figure 70. Motorola SPI frame format, continuous transfers, with SPO=0 and SPH=0	99
Figure 71. Motorola SPI frame format, single and continuous transfers, with SPO=0 and SPH=1 .....	100
Figure 72. Motorola SPI frame format, single transfer, with SPO=1 and SPH=0 .....	101
Figure 73. Motorola SPI frame format, continuous transfers, with SPO=1 and SPH=0 .....	102

Figure 74. Motorola SPI frame format, single and continuous transfers, with SPO=1 and SPH=1 .....	103
Figure 75. National Semiconductor Microwire frame format, single transfer .....	104
Figure 76. National Semiconductor Microwire frame format, continuous transfers .	106
Figure 77. PrimeCell SSP master coupled to an SPI slave.....	106
Figure 78. SPI master coupled to a PrimeCell SSP slave .....	107
Figure 79. how to setting TI or Microwire mode flow chart.....	107
Figure 80. how to setting SPI mode flow chart.....	108
Figure 81. ADC transform function .....	113
Figure 82. I2C bus AC waveform .....	114
Figure 83. Package Dimension Information .....	115

# 1 Documentation conventions

## 1.1 Glossary

ARP	Address Resolution Protocol
AHB	Advanced High-performance Bus
AMBA	Advanced Microcontroller Bus Architecture
APB	Advanced Peripheral Bus
AFC	Alternate Function Controller
ADC	Analog-to-Digital Converter
BOD	BrownOut Detection
CPU	Central Processing Unit
CRG	Clock Reset generator
DMA	Direct Memory Access
EOP	End Of Packet
EXTINT	External Interrupt
GPIO	General Purpose Input/Output
IrDA	Infrared Data Association
I/O	Input/Output
ICMP	Internet Control Message Protocol
IGMP	Internet Group Management Protocol
IPv4	Internet Protocol version 4
IRQ	interrupt request
NMI	NonMaskable Interrupt
PADCON	Pad Controller
PLL	Phase-Locked Loop
PHY	Physical Layer
PPPoE	Point-to-Point Protocol over Ethernet
POR	Power Of Reset
PWM	Pulse Width Modulator
RAM	Random Access Memory
RNG	Random number generator
SR	Status Register
SSP	Synchronous Serial Port

SYSCFG	System configuration controller
TOE	TCPIP Core Offload Engine
TTL	Transistor-Transistor Logic
TCP	Transmission Control Protocol
UART	Universal Asynchronous Receiver/Transmitter
USB	Universal Serial Bus
UDP	User Datagram Protocol
WOL	Wake On Lan
WDT	Watchdog Timer

## 1.2 Register Bit Conventions

Each register is shown with a key indicating the accessibility of the each individual bit, and the initial condition:

Key	Bit Accessibility
rw	Read/Write
r	Read Only
r0	Read as 0
r1	Read as 1
W	Write Only

## 2 System and memory overview

### 2.1 System architecture

Main system consists of :

- Two masters :
  - Cortex-M0 core
  - uDMAC (PL230, 6channel)
- Ten slaves :
  - Internal BOOT ROM
  - Internal SRAM
  - Internal Flash memory
  - Two AHB2APB bridge which connects all APB peripherals
  - Four AHB dedicated to 16bit GPIOs
  - TCPIP Hardware core

System architecture and AHB-Lite bus architecture shown in Figure 1.

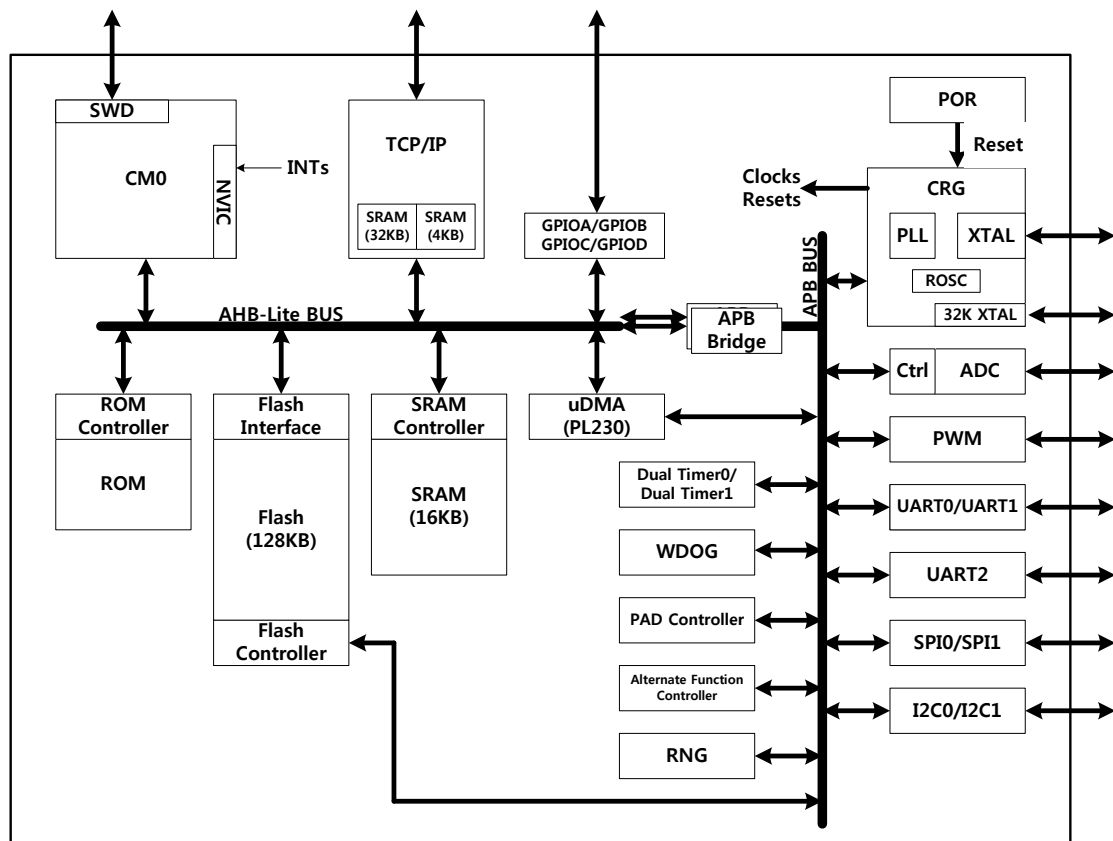


Figure 1 W7500 System Architecture

#### AHB-Lite BUS

- This bus connects the two masters (Cortex-M0 and uDMAC) and ten AHB slaves.

#### Two APB BUSs

- These buses connect Seventeen APB peripherals (Watchdog, two dual timers, pwm, two UARTs, simple UART, two I2Cs, two SSPs, random number generator, real time clock, 12bits analog digital converter, clock controller, IO configuration, PAD MUX controller)

## 2.2 Memory organization

### 2.2.1 Introduction

Program memory, data memory, registers and I/O ports are organized within the same linear 4-Gbyte address space.

The bytes are coded in memory in Little Endian format. The lowest numbered byte in a word is considered the word's least significant byte and the highest numbered byte the most significant.

## 2.2.2 Memory map

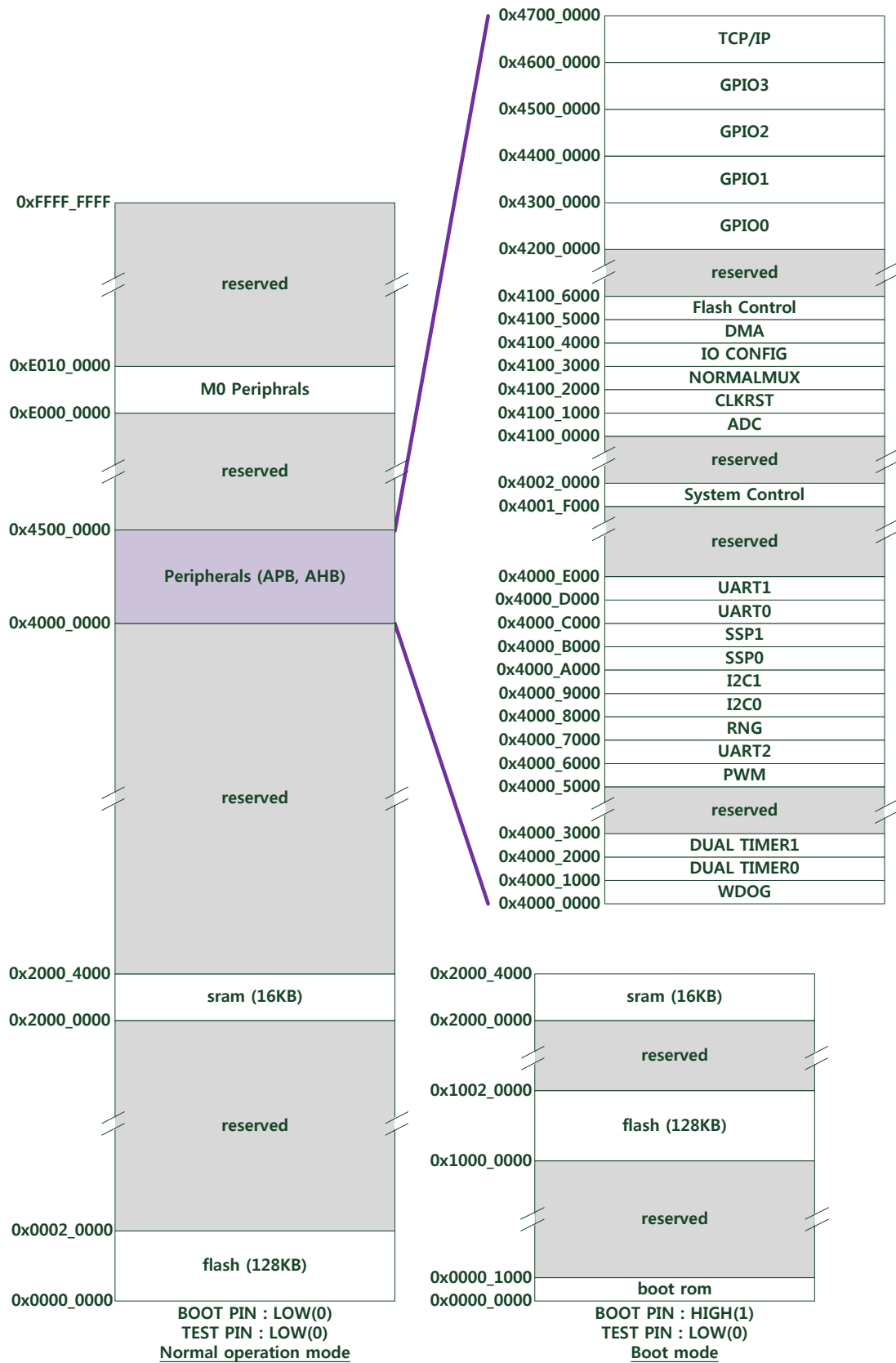


Figure 2 W7500 memory map



## 3 System configuration controller (SYSCFG)

### 3.1 Introduction

Main purposes of the system configuration controller are the following

- Control of the memory remap feature
- The ability to enable an automatic reset if the system locks up
- Information about the cause the last reset

## 4 Interrupt and events

### 4.1 Introduction

W7500 contains interrupt service and event service as below

- 26ea interrupt request (IRQ) lines.
- One NonMaskable Interrupt (NMI).
- One event signal

### 4.2 Interrupt assignments

Table 1 describes the W7500 interrupt assignments.

Table 1 W7500 interrupt assignments

IRQ/NMI	Device	Description	Address
NMI	Watchdog	Watchdog interrupt	0x0000_0008
IRQ[0]	SSP0	SSP0 global interrupt	0x0000_0040
IRQ[1]	SSP1	SSP1 global interrupt	0x0000_0044
IRQ[2]	UART0	UART0 global interrupt	0x0000_0048
IRQ[3]	UART1	UART1 global interrupt	0x0000_004C
IRQ[4]	UART2	UART2 global interrupt	0x0000_0050
IRQ[5]	I2C0	I2C0 global interrupt	0x0000_0054
IRQ[6]	I2C1	I2C1 global interrupt	0x0000_0058
IRQ[7]	GPIO0	GPIOA global interrupt	0x0000_005C
IRQ[8]	GPIO1	GPIOB global interrupt	0x0000_0060
IRQ[9]	GPIO2	GPIOC global interrupt	0x0000_0064
IRQ[10]	GPIO3	GPIOD global interrupt	0x0000_0068
IRQ[11]	DMA	DMA channel 1 ~ channel 5 interrupt	0x0000_006C
IRQ[12]	Dualtimer0	Dualtimer0 global interrupt	0x0000_0070
IRQ[13]	Dualtimer1	Dualtimer1 global interrupt	0x0000_0074
IRQ[14]	PWM0	PWM0 global interrupt	0x0000_0078

IRQ[15]	PWM1	PWM1 global interrupt	0x0000_007C
IRQ[16]	PWM2	PWM2 global interrupt	0x0000_0080
IRQ[17]	PWM3	PWM3 global interrupt	0x0000_0084
IRQ[18]	PWM4	PWM4 global interrupt	0x0000_0088
IRQ[19]	PWM5	PWM5 global interrupt	0x0000_008C
IRQ[20]	PWM6	PWM6 global interrupt	0x0000_0090
IRQ[21]	PWM7	PWM7 global interrupt	0x0000_0094
IRQ[22]	reserved		0x0000_0098
IRQ[23]	ADC	ADC acquisition end interrupt	0x0000_009C
IRQ[24]	TCPIP	TCPIP global interrupt	0x0000_00A0
IRQ[25]	EXT_INT	External pin interrupt	0x0000_00A4
IRQ[26]	reserved		0x0000_00A8
IRQ[27]	reserved		0x0000_00AC
IRQ[28]	reserved		0x0000_00B0
IRQ[29]	reserved		0x0000_00B4
IRQ[30]	reserved		0x0000_00B8
IRQ[31]	reserved		0x0000_00BC

## 4.3 Event

W7500 is able to handle internal events in order to wake up the core(WFE). The wakeup event can be generated by

- When after DMA process finished

## 5 Power supply

### 5.1 Introduction

W7500 embeds a voltage regulator in order to supply the internal 1.5V digital power domain.

- Require a 2.7V ~ 5.5V operating supply voltage (VDD)
- ADC ref voltage is same as VDD

### 5.2 Voltage regulator

The voltage regulator is always enabled after Reset and works in only one mode.

- In Run mode, the regulator supplies full power to the 1.5V domain.
- There is no power down or sleep mode.

## 5.3 Power supply supervisor

W7500 has an integrated reset (POR) circuit which is always active and ensure proper operation above a threshold of 0.6V

- The POR monitors only the VDD supply voltage. During the startup phase VDD must arrive first and be greater than or equal to 0.6V

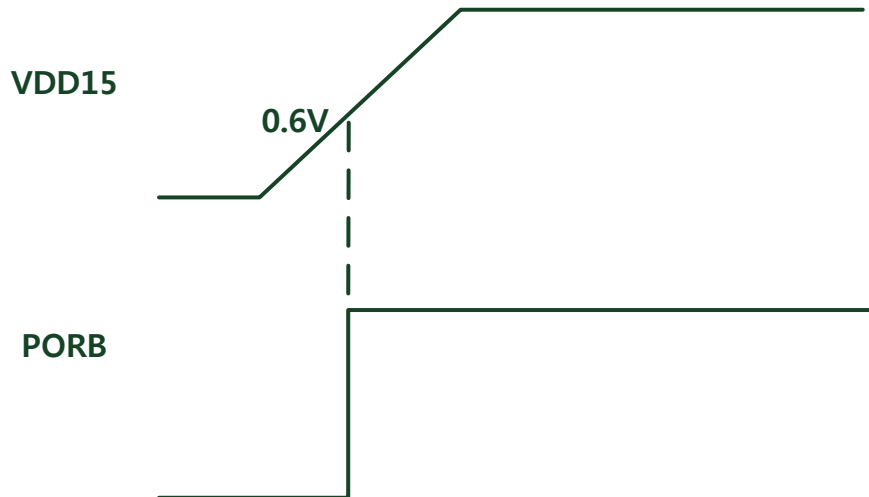


Figure 3 POR reset waveform

## 5.4 Low-power modes

W7500 is in RUN mode after a system or power reset. There are two low power modes to save power when the CPU does not need to be kept running. These modes are useful for instances like when the CPU is waiting for an external interrupt. Please note that there is no power-off mode for W7500.

The device features two low-power modes:

- Sleep mode
- Deep Sleep mode

Additionally, the power consumption can be reducing by following methods:

- User can slow down the system clocks
- User can gate the clocks to the peripherals when they are unused.

### 5.4.1 Sleep mode

W7500 has two kinds of sleep modes. One is Sleep mode and the other is Deep sleep mode.

Two of them are almost the same except the clock gated peripherals kinds. Table 2 shows the Sleep mode summary.

Table 2 W7500 sleep mode summary

Mode	Entry	Wakeup	Effect on clocks
Sleep mode	DEEPSLEEP = 0 Enable WFI	Any interrupt	CPU clock OFF APB Bus Clock ON AHB Bus clock ON Memory clocks ON
	DEEPSLEEP = 0 Enable WFE	Wakeup event	
Deep Sleep mode	DEEPSLEEP = 1 Enable WFI	Any interrupt	CPU clock OFF APB Bus Clock OFF AHB Bus clock OFF Memory clocks OFF
	DEEPSLEEP = 1 Enable WFE	Wakeup event	

## 5.4.2 Peripheral clock gating

In Run mode, individual clocks can be stopped at any time to reduce power.

Peripheral clock gating is controlled by the CRG block.

Below is the list of clocks which can be gating in CRG block.

- ADC clock (ADCCLK)
- SSP0, SSP1 clock (SSPCLK)
- UART0, UART1 clock (UARTCLK)
- Two Timer clocks (TIMCLK0, TIMCLK1)
- 8ea PWM clocks (PWMCLK0 - PWMCLK7)
- WDOG clock (WDOGCLK)
- Random number generator clock (RNGCLK)

## 6 System tick timer

### 6.1 Introduction

System tick timer(SysTick) is part of the ARM Cortex-M0 core

### 6.2 Features

Simple 24bit timer.

Clocked internally by the system clock or the system clock/2.

### 6.3 Functional description

The SysTick timer is an integral part of Cortex-M0. The SysTick timer is intended to generated a fixed 10 millisecond interrupt for use by an operating system or other system management software.

Since the SysTick timer is a part of the Cortex-M0, it facilitates porting of software by

providing a standard timer that is available on Cortex-M0 based devices. The SysTick timer can be used for :

- An RTOS tick timer which fires at a programmable rate (for example 100 Hz) and invokes a SysTick routine.
- A high-speed alarm timer using the core clock.
- A simple counter. Software can use this to measure time to completion and time used.
- An internal clock source control based on missing/meeting durations. The COUNTFLAG bit-field in the control and status register can be used to determine if an action completed within a set duration, as part of a dynamic clock management control loop.

## 7 TCIPCore Offload Engine (TOE)

### 7.1 Introduction

The TCP/IPCore Offload Engine (TOE) is a Hardwired TCP/IP embedded Ethernet controller that provides easier Internet connection to embedded systems. TOE enables users to have Internet connectivity in their applications by using the TCP/IP stack.

WIZnet's Hardwired TCP/IP is the market-proven technology that supports TCP, UDP, IPv4, ICMP, ARP, IGMP, and PPPoE protocols. TOE embeds the 32Kbyte internal memory buffer for the Ethernet packet processing. Using TOE allows users to implement the Ethernet application by adding the simple socket program. It's faster and easier than using any other Embedded Ethernet solutions. 8 independent hardware sockets can be used simultaneously.

TOE also provides WOL (Wake on LAN) to reduce power consumption of the system.

### 7.2 Features

- Supports Hardwired TCP/IP Protocols : TCP, UDP, ICMP, IPv4, ARP, IGMP, PPPoE
- Supports 8 independent sockets simultaneously
- Supports Power down mode
- Supports Wake on LAN over UDP
- Internal 32Kbytes Memory for TX/RX Buffers
- Not supports IP Fragmentation

## 7.3 Functional description

Figure 4 shows the TOE block diagram.

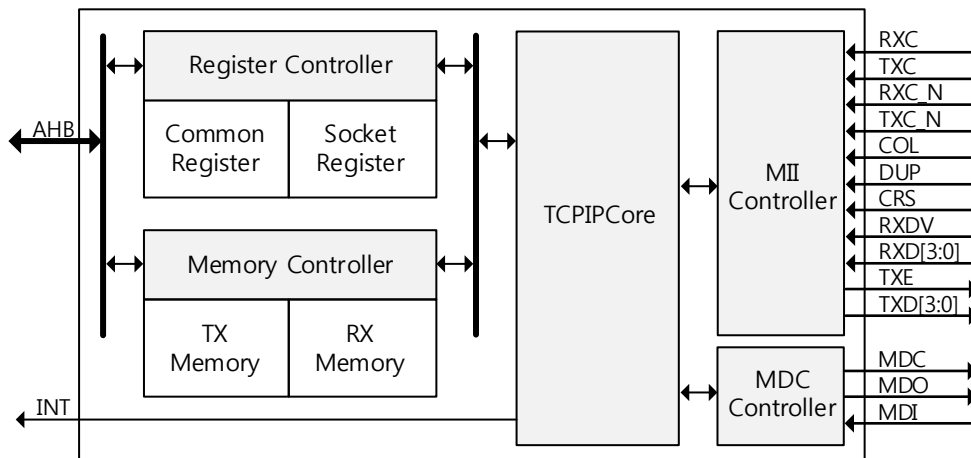


Figure 4 TOE block diagram

## 7.4 TOE Memory map

TOE has one Common Register Block, eight Socket Register Blocks, and TX/RX Buffer Blocks allocated to each Socket. Figure 5 shows the selected block by the base address and the available offset address range of Socket TX/RX Buffer Blocks. Each Socket's TX Buffer Block physically exists in one 16KB TX memory and is initially allocated with 2KB. Also, Each Socket's RX Buffer Block physically exists in one 16KB RX Memory and is initially allocated with 2KB. Regardless of the allocated size of each Socket TX/RX Buffer, it can be accessible within the 16 bits offset address range (From 0x0000 to 0xFFFF).

Refer to 'Chapter 7.4.3' for more information about 16KB TX/RX Memory organization and access method.

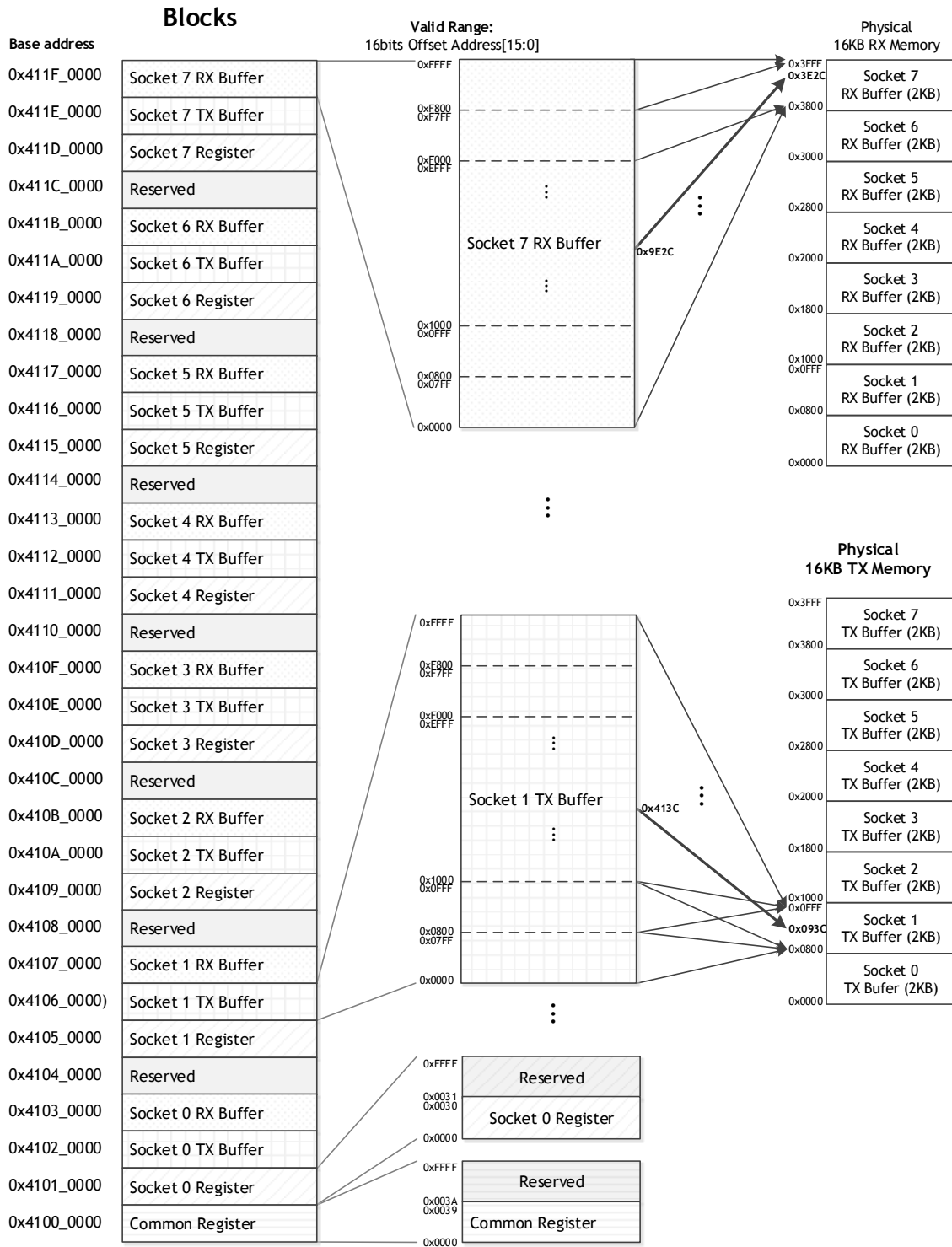


Figure 5. Register & Memory Organization

## 7.4.1 Common register map

Common Register Block configures the general information of TOE such as IP and MAC address. <Table 3> defines the offset address of registers in this block.

Table 3. Offset Address for Common Register

Address	Register
0x0000	TOE Version (VERSIONR)
0x2000	TICKCLOCK (TCLKR)
0x2100	Interrupt (IR)
0x2104	Interrupt Mask (IMR)
0x2108	Interrupt Clear (IRCR)
0x2110	Socket Interrupt (SIR)
0x2114	Socket Mask (SIMR)
0x2300	Mode (MR)
0x2400	PPP Timer (PTIMER)
0x2404	PPP Magic (PMAGIC)
0x2408	PPP Destination MAC Address (PHAR1)
0x240C	PPP Destination MAC address (PHAR0)
0x2410	PPP Session Identification (PSIDR)
0x2414	PPP Maximum Segment Size (PMSS)
0x6000	Source Hardware Address (SHAR1)
0x6004	Source Hardware Address (SHAR0)
0x6008	Gateway Address (GA)
0x600C	Subnet Mask (SUB)
0x6010	Source IP Address (SIP)
0x6020	Network Configuration Lock (NCONFL)
0x6040	Retry Time (RTR)
0x6044	Retry Counter (RCR)
0x6050	Unreachable IP Address (UIP)
0x6054	Unreachable Port Address (UPOINT)

## 7.4.2 Socket register map

TOE supports 8 Sockets for communication channel. Each Socket is controlled by Socket n Register (n = 0,...,7 ,where n is socket number). <Table 2> defines the 16bits Offset Address of registers in Socket n Register Block.



Table 4. Offset Address in Socket n Register Block (n = 0, ..., 7, where n is Socket number)

Offset	Register
0x0000	Socket Mode (Sn_MR)
0x0010	Socket Command (Sn_CR)
0x0020	Socket Interrupt (Sn_IR)
0x0024	Socket Interrupt Mask (Sn_IMR)
0x0028	Socket Interrupt Clear (Sn_ICR)
0x0030	Socket Status (Sn_SR)
0x0100	Socket Protocol Number (Sn_PNR)
0x0104	Socket IP Type of Service (Sn_TOS)
0x0108	Socket TTL (Sn_TTLR)
0x010C	Socket Fragment Offset (Sn_FRAG)
0x0110	Socket Maximum Segment (Sn_MSSR)
0x0114	Socket Port Number (Sn_PORT)
0x0118	Socket Destination Hardware address0 (Sn_DHAR0)
0x011C	Socket Destination Hardware address1 (Sn_DHAR1)
0x0120	Socket Destination Port Number (Sn_DPORTR)
0x0124	Socket Destination IP Address (Sn_DIPR)
0x0180	Socket Keep Alive Timer (Sn_KATMR)
0x0184	Socket Retry Time (Sn_RTR)
0x0188	Socket Retry Counter (Sn_RCR)
0x0200	Socket TX Memory Size (Sn_TXBUF_SIZE)
0x0204	Socket TX Free Size (Sn_TX_FSR)
0x0208	Socket TX Read Pointer (Sn_TX_RD)
0x020C	Socket TX Write Pointer (Sn_TX_WR)
0x0220	Socket RX Memory Size (Sn_RXBUF_SIZE)
0x0224	Socket RX Received Size (Sn_RX_RSR)
0x0228	Socket RX Read Pointer (Sn_RX_RD)
0x022C	Socket RX Write Pointer (Sn_RX_WR)

### 7.4.3 Memory

TOE has one 16KB TX memory for Socket n TX Buffer Blocks and one 16KB RX memory for Socket n RX buffer Blocks.

16KB TX memory is initially allocated in 2KB size for each Socket TX Buffer Block (2KB X 8 = 16KB). The initial allocated 2KB size of Socket n TX Buffer can be re-allocated by using ‘Socket n TX Buffer Size Register (Sn\_TXBUF\_SIZE)’.

Once all Sn\_TXBUF\_SIZE registers have been configured, Socket TX Buffer is allocated with the configured size of 16KB TX Memory and is assigned sequentially from Socket 0 to Socket 7. Its physical memory address is automatically determined in 16KB TX memory. Therefore, the total sum of Sn\_TXBUF\_SIZE should not exceed 16 in case of error in data transmission.

The 16KB RX memory allocation method is the same as the 16KB TX memory allocation method. 16KB RX memory is initially allocated into 2KB size for each Socket RX Buffer Block (2KB X 8 = 16KB). The initial allocated 2KB size of Socket n RX Buffer can be re-allocated by using 'Socket n RX Buffer Size Register (Sn\_RXBUF\_SIZE)'.

When all Sn\_RXBUF\_SIZE registers have been configured, the Socket RX Buffer is allocated with the configured size in 16KB RX Memory and is assigned sequentially from Socket 0 to Socket 7. The physical memory address of the Socket RX Buffer is automatically determined in 16KB RX memory. Therefore, the total sum of Sn\_RXBUF\_SIZE should not exceed 16 or data reception error will occur.

For 16KB TX/RX memory allocation, refer to Sn\_TXBUF\_SIZE & Sn\_RXBUF\_SIZE in 'Chapter 7.4.2'. The Socket n TX Buffer Block allocated in 16KB TX memory is buffer for saving data to be transmitted by host. The 16bits Offset Address of Socket n TX Buffer Block has 64KB address space ranged from 0x0000 to 0xFFFF, and is configured with reference to 'Socket n TX Write Pointer Register (Sn\_TX\_WR)' & 'Socket n TX Read Pointer Register(Sn\_TX\_RD)'. However, the 16bits Offset Address automatically converts into the physical address to be accessible in 16KB TX memory such as Figure 5. Refer to 'Chapter 7.4.2' for Sn\_TX\_WR & Sn\_TX\_RD.

The Socket n RX Buffer Block allocated in 16KB RX memory is buffer for saving the received data through the Ethernet. The 16bits Offset Address of Socket n RX Buffer Block has 64KB address space ranged from 0x0000 to 0xFFFF, and is configured with reference to 'Socket n RX RD Pointer Register (Sn\_RX\_RD)' & 'Socket n RX Write Pointer Register (Sn\_RX\_WR)'. However, the 16bits Offset Address automatically converts into the physical address to be accessible in 16KB RX memory such as Figure 5. Refer to 'Chapter 7.4.2' for Sn\_RX\_RD & Sn\_RX\_WR.

## 8 Booting Sequence

W7500 has three different boot modes that can be selected through the BOOT pin and TEST pin as shown in Table 5.

Table 5 operation of mode selection

Mode selection		Mode	Aliasing
TEST	BOOT		
0	0	APP	User code execute in Main Flash memory.
0	1	ISP	In this mode,W7500 can support ISP function in order to control flash using serial interface.

When W7500 is reset by hardware, it will be operated as below in embedded boot code.

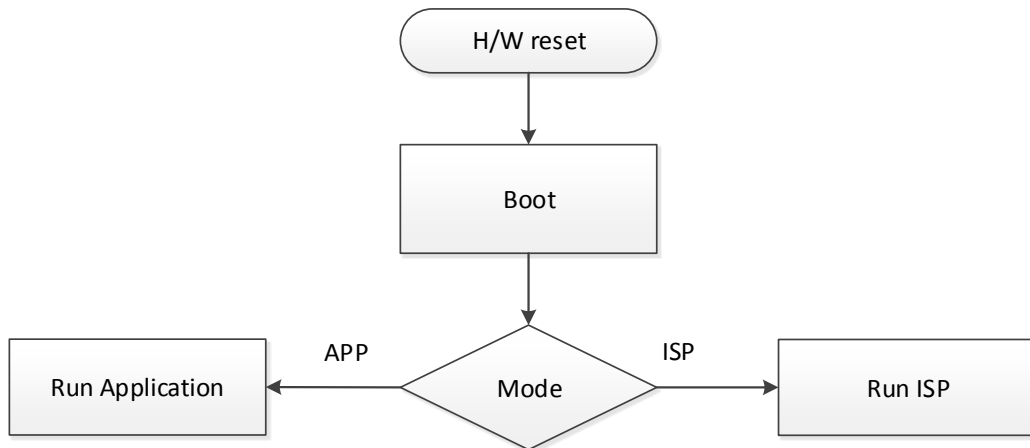


Figure 6. operation of boot code

## 9 Embedded Flash memory

### 9.1 Flash main features

- Up to 128Kbytes of Flash memory
- Memory organization:
  - Main Flash memory block:  
Up to 128Kbytes
  - Information block:  
Up to 512bytes  
Information block is read only
  - Data block:  
Up to 512bytes
- Flash memory interface features:
  - Read interface with prefetch buffer( 1 x 32-bit words )
  - Flash Program / Erase operation
  - Read / Write protection
- 

### 9.2 Flash memory functional description

#### 9.2.1 Flash memory organization

The Flash memory is organized of 32-bit wide memory cells that can be used for storing both code and data constants.

The memory organization is based on a main Flash memory block containing 512 sectors of 256byte or 32 blocks of 4Kbyte. The block and sector provides read/write protection.

Table 6 description of Flash memory

Flash area	Flash memory address	Size (bytes)	Name	Description
Main Flash memory	0x0000 0000 ~ 0x0000 00FF	256	Sector 0	Block 0
	0x0000 0100 ~ 0x0000 01FF	256	Sector 1	
	0x0000 0200 ~ 0x0000 02FF	256	Sector 2	
	0x0000 0300 ~ 0x0000 03FF	256	Sector 3	
	⋮	⋮	⋮	⋮
	0x0000 7000 ~ 0x0000 70FF	256	Sector112	Block 7
	0x0000 7100 ~ 0x0000 71FF	256	Sector113	
	0x0000 7200 ~ 0x0000 72FF	256	Sector114	

	0x0000 7300 ~ 0x0000 73FF	256	Sector115	
	⋮	⋮	⋮	⋮
	0x0001 FC00 ~ 0x0001 FCFF	256	Sector509	Block 32
	0x0001 FD00 ~ 0x0001 FDFF	256	Sector510	
	0x0001 FE00 ~ 0x0001 FEFF	256	Sector511	
	0x0001 FF00 ~ 0x0001 FFFF	256	Sector512	
Information block	0x0003 FC00 ~ 0x0003 FCFF	256		Lock info
	0x0003 FD00 ~ 0x0003 FDFF	Reserved		
Data block	0x0003 FE00 ~ 0x0003 FEFF	256		Data0
	0x0003 FF00 ~ 0x0003 FFFF	256		Data1
Flash memory interface register	0x4100 5000 ~ 0x4100 5003	4		FACCR
	0x4100 5004 ~ 0x4100 5007	4		FADDR
	0x4100 5008 ~ 0x4100 500B	4		FDATAR
	0x4100 500C ~ 0x4100 500F	4		FCTRLR
	0x4100 5010 ~ 0x4100 5013	4		FSTATR
	0x4100 5014 ~ 0x4100 5017	4		FLOCKR0
	0x4100 5018 ~ 0x4100 501B	4		FLOCKR1
	0x4100 5030 ~ 0x4100 5033	4		FKEYR0
	0x4100 5034 ~ 0x4100 5037	4		FKEYR1
	0x4100 5038 ~ 0x4100 503B	4		BSADDR0
	0x4100 503C ~ 0x4100 503F	4		BSADDR1

The W7500 embedded Flash memory can be programmed using in-circuit programming or in-application programming.

The **in-circuit programming (ICP)** method is used to update the entire contents of the Flash memory using the SWD protocol or the boot loader to load the user application into the microcontroller. ICP offers quick and efficient design iterations and eliminates unnecessary package handling or socketing of devices.

In contrast to the ICP method, **in-application programming (IAP)** can use any communication interface supported by the microcontroller (I/Os, UART, I2C, SPI, etc.) to download programming data into memory. IAP allows the user to re-program the Flash memory while the application is running. Nevertheless, part of the application has to have been previously programmed in the Flash memory using ICP.

The program and erase operations can be performed over the whole product voltage range.

They are managed through the following seven Flash registers:

- Flash access control register (FACCR)
- Flash address register (FADDR)
- Flash data register (FDATAR)

- Flash control register (FCTRLR)
- Flash status register (FSTATR)
- Flash lock register (FLOCKR0/R1)
- Flash key register (FKEYR0/R1)
- 

#### Unlocking the Flash access Control register (FACCR)

After reset, the Flash memory is protected against unwanted write or erase operations. The FACCR register is not accessible in write mode. An unlocking sequence should be written to the FKEYR0/R1 register to open the access to the FACCR register. This sequence consists of two write operations:

- Write KEY 0 (FKEYR0) = 0x52537175
- Write KEY 1 (FKEYR1) = 0xA91875FC

Any wrong sequence locks up the FACCR register.

The FACCR register can be locked again by finishing flash control operation.

## 9.2.2 Read operations

The embedded Flash module can be addressed directly as a common memory space. The instruction fetch and the data access are both done through the same AHB bus. Read accesses can be performed with the following options managed through the Flash control register. (FCTRLR)

The Flash reading sequence using FCTRLR register is as below:

1. Check that no main Flash memory operation is ongoing by checking the RDY bit in the FSTATR register.
2. Set KEY in FKEYR0/R1 for setting FACCR register.
3. Set FEN and CTRL bits in the FACCR register.
4. Write main Flash memory address or Data block address to FADDR register.
5. Set RDI or RD bit in FCTRLR to 1. If use RDI bit, don't need to set FADDR again due to increase automatically by SZ bit in FACCR register.
6. Read data from FDATAR register.
7. Wait until the RDY bit is 1 in the FSTATR register.( it is set when the programming operation has succeeded)
8. Set KEY in FKEYR0/R1 for clearing FACCR register.
9. Clear FEN and CTRL bits in the FACCR register

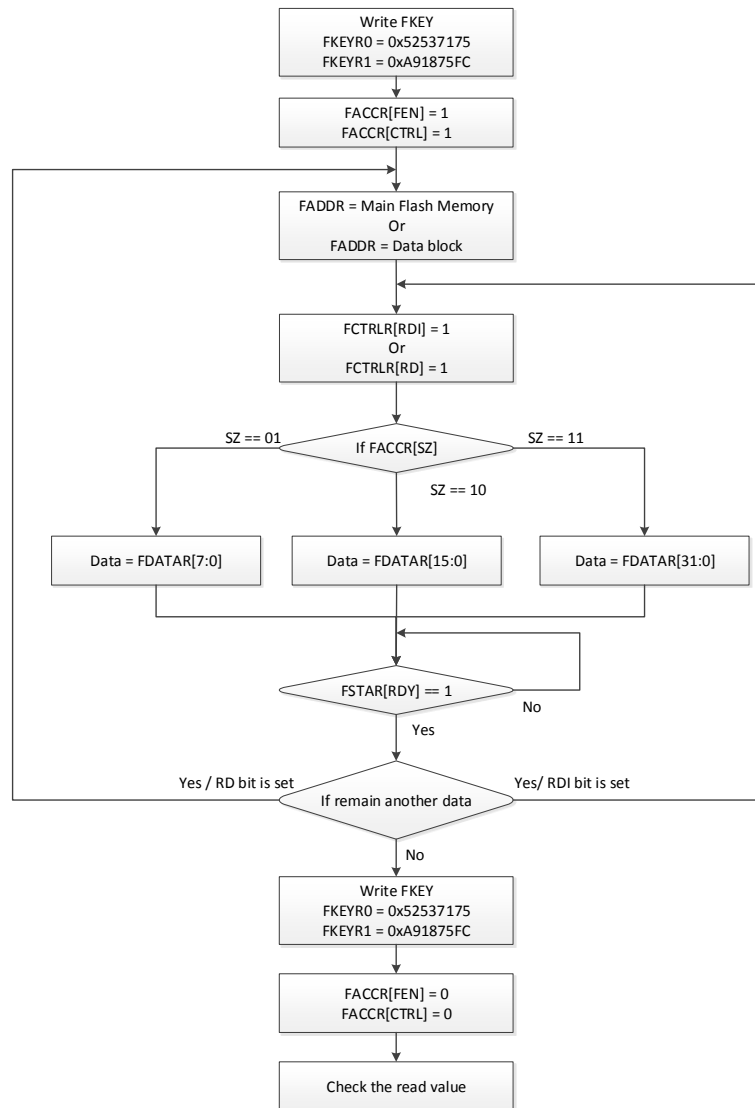


Figure 7. Flash reading sequence

### 9.2.3 Flash erase operations

#### Sector Erase

Follow the procedure below to erase a sector:

1. Check that no Flash memory operation is ongoing by checking the RDY bit in the FSTATR register.
2. Set KEY in FKEYR0/R1 for setting FACCR register.
3. Set FEN and CTRL bits in the FACCR register.
4. Write main Flash memory address to FADDR register to erase.
5. Set SER bit in FACTRLR to 1.
6. Wait until the RDY bit is 1 in the FSTATR register.
7. Set KEY in FKEYR0/R1 for clearing FACCR register.
8. Clear FEN and CTRL bits in the FACCR register

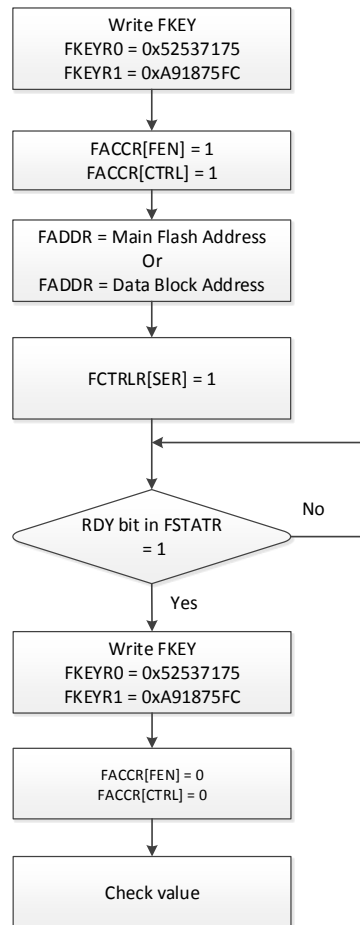


Figure 8. Flash erase operations

### Block Erase

To erase a block, set BER bit in FACTRLR to 1. All other procedures are the same as the sector erase sequence.

### Chip Erase ( All main Flash memory erase )

To erase chip (Main Flash memory), Set CER bit in FACTRLR to 1. All other procedures are the same as the sector erase sequence.

### Mass Erase ( All main Flash memory erase + Data block erase )

To erase mass (Main Flash memory + Data block), Set MER bit in FACTRLR to 1. All other procedures are the same as the sector erase sequence.



## 9.2.4 Flash program operation

The main Flash memory can be programmed word, half word, or 1 byte at a time by SZ bit of FACCR. The program operation is started when the CPU writes a data into a main Flash memory address with the WRI or WR bit of FCTRLR register set.

The main Flash memory programming sequence in standard mode is as below:

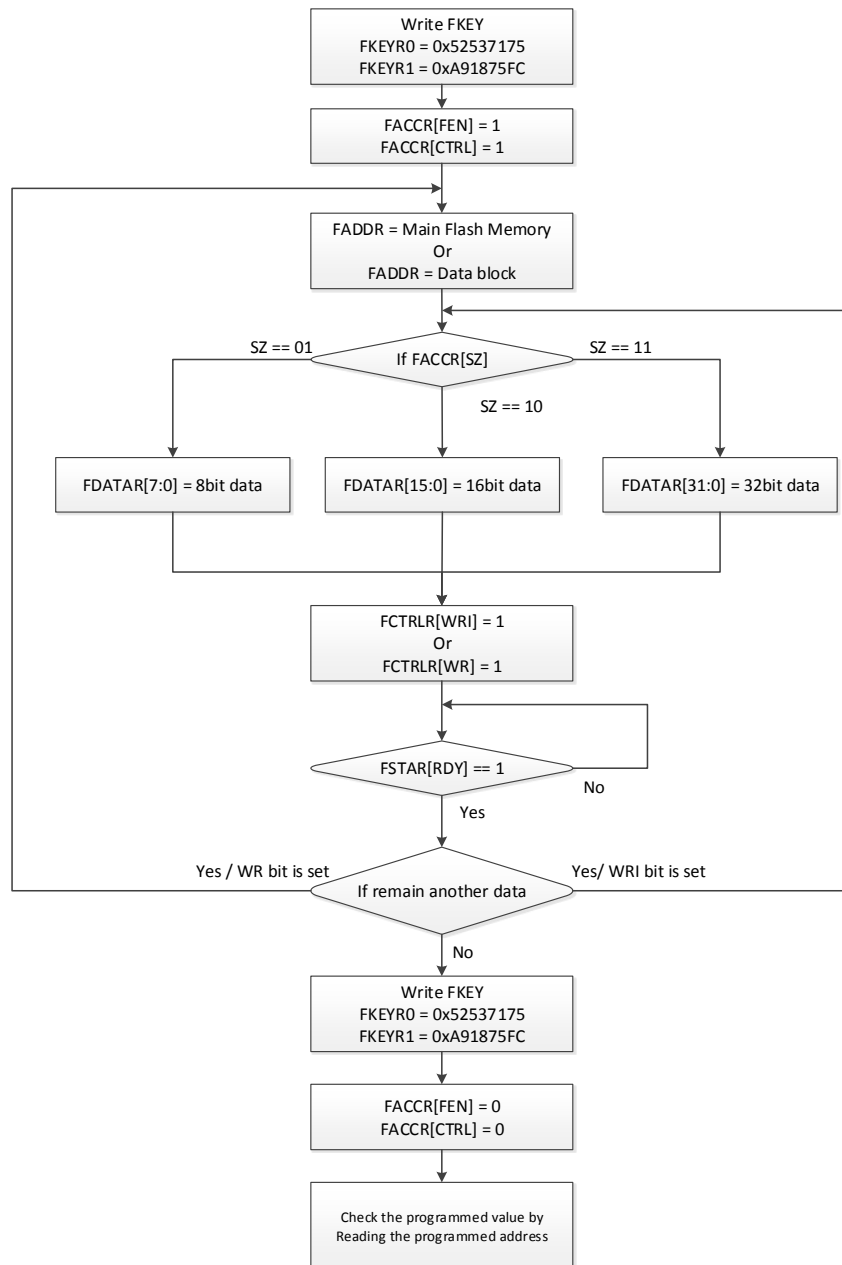


Figure 9. main Flash memory programming sequence

1. Check that no main Flash memory operation is ongoing by checking the RDY bit in the FSTATR register.
2. Set KEY in FKEYR0/R1 for setting FACCR register.

3. Set FEN and CTRL bits in the FACCR register.
4. Write main Flash memory address or Data block address to FADDR register.
5. Write data to FDATAR register.
6. Set WRI or WR bit in FACTRLR to 1. If use WRI bit, don't need to set FADDR again due to increase automatically by SZ bit in FACCR register.
7. Wait until the RDY bit is 1 in the FSTATR register.( it is set when the programming operation has succeeded)
8. Set KEY in FKEYR0/R1 for clearing FACCR register.
9. Clear FEN and CTRL bits in the FACCR register

## 9.3 Memory protection

The user area of the Flash memory can be protected against read by untrusted code. The blocks of the Flash memory can also be protected against unwanted write due to loss of program counter contexts. The write-protection granularity is one block (4Kbyte).

### 9.3.1 Read protection

The read protection is activated by DRL bit and CRL bit in FLOCKR0 register.

- DRL0 : read protection to Data0 area in Data block.
- DRL1 : read protection to Data1 area.in Data block
- CRL : read protection to main Flash memory

### 9.3.2 Write protection

The write protection is implemented with a granularity of one block. It is activated by configuring the FLOCKR1 register or DWL bit, CABWL bit in FLOCKR0 register.

- FLOCKR1 : write protection to main Flash memory with a granularity of one block.
- DWL0 : write protection to Data0 area in Data block.
- DWL1 : write protection to Data1 area in Data block.
- CABWL : write protection to main Flash memory all block.

## 10 Clock Reset generator (CRG)

### 10.1 Introduction

CRG is clock reset generator block for W7500 System. It provides every clock/reset for all other block include CPU and peripherals. CRG includes PLL and POR.

### 10.2 Features

#### 10.2.1 Reset

- Three types of reset - external reset, Power reset, system reset
- External reset is generated by low level on the RSTn pin (external reset)
- Power reset is generated by Power-on reset (POR)
- Power on reset is generated by POR
- System reset is generated when one of the following events occurs
  - Watchdog event
  - After remapping
  - Software reset (SYSRESETREQ bit in Cortex-M0. Refer to the Cortex-M0 technical reference manual for more detail)
- Power reset sets all registers to their reset values.
- System reset sets all registers to their reset values except the CRG block registers and remap register to protect remap value

#### 10.2.2 Clock

Two clock sources can be used to drive the system clock.

- External oscillator clock (8MHz ~ 24MHz) (OCLK)
- Internal 8MHz RC oscillator clock (RCLK)

One additional clock source

- 32.768KHz low speed external crystal which derives the real time clock.

There is a PLL

One PLL is integrated

- Input clock range is from 8MHz to 24MHz
- Frequency can be generated by M/N/OD registers. (refer register description)
- Bypass option enabled

There are many generated clocks for independent operating with system clock

- System clock (FCLK)
- ADC clock (ADCCLK)
- SSP0, SSP1 clock (SSPCLK)
- UART0, UART1 clock (UARTCLK)

- Two Timer clocks (TIMCLK0, TIMCLK1)
- 8ea PWM clocks (PWMCLK0 - PWMCLK7)
- WDOG clock (WDOGCLK)
- Random number generator clock (RNGCLK)

RNGCLK have only one source (pll output) and no prescaler

Some of the generated clocks turn off automatically when CPU enters sleep mode.

- ADCCLK, RNGCLK

Generate two Hardware TCPIP Clocks (MII\_RXC, MII\_TXC) are from external PADs.

Hardware TCPIP Clocks can be gated by register control.

All clocks generated from CRG can be monitored.

### 10.3 Functional description

Figure 10 shows the CRG block diagram.

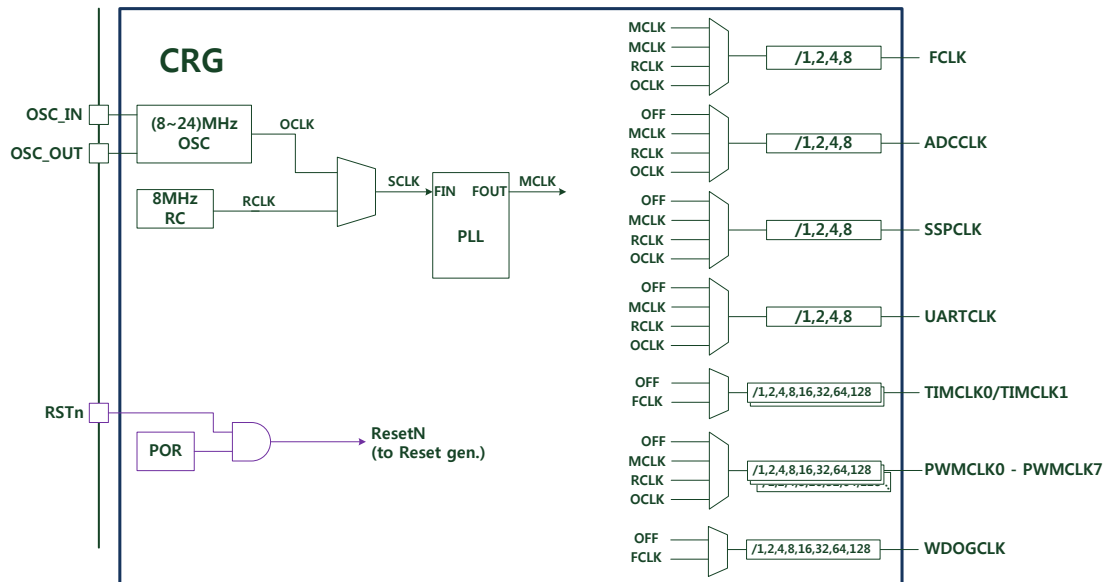


Figure 10 CRG block diagram

#### 10.3.1 External Oscillator Clock

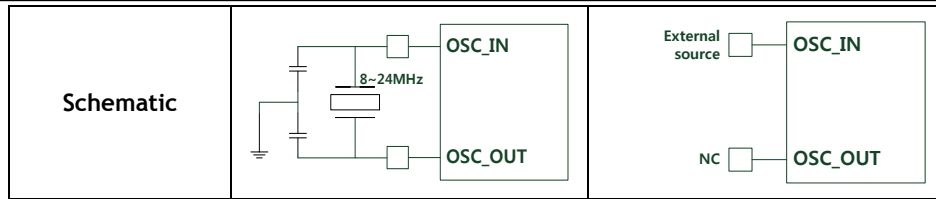
External oscillator clock (OCLK) can be generated from two possible clock source

- External crystal/ceramic resonator (8 to 24MHz external oscillator)
- User external clock

Table 7 shows the two clock sources of external oscillator clock

Table 7 External oscillator clock sources

	External clock	Crystal/ Ceramic resonators



### 10.3.2 RC oscillator clock

RC oscillator clock (RCLK) signal is generated from an internal 8MHz RC oscillator.

RC oscillator has the advantage of providing a clock source at low cost (no external components). However the RC oscillator is less accurate than the external crystal or ceramic resonator.

- Accuracy : 1% at  $T_A = 25^\circ\text{C}$  (User don't need to calibration)

### 10.3.3 PLL

The internal PLL can be used to multiply the External Oscillator Clock (OCLK) or RC Oscillator Clock (RCLK). PLL input can be selected by register.

PLL output clock can be generated by following the equations below.

- $F_{OUT} = F_{IN} \times M / N \times 1 / OD$
- Where:
- $M = M[5] \times 2^5 + M[4] \times 2^4 + M[3] \times 2^3 + M[2] \times 2^2 + M[1] \times 2 + M[0] \times 1$
- $N = N[5] \times 2^5 + N[4] \times 2^4 + N[3] \times 2^3 + N[2] \times 2^2 + N[1] \times 2 + N[0] \times 1$
- $OD = 2^{(2 \times OD[1])} \times 2^{(1 \times OD[0])}$

### 10.3.4 Generated clock

Each generated clock source can be selected among 3 clock source as independent by each clock source select register.

- PLL output clock (MCLK)
- Internal 8MHz RC oscillator clock (RCLK)
- External oscillator clock (8MHz ~ 24MHz) (OCLK)

Each generated clock has own prescaler which can be selected individually by each prescale value register.

- FCLK, ADCCLK, SSPCLK, UARTCLK : 1/1, 1/2, 1/4, 1/8
- TIMCLK0, TIMCLK1, PWMCLK0 - PWMCLK7, WDOGCLK : 1/1, 1/2, 1/4, 1/8, 1/16, 1/32, 1/64, 1/128

# 11 Random number generator (RNG)

## 11.1 Introduction

RNG is a 32bit random number generator. RNG generates power on random number when power on reset. RNG can run/stop by software. RNG seed value and polynomial of RNG can be modified by software.

## 11.2 Features

- 32bit pseudo random number generator
- Formula of pseudo random number generator (polynomial) can be modified.
- Seed value of random generator can be modified.
- Support power on reset random value
- Random value can be obtained by control start/stop by software.

## 11.3 Functional description

Figure 11 shows the RNG block diagram.

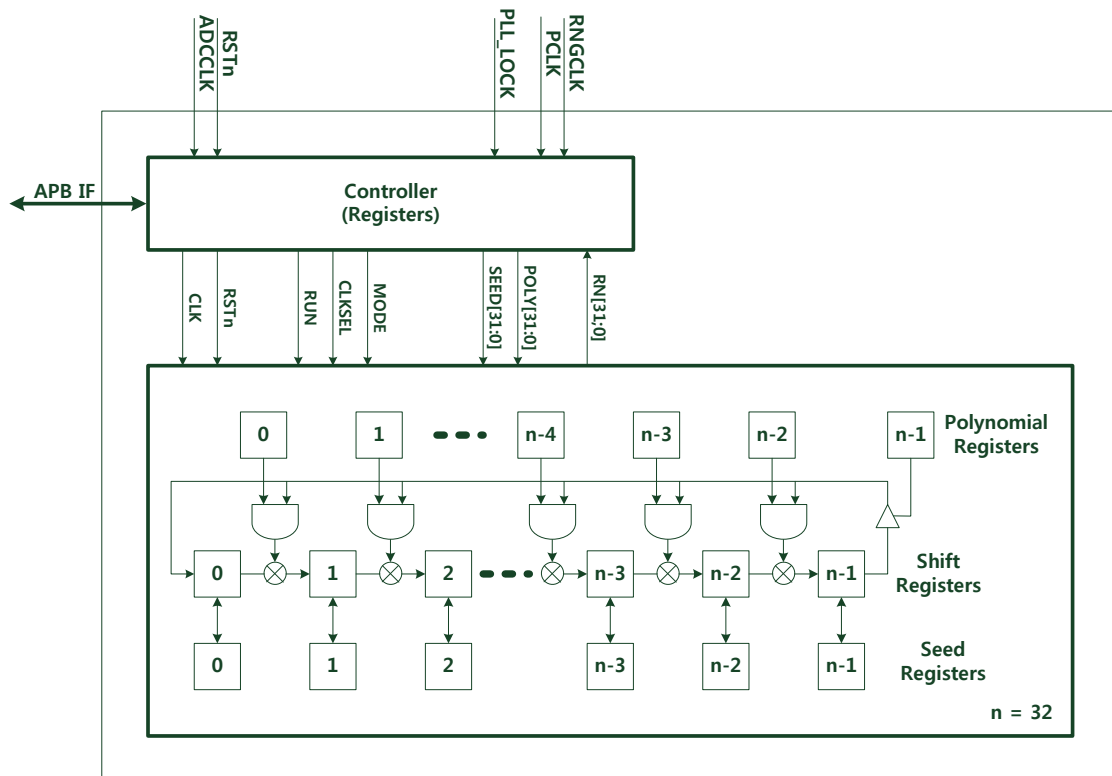


Figure 11. Random Number Generator block diagram

### 11.3.1 Operation RNG

Figure 12 show the flowchart of RNG operation.

A random number is automatically generated after powering on reset,

Follow the procedure below to manually generate a random number.

1. Change MODE to start/stop by register.
2. Change clock source / seed value / polynomial value if need.
3. Run and Stop the RNG.
4. Read Random value.

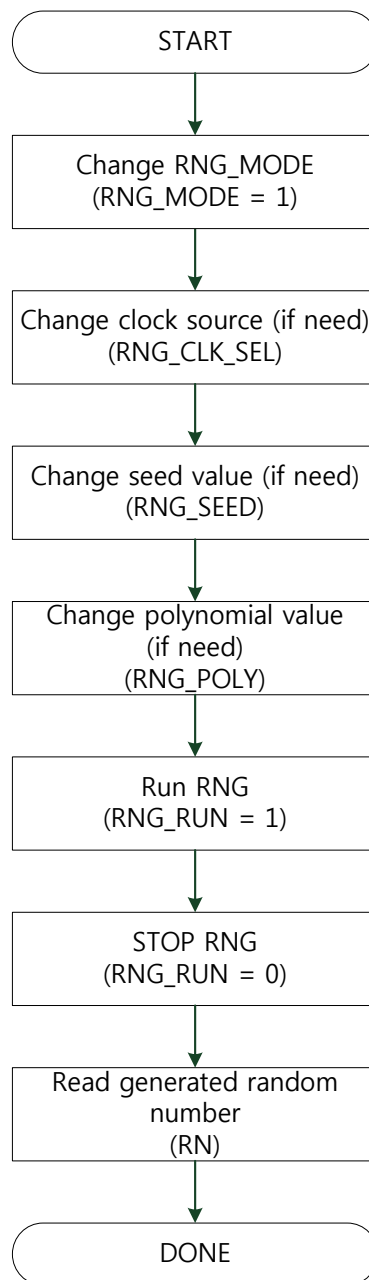


Figure 12. Flow chart of RNG operation

## 12 Alternate Function Controller (AFC)

### 12.1 Introduction

Each functional PADS have several functions.

Users can select a function in Alternate Function Controller block.

### 12.2 Features

Each functional pad has 2 ~ 4 functions.

Pads can be selected by each registers individually.

Each pad can be used as external interrupt source.

### 12.3 Functional description

Table 8 shows the function table of each functional pad.

Table 8 functional description table

		function selection register value			
		00 (reset value)	01	10	11
PAD	PIN	Normal Function	2nd Function	3rd Function	4th Function
PA_00	29	GPIOA_0	GPIOA_0	PWM6/CAP6	
PA_01	30	GPIOA_1	GPIOA_1	PWM7/CAP7	
PA_02	31	GPIOA_2	GPIOA_2	CLKOUT	
PA_03	49	SWCLK	GPIOA_3		
PA_04	50	SWDIO	GPIOA_4		
PA_05	33	SSEL0	GPIOA_5	SCL1	PWM2/CAP2
PA_06	34	SCLK0	GPIOA_6	SDA1	PWM3/CAP3
PA_07	35	MISO0	GPIOA_7	U_CTS1	PWM4/CAP4
PA_08	36	MOSI0	GPIOA_8	U_RTS1	PWM5/CAP5
PA_09	37	SCLO	GPIOA_9	U_TXD1	PWM6/CAP6
PA_10	38	SDA0	GPIOA_10	U_RXD1	PWM7/CAP7
PA_11	40	U_CTS0	GPIOA_11	SSEL1	
PA_12	41	U_RTS0	GPIOA_12	SCLK1	
PA_13	42	U_TXD0	GPIOA_13	MISO1	
PA_14	43	U_RXD0	GPIOA_14	MOSI1	
PA_15	44	GPIOA_15	GPIOA_15		
PB_00	45	SSEL1	GPIOB_0	U_CTS0	
PB_01	46	SCLK1	GPIOB_1	U_RTS0	
PB_02	47	MISO1	GPIOB_2	U_TXD0	



PB_03	48	MOSI1	GPIOB_3	U_RXD0	
PB_04	24	TXEN	GPIOB_4		
PB_05	25	COL	GPIOB_5		
PB_06	16	RXD3	GPIOB_6		
PB_07	17	RXCLK	GPIOB_7		
PB_08	18	DUP	GPIOB_8		
PB_09	19	TXCLK	GPIOB_9		
PB_10	20	TXD0	GPIOB_10		
PB_11	21	TXD1	GPIOB_11		
PB_12	22	TXD2	GPIOB_12		
PB_13	23	TXD3	GPIOB_13		
PB_14	26		GPIOB_14		
PB_15	27		GPIOB_15		
PC_00	53	U_CTS1	GPIOC_0	PWM0/CAP0	
PC_01	54	U_RTS1	GPIOC_1	PWM1/CAP1	
PC_02	55	U_TXD1	GPIOC_2	PWM2/CAP2	
PC_03	56	U_RXD1	GPIOC_3	PWM3/CAP3	
PC_04	57	SCL1	GPIOC_4	PWM4/CAP4	
PC_05	58	SDA1	GPIOC_5	PWM5/CAP5	
PC_06	51	GPIOC_6	GPIOC_6	U_TXD2	
PC_07	52	GPIOC_7	GPIOC_7	U_RXD2	
PC_08	1	PWM0/CAP0	GPIOC_8	SCL0	AIN7
PC_09	2	PWM1/CAP1	GPIOC_9	SDA0	AIN6
PC_10	3	U_TXD2	GPIOC_10	PWM2/CAP2	AIN5
PC_11	4	U_RXD2	GPIOC_11	PWM3/CAP3	AIN4
PC_12	5	AIN3	GPIOC_12	SSEL0	AIN3
PC_13	6	AIN2	GPIOC_13	SCLK0	AIN2
PC_14	7	AIN1	GPIOC_14	MISO0	AIN1
PC_15	8	AIN0	GPIOC_15	MOSI0	AIN0
PD_00	11	CRS	GPIOD_0		
PD_01	12	RXDV	GPIOD_1		
PD_02	13	RXD0	GPIOD_2		
PD_03	14	RXD1	GPIOD_3		
PD_04	15	RXD2	GPIOD_4		

## 13 External Interrupt (EXTI)

### 13.1 Introduction

Each functional pads are connected to the external interrupt(EXTINT) source.

### 13.2 Features

- All functional pads can be used as an external interrupt source regardless of any set of pad function.
- External Interrupt controller has the following functions and can be controlled by registers.
  - Interrupt mask (enable or disable, default : disable)
  - Interrupt polarity (rising or falling, default : rising)

### 13.3 Functional description

All pads are connected to the control register individually. (External interrupt mask register and External Interrupt polarity register)

External interrupt working as following expression:

- Each pad interrupt = Interrupt mask & (Interrupt polarity ^ Pad input)
- EXTINT = any Each pad interrupt

Figure 13 shows the External Interrupt diagram.

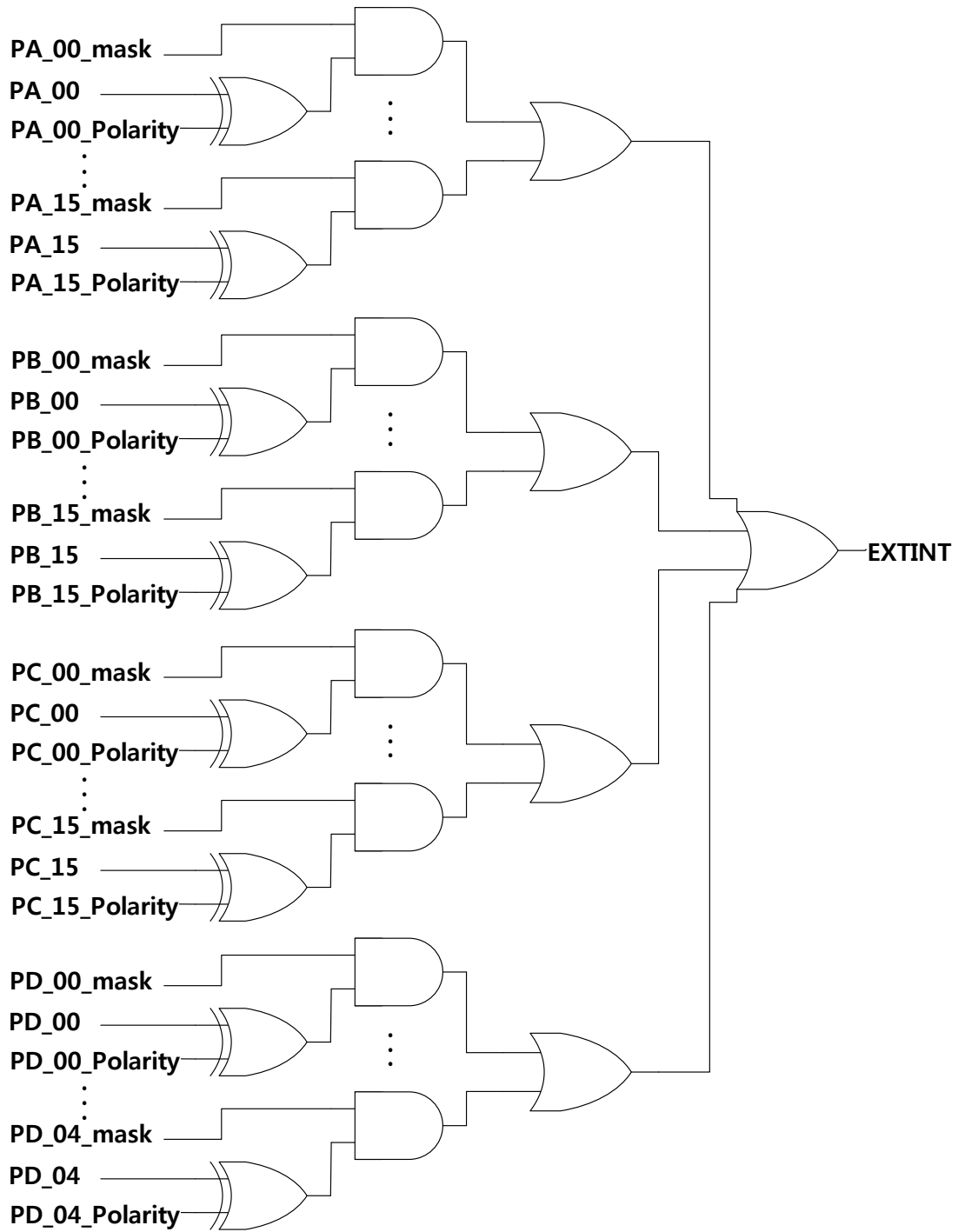


Figure 13. External Interrupt diagram

## 14 Pad Controller (PADCON)

### 14.1 Introduction

Pads of W7500 are controllable. User can control pad's characteristic.

### 14.2 Features

- W7500 has digital I/O pads and digital/analog mux I/O pads
- Controllable characteristics of pads are pull-up, pull-down, driving strength, input enable, and CMOS/Schmitt trigger input buffer
- Each pad can be controlled individually by register.

### 14.3 Functional description

Figure 14 shows the function schematic of digital I/O pad of W7500.

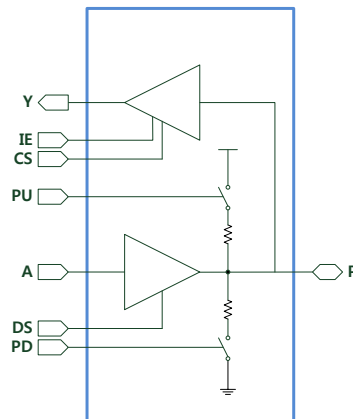


Figure 14. function schematic of digital I/O pad

Figure 15 shows the function schematic of digital/analog mux IO pad of W7500

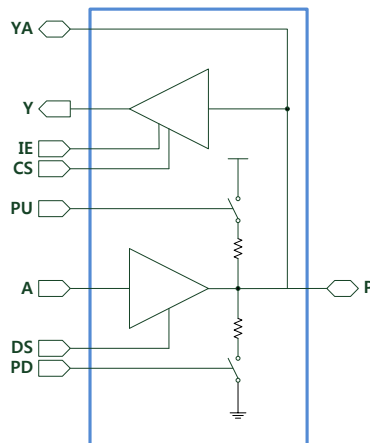


Figure 15. function schematic of digital/analog mux IO pad

Initials of Pad diagram is same as below.

P - PAD

YA - Analog Input (connect to ADC input)

Y - Digital Input

IE - Input buffer enable

Condition		A	Y	P
Input buffer enable (IE = 1)	Output mode	OUT	OUT	OUT
	Input mode	No use	IN	IN
Input buffer disable (IE = 0)	Output mode	OUT	Low (0)	OUT
	Input mode	No use	IN	IN

CS - CMOS/Schmitt trigger input buffer select

PU - Pull-up enable

A - Digital Output

DS - Driving strength select

Condition		Rise/Fall Time (nSec)		Propagation Delay (nSec)	
Driving Strength	Capacitance loading	Min	Max	Min	Max
High (DS = 1)	25pF	4	18	7	27
	100pF	11	53	11	44
Low (DS = 0)	25pF	1	8	4	16
	100pF	4	23	7	24

PD - Pull-down enable

User can set pad condition with IE, CS, PU/PD, DS by register.

And pads are can be controlled individually.

## 15 General-purpose I/Os(GPIO)

### 15.1 Introduction

The GPIO(General-Purpose I/O Port) is composed of four physical GPIO blocks, each corresponding to an individual GPIO port(PORT A, PORT B, PORT C, PORT D). The GPIO supports up to 53 programmable input/output pins, depending on the peripherals being used.

### 15.2 Features

- The GPIO peripheral consists the following features.
  - GPIO\_DATAOUT can SET/CLEAR by the SET register and CLEAR register. (1 for set and 0 for clear)

- Mask registers allow treating sets of port bits as a group leaving other bits unchanged.
- Up to 53 GPIOs depending on configuration
- Programmable control for GPIO interrupts
  - Interrupt generation masking
  - Edge-triggered on rising, falling, or both

## 15.3 Functional description

Figure 16 shows the GPIO block diagram.

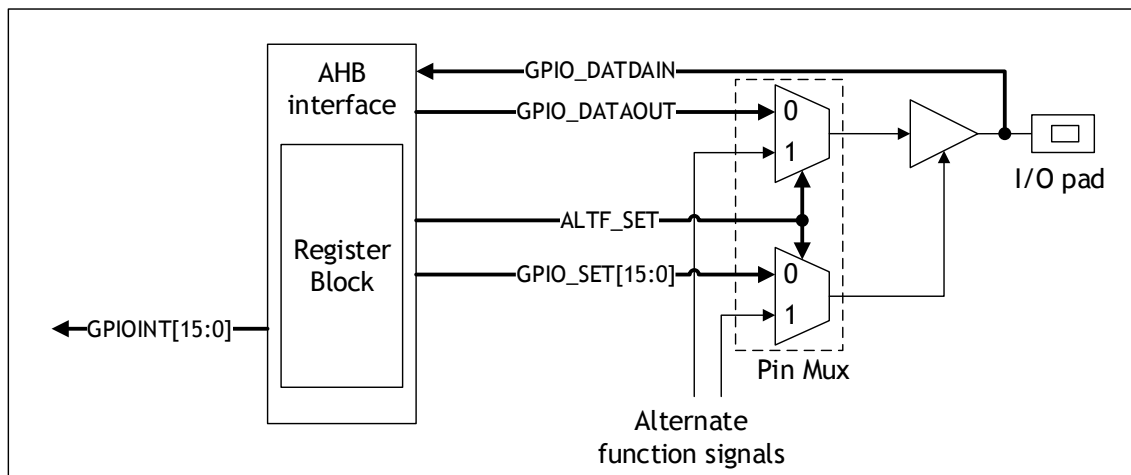


Figure 16. GPIO block diagram

Figure 17 shows the operation sequences available for the GPIO.

The pad alternate function is using the pad alternate function select register.

Refer to '12. Alternate Function Controller (AFC)' for more details about each register.

The pad control supports pull-down, pull-up, input buffer, and summit trigger input buffer.

Refer to '14. Pad Controller (PADCON)' for more details about each register.

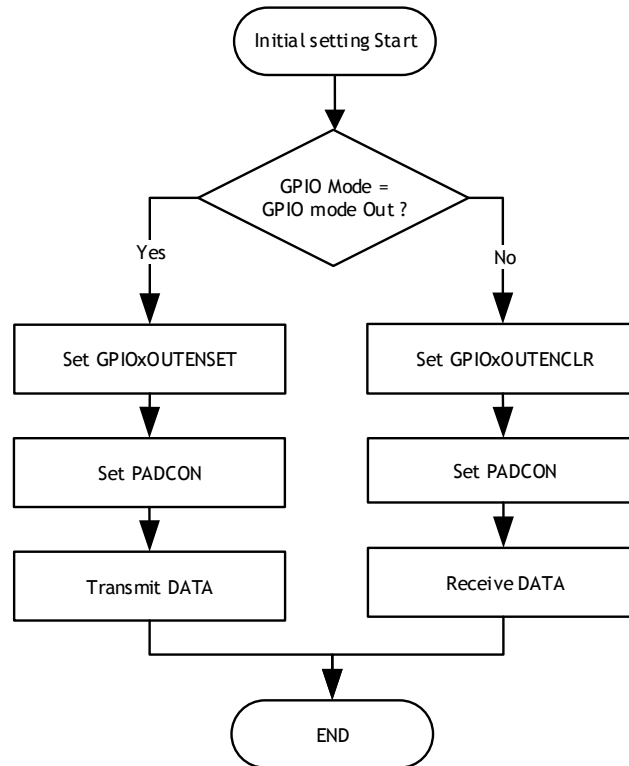


Figure 17. GPIO Flow chart

### 15.3.1 Masked access

The masked access feature permits individual bits or multiple bits to be read from or written to in a single transfer. This avoids software-based read-modify-write operations that are not thread safe. With the masked access operations, the 16-bit I/O is divided into two halves, lower byte and upper byte. The bit mask address spaces are defined as two arrays each containing 256 words.

For example, to set bits[1:0] to 1 and clear bits[7:6] in a single operation, users can carry out the write to the lower byte mask access address space. The required bit mask is 0xC3, and users can write the operation as MASKLOWBYTE[0xC3] = 0x03. Refer Figure 18 below.

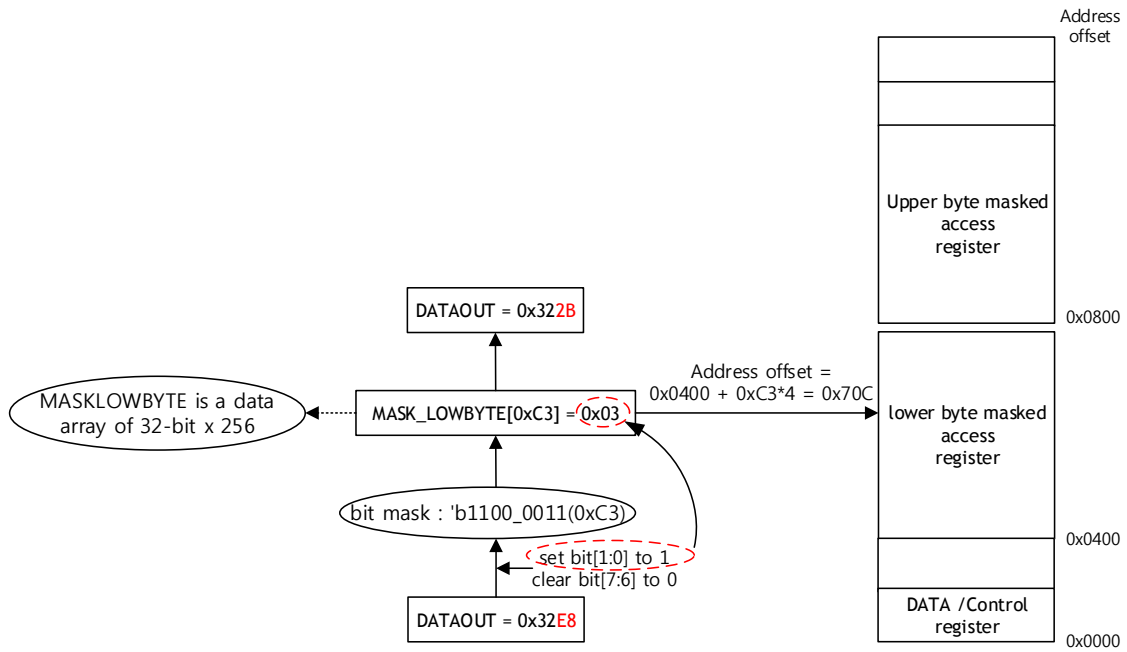


Figure 18. MASK LOWBYTE access

To update some of the bits in the upper eight bits of the GPIO port, users can use the `MASKHIGHBYTE` array as Figure 19 below.

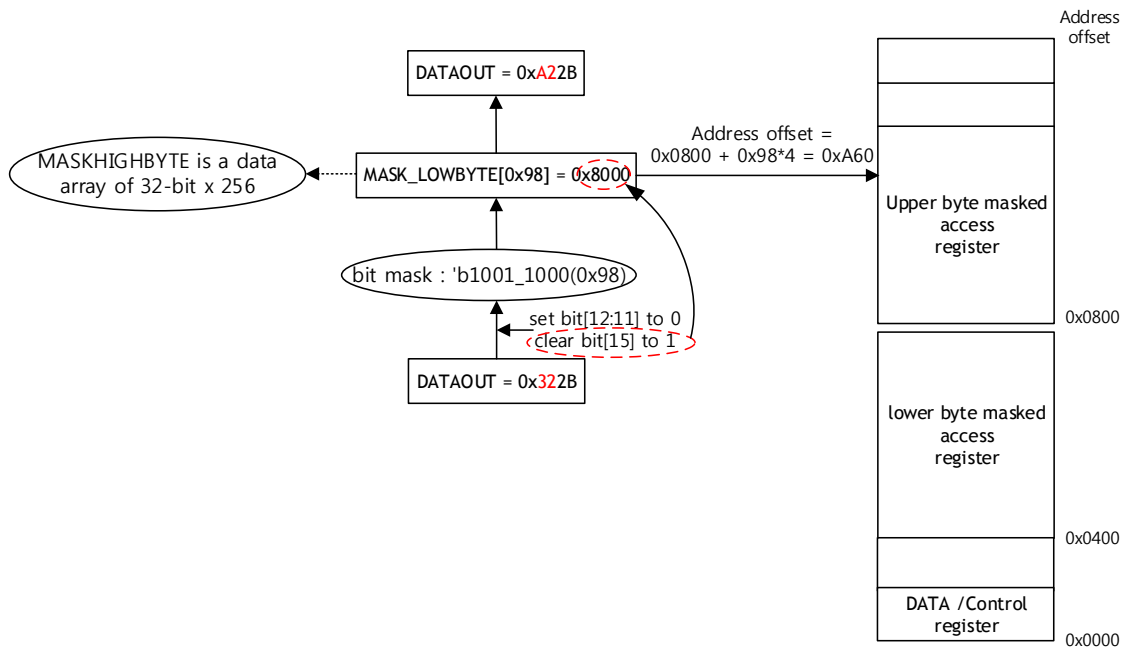


Figure 19 MASK HIGHBYTE access



## 16 Direct memory access controller (DMA)

### 16.1 Introduction

Direct memory access (DMA) is used in order to provide high-speed data transfer between peripherals and memory as well as memory to memory. Data can be quickly moved by DMA without any CPU actions. This keeps CPU resources free for other operations.

The DMA controller has up to 6 channels in total, each dedicated to managing memory access requests from one or more peripherals. It has an arbiter for handling the priority between DMA requests. For more details, refer to “PrimeCell®  $\mu$ DMA Controller (PL230)” from the Technical Reference Manual

### 16.2 Features

- 6 channels
- Each channel is connected to dedicated hardware DMA requests and software trigger is also supported on each channel.
- Priorities between requests from the DMA channels are software programmable (2 levels consisting of high, default)
- Memory-to-memory transfer (software request only)
- TCP/IP-to-memory transfer (software request only)
- SPI/UART-to-memory transfer (hardware request and software request)
- Access to Flash, SRAM, APB and AHB peripherals as source and destination

### 16.3 Functional description

Figure 20 shows the DMA block diagram.

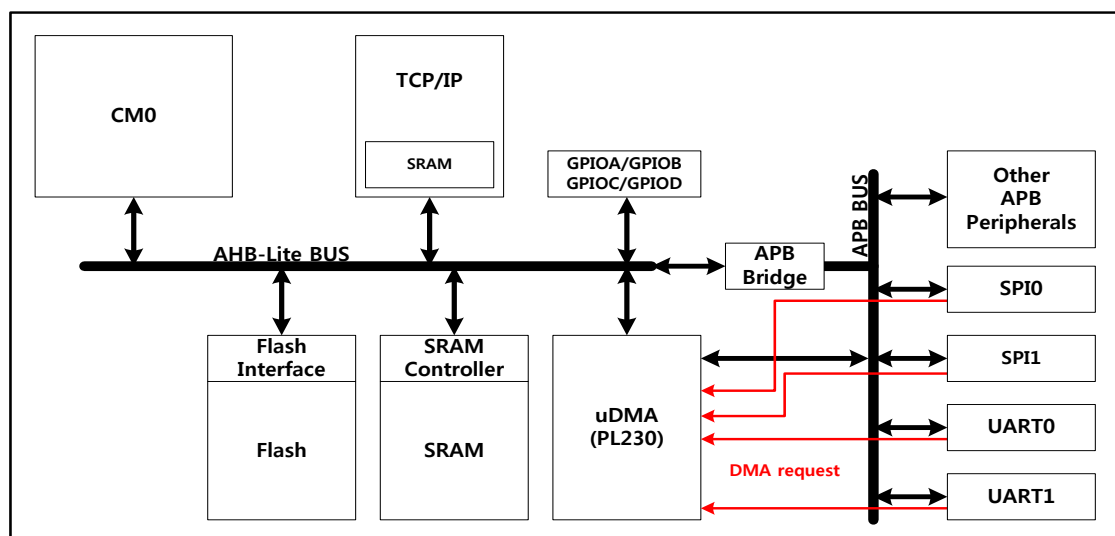


Figure 20. DMA Block diagram

### 16.3.1 DMA request mapping

The hardware requests from the peripherals (UART0, UART1, SSP0, SSP1) are simply connected to the DMA. Refer to Table 9 which lists the DMA requests for each channel.

Table 9 Summary of the DMA requests for each channel

	Channel 1	Channel 2	Channel 3	Channel 4	Channel 5	Channel 6
Hardware Request	SSP0_TX SSP0_RX	SSP1_TX SSP1_RX	UART0_TX UART0_RX	UART1_TX UART1_RX	NONE	NONE
Software Request <sup>(1)</sup>	Support	Support	Support	Support	Support	Support

1. Software request is the only way to use DMA for memory-to-memory or TCP/IP-to-memory.

### 16.3.2 DMA arbitration

The controller can be configured to perform arbitration during a DMA cycle before and after a programmable number of transfers. This reduces the latency for servicing a higher priority channel.

The controller uses four bits in the channel control data structure that configures how many AHB bus transfers occur before the controller re-arbitrates. These bits are known as the R<sub>power</sub> bits because the value R is raised to the power of two and this determines the arbitration rate. For example, if R = 4, then the arbitration rate is 2<sup>4</sup>, which means the controller arbitrates every 16 DMA transfers.

**Remark:** Do not assign a low-priority channel with a large R<sub>power</sub> value because this prevents the controller from servicing high-priority requests until it re-arbitrates.

When  $N > 2^R$  and is not an integer multiple of  $2^R$ , then the controller always performs sequences of  $2^R$  transfers until  $N < 2^R$  remain to be transferred. The controller performs the remaining N transfers at the end of the DMA cycle.

### 16.3.3 DMA cycle types

The cycle\_ctrl bits in the channel control data structure control how the DMA controller performs a cycle.

The controller uses four cycle types described in this manual:

- Invalid
- Basic

- Auto-request
- Ping-pong

See ARM micro DMA (PL230) documentation for additional cycle types.

For all cycle types, the controller arbitrates after  $2^R$  DMA transfers. If a low-priority channel is set to a large  $2^R$  value then it prevents all other channels from performing a DMA transfer until the low-priority DMA transfer completes. Therefore, the user must be cautious when setting the R\_power bit in the channel\_cfg data structure so that the latency for high-priority channels is not significantly increased.

### 16.3.3.1 Invalid cycle

After the controller completes a DMA cycle, it sets the cycle type to invalid to prevent it from repeating the same DMA cycle.

### 16.3.3.2 Basic cycle

In this mode, the controller can be configured to use either the primary or the alternate channel control data structure. After the channel is enabled and the controller receives a request for this channel, the flow for basic cycle is as below:

1. The controller performs  $2^R$  transfers.  
If the number of transfers remaining is zero the flow continues at step 3.
2. The controller arbitrates:
  - If a higher-priority channel is requesting service, then the controller services that channel.
  - If the peripheral or software signals a request to the controller, then it continues at step 1.
3. The controller sets dma\_done[c] signal for this channel HIGH for one system clock cycle.  
This indicates to the host processor that the DMA cycle is complete.

### 16.3.3.3 Auto-request cycle

When the controller operates in this mode, it is only necessary to receive a single request to enable the controller to complete the entire DMA cycle. This enables a large data transfer to occur, without significantly increasing the latency for servicing higher priority requests or requiring multiple requests from the processor or peripheral.

The auto-request cycle is typically used for memory-to-memory requests. In this case, software generates the starting request for the  $2^R$  transfers after setting up the DMA control data structure.

In this mode, the controller can be configured to use either the primary or the alternate channel control data structure. After the channel is enabled and the controller receives a request for this channel, the flow for the auto-request cycle is as below:

1. The controller performs  $2^R$  transfers. If the number of transfers remaining is zero the flow continues at step 3.
2. The controller arbitrates if there are any transfers remaining after  $2^R$  transfers. If the current channel  $c$  has the highest priority, the cycle continues at step 1.
3. The controller sets `dma_done[c]` signal for this channel HIGH for one system clock cycle. This indicates to the host processor that the DMA cycle is complete.

#### 16.3.3.4 Ping-pong cycle

In this mode, the controller performs a DMA cycle using one of the data structures and then performs a DMA cycle using the other data structure. The controller continues to switch between primary and alternate structures until it either reads a data structure that is invalid, or until the user reprograms the `cycle_type` to basic, or until the host processor disables the channel.

In ping-pong mode, the user can program or reprogram one of the two channel data structures (primary or alternate) while using the other channel data structure for the active transfer. When a transfer is done, the next transfer can be started immediately using the prepared channel data structure - provided that a higher priority channel does not require servicing. If the user does not reprogram the channel control data structure not in use for a transfer, the cycle type remains invalid (which is the value at the end of the last transfer using that structure) and the ping-pong cycle completes.

The ping-pong cycle can be used for transfers to or from peripherals or for memory-to-memory transfers.

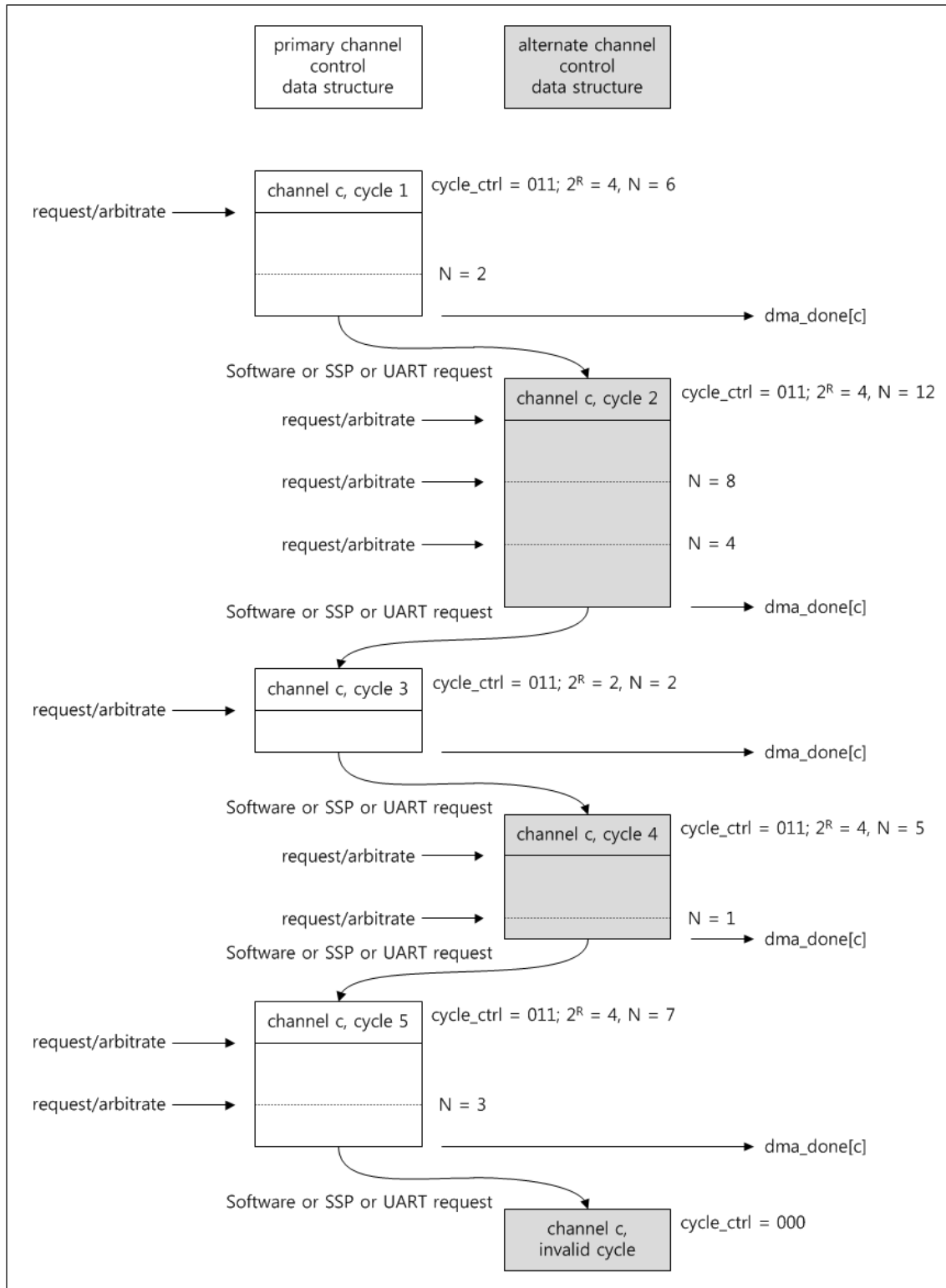


Figure 21. DMA ping pong cycle

## 17 Analog-to-digital converter (ADC)

### 17.1 Introduction

ADC is a 12bit analog-to-digital converter. It has up to 9 multiplexed channels allowing it to measure signals from 8 externals and 1 internal source.

ADC of various channels can be performed in single mode. The result of the ADC is stored in 12 bit register.

### 17.2 Features

- 12bit configuration resolution
- Conversion time : Max 10MHz (Sampling time can be programmable)
  - 8 channel for external analog inputs
    - CH0 : PC\_15
    - CH1 : PC\_14
    - CH2 : PC\_13
    - CH3 : PC\_12
    - CH4 : PC\_11
    - CH5 : PC\_10
    - CH6 : PC\_09
    - CH7 : PC\_08
  - 1 channel for internal LDO(1.5v) voltage.
    - CH15 : Internal voltage
- Start of conversion can be initiated by software.
- Convert selected inputs once per trigger.
- Interrupt generation at the end of conversion.

## 17.3 Functional description

Figure 22 shows the ADC block diagram.

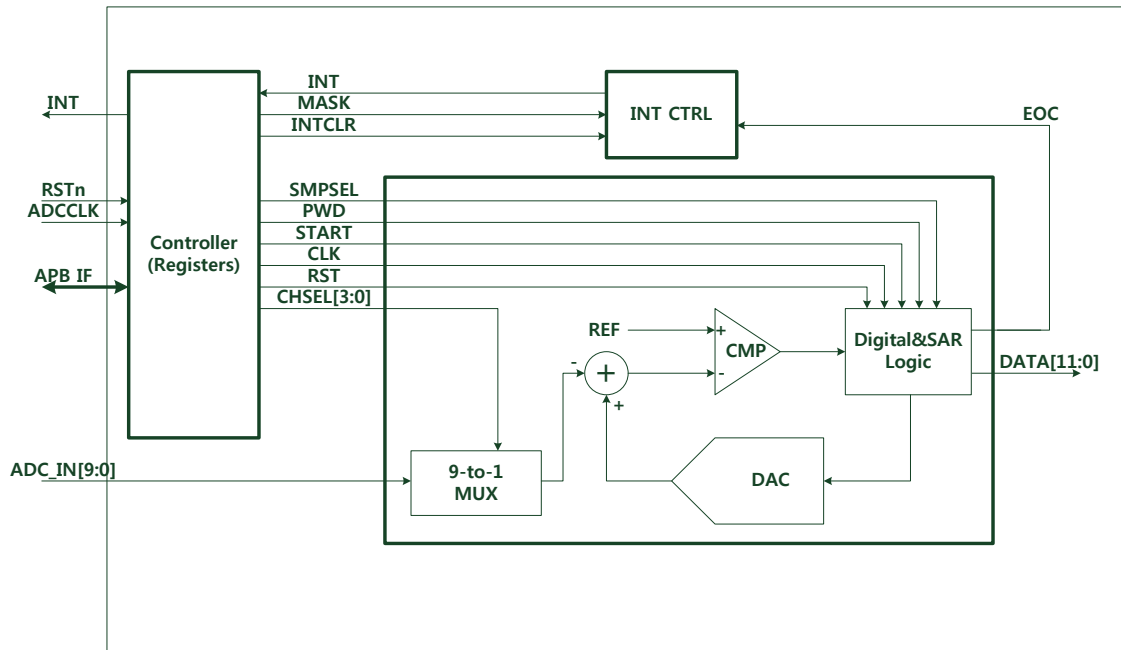


Figure 22. ADC block diagram

### 17.3.1 Operation ADC with non-interrupt

Figure 23 shows the flowchart of ADC operation with non-interrupt.

ADC can be used as below:

1. ADC needs to be initialized before operation.  
To initialize the ADC, clear the PWD bit first.
2. Select the ADC channel from 0 to 7 and 15 (initial core voltage).
3. Run start ADC conversion by set ADC\_SRT bit.
4. Check INT bit to know finish of conversion.
5. If INT bit is high (1), read ADC conversion data.
6. Finally, ADC operation is finished by setting the PWD bit.

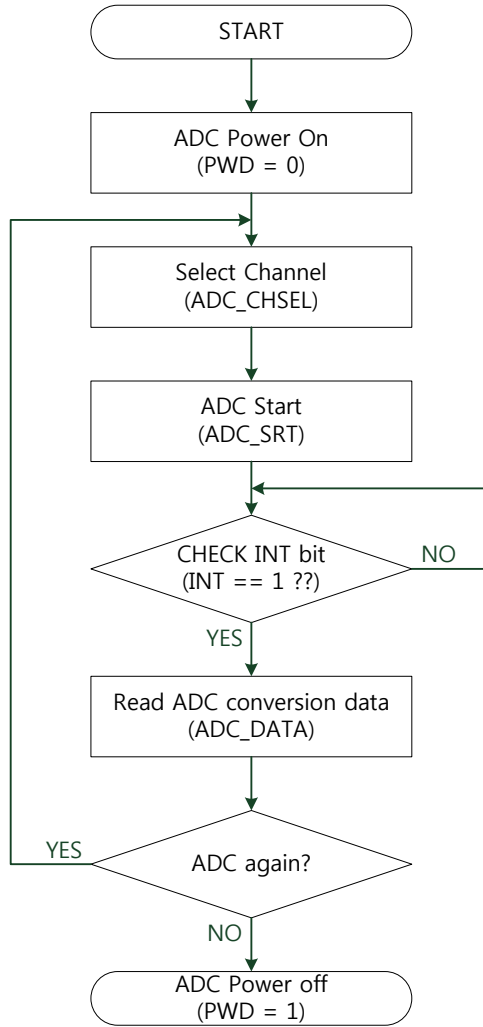


Figure 23. The ADC operation flowchart with non-interrupt



### 17.3.2 Operation ADC with interrupt

Figure 24 shows the flowchart of ADC operation with interrupt.

Operation is almost the same as the non-interrupt mode except checking INT register to know when enabling interrupt mask bit and conversion is completed.

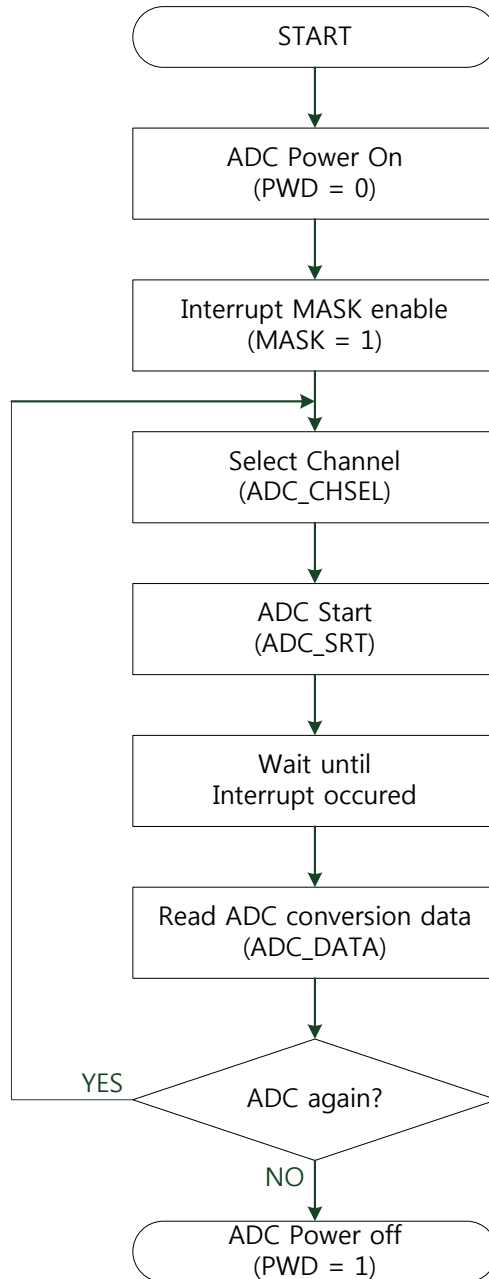


Figure 24. The ADC operation flowchart with interrupt

## 18 Pulse-Width Modulation (PWM)

### 18.1 Introduction

The PWM consists a 8-channel 32-bit Timer/Counter driven by a programmable prescaler. The function of the PWM is based on the basic Timer. Each timer and counter runs independently.

The PWM can be used to control the width of the pulse, formally the pulse duration, to generate output waveform or to count the counter triggered by external input.

### 18.2 Features

- Counter or Timer operation can use the peripheral clock, external clock source, or one of the capture inputs as the clock source.
- Eight independent 32-bit Timer/Counter driven by a programmable 6 bits prescaler runs as the PWM or standard timer if the PWM mode is not enabled.
- Eight PWM output waveforms.
- Each of Timer/Counter can have different or same clock source.
- Counter or timer operation.
- Eight capture registers that can take the timer value when an external input signal. A capture event can generate an interrupt signal optionally.
- 32-bit match register and limit register.

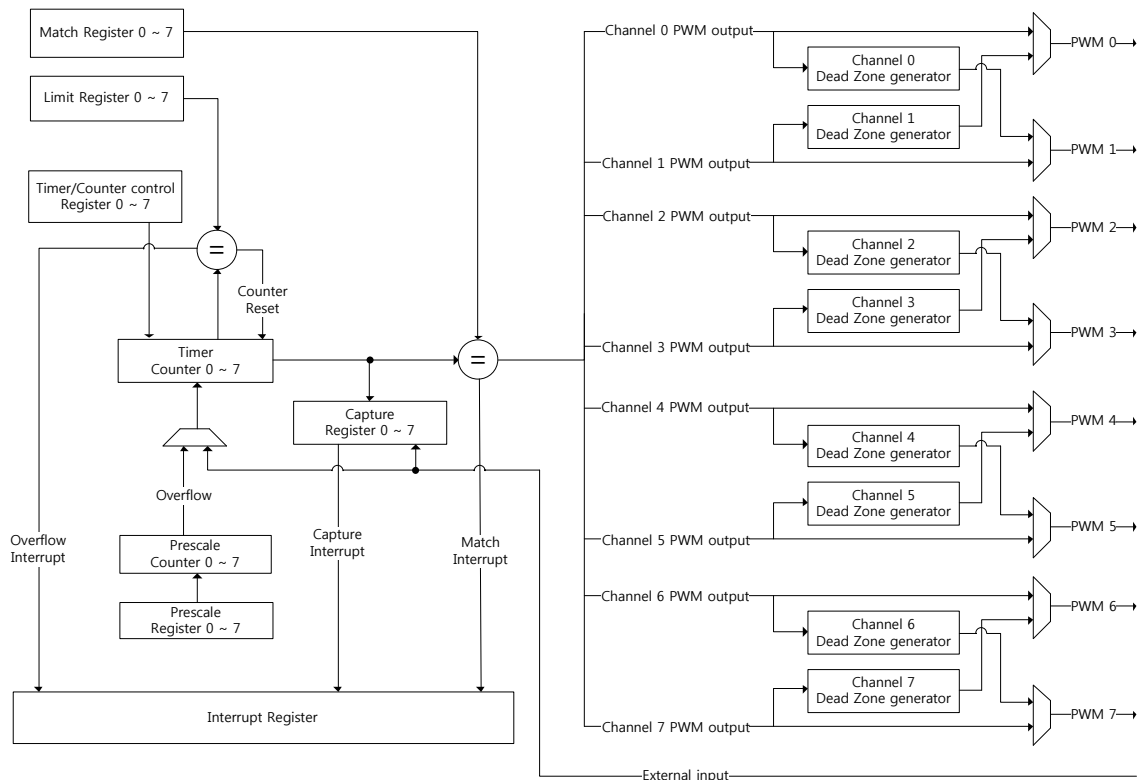


Figure 25. PWM block diagram

## 18.3 Functional description

### 18.3.1 Timer/Counter control

The PWM has Start/Stop register. It controls start or stop of the Timer/Counter. If you set this register, the Timer/Counter starts to run. If you reset this register, the Timer/Counter stops immediately. Also there is a pause register. The pause register is used to stop temporarily after one period. Although you set this register while the Timer/Counter is running, the Timer/Counter will stop when the period ends.

The registers of PWM can be updated when it stops or pauses. Users cannot update the registers while PWM is running.

### 18.3.2 Timer/Counter

The PWM has 8 Timer/Counter clocks, which can be divided by a prescaler. Each Timer/Counter runs independently. The Timer/Counter is designed to count cycles of the clocks or external input signal and generate interrupts when specified timer values are occurred based on match register and limit register. The Timer/Counter can count up or down.

The PWM has match registers and limit registers. The match registers control the duty cycle of PWM output waveform. The limit registers control the period of the PWM output waveform. The Timer/Counter becomes 0 when it reaches value of the limit register. If PDMR(Periodic Mode Register) is set, the Timer/Counter counts repeatedly and if PDMR is reset, the Timer/Counter stops counting.

Match register should be smaller than limit register(LR). If not, match interrupt is not occurred and PWM output waveform is always 1.

#### Repetition mode

The Timer/Counter has two repetition mode: periodic and one-shot mode. In periodic mode, the Timer/Counter recycles and then restarts when the Timer/Counter reaches the value of limit register. Figure 26 shows periodic mode timing diagram.

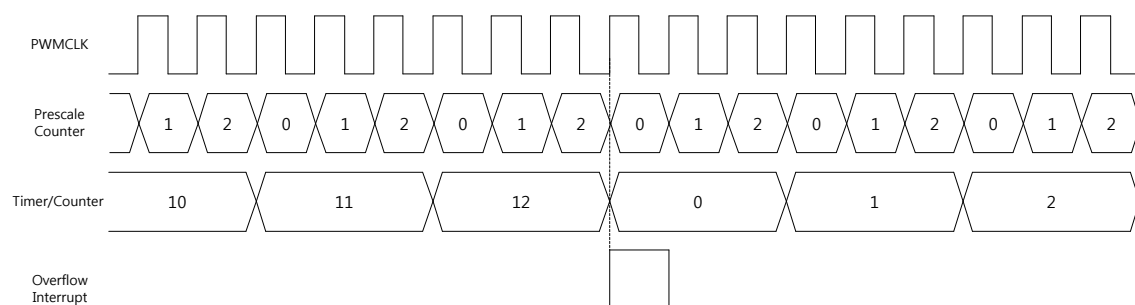


Figure 26. Periodic mode

In one-shot mode, the Timer/Counter resets to the initial value and then stops when the Timer/Counter reaches the value of limit register. Figure 27 shows one-shot mode timing diagram.

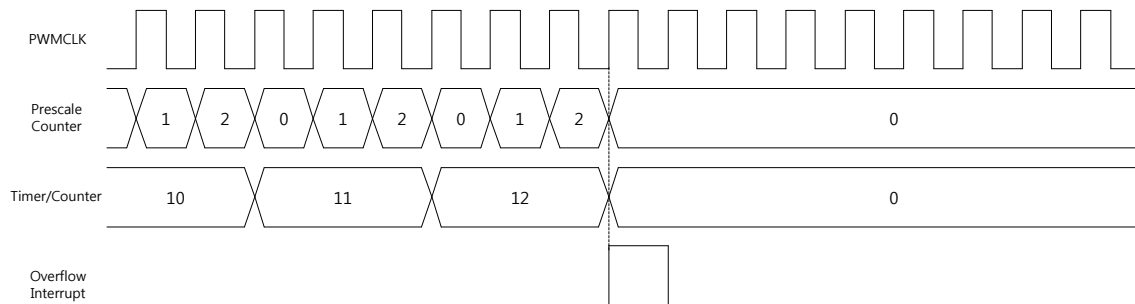


Figure 27. one-shot mode

### Counting mode

The Timer/Counter has two counting mode: Up-count and Down-count mode. In up-count mode, the Timer/Counter counts up from 0 to the limit register value and then recycles. If repetition mode is periodic, the Timer/Counter restarts and if repetition mode is one-shot mode, the Timer/Counter stops. Figure 28 shows up-count mode timing diagram.

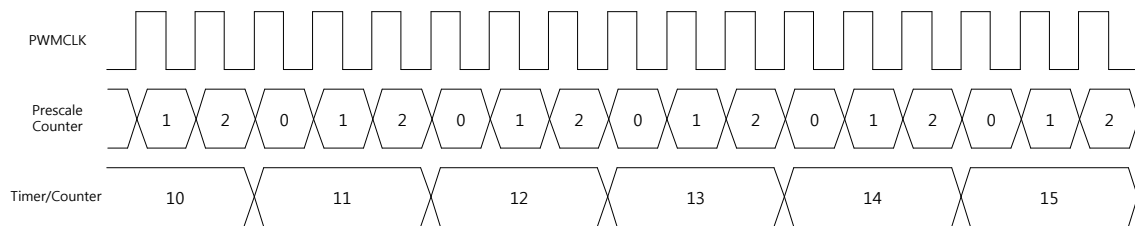


Figure 28. Up-count mode

In Down-count mode, the Timer/Counter counts from 0xFFFF\_FFFF, then recycles. If repetition mode is periodic, the Timer/Counter restarts and if repetition mode is one-shot mode, the Timer/Counter stops. Figure 29 shows down-count mode timing diagram.

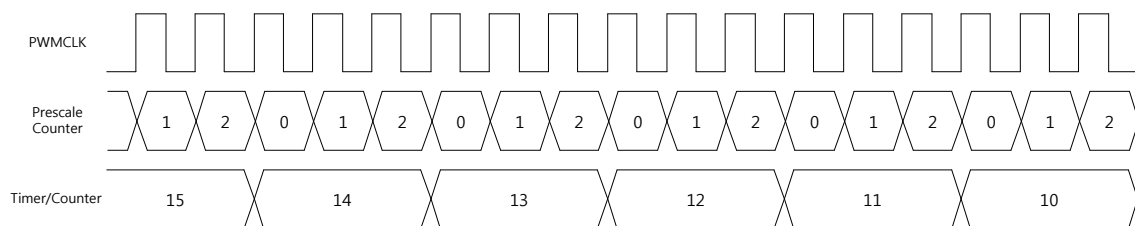


Figure 29. Down-count mode

### Timer and Counter mode

The Timer/Counter can run in timer mode or counter mode. In timer mode, the Timer/Counter is counted by PWMCLK after Prescale counter is overflowed. If prescale is set by 0, the Timer/Counter counts every PWMCLK period. In counter mode, the Timer/Counter is counted by external input signal. There are three counting method: rising edge, falling edge, and both

edge. The counter mode has up-count or down-count mode and also has periodic or one-shot mode. The external input pin and PWM output pin are the same, so PWM output is disabled in counter mode.

Figure 30 is counter mode example with rising edge mode,

Figure 31 is with falling edge mode and

Figure 32 is with both rising and falling edge mode.

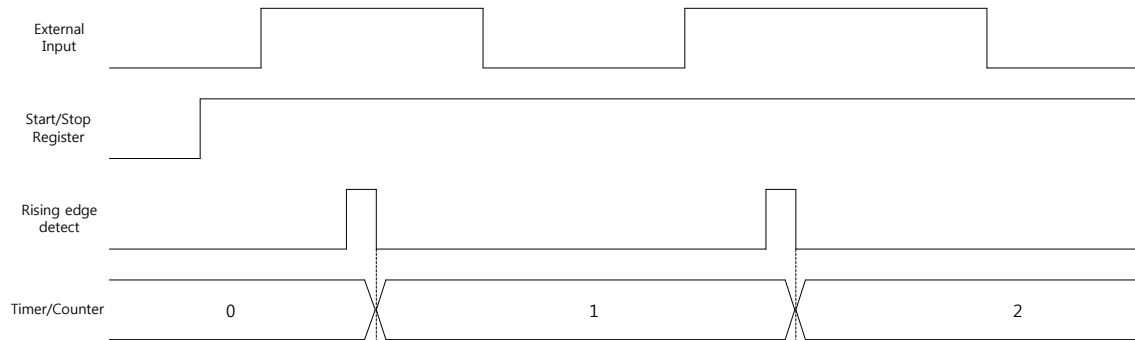


Figure 30 Counter mode with rising edge

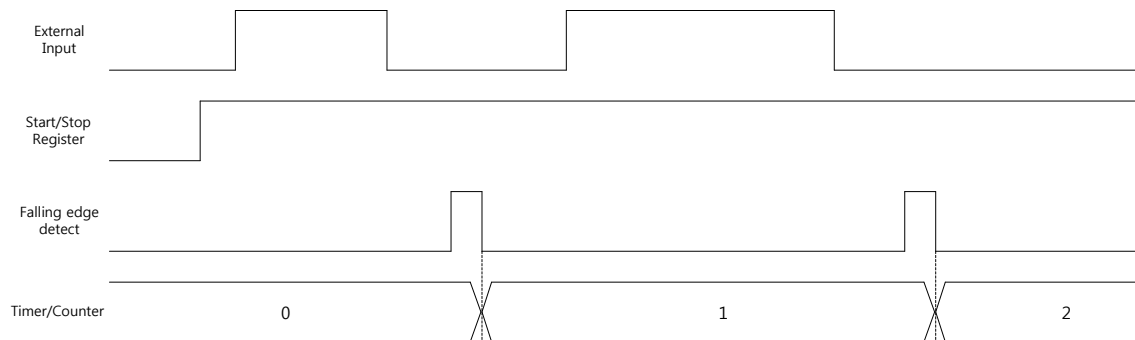


Figure 31 Counter mode with falling edge

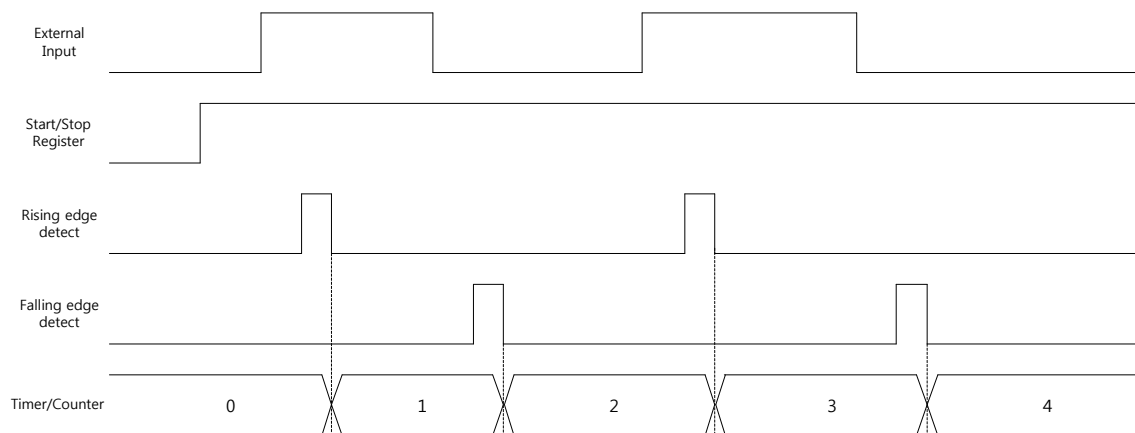


Figure 32 Counter mode with rising and falling edge

## Prescaler description

The PWM has 6-bit prescale counter(PC) and the prescaler can divide the Timer/Counter clock frequency. Users can control it by Prescale Register(PR).

Figure 33 and Figure 34 shows some examples of the Timer/Counter timing with prescale register is 2, match register is 2, limit register is 12, timer mode, periodic mode, up-count mode, and no interrupt clear.

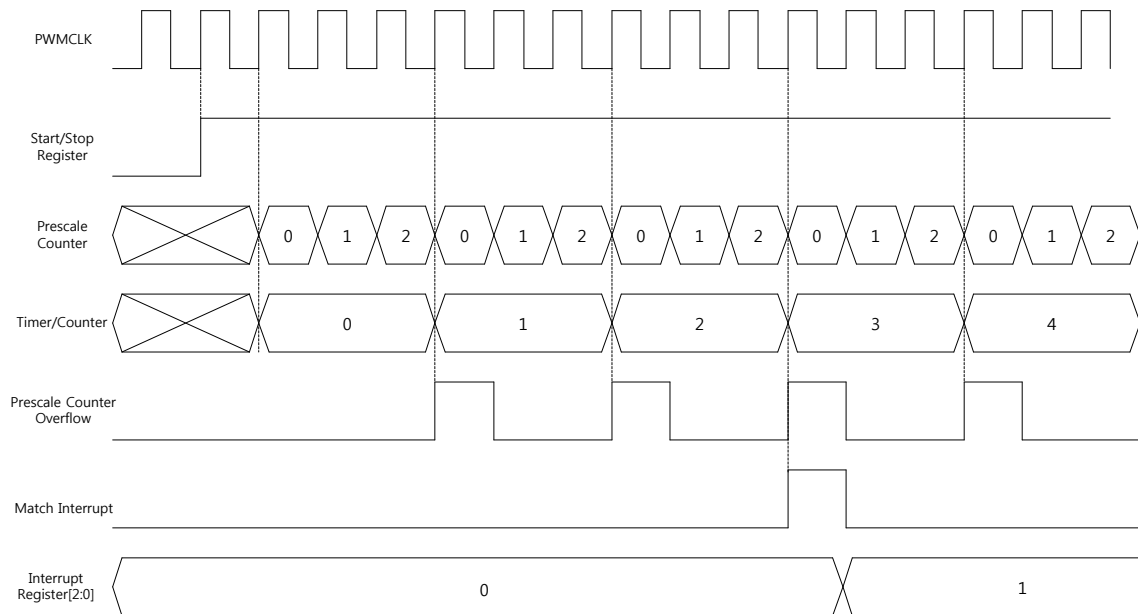


Figure 33 Timer/Counter timing diagram with match interrupt

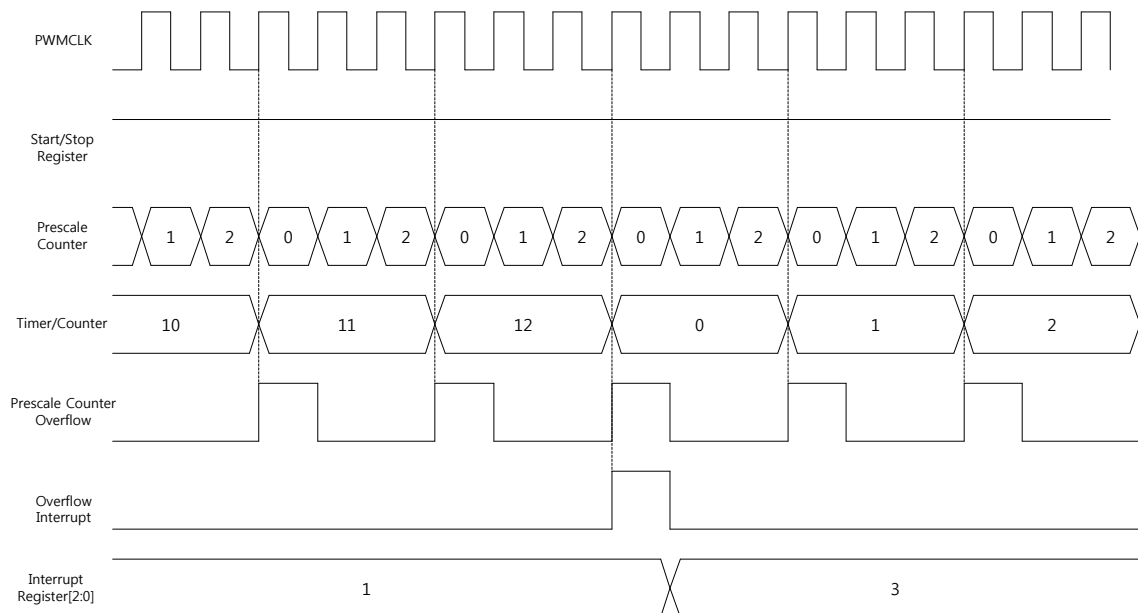


Figure 34 Timer/Counter timing diagram with overflow interrupt

### 18.3.3 PWM mode

Pulse Width Modulation mode generates a waveform with a period determined by the value of limit register and a duty cycle determined by the value of the match register.

The PWM output becomes always 1 when the Timer/Counter starts to count. Then the PWM output becomes 0 when the Timer/Counter reaches the value of match register. If the Timer/Counter is in periodic mode, the PWM output becomes 1 again when the Timer/Counter reaches the value of limit register. In one-shot mode, the PWM output does not change to 1 but stays 0 and the Timer/Counter stops.

The PWM mode can be selected independently on each channel(0-7) by PWM output enable and external input enable register. The external input pin and PWM output pin are the same, so external input is disabled in PWM mode.

Figure 35 is an example of the PWM output waveform when the Timer/Counter is reached to the value of match register.

Figure 36 is example of the PWM output waveform when to the Timer/Counter is reached to the value of limit register.

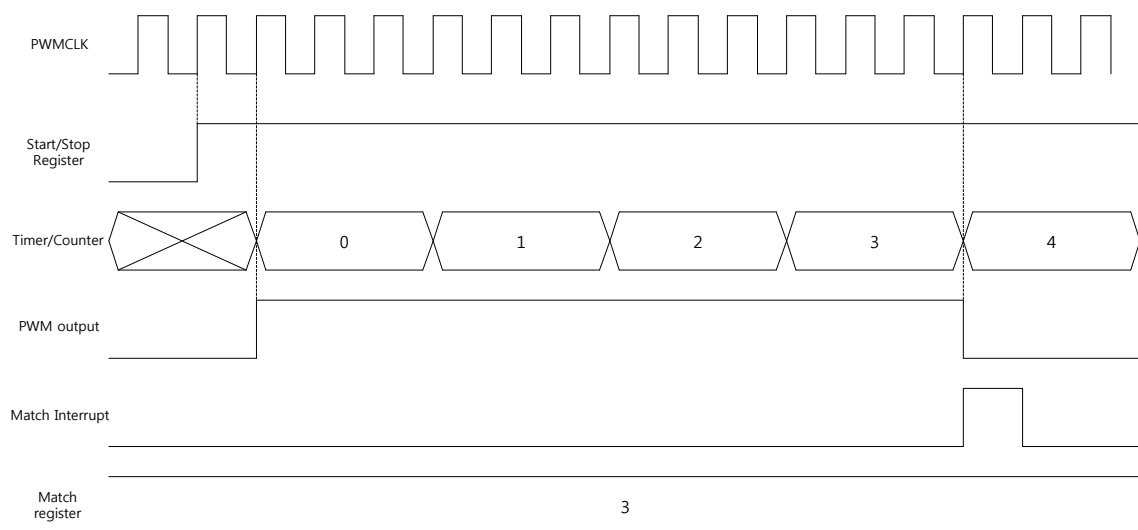


Figure 35 The PWM output up to match register

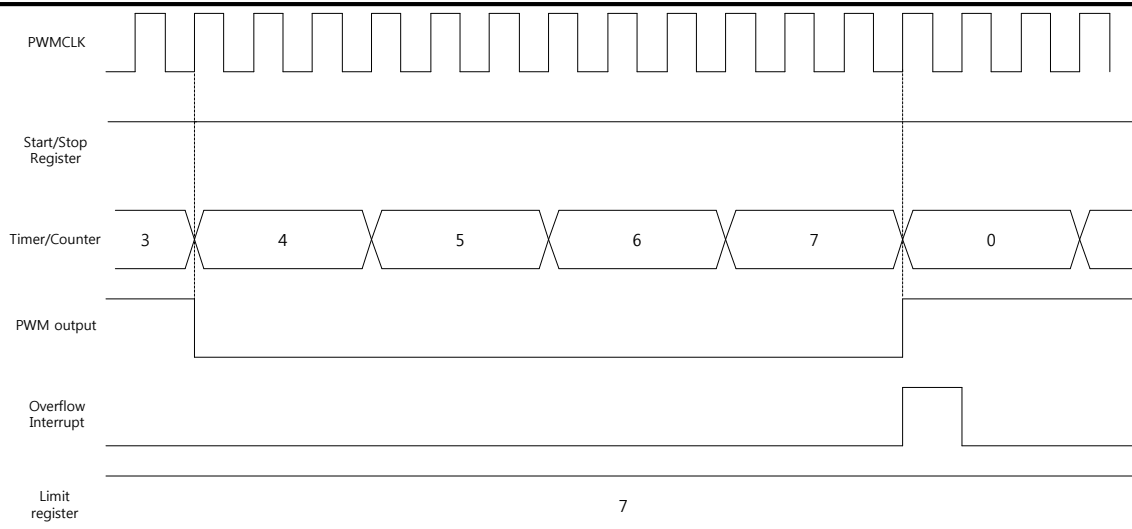


Figure 36 The PWM output up to limit register

If match register is set as 0, the PWM output will be 1 while the Timer/Counter is 0.

If the match register is bigger than the limit register, the PWM output is always 1.

### 18.3.4 Interrupt

The PWM has 8-bit interrupt enable register(IER) and each bit of IER corresponds to each interrupt of channel. Each PWM channel has Channel-n Interrupt Enable register(CHn\_IER). The CHn\_IER includes three types of interrupt: match, overflow, and capture. The match interrupt occurs when the Timer/Counter is reached to value of match register. The overflow interrupt occurs when the Timer/Counter is reached to value of limit register. The capture interrupt occurs when external input is entered for capture.

If interrupt occurs, corresponded bit of Channel-x interrupt register(CHn\_IR) bit is set and PWM channel-n interrupt signal is generated. All CHn\_IR is cleared by channel-n interrupt clear register(CHn\_ICR) and then PWM channel-n interrupt signal is cleared.

### 18.3.5 Dead zone generation

Each PWM channel can output two complementary signals with dead zone time and it can be enabled by Channel-n Dead Zone Enable Register(CHn\_DZER). Only 4 channels can be enabled because there are 8 PWM output pins. Channel 0 and 1 are a pair, channel 2 and 3 are a pair, channel 4 and 5 are a pair, and channel 6 and 7 are a pair. If users want to use channel-0 dead zone generation, channel-1 should be disabled. If channel 0 and 1 dead zone generation are enabled both, all outputs are 0. In that case, users should choose 1 channel.

Dead zone time are generated by the value of Channel-n Dead Zone Counter Register(DZCR). The dead zone counter counts up to value of DZCR. During the dead zone time, both



complementary signals are both 0. Users have to adjust the signal depending on the devices that are connected to the outputs and their characteristics. If DZCR is bigger than the limit register, main output signal is toggled 0 to 1 and then 1 to 0 while 1 PWMCLK and inverted output signal is always 0.

Figure 37 shows two complementary PWM outputs with dead zone time. During dead zone time, both outputs are 0. Figure 38 shows a more detailed timing with dead zone counter. The dead zone counter and the Timer/Counter starts to count together and PWM output is 0 until dead zone counter is reached to value of dead zone counter register. The PWM output becomes 1 and 0 when the Timer/Counter is reached to value of match register. The inverted PWM output is also 0 until dead zone counter is reached to value of dead zone counter register. Then inverted PWM output becomes 1 after dead zone counter is reached to the value of dead zone counter register.

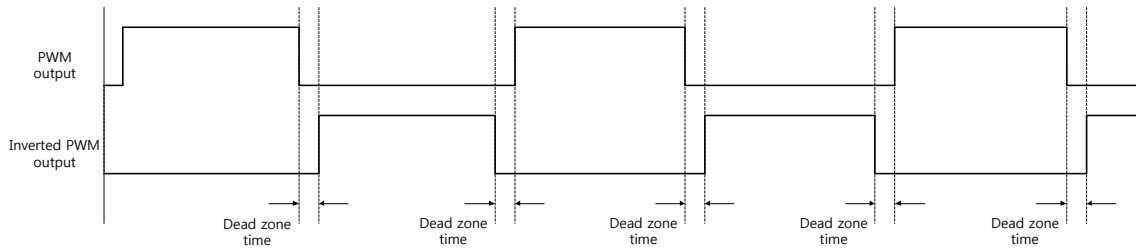


Figure 37 PWM waveform with dead zone time

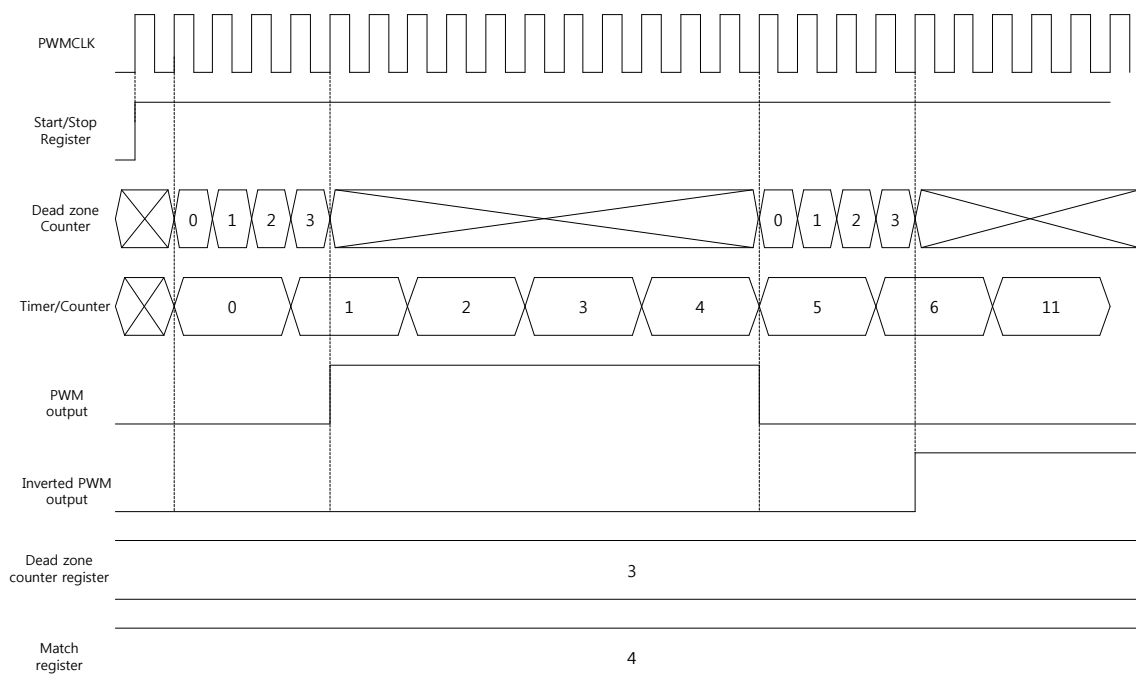


Figure 38 PWM waveform with dead zone counter

### 18.3.6 Capture event

Each PWM channel can capture its Timer/Counter value when an external input signal changes. Any channel could use any method of rising or falling edges. If capture interrupt is enabled, capture interrupt occurs when the external input signal is toggled. The Timer/Counter value is saved in Channel-n Capture Register(CHn\_CR) and the capture register is not overwritten until capture interrupt is cleared. Figure 39 shows the capture event timing diagram. There is no interrupt clear, so second capture does not save during second rising edge detection.

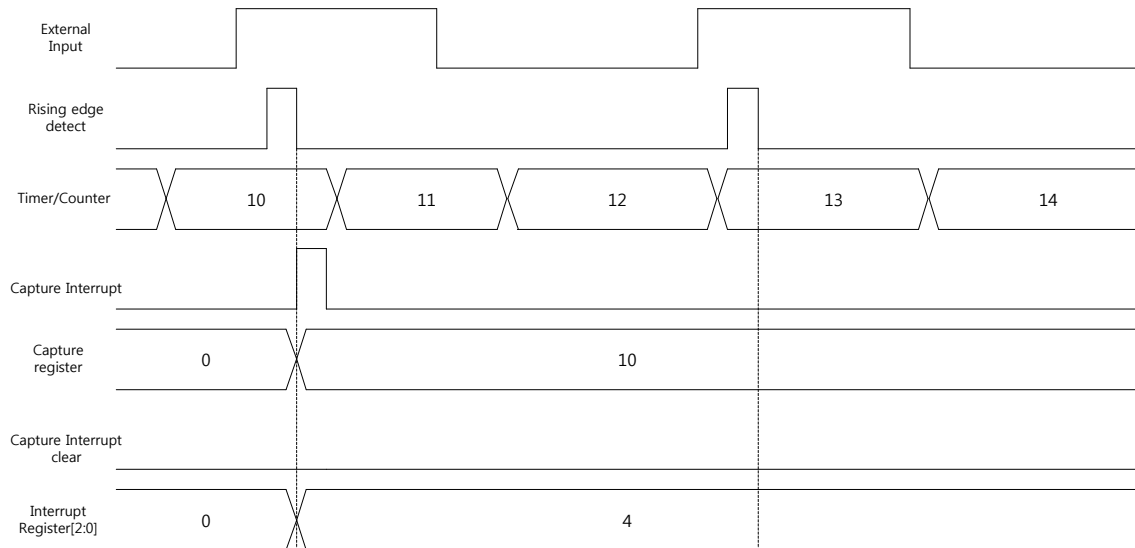


Figure 39 Capture event with no interrupt clear

Figure 40 shows, the capture event timing diagram with interrupt clear. The second capture is saved at the second rising edge detection because there is interrupt clear.

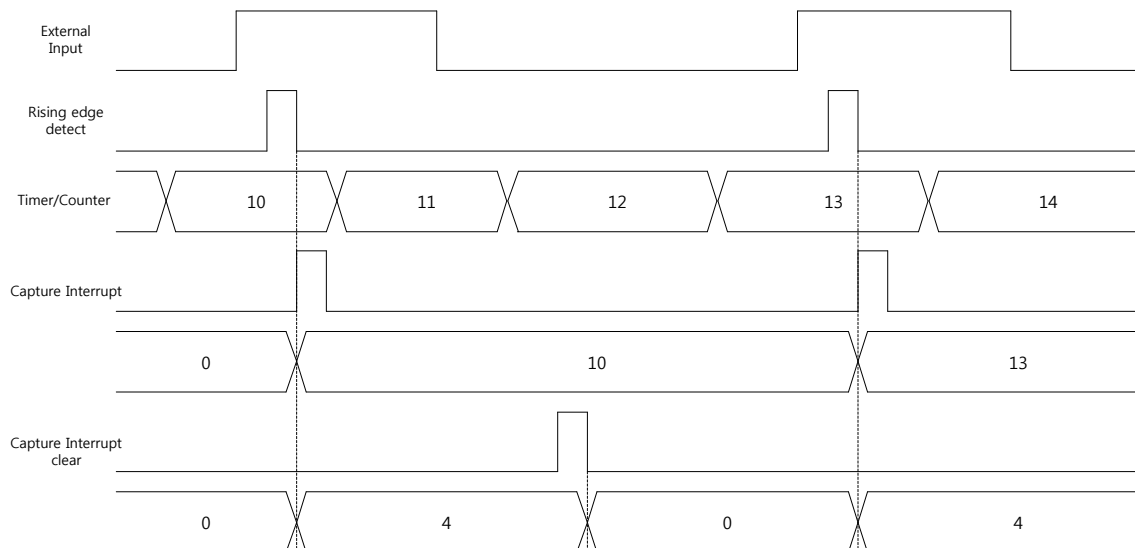


Figure 40 Capture event with interrupt clear

### 18.3.7 How to set the PWM

Figure 41 shows the PWM setting flow step by step.

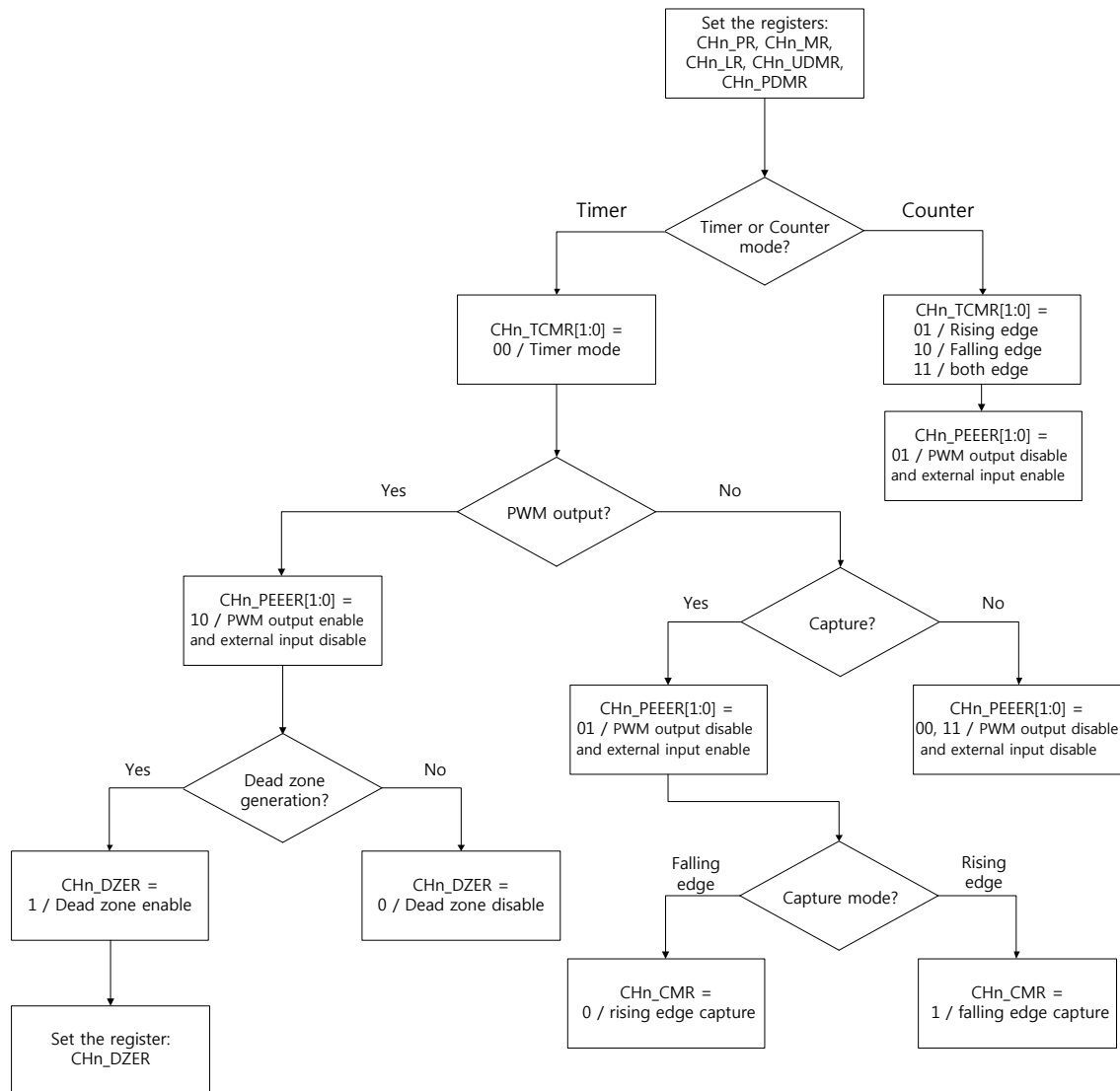


Figure 41. The PWM setting flow

## 19 Dual timers

### 19.1 Introduction

The dual timer consists two programmable 32-bit or 16-bit Free-running counters(FRCs) that can generate interrupts when they reach 0. There are two dual timers and 4 FRCs. One dual timer has one interrupt handler, resulting in two interrupts of timers. Also one dual timer has one clock but two clock enable signals. Users can select one repetition modes one-shot or wrapping mode, and wrapping mode consists free-running and periodic mode. Two FRCs are one set so two FRCs has one clock, reset, and interrupt but each FRC has an individual clock enable.

### 19.2 Features

- One dual timer has two Free-Running Counters(FRCs).
- One dual timer has one interrupt handler and one clock.
- One dual timer has two clock enable signals.
- There are 2 dual timers.
- A 32-bit or a 16-bit down counter.
- One of the following repetition modes: one-shot and wrapping mode.
- One of the following wrapping modes: Free-running and periodic mode.
- There is a prescaler that can divide down the clock rate by 1, 16, or 256.

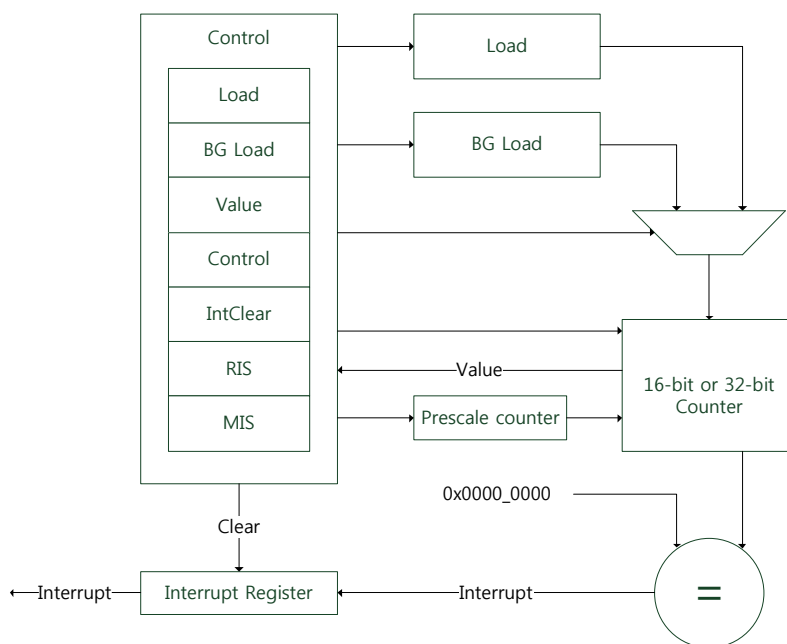


Figure 42 Block diagram of Dualtimer

## 19.3 Functional description

### 19.3.1 Clock and clock enable

The dual timers contain PCLK and TIMERCLK clock inputs. PCLK is the main APB system clock and is used by the register interface. TIMERCLK is the input to the prescale units and the decrementing counters. PCLK and TIMERCLK are synchronous.

The dual timers consist two programmable 32-bit Free-Running Counters(FRC) which operate independently. The two timers operate from one TIMERCLK but Each FRC is controlled independently by individual clock enable.

### 19.3.2 Timer size

Users can select FRC as 16-bit or 32-bit using the control register.

### 19.3.3 Prescaler

The timer has a prescaler that can divide down the enabled clock rate by 1, 16 or 256.

### 19.3.4 Repetition mode

There are two repetition mode: one-shot and wrapping mode. Wrapping mode has two modes: free-running and periodic mode.

#### One-shot mode

The counter generates an interrupt once. When the counter reaches 0, it halts until users reprogram it. Users can do this as below:

- Clear the one-shot count bit in the control register, in which case the count proceeds according to the selection of wrapping mode(free-running or periodic mode).
- Write a new value to the Load Value register.

#### Wrapping mode

##### Free-running mode

The counter wraps after reaching its zero value, and continues to count down from the maximum value. This is the default mode.

##### Periodic mode

The counter generates an interrupt at a constant interval, reloading the original value after wrapping past zero.

### 19.3.5 Interrupt

An interrupt is generated when the counter reaches 0 and is only cleared when the interrupt clear register is accessed.

The register holds the value until the interrupt is cleared.

Users can mask interrupts by writing 0 to the Interrupt Enable bit in the control register. Users can read the following from status registers:

- Raw interrupt status before masking.
- Final interrupt status after masking.

The interrupts from the individual timers after masking are logically ORed into a combined interrupt.

### 19.3.6 Operation

The operation of each timer is identical. The timer is loaded by writing to the load register and counts down to 0 if enabled. When a counter is already running, writing to the load register causes the counter to immediately restart at the new value. Writing to the background load value has no effect on the current count. In periodic mode, the counter continues to decrease to 0 and restart from the new load value.

An interrupt is generated when 0 is reached. Users can clear the interrupt by writing to the clear register. If users select one-shot mode, the counter halts when it reaches 0 until users deselect one-shot mode or write a new load value.

Otherwise, after reaching a zero count, if the timer is operating in free-running mode, it continues to decrease from its maximum value. If users select periodic mode, the timer reloads the count value from the load register and continues to decrease. In this mode, the counter effectively generates a periodic interrupt.

### 19.3.7 How to set the dual timers

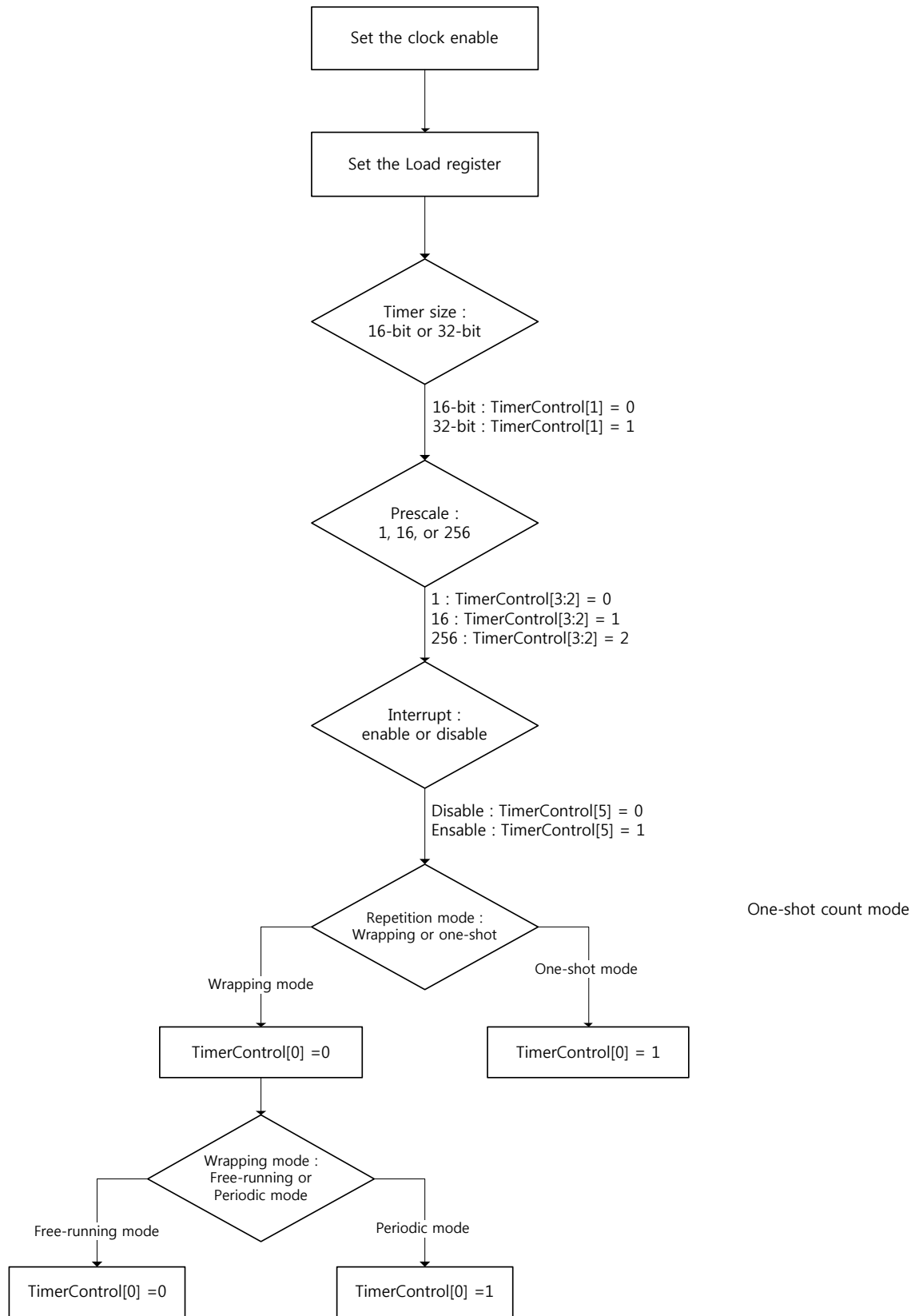


Figure 43 The Dual timer setting flow

## 20 Watchdog timer

### 20.1 Introduction

The watchdog is based on a 32-bit down-counter that is initialized from the Reload Register, WDTLoad. The watchdog generates a regular interrupt depending on a programmed value. The counter decreases by one on each positive clock edge of watchdog clock.

The watchdog monitors the interrupt and asserts a reset request signal when the counter reaches 0 and the counter is stopped. On the next enabled watchdog clock edge, the counter is reloaded from the WDTLoad Register and the countdown sequence continues. The watchdog reasserts the reset signal if the interrupt is not cleared by the time the counter next reaches 0.

The watchdog applies a reset to a system in the event of a software failure to provide a way to recover from software crashes. Users can enable or disable the watchdog unit as required.

### 20.2 Features

- 32-bit down counter.
- Internally resets chip if not periodically reloaded.
- The watchdog timer has lock register for to prevent rogue software from disabling the watchdog timer functionality.
- The watchdog timer clock(WDTCLK) and system clock(PCLK) are synchronous.

### 20.3 Functional description

#### 20.3.1 Clock

The watchdog timer contains PCLK and WDTCLK clock inputs.

PCLK is the main APB system clock and is used by the register interface.

#### 20.3.2 Interrupt and reset request

An interrupt is generated when the counter reaches 0 and is only cleared when the interrupt clear register is accessed.

The register holds the value until the interrupt is cleared.

Reset request is asserted when the counter reaches 0 repeatedly and is not reprogrammed.



Users can mask interrupts by writing 0 to the Interrupt Enable bit in the control register.

Users can read the following from status registers:

- Raw interrupt status, before masking.
- Final interrupt status, after masking.

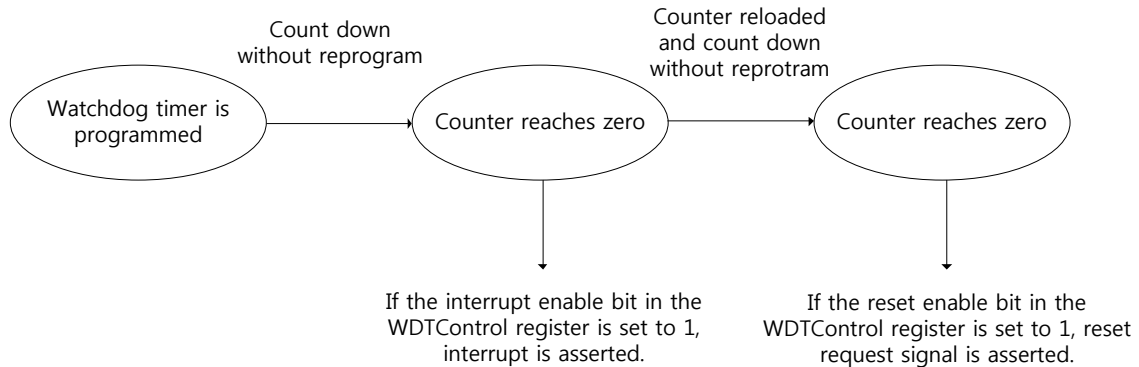


Figure 44. Watchdog timer operation flow diagram

## 21 Inter-integrated circuit interface (I2C)

### 21.1 Introduction

The  $I^2C$  (inter-integrated circuit) bus interface handles communications between the microcontroller and the serial  $I^2C$  bus. It supports standard speed mode(100Kbps).

### 21.2 Features

- Use APB interface
- Supports Slave and Master Mode
- Standard mode (up to 100 KHz)
- Supports 7 bit Slave address mode
- Start/Stop/Repeated Start detection
- Start/Stop/Repeated Start/Acknowledge generation
- Control the Read/Write operation
- General Call enable or disable
- Slave busy detection
- Repeated START

### 21.3 Functional description

$I^2C$  is comprised of both master and slave functions. For proper operation, the SDA and SCL pins must be configured as open-drain signals. A  $I^2C$  bus configuration is shown in Figure 45.

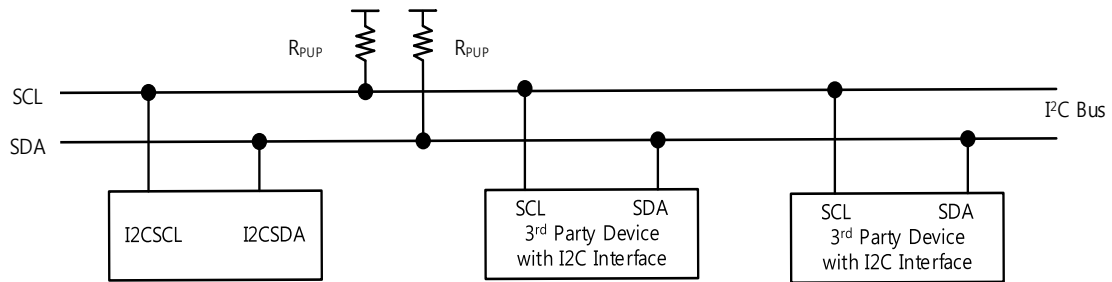


Figure 45. I2C Bus Configuration

Figure 46 shows the I2C block diagram.

In addition to receiving and transmitting data, this interface converts it from serial to parallel format and vice versa. The interrupt is enabled or disabled by software. The interface is connected to the  $I^2C$  bus by a data pin (SDA) and by a Clock pin (SCL). It can be connected with a standard (up to 100 KHz)  $I^2C$  bus.

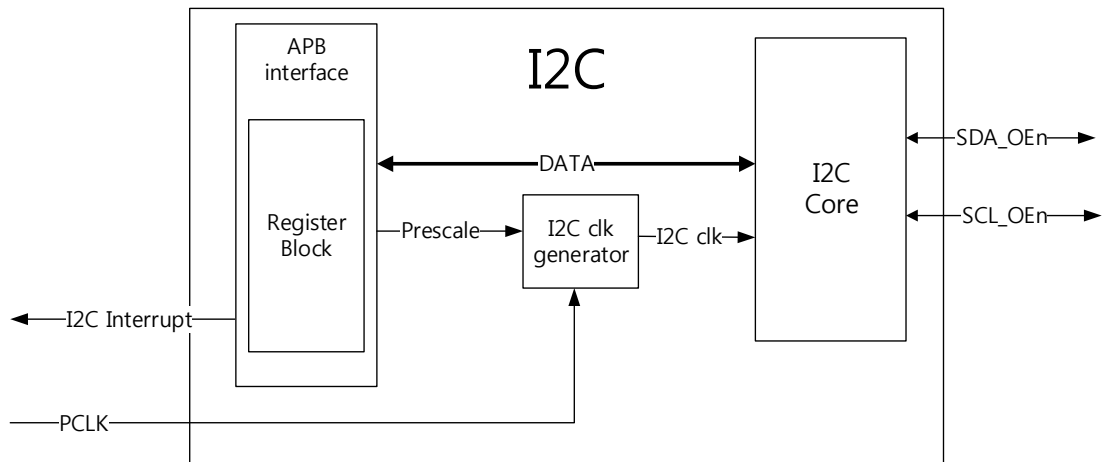


Figure 46. I2C block diagram

SDA is the bi-directions serial data line and SCL is the bi-directions serial clock line. The bus is considered idle when both lines are high. Every transaction on the  $I^2C$  bus is nine bits long, consisting of eight data bits and a single acknowledge bit and data must be transferred MSB first.

### 21.3.1 Data validity

The data on the SDA line must be stable during the HIGH period of the SCL. The HIGH or LOW state of the data line can only change when the clock signal on the SCL line is LOW (Figure 47). One clock pulse is generated for each data bit transferred.

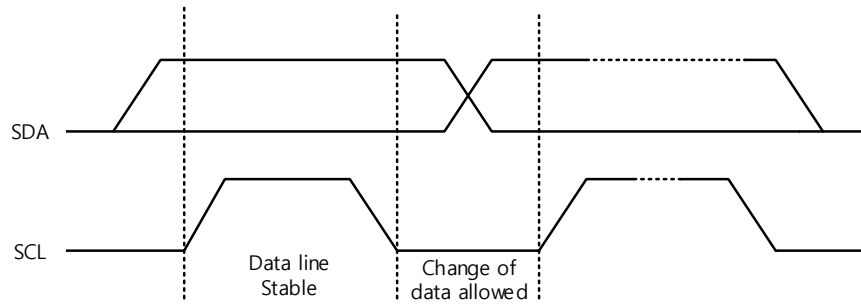


Figure 47. Data Validity

### 21.3.2 Acknowledge

All bus transactions have a required acknowledge clock cycle that is generated by the master. During the acknowledge cycle, the transmitter cannot operate the next operation.

### 21.3.3 Bit Command Controller

The Bit command Controller handles the actual transmission of data and the generation of the specific levels for START, STOP and Repeated START signals by controlling the SCL and SDA lines. The Byte Command controller tells the Bit command Controller which operation has to be performed. For a single byte read, the Bit command Controller receives 8 separate read command. Each bit-operation is divided into 5 pieces (idle and A,B,C, and D) except for a STOP operation which is divided into 4 pieces(idle and A, B,C)

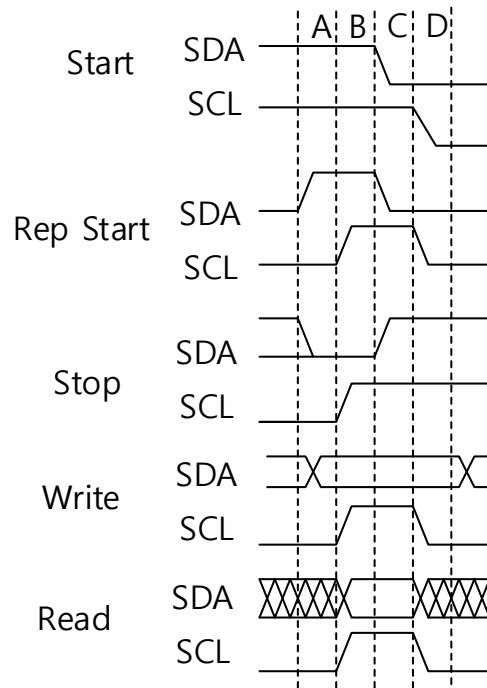


Figure 48. Bit Conditions

### 21.3.3.1 START and STOP Conditions

The protocol of the  $I^2C$  bus defines two states to START and STOP conditions.

A High to Low transition on the SDA line while SCL is High is one unique case and indicates a START condition. A Low to High transition on the SDA line while SCL is high defines a STOP condition.

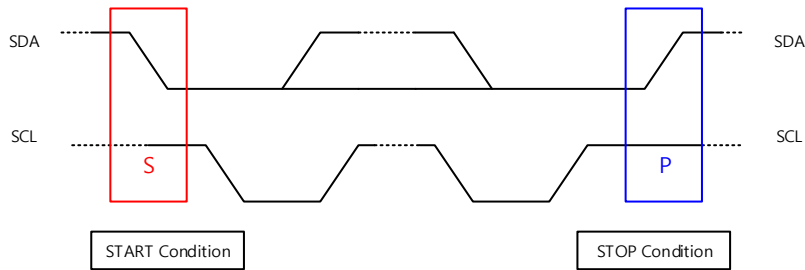


Figure 49. START and STOP Conditions

START and STOP conditions are always generated by the master.

This bus is considered to be again a certain time after the STOP condition. The bus stays busy if a Repeated START is generated instead of a STOP condition.

### 21.3.3.2 RESTART Condition

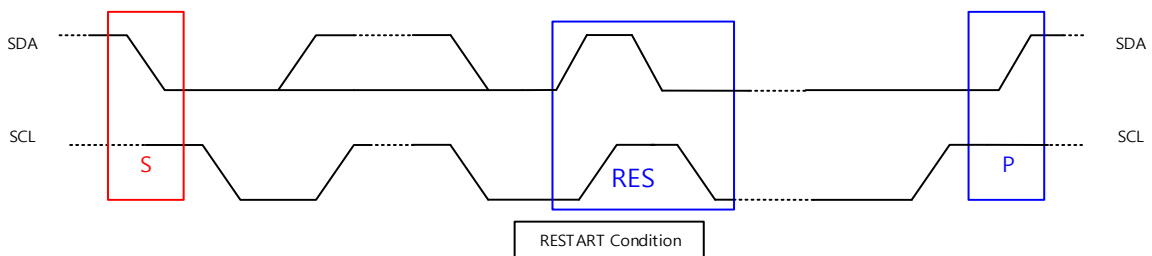


Figure 50. RESTART Condition

### 21.3.4 Slave address

The SDA line must be eight bits long.

Each byte must be followed by an Acknowledge bit.



Figure 51. 7-bit Slave address

### 21.3.5 Read/Write bit

This address is seven bits followed by an eight bit which is a data direction bit( $R/\overline{W}$ ) :

'0' indicates a WRITE, '1' indicates a READ

There are two methods of setting data direction bit by I2Cx\_CTR.

The 32-bits I2Cx\_CTR is reconfigured with COREEN, INTEREN, MODE, ADDR10, CTRRWN, CTREN.

### 21.3.6 Acknowledge(ACK) and Not Acknowledge(NACK)

The acknowledge bit takes place after every bytes. The acknowledge bit allows the receiver to signal the transmitter that the byte was successfully received and another byte may be sent.

The master generates all clock pulses, including acknowledge ninth clock.

### 21.3.7 Data transfer

The data transfer is managed through the shift, transmit data, and receive data registers.

Data transfers follow the format shown in Figure 52. After START condition, a Slave address is transmitted. If CTREN bit in the I2Cx\_CTR register is enable, LSB of Slave address (bit 0) is superseded by value of CTRRWN bit in the I2Cx\_CTR register.

If CTREN bit in the I2Cx\_CTR register is disable, LSB of slave address is used for Read/Write operation.

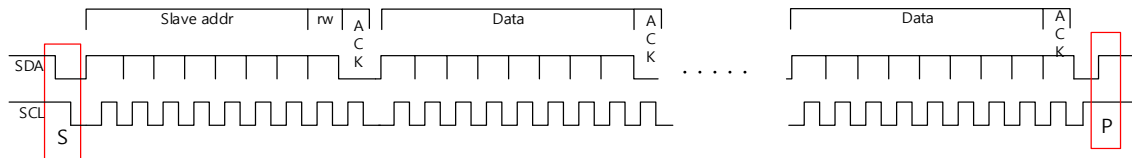


Figure 52. Complete Data Transfer with a 7-bit slave address

### 21.3.8 Operating Modes

The interface can operate in one of four following:

- Master Transmitter Mode
- Master Receiver Mode
- Slave Transmitter Mode
- Slave Receiver Mode

By default, it operates in slave mode. The interface switches from slave to master when it generates the mode bit in the I2Cx\_CTR. And COREEN bit in the I2Cx\_CTR must be switched from 1 to 0.

### In Master mode

#### Master Transmitter Mode:

In this mode, data is transmitted from master to slave before the master transmitter mode can be entered and I2Cx\_CTR must be initialized

#### Master Receiver Mode:

In this mode, data is received from slave to master before the master receive mode can be entered and I2Cx\_CTR must be initialized

### In Slave mode

#### Slave Transmitter Mode:

In this mode, data is transmitted from slave to master and setting of I2Cx\_SADDR must be done.

#### Slave Receiver Mode:

In this mode, data is received from master to slave before the master transmitter mode can be entered and setting of I2Cx\_SADDR must be done.

## 21.3.9 Interrupts

The  $I^2C$  can generate interrupt when the following conditions are observed:

- Start conditions on bus detected
- Stop conditions on bus detected
- Timeout error
- Master transaction completed
- Slave transaction received

$I^2C$  bus have separate interrupt signals.

## 21.3.10 Master mode

### 21.3.10.1 Initialization

Figure 53 shows the command sequences available for the  $I^2C$  master.

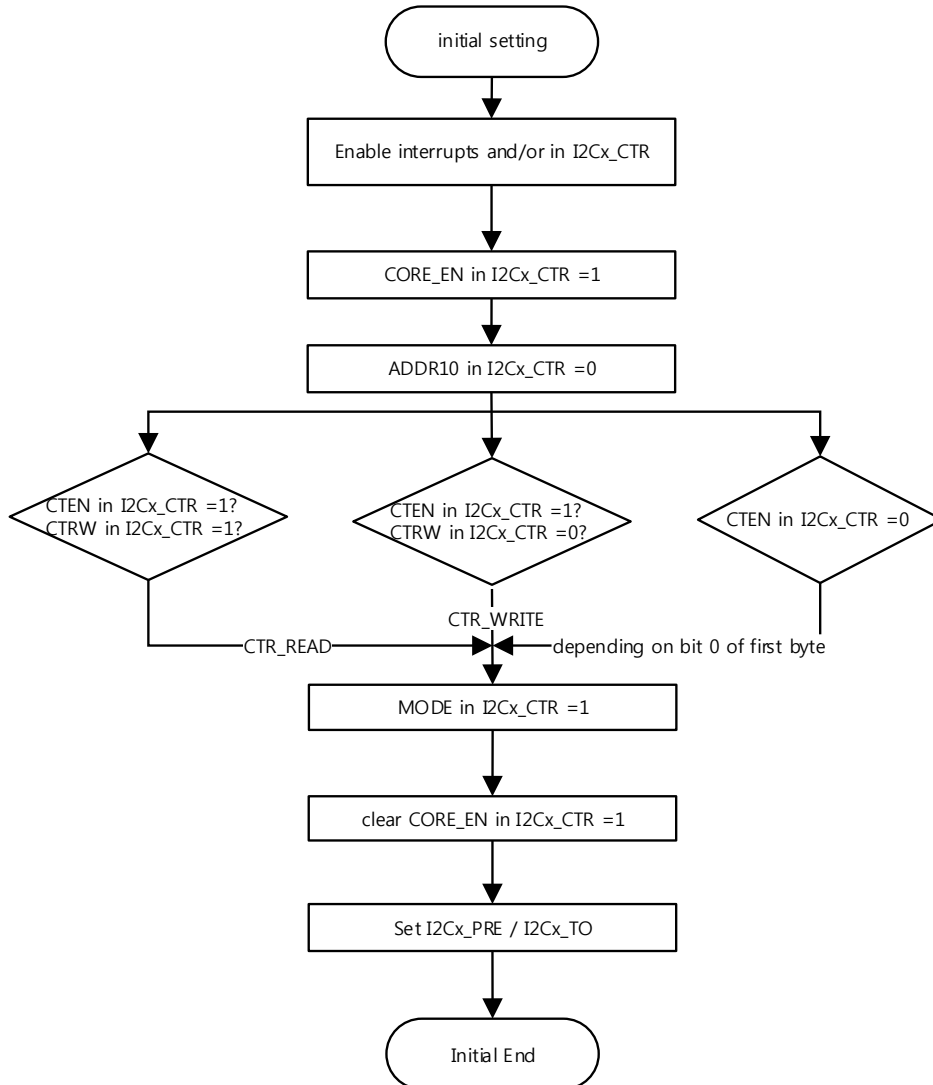


Figure 53. I2C initial setting

Figure 54 shows the master operation using a 7-bit slave address.

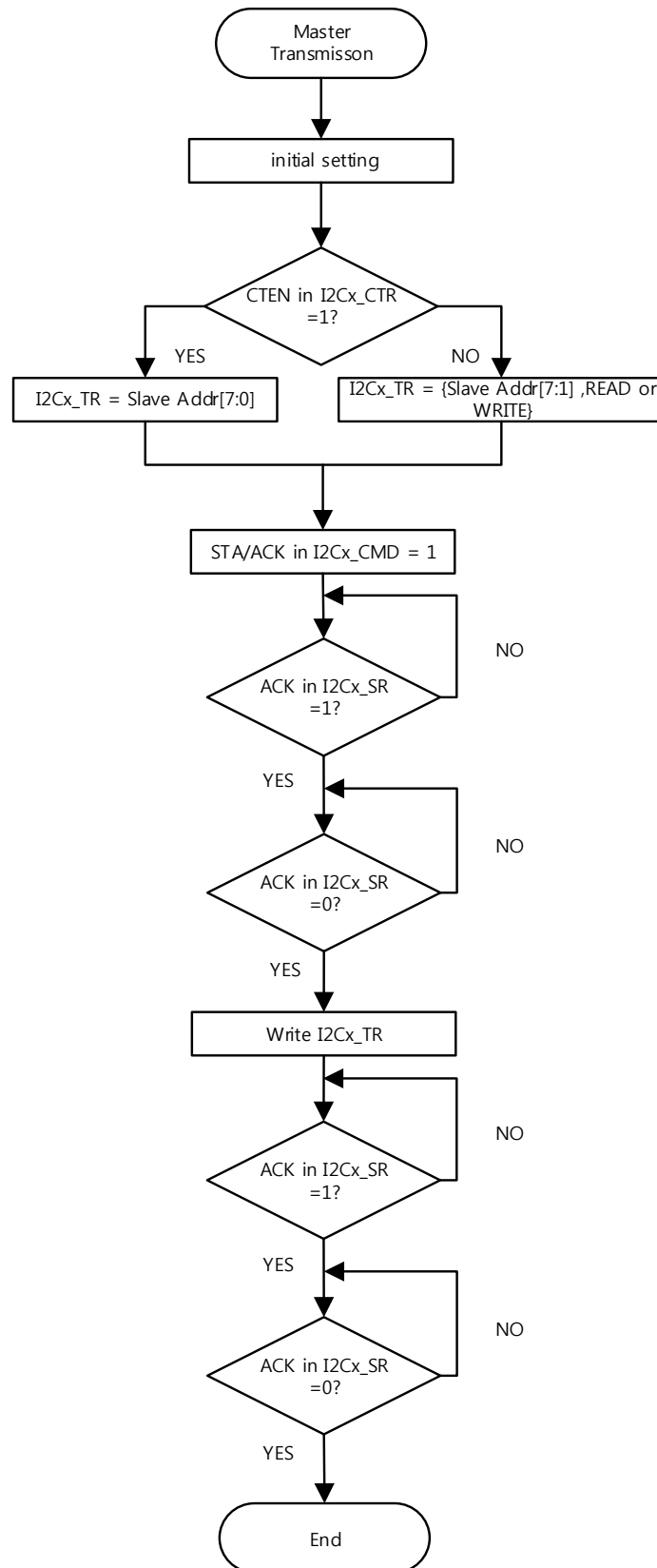


Figure 54. Master TRANSMIT with ADDR10=0 in the I2Cx\_CTR



Figure 55 shows the operation of repeated START.

The repeated START operates for data read operation execution.

The operation sequences are Slave address, send data, repeated START, and send data.

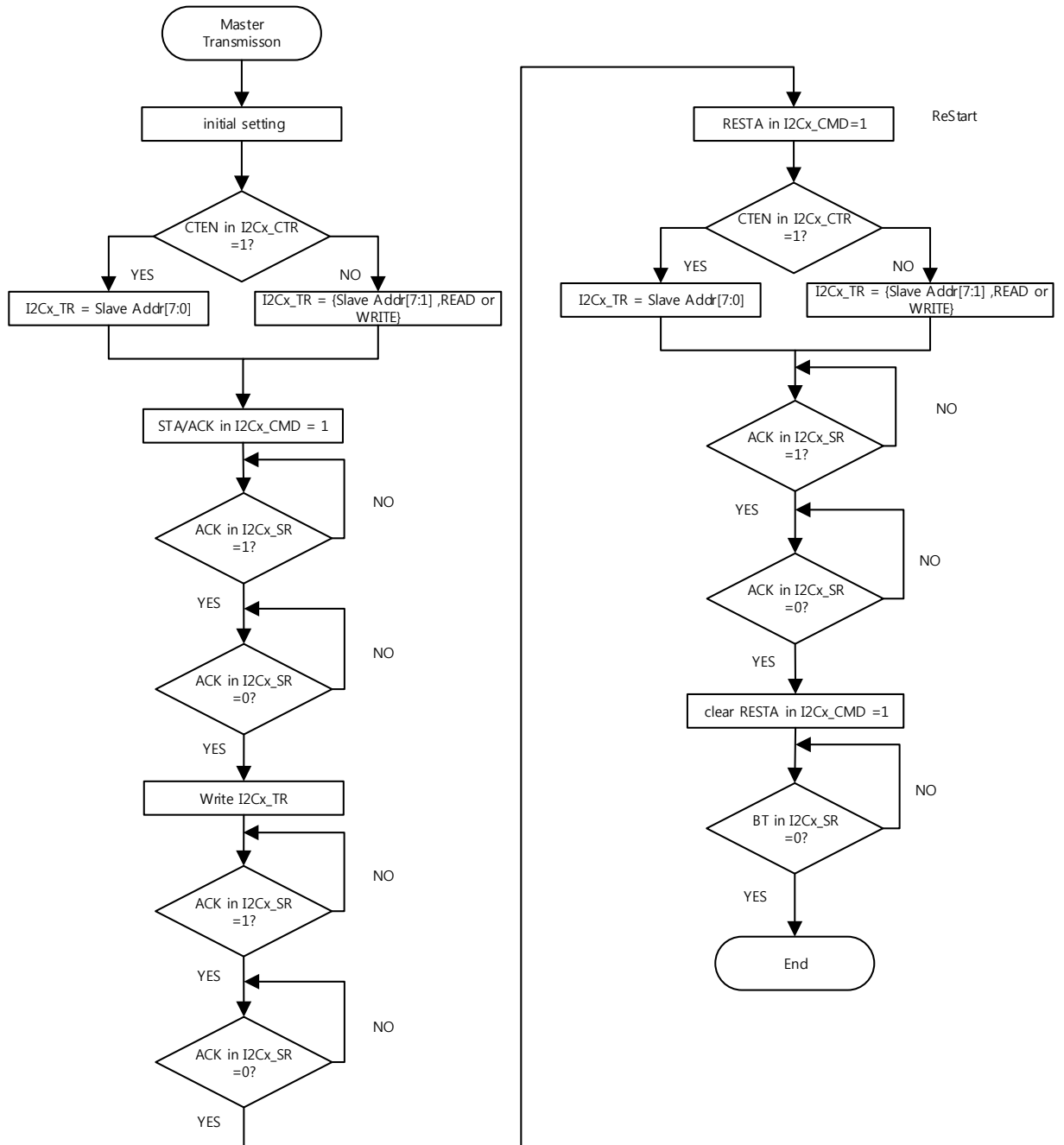


Figure 55. Master Transmit with Repeated START

### 21.3.11 Slave mode

Figure 56 shows the command sequences available for the  $I^2C$  slave.

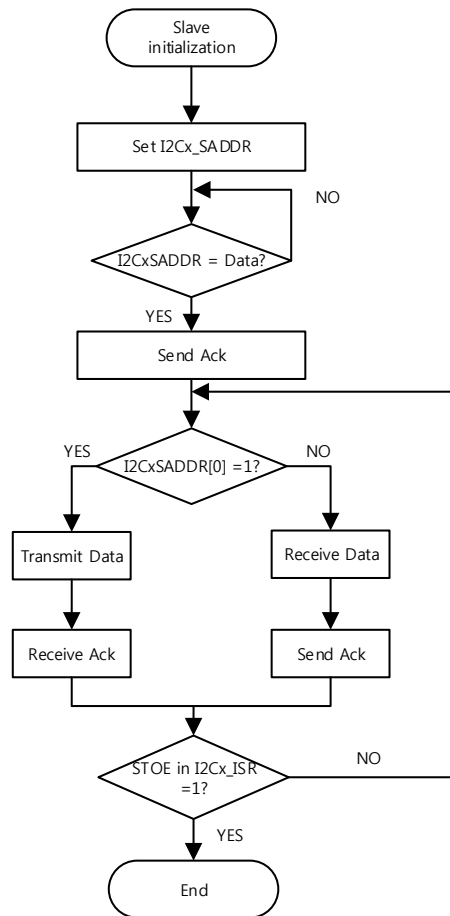


Figure 56. Slave Command Sequence

## 22 Universal Asynchronous Receive Transmit(UART)

### 22.1 Introduction

The UART supports synchronous one-way communication, half-duplex single wire communication, and multiprocessor communications(CTS/RTS).

### 22.2 Features

- Serial-to-parallel conversion on data received from a peripheral device
- Parallel-to-serial conversion on data transmitted to the peripheral device
- Data size of 5,6,7 and 8 its
- One or two stop bits
- Even, odd, stick, or no-parity bit generation and detection
- Support of hardware flow control
- Programmable FIFO disabling for 1-byte depth.
- Programmable use of UART or IrDA SIR input/output
- False start bit detection

### 22.3 Functional description

UART bidirectional communication requires a minimum of two pins: RX, TX

The frame are comprised of:

- An Idle Line prior to transmission or reception
- A start bit
- A data word (8 or 9 bits) least significant bit first
- 1, 1.5, 2 Stop bits indicating that the frame is complete
- The USART interface uses a baud rate generator
- A status register (UART1\_RISR)
- data registers (UART1DR)
- A baud rate register (UART1\_IBRD,UART1\_FBRD)

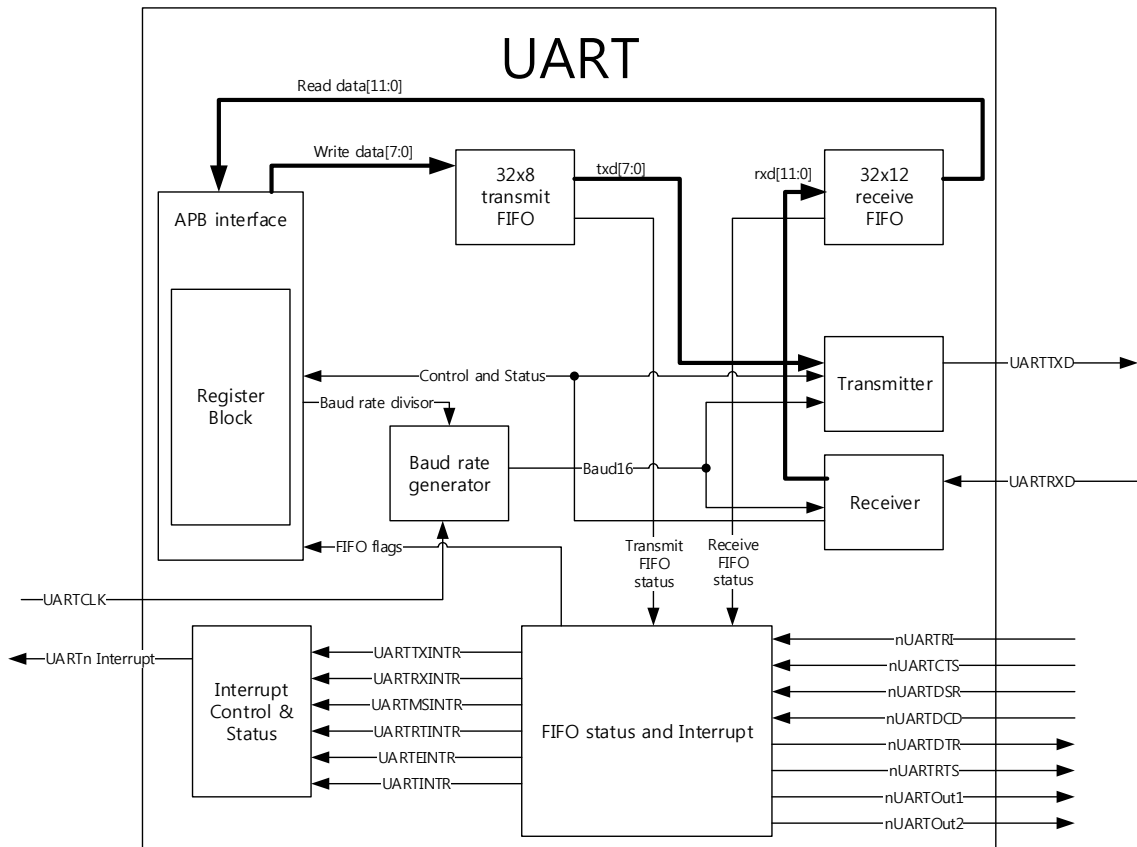


Figure 57 UART0,1 Block diagram

Figure 58 shows the UART character frame

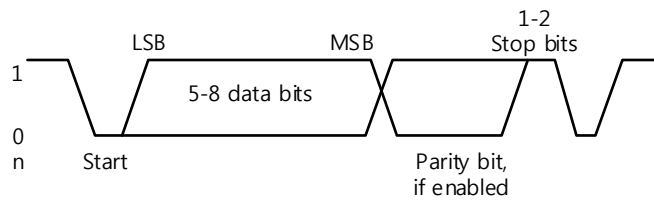


Figure 58 UART character frame

### 22.3.1 Baud rate calculation

UARTx can operate with or without using the Fractional Divider. The baud rate divisor is a 22-bit number consisting the UARTxIBRD(16-bit integer) and the UARTxFBRD(6-bit fractional).

This is used by the baud rate generator to determine the bit period.

$$\text{Baud Rate Divisor} = \frac{\text{UARTCLK}}{(16 * \text{baud rate})} = \text{BRD}_I + \text{BRD}_F$$

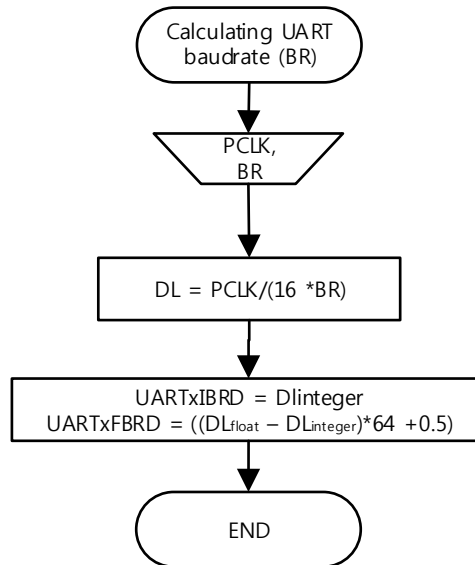


Figure 59 UART divider flow chart

Figure 60 shows how to set the UART Initial value.

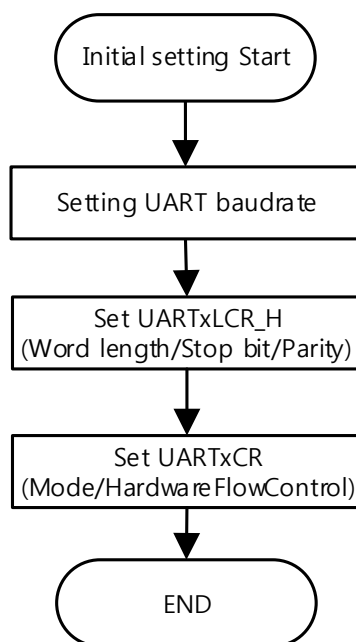


Figure 60 UART Initial setting flow chart

## 22.3.2 Data transmission

Data transmitted is stored in a 32-byte FIFOs. Transmit data is written into the transmit FIFO for transmission. If UART is enabled, it causes a data frame to start transmitting with parameters indicated in the UARTxLCR\_H.

Data continues to transmit until there is no data left in the transmit FIFO. The BUSY bit of UARTxFR is '1' as soon as data is written to the transmit FIFO, which means the FIFO is not empty, and remains as '1' while data is being transmitted.

## 22.3.3 Data receive

Received data is stored in the 32-byte FIFOs. When a start bit has been received, it begins running and data is sampled on the eighth cycle of that counter in UART mode. A valid stop bit is confirmed if UARTRXD is '1'. When a full word is received, the data is stored in the receive FIFO. Error bit is stored in bit[10:8] of UARTxCR and overrun is stored in bit[11] of UARTxCR.

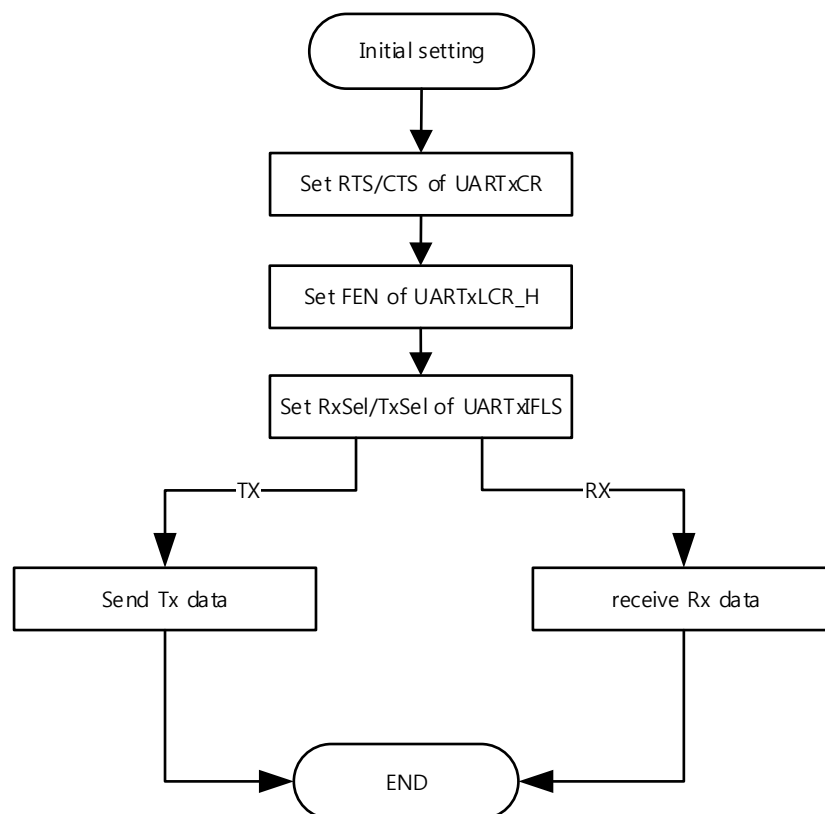


Figure 61 Transmit and Receive data flow chart

## 22.3.4 Hardware flow control

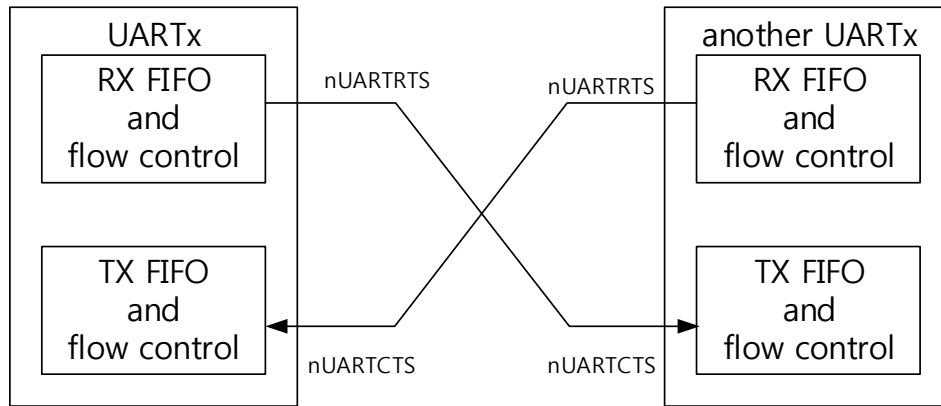


Figure 62 Hardware flow control description

The RTS flow control is enabled by setting the RTSen of UARTxCR. If RTS is enabled, the data flow is controlled as follows.

When the receiver FIFO level reaches the programmed trigger level, nUARTRTS(pin) is asserted (to a low value). nUARTRTS is reasserted (to a low level) once the receiver FIFO has reached the previous trigger level. The reasserted of nUARTRTS signals to the sending UART to continue transmitting data.

The CTS flow control is enabled, the transmitter can only transmit data when nUARTCTS is asserted. When nUARTCTR is re-asserted (to a low) the transmitter sends the next byte. To stop the transmitter from sending the following byte, nUARTCTS must be released before the middle of the last stop bit that is currently being sent.

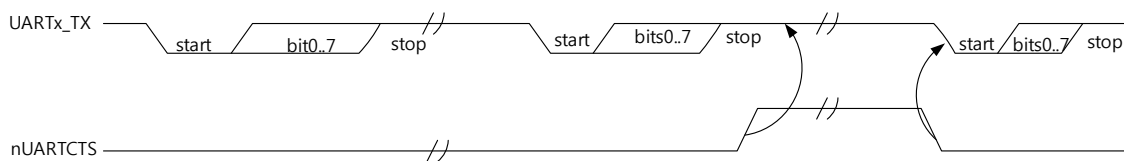


Figure 63 CTS Functional Timing

Figure 64 shows how software should use the RTS/CTS.

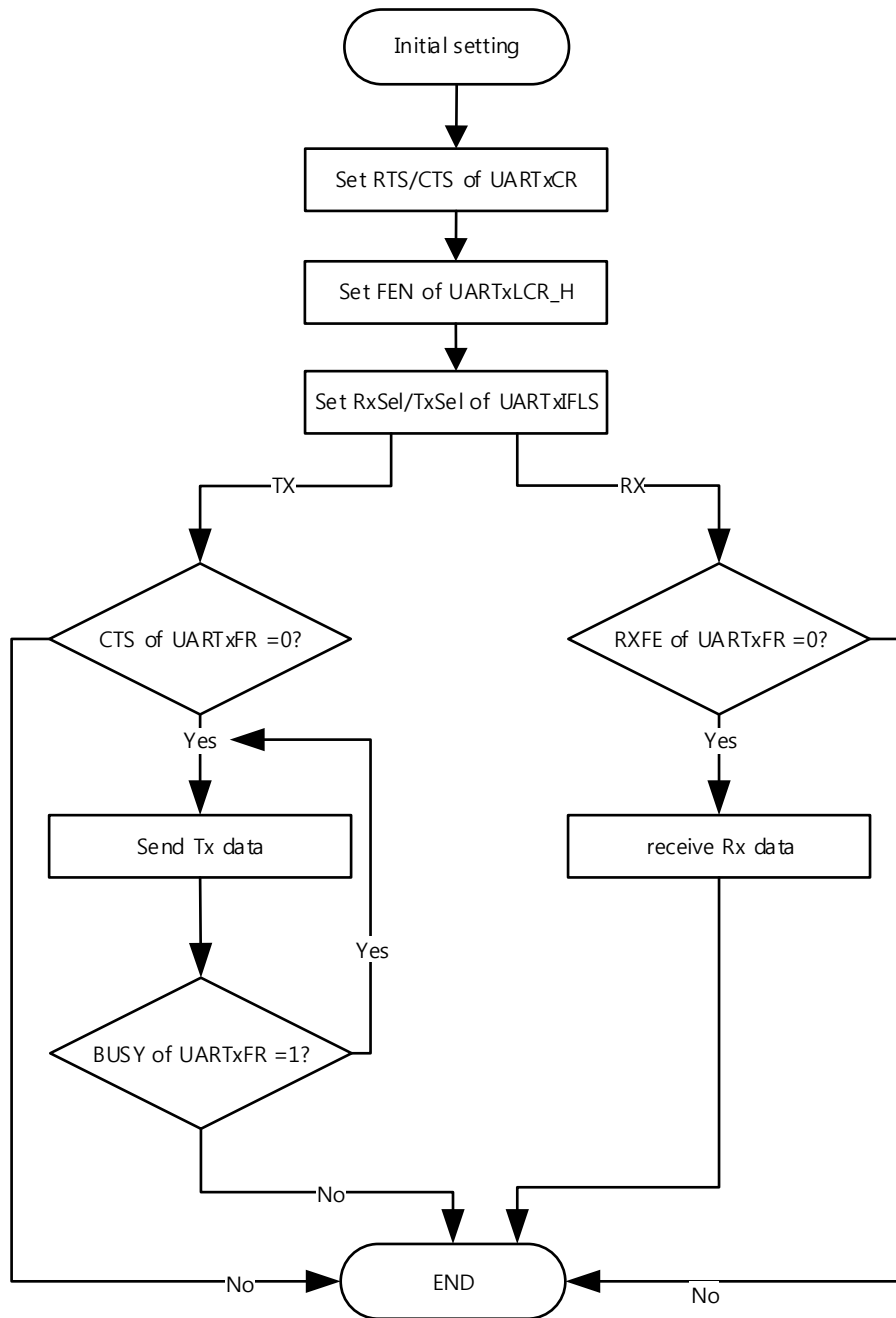


Figure 64 Algorithm for setting CTS/RTS flowchart



## 23 Synchronous Serial Port (SSP)

### 23.1 Introduction

The SSP block is an IP provided by ARM (PL022 “PrimeCell® Synchronous Serial Port”). Additional details about its functional blocks may be found in “ARM PrimeCell® Synchronous Serial Port (PL022) Technical Reference Manual”.

### 23.2 Features

- The SSP is a master or slave interface that enables synchronous serial communication with slave or master peripherals having one of the following:
  - A MOTOROLA SPI-compatible interface
  - A TEXAS INSTRUMENTS synchronous serial interface
  - A National Semiconductor MICROWIRE® interface.
  
- The SPI interface operates as a master or slave interface. It supports bit rates up to 2 MHz and higher in both master and slave configurations. The SPI has the following features:
  - Parallel-to-serial conversion on data written to an internal 16-bit wide, 8-location deep transmit FIFO
  - Serial-to-parallel conversion on received data, buffering it in a 16-bit wide, 8-location deep receive FIFO
  - Programmable data frame size from 4 to 16 bits
  - Programmable clock bit rate and prescaler. The input clock may be divided by a factor of 2 to 254 in steps of two to provide the serial output clock
  - Programmable clock phase and polarity.

## 23.3 Functional description

Figure 65 shows the SSP block diagram.

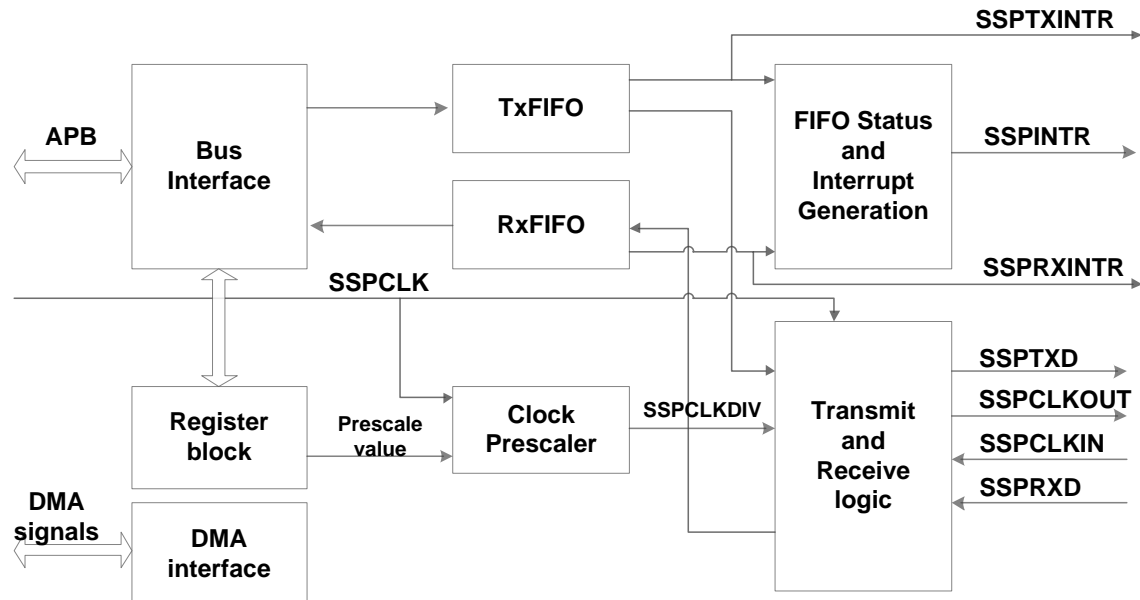


Figure 65. SSP block diagram

### 23.3.1 Clock prescaler

When configured as a master, an internal prescaler is used to provide the serial output clock. The prescaler may be programmed through the SSPCSR register to divide the SSPCLK by a factor of 2 to 254 in two steps. As the least significant bit of the SSPCSR register is not used, division by an odd number is impossible and this ensures a symmetrical (equal mark space ratio) clock is generated.

The output of this prescaler is further divided by a factor 1 to 256 through the programming of the SSPCR0 control register, to give a final master output clock.

### 23.3.2 Transmit FIFO

The common transmit FIFO is a 16-bit wide, 8-locations deep, First-In, First-Out (FIFO) memory buffer. CPU data written across the AMBA APB interface are stored in the buffer until it is read out by the transmit logic.

When configured as a master or a slave, parallel data is written into the transmit FIFO prior to serial conversion and is transmitted to the attached slave or master through the SSPTXD pin.

### 23.3.3 Receive FIFO

The common receive FIFO is a 16-bit wide, 8-locations deep, first-in, first-out memory buffer. Received data from the serial interface are stored in the buffer until it is read out by the CPU across the AMBA APB interface.

When configured as a master or slave, serial data received through the SSPRXD pin is registered prior to parallel loading into the attached slave or master receive FIFO.

### 23.3.4 Interrupt generation logic

The PrimeCell SSP generates four individual maskable, active-HIGH interrupts. A combined interrupt output is also generated as an OR function of the individual interrupt requests.

Users can use the single combined interrupt with a system interrupt controller that provides another level of masking on a per-peripheral basis. This enables use of modular device drivers that always know where to find the interrupt source control register bits.

Users can also use the individual interrupt requests with a system interrupt controller that provides masking for the outputs of each peripheral. In this way, a global interrupt controller service routine can read the entire set of sources from one wide register in the system interrupt controller. This is attractive when the time to read from the peripheral registers is significant compared to the CPU clock speed in a real-time system.

The peripheral supports both methods above.

The transmit and receive dynamic data-flow interrupts, SSPTXINTR and SSPRXINTR, are separated from the status interrupts so that data can be read or written in response to the FIFO trigger levels.

### 23.3.5 DMA interface

The PrimeCell SSP provides an interface to connect to the DMA controller. The PrimeCell SSP DMA control register, SSPDMACR controls the DMA operation of the PrimeCell SSP.

Receive - The DMA interface includes the following signals for receive:

- SSPRXDMASREQ
  - Single-character DMA transfer request asserted by the SSP. This signal is asserted when the receive FIFO contains at least one character.
- SSPRXDMABREQ

- Burst DMA transfer request, asserted by the SSP. This signal is asserted when the receive FIFO contains four or more characters.
- SSPRXDMACLR
  - DMA request clear asserted by the DMA controller to clear the receive request signals. If DMA burst transfer is requested, the clear signal is asserted during the transfer of the last data in the burst.

Transmit - The DMA interface includes the following signals for transmit:

- SSPTXDMASREQ
  - Single-character DMA transfer request asserted by the SSP. This signal is asserted when there is at least one empty location in the transmit FIFO.
- SSPTXDMABREQ
  - Burst DMA transfer request asserted by the SSP. This signal is asserted when the transmit FIFO contains four characters or fewer.
- SSPTXDMACLR
  - DMA request clear asserted by the DMA controller to clear the transmit request signals. If a DMA burst transfer is requested, the clear signal is asserted during the transfer of the last data in the burst.

The burst transfer and single transfer request signals are not mutually exclusive. They can both be asserted at the same time. For example, when there is more data than the watermark level of four in the receive FIFO, the burst transfer request and the single transfer request are asserted.

When the amount of data left in the receive FIFO is less than the watermark level, the single request only is asserted. This is useful for situations when the number of characters left to be received in the stream is less than a burst.

For example, if 19 characters must be received, the DMA controller then transfers four bursts of four characters and three single transfers to complete the stream.

The PrimeCell SSP does not assert the burst request for the remaining three characters.

Each request signal remains asserted until the relevant DMA clear signal is asserted. After the request clear signal is de-asserted, a request signal can become active again depending on the conditions that previous sections describe. All request signals are de-asserted if the PrimeCell SSP is disabled or the DMA enable signal is cleared.

Table 10 shows the trigger points for DMABREQ of both the transmit and receive FIFOs.

Table 10 DMA trigger points for the transmit and receive FIFOs.

---

**Burst length**

Watermark level	Transmit, number of empty locations	Receive, number of filled locations
1/2	4	4

Figure 66 shows the timing diagram for both a single transfer request and a burst transfer request with the appropriate DMA clear signal. The signals are all synchronous to PCLK.

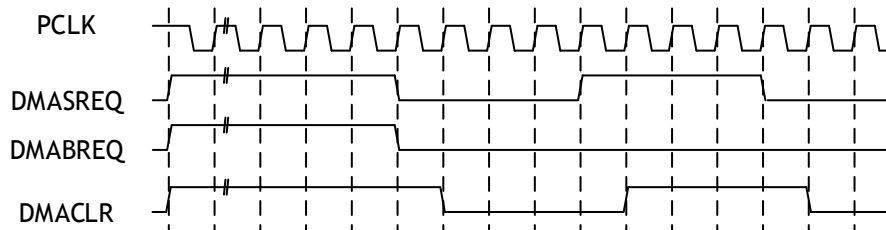


Figure 66. DMA transfer waveforms

### 23.3.6 Interface reset

The PrimeCell SSP is reset by the global reset signal PRESETn and a block-specific reset signal nSSPRST. An external reset controller must use PRESETn to assert nSSPRST asynchronously and negate it synchronously to SSPCLK. PRESETn must be asserted LOW for a period long enough to reset the slowest block in the on-chip system, and then taken HIGH again. The PrimeCell SSP requires PRESETn to be asserted LOW for at least one period of PCLK.

### 23.3.7 Configuring the SSP

The Following reset, the PrimeCell SSP logic is disabled and must be configured when in this state.

It is necessary to program control registers SSPCR0 and SSPCR1 to configure the peripheral as a master or slave operating under one of the following protocols:

- Motorola SPI
- Texas Instruments SSI
- National Semiconductor.

The bit rate derived from the external SSPCLK requires the programming of the clock prescale register SSPCPSR.

---

### 23.3.8 Enable PrimeCell SSP operation

You can either prime the transmit FIFO, by writing up to eight 16-bit values when the PrimeCell SSP is disabled, or permit the transmit FIFO service request to interrupt the CPU. Once enabled, transmission or reception of data begins on the transmit, SSPTXD, and receive, SSPRXD, pins.

### 23.3.9 Clock ratios

There is a constraint on the ratio of the frequencies of PCLK to SSPCLK. The frequency of SSPCLK must be less or equal to that of PCLK. This ensures that control signals from the SSPCLK domain to the PCLK domain are guaranteed to get synchronized before one frame duration:

$$F_{SSPCLK} \leq F_{PCLK}$$

In the slave mode of operation, the SSPCLKIN signal from the external master is double-synchronized and then delayed to detect an edge. It takes three SSPCLKs to detect an edge on SSPCLKIN. SSPTXD has less setup time to the falling edge of SSPCLKIN on which the master is sampling the line.

The setup and hold times on SSPRXD, with reference to SSPCLKIN, must be more conservative to ensure that it is at the right value when the actual sampling occurs within the SSPMS. To ensure correct device operation, SSPCLK must be at least 12 times faster than the maximum expected frequency of SSPCLKIN.

The frequency selected for SSPCLK must accommodate the desired range of bit clock rates. The ratio of minimum SSPCLK frequency to SSPCLKOUT maximum frequency in the case of the slave mode is 12, and for the master mode, it is two.

To generate a maximum bit rate of 1.8432Mbps in the master mode, the frequency of SSPCLK must be at least 3.6864MHz. With an SSPCLK frequency of 3.6864MHz, the SSPCPSR register must be programmed with a value of 2, and the SCR[7:0] field in the SSPCR0 register must be programmed with a value of 0.

To work with a maximum bit rate of 1.8432Mbps in the slave mode, the frequency of SSPCLK must be at least 22.12MHz. With an SSPCLK frequency of 22.12MHz, the SSPCPSR register can be programmed with a value of 12 and the SCR[7:0] field in the SSPCR0 register can be programmed with a value of 0. Similarly, the ratio of SSPCLK maximum frequency to SSPCLKOUT minimum frequency is 254 x 256.

The minimum frequency of SSPCLK is calculated by the following equations, both of which must be satisfied:

$$F_{SSPCLK}(\min) \Rightarrow 2 \times F_{SSPCLKOUT}(\max), \text{ for master mode}$$

---

$F_{SSPCLK}(\min) \Rightarrow 12 \times F_{SSPCLKIN}(\max)$ , for slave mode.

The maximum frequency of SSPCLK is calculated by the following equations, both of which must be satisfied:

$F_{SSPCLK}(\max) \leq 254 \times 256 \times F_{SSPCLKOUT}(\min)$ , for master mode

$F_{SSPCLK}(\max) \leq 254 \times 256 \times F_{SSPCLKIN}(\min)$ , for slave mode.

### 23.3.10 Programming the SSPCR0 Control Register

The SSPCR0 register is used to:

- program the serial clock rate
- select one of the three protocols
- select the data word size, where applicable.

The Serial Clock Rate (SCR) value in conjunction with the SSPCPSR clock prescale divisor value, CPDVSZR, is used to derive the PrimeCell SSP transmit and receive bit rate from the external SSPCLK.

The frame format is programmed through the FRF bits and the data word size through the DSS bits.

Bit phase and polarity applicable to Motorola SPI format only are programmed through the SPH and SPO bits.

### 23.3.11 Programming the SSPCR1 Control Register

The SSPCR1 register is used to:

- select master or slave mode
- enable a loop back test feature
- enable the PrimeCell SSP peripheral.

To configure the PrimeCell SSP as a master, clear the SSPCR1 register master or slave selection bit, MS, to 0. This is the default value on reset.

Setting the SSPCR1 register MS bit to 1 configures the PrimeCell SSP as a slave. When configured as a slave, enabling or disabling of the PrimeCell SSP SSPTXD signal is provided through the SSPCR1 slave mode SSPTXD output disable bit, SOD. You can use this in some multi-slave environments where masters might parallel broadcast.

---

Set the Synchronous Serial Port Enable (SSE) bit to 1 to enable the operation of the PrimeCell SSP.

### Bit rate generation

The serial bit rate is derived by dividing down the input clock SSPCLK. The clock is first divided by an even prescale value CPSDVSR in the range of 2-254, and is programmed in SSPCPSR. The clock is divided again by a value in the range of 1-256, that is  $1 + SCR$ , where SCR is the value programmed in SSPCR0.

The following equation defines the frequency of the output signal bit clock, SSPCLKOUT:

$$F_{SSPCLKOUT} = \frac{F_{SSPCLK}}{CPSDVSR \times (1 + SCR)}$$

For example, if SSPCLK is 3.6864MHz, and CPSDVSR = 2, then SSPCLKOUT has a frequency range of 7.2kHz-1.8432MHz.

## 23.3.12 Frame format

Each data frame is between 4-16 bits long depending on the size of data programmed and is transmitted starting with the MSB. Users can select the following basic frame types:

- Texas Instruments synchronous serial
- Motorola SPI
- National Semiconductor Microwire.

For all formats, the serial clock SSPCLKOUT is held inactive while the PrimeCell SSP is idle and transitions at the programmed frequency only during active transmission or reception of data. The idle state of SSPCLKOUT is utilized to provide a receive timeout indication that occurs when the receive FIFO still contains data after a timeout period.

For Motorola SPI and National Semiconductor Microwire frame formats, the serial frame SSPFSSOUT pin is active-LOW and is asserted and pulled-down during the entire transmission of the frame.

For Texas Instruments synchronous serial frame format, the SSPFSSOUT pin is pulsed for one serial clock period starting at its rising edge prior to the transmission of each frame. For this frame format, both the PrimeCell SSP and the off-chip slave device drive their output data on the rising edge of SSPCLKOUT and latch data from the other device on the falling edge.



Unlike the full-duplex transmission of the other two frame formats, the National Semiconductor Microwire format uses a special master-slave messaging technique which operates at half-duplex. In this mode, an 8-bit control message is transmitted to the off-chip slave when a frame begins. During this transmit, the SSS receives no incoming data. After the message has been sent, the off-chip slave decodes it and responds with the requested data after waiting one serial clock after the last bit of the 8-bit control message has been sent. The returned data can be 4-16 bits in length making the total frame length in the range of 13-25 bits.

### 23.3.13 Texas Instruments synchronous serial frame format

Figure 67 shows the Texas Instruments synchronous serial frame format for a single transmitted frame.

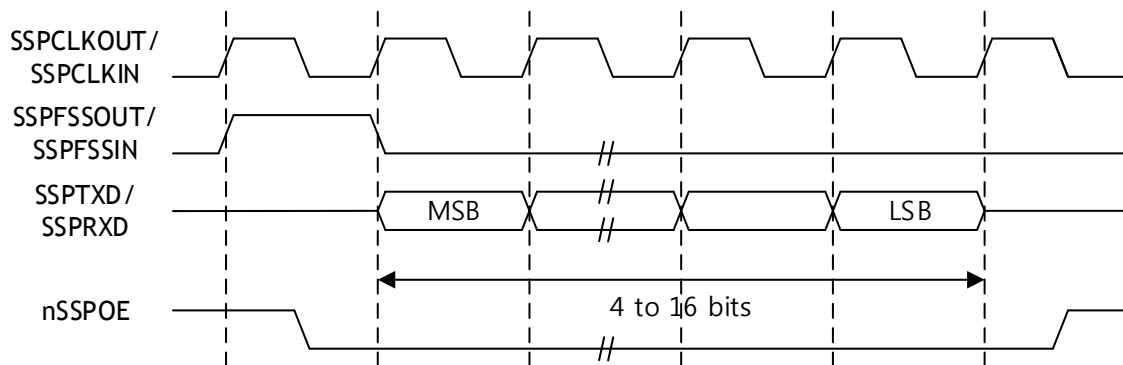


Figure 67. Texas Instruments synchronous serial frame format, single transfer

In this mode, SSPCLKOUT and SSPFSSOUT are forced LOW and the transmit data line SSPTXD is tristated whenever the PrimeCell SSP is idle. When the bottom entry of the transmit FIFO contains data, SSPFSSOUT is pulsed HIGH for one SSPCLKOUT period. The value to be transmitted is also transferred from the transmit FIFO to the serial shift register of the transmit logic. On the next rising edge of SSPCLKOUT, the MSB of the 4-bit to 16-bit data frame is shifted out on the SSPTXD pin. In a similar way, the MSB of the received data is shifted onto the SSPRXD pin by the off-chip serial slave device.

Both the PrimeCell SSP and the off-chip serial slave device then clock each data bit into their serial shifter on the falling edge of each SSPCLKOUT. The received data is transferred from the serial shifter to the receive FIFO on the first rising edge of PCLK after the LSB has been latched.

Figure 68 shows the Texas Instruments synchronous serial frame format when back-to-back frames are transmitted.

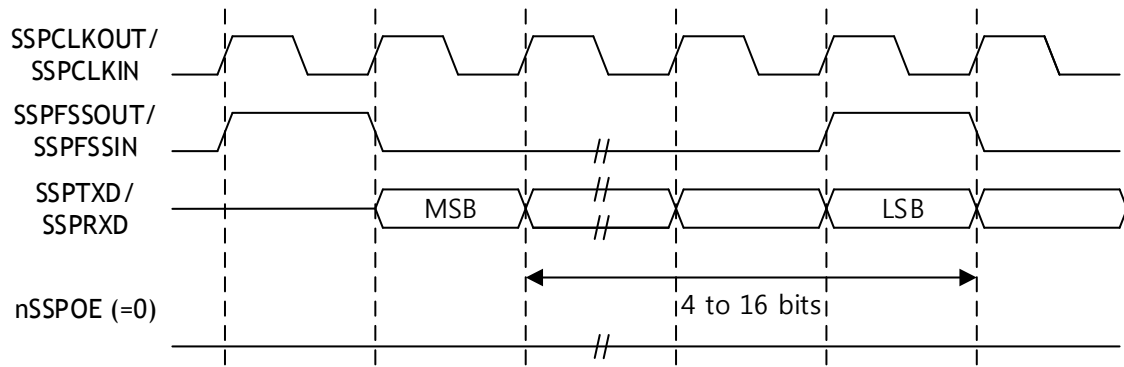


Figure 68. Texas Instruments synchronous serial frame format, continuous transfers

### 23.3.14 Motorola SPI frame format

The Motorola SPI interface is a four-wire interface where the SSPFSSOUT signal behaves as a slave select. The main feature of the Motorola SPI format is that you can program the inactive state and phase of the SSPCLKOUT signal using the SPO and SPH bits of the SSPSCR0 control register.

#### SPO, clock polarity

When the SPO clock polarity control bit is LOW, it produces a steady state LOW value on the SSPCLKOUT pin. If the SPO clock polarity control bit is HIGH, a steady state HIGH value is placed on the SSPCLKOUT pin when data is not being transferred.

#### SPH, clock phase

The SPH control bit selects the clock edge that captures data and enables it to change state. It has the most impact on the first bit transmitted by either permitting or not permitting a clock transition before the first data capture edge.

When the SPH phase control bit is LOW, data is captured on the first clock edge transition.

When the SPH clock phase control bit is HIGH, data is captured on the second clock edge transition.

Figure 69 and Figure 70 show single and continuous transmission signal sequences for Motorola SPI format with SPO=0, SPH=0.

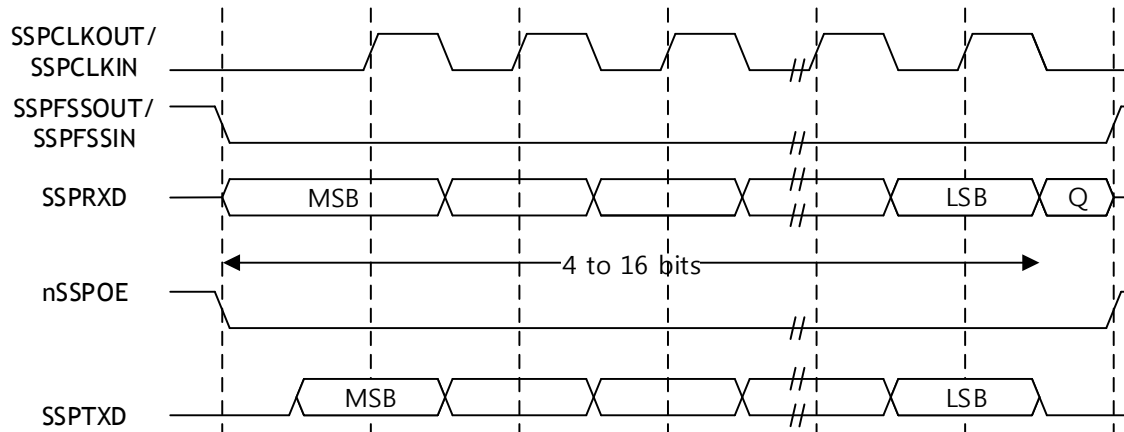


Figure 69. Motorola SPI frame format, single transfer, with SPO=0 and SPH=0

Figure 70 shows a continuous transmission signal sequence for Motorola SPI frame format with SPO=0, SPH=0.

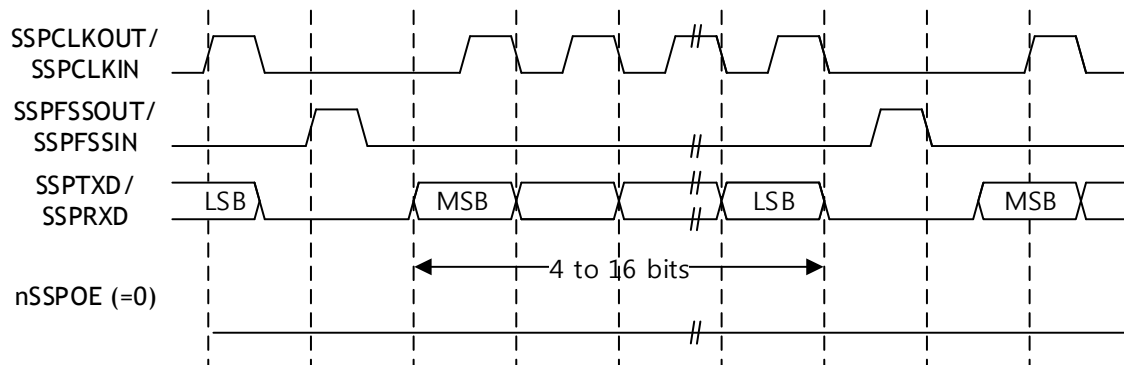


Figure 70. Motorola SPI frame format, continuous transfers, with SPO=0 and SPH=0

In this configuration, during idle periods:

- the SSPCLKOUT signal is forced LOW
- the SSPFSSOUT signal is forced HIGH
- the transmit data line SSPTXD is arbitrarily forced LOW
- the nSSPOE pad enable signal is forced HIGH, making the transmit pad high impedance
- when the PrimeCell SSP is configured as a master, the nSSPCTLOE line is driven LOW, enabling the SSPCLKOUT pad, active-LOW enable
- when the PrimeCell SSP is configured as a slave, the nSSPCTLOE line is driven HIGH, disabling the SSPCLKOUT pad, active-LOW enable.

If the PrimeCell SSP is enabled and there is valid data within the transmit FIFO, the start of transmission is signified by the SSPFSSOUT master signal being driven LOW. This causes the slave data to be enabled onto the SSPRXD input line of the master. The nSSPOE line is driven LOW, enabling the master SSPTXD output pad.

One half SSPCLKOUT period later, valid master data is transferred to the SSPTXD pin. Now that both the master and slave data have been set, the SSPCLKOUT master clock pin goes HIGH after one additional half SSPCLKOUT period.

The data is now captured on the rising and propagated on the falling edges of the SSPCLKOUT signal.

In the case of a single word transmission after all bits of the data word have been transferred, the SSPFSSOUT line is returned to its idle HIGH state one SSPCLKOUT period after the last bit has been captured.

However, in the case of continuous back-to-back transmissions, the SSPFSSOUT signal must be pulsed HIGH between each data word transfer. This is because the slave select pin freezes the data in its serial peripheral register and does not permit it to be altered if the SPH bit is logic zero. Therefore, the master device must raise the SSPFSSIN pin of the slave device between each data transfer to enable the serial peripheral data write. On completion of the continuous transfer, the SSPFSSOUT pin is returned to its idle state one SSPCLKOUT period after the last bit has been captured.

Figure 71 shows the transfer signal sequence for Motorola SPI format with SPO=0, SPH=1, and it covers both single and continuous transfers.

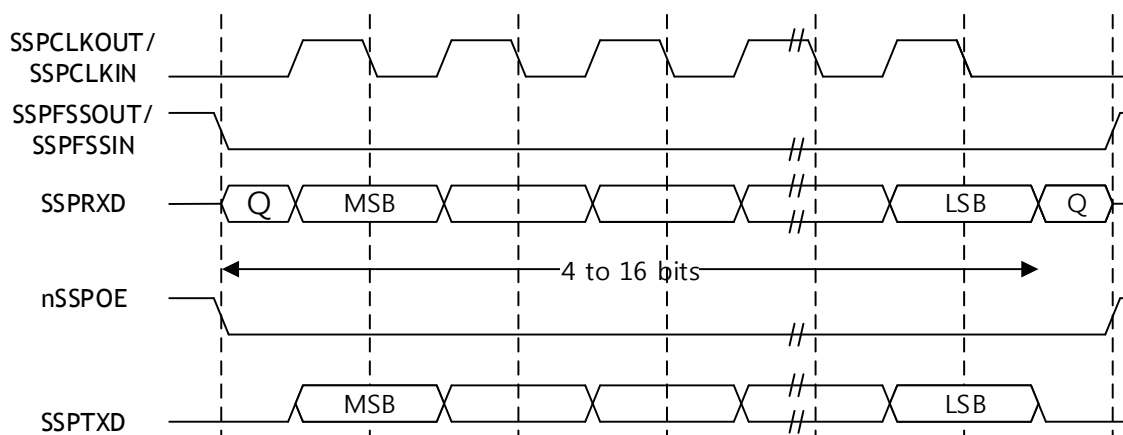


Figure 71. Motorola SPI frame format, single and continuous transfers, with SPO=0 and SPH=1

In this configuration, during idle periods:

- the SSPCLKOUT signal is forced LOW
- The SSPFSSOUT signal is forced HIGH
- the transmit data line SSPTXD is arbitrarily forced LOW

- the nSSPOE pad enable signal is forced HIGH, making the transmit pad high impedance
- when the PrimeCell SSP is configured as a master, the nSSPCTLOE line is driven LOW, enabling the SSPCLKOUT pad, active-LOW enable
- when the PrimeCell SSP is configured as a slave, the nSSPCTLOE line is driven HIGH, disabling the SSPCLKOUT pad, active-LOW enable.

If the PrimeCell SSP is enabled and there is valid data within the transmit FIFO, the start of transmission is signified by the SSPFSSOUT master signal being driven LOW. The nSSPOE line is driven LOW, enabling the master SSPTXD output pad. After an additional one half SSPCLKOUT period, both master and slave valid data is enabled onto their respective transmission lines. At the same time, the SSPCLKOUT is enabled with a rising edge transition.

Data is then captured on the falling edges and propagated on the rising edges of the SSPCLKOUT signal.

In the case of a single word transfer after all bits have been transferred, the SSPFSSOUT line is returned to its idle HIGH state one SSPCLKOUT period after the last bit has been captured.

For continuous back-to-back transfers, the SSPFSSOUT pin is held LOW between successive data words and termination is the same as that of the single word transfer.

Figure 72 shows a single transmission signal sequence for Motorola SPI format with SPO=1, SPH=0.

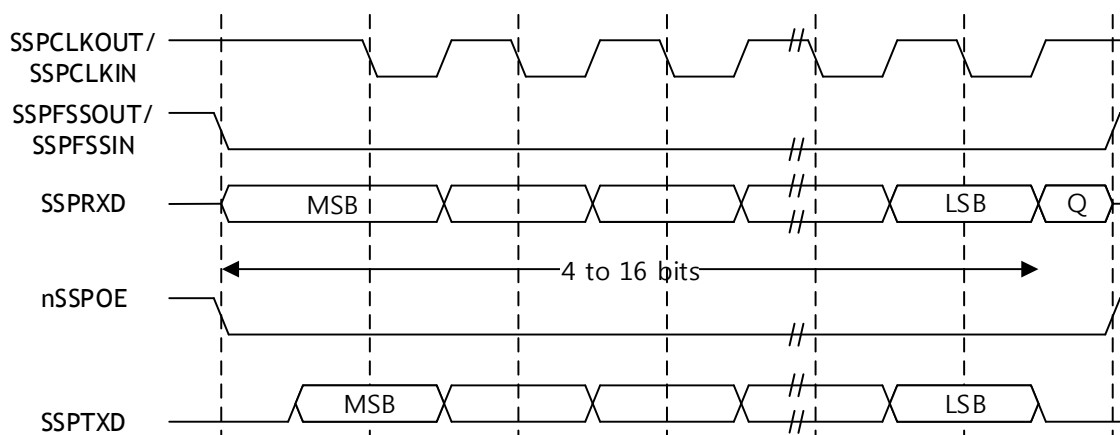


Figure 72. Motorola SPI frame format, single transfer, with SPO=1 and SPH=0

Figure 73 shows a continuous transmission signal sequence for Motorola SPI format with SPO=1, SPH=0. In Figure 9, Q is an undefined signal.

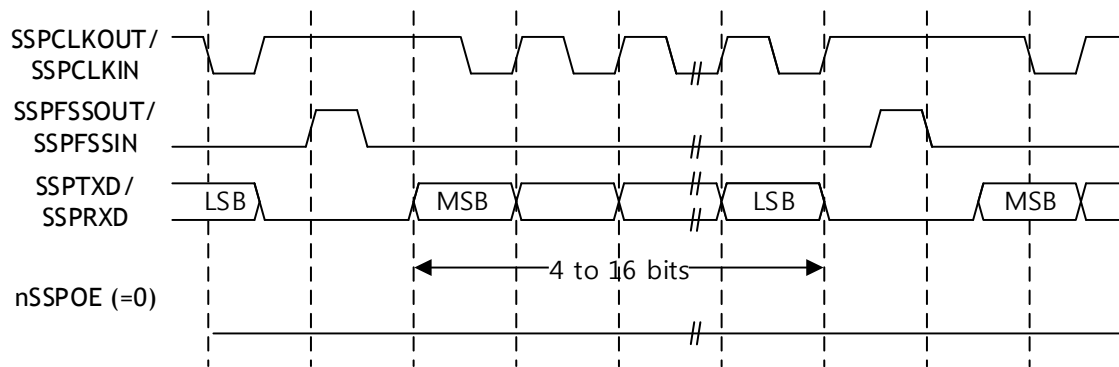


Figure 73. Motorola SPI frame format, continuous transfers, with SPO=1 and SPH=0

In this configuration, during idle periods:

- the SSPCLKOUT signal is forced HIGH
- the SSPFSSOUT signal is forced HIGH
- the transmit data line SSPTXD is arbitrarily forced LOW
- the nSSPOE pad enable signal is forced HIGH, making the transmit pad high impedance
- when the PrimeCell SSP is configured as a master, the nSSPCTLOE line is driven LOW, enabling the SSPCLKOUT pad, active-LOW enable
- when the PrimeCell SSP is configured as a slave, the nSSPCTLOE line is driven HIGH, disabling the SSPCLKOUT pad, active-LOW enable.

If the PrimeCell SSP is enabled and there is valid data within the transmit FIFO, the start of transmission is signified by the SSPFSSOUT master signal being driven LOW, and this causes slave data to be immediately transferred onto the SSPRXD line of the master. The nSSPOE line is driven LOW, enabling the master SSPTXD output pad.

One half period later, valid master data is transferred to the SSPTXD line. Now that both the master and slave data have been set, the SSPCLKOUT master clock pin becomes LOW after one additional half SSPCLKOUT period. This means that data is captured on the falling edges and be propagated on the rising edges of the SSPCLKOUT signal.

In the case of a single word transmission after all bits of the data word are transferred, the SSPFSSOUT line is returned to its idle HIGH state one SSPCLKOUT period after the last bit has been captured.

However, in the case of continuous back-to-back transmissions, the SSPFSSOUT signal must be pulsed HIGH between each data word transfer. This is because the slave select pin freezes the data in its serial peripheral register and does not permit it to be altered if the SPH bit is logic zero. Therefore, the master device must raise the SSPFSSIN pin of the slave device between

each data transfer to enable the serial peripheral data write. On completion of the continuous transfer, the SSPFSSOUT pin is returned to its idle state one SSPCLKOUT period after the last bit has been captured.

Figure 74 shows the transfer signal sequence for Motorola SPI format with SPO=1, SPH=1, and it covers both single and continuous transfers. In Figure 10, Q is an undefined signal.

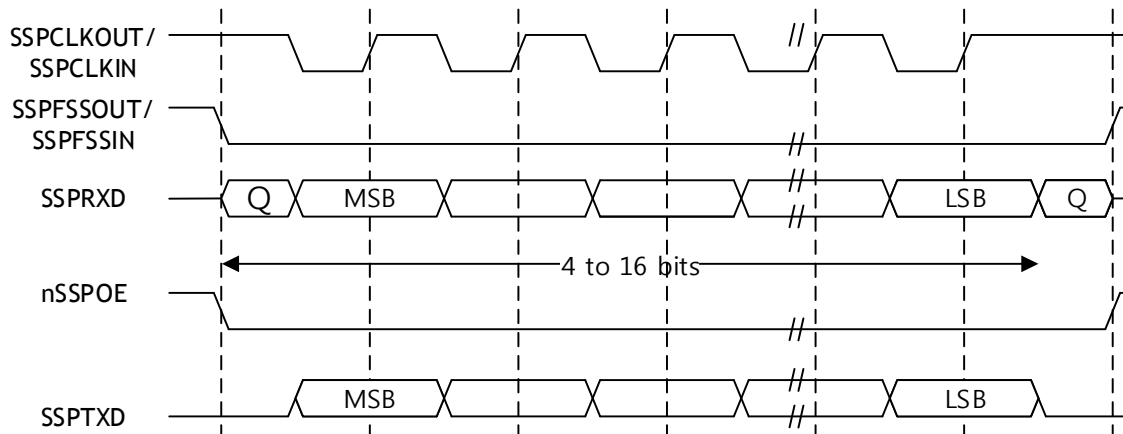


Figure 74. Motorola SPI frame format, single and continuous transfers, with SPO=1 and SPH=1

In this configuration, during idle periods:

- the SSPCLKOUT signal is forced HIGH
- the SSPFSSOUT signal is forced HIGH
- the transmit data line SSPTXD is arbitrarily forced LOW
- the nSSPOE pad enable signal is forced HIGH, making the transmit pad high impedance
- when the PrimeCell SSP is configured as a master, the nSSPCTLOE line is driven LOW, enabling the SSPCLKOUT pad, active-LOW enable
- when the PrimeCell SSP is configured as a slave, the nSSPCTLOE line is driven HIGH, disabling the SSPCLKOUT pad, active-LOW enable.

If the PrimeCell SSP is enabled and there is valid data within the transmit FIFO, the start of transmission is signified by the SSPFSSOUT master signal being driven LOW. The nSSPOE line is driven LOW, enabling the master SSPTXD output pad. After an additional one half SSPCLKOUT period, both master and slave data are enabled onto their respective transmission lines. At the same time, the SSPCLKOUT is enabled with a falling edge transition. Data is then captured on the rising edges and propagated on the falling edges of the SSPCLKOUT signal.

After all bits have been transferred in the case of a single word transmission, the SSPFSSOUT line is returned to its idle HIGH state one SSPCLKOUT period after the last bit has been captured.

For continuous back-to-back transmissions, the SSPFSSOUT pin remains in its active-LOW state, until the final bit of the last word has been captured, and then returns to its idle state as the previous section describes.

For continuous back-to-back transfers, the SSPFSSOUT pin is held LOW between successive data words and termination is the same as that of the single word transfer.

### 23.3.15 National Semiconductor Microwire frame format

Figure 75 shows the National Semiconductor Microwire frame format for a single frame.

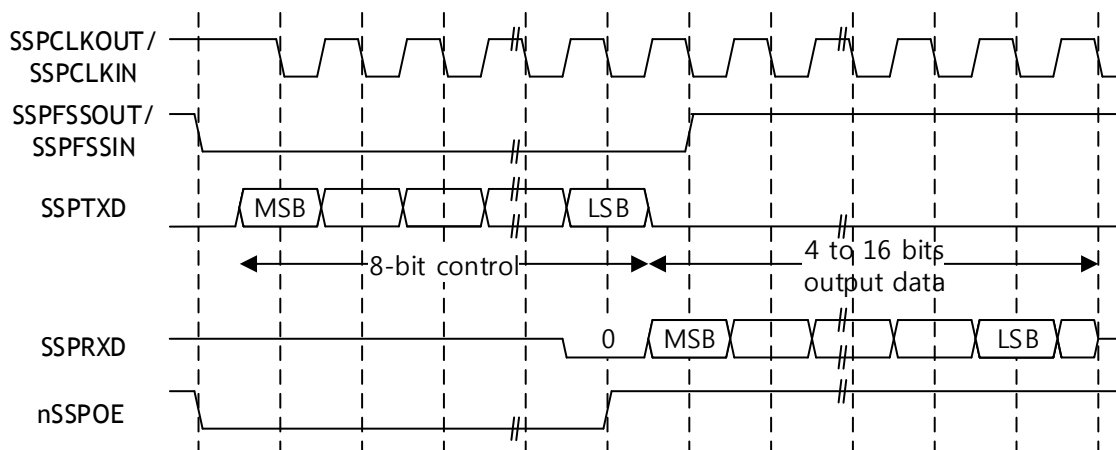


Figure 75. National Semiconductor Microwire frame format, single transfer

Microwire format is very similar to the SPI format except that transmission is half-duplex instead of full-duplex using a master-slave message passing technique. Each serial transmission begins with an 8-bit control word that is transmitted from the PrimeCell SSP to the off-chip slave device. During this transmission, the PrimeCell SSP receives no incoming data. After the message has been sent, the off-chip slave decodes it and responds with the required data after waiting one serial clock after the last bit of the 8-bit control message has been sent. The returned data is 4 to 16 bits in length, making the total frame length in the range of 13-25 bits.

In this configuration, during idle periods:

- SSPCLKOUT is forced LOW



- SSPFSSOUT is forced HIGH
- the transmit data line, SSPTXD, is arbitrarily forced LOW
- the nSSPOE pad enable signal is forced HIGH, making the transmit pad high impedance.

A transmission is triggered by writing a control byte to the transmit FIFO. The falling edge of SSPFSSOUT causes the value contained in the bottom entry of the transmit FIFO to be transferred to the serial shift register of the transmit logic and the MSB of the 8-bit control frame to be shifted out onto the SSPTXD pin. SSPFSSOUT remains LOW for the duration of the frame transmission. The SSPRXD pin remains tristated during this transmission.

The off-chip serial slave device latches each control bit into its serial shifter on the rising edge of each SSPCLKOUT. After the last bit is latched by the slave device, the control byte is decoded during a one clock wait-state and the slave responds by transmitting data back to the PrimeCell SSP. Each bit is driven onto the SSPRXD line on the falling edge of SSPCLKOUT. The PrimeCell SSP in turn latches each bit on the rising edge of SSPCLKOUT. At the end of the frame for single transfers, the SSPFSSOUT signal is pulled HIGH one clock period after the last bit has been latched in the receive serial shifter, which causes the data to be transferred to the receive FIFO.

The off-chip slave device can tristate the receive line either on the falling edge of SSPCLKOUT after the LSB has been latched by the receive shifter or when the SSPFSSOUT pin goes HIGH.

For continuous transfers, data transmission begins and ends in the same manner as a single transfer. However, the SSPFSSOUT line is continuously asserted, held LOW, and transmission of data occurs back-to-back. The control byte of the next frame follows directly after the LSB of the received data from the current frame. Each of the received values is transferred from the receive shifter on the falling edge SSPCLKOUT, after the LSB of the frame has been latched into the PrimeCell SSP.

Figure 76 shows the National Semiconductor Microwire frame format when back-to-back frames are transmitted.

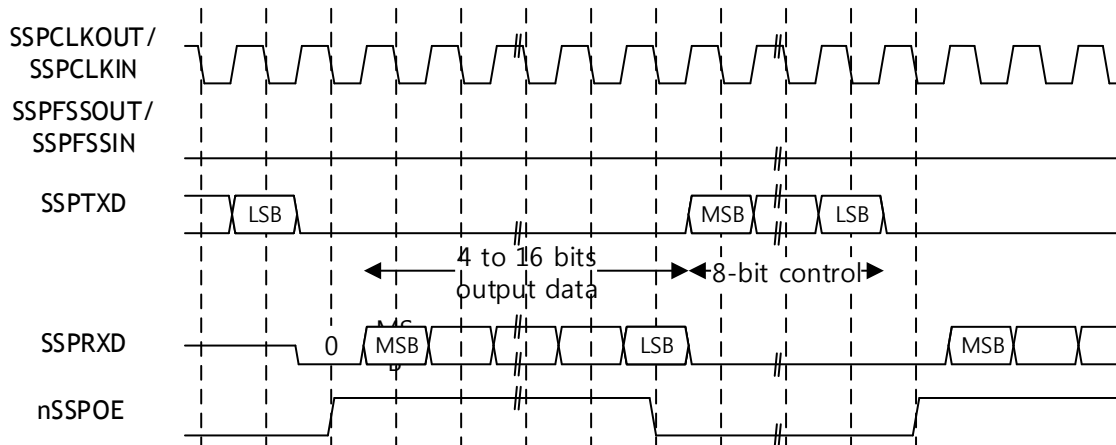


Figure 76. National Semiconductor Microwire frame format, continuous transfers

### 23.3.16 Master and Slave configurations

Figure 77 shows how a PrimeCell SSP (PL022) configured as master, interfaces to a Motorola SPI slave. The SPI Slave Select (SS) signal is permanently tied LOW and configures it as a slave. Similar to the above operation, the master can broadcast to the slave through the master PrimeCell SSP SSPTXD line. In response, the slave drives its SPI MISO port onto the SSPRXD line of the master.

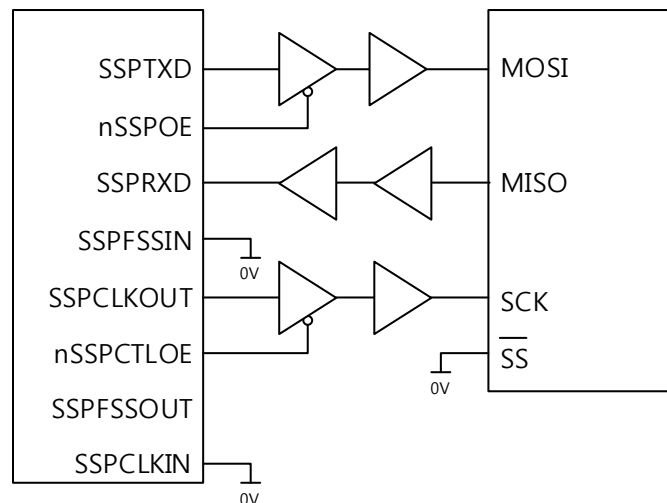


Figure 77. PrimeCell SSP master coupled to an SPI slave

Figure 78 shows a Motorola SPI configured as a master and interfaced to an instance of a PrimeCell SSP (PL022) configured as a slave. In this case, the slave Select Signal (SS) is permanently tied HIGH to configure it as a master. The master can broadcast to the slave through the master SPI MOSI line. In response, the slave drives its nSSPOE signal LOW.

This enables its SSPTXD data onto the MISO line of the master.

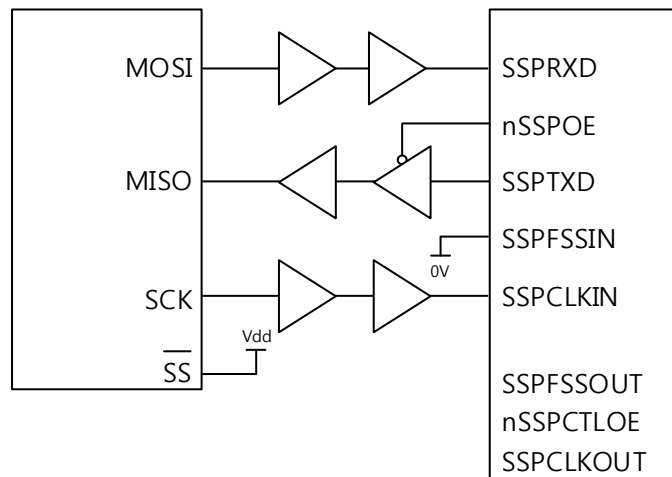


Figure 78. SPI master coupled to a PrimeCell SSP slave

### 23.3.17 SSP Flow chart

Figure 79 shows how to setting TI or Microwire mode.

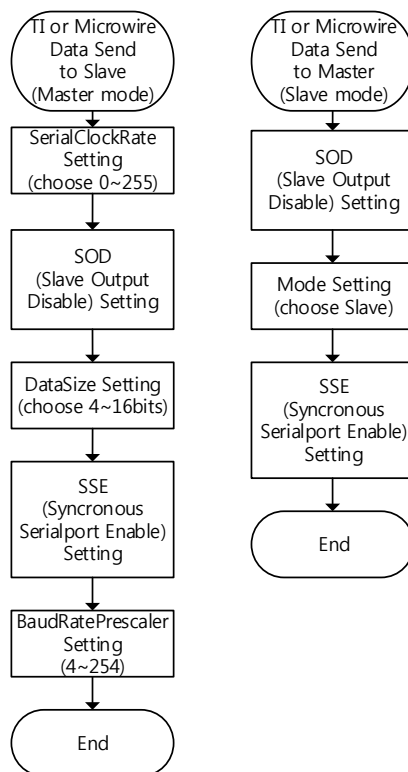


Figure 79. how to setting TI or Microwire mode flow chart

Figure 80 shows how to set SPI mode.

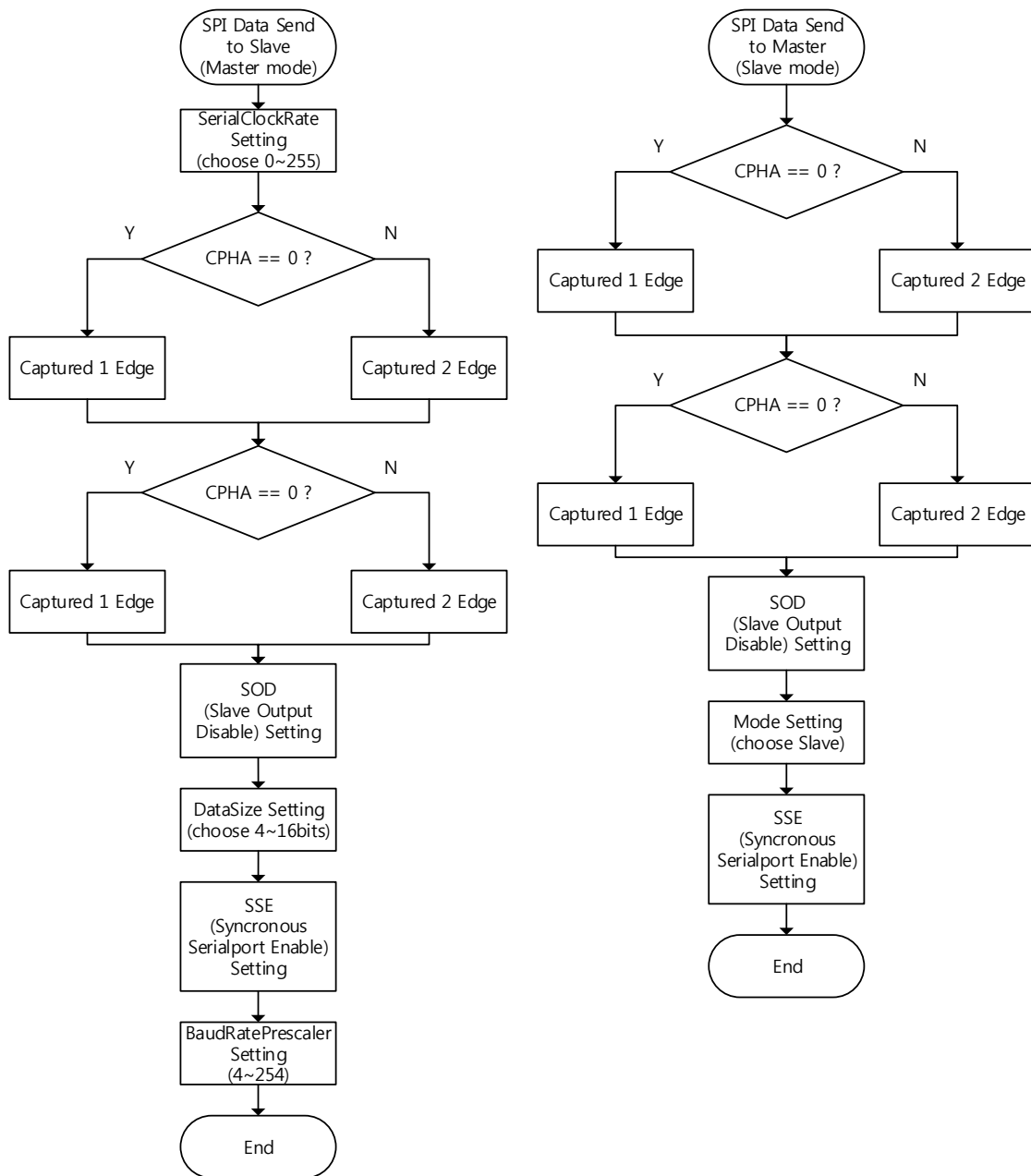


Figure 80. how to setting SPI mode flow chart

## 24 Electrical Characteristics

### 24.1 Absolute maximum ratings

These are stress ratings only and functional operation of the device at these conditions is not implied. Exposure to maximum rating conditions for extended periods may affect device reliability.

#### 24.1.1 Voltage Characteristics

Table 11 shows the voltage characteristics of W7500.

Table 11 Voltage characteristics

Symbol	Ratings	Min	Max	Unit
V <sub>DD-VSS</sub>	External main supply voltage (VDD)	-0.3	5.8	V
V <sub>IN</sub>	Input voltage on IO pins	VSS - 0.3	5.8	V
S <sub>VDDH</sub>	I/O Power on slope	5V/Sec	1V/uSec	-
ΔV <sub>DD</sub>	Variations between difference VDD power pins		50	mV
ΔV <sub>SS</sub>	Variations between different ground pins		50	mV

#### 24.1.2 Current Characteristics

Table 12 shows the current characteristics of W7500.

Table 12 Current characteristics

Symbol	Ratings	Max	Unit
I <sub>VDD_SUM</sub>	Total current into sum of all VDD power lines (source)	100	mA
I <sub>VDD</sub>	Maximum current into each ADD power pin (source)	90	mA
I <sub>IO_PAD</sub>	Total output current sunk by sum of all IOs and control pins	75	mA
I <sub>INJ_PAD</sub>	Single pin input injected current	±10	mA
I <sub>INJ_SUM</sub>	Sum of all input injected current	±50	mA

#### 24.1.3 Thermal Characteristics

Table 13 shows the thermal characteristics of W7500.

Table 13 Thermal Characteristics

Symbol	Ratings	Min	Max	Unit
T <sub>Storage</sub>	Storage temperature range	-55	+150	°C
T <sub>Junc</sub>	Maximum junction temperature under bias	-40	+150	°C

## 24.2 Operating conditions

### 24.2.1 General Operating Conditions

Table 14 shows the general operating conditions of W7500.

Table 14 General operating conditions

Symbol	Parameter	Conditions	Min	Max	Unit
f <sub>CLK</sub>	Internal CPU clock frequency		0	48	MHz
V <sub>DD</sub>	Standard operating voltage		2.7	3.6	V
V <sub>IO</sub>	Input voltage on PIN		V <sub>SS</sub> -0.3	3.6	V
T <sub>A</sub>	Ambient temperature		-40	85	°C
T <sub>J</sub>	Junction Temperature range		-30	105	°C

### 24.2.2 Supply Current Characteristics

#### 24.2.2.1 Normal operation

Table 15 shows the Normal operation supply current.

Table 15 Normal operation supply current

Symbol	Parameter	Conditions1	Condition2	Typ	Unit
I <sub>DD_NOR</sub>	Supply current	Active mode; code While(1) {} Executed from flash memory	System clock = 10MHz	6.14	mA
			System clock = 20MHz	8.82	mA
			System clock = 40MHz	14.09	mA

#### 24.2.2.2 Sleep mode

Table 16 shows the Normal operation supply current.

Table 16 Sleep mode supply current

Symbol	Parameter	Conditions1	Condition2	Typ	Unit
I <sub>DD_SLP</sub>	Supply current	After enter sleep mode All peripheral clocks ON (same as system clock)	System clock = 10MHz	3.51	mA
			System clock = 20MHz	5.65	mA
			System clock = 40MHz	9.61	mA

#### 24.2.2.3 Deep sleep mode

Table 17 shows the deep sleep mode operation supply current.

Table 17 Deep sleep mode supply current

Symbol	Parameter	Conditions1	Condition2	Typ	Unit
I <sub>DD_DSLP</sub>	Supply current	After enter deep sleep mode All peripheral clocks OFF	-	2.49	mA

## 24.3 I/O PAD Characteristics

### 24.3.1 DC Specification

Table 18 shows the DC specification of W7500 I/O PAD.

Table 18 DC specification of PAD

Symbol	Parameter	Conditions	Min	Max	Unit
V <sub>IH</sub>	I/O Input high voltage		2.145		V
V <sub>IL</sub>	I/O Input low voltage			1.155	V
V <sub>HYS</sub>	Schmitt trigger hysteresis		0.33		V
I <sub>IH</sub>	I/O Input high current			1	uA
I <sub>IL</sub>	I/O Input low current		-1		uA
V <sub>OH</sub>	I/O Output high voltage	High driving strength Iload = 6mA Low driving strength Iload = 3mA	2.5		V
V <sub>OL</sub>	I/O Output high voltage	High driving strength Iload = 6mA Low driving strength Iload = 3mA		0.5	V
R <sub>pup</sub> R <sub>pdn</sub>	Pull-up/Pull-down resistor		20	100	KOhm

## 24.4 Flash memory

Table 19 shows the flash memory reliability characteristics of W7500

Table 19 Flash memory Reliability Characteristics

Symbol	Parameter	Min	Unit
N <sub>END</sub>	Sector Endurance	10,000	Cycles
T <sub>DR</sub>	Data Retention	10	Years

## 24.5 Electrical Sensitivity Characteristics

### 24.5.1 Electostatic discharge (ESD)

Table 20 shows the ESD information of W7500

Table 20 Electrostatic discharge (ESD)

Symbol	Parameter	Test Method	Min	Max	Unit
V <sub>ESD(HBM)</sub>	Electostatic discharge (Human body model)	AEC-Q100-002	±2000	-	V
V <sub>ESD(CDM)</sub>	Electostatic discharge (Charge device model)	AEC-Q100-011	±500	-	V

### 24.5.2 Static latch-up

Table 21 shows the Static latch-up information of W7500

Table 21 Static latch-up

Symbol	Parameter	Test Method	Min	Max	Unit
--------	-----------	-------------	-----	-----	------

$I_{LAT}$	Latch up current at 125°C ambient temperature	AEC-Q100-004	$\pm 100$	-	V
-----------	---	--------------	-----------	---	---

## 24.6 ADC Characteristics

### 24.6.1 ADC Electrical characteristics

Table 22 shows the ADC electrical characteristics of W7500

Table 22 ADC electrical characteristics

Symbol	Parameter	Conditions	Min	Typ	Max	Unit
IN[15:0]	Analog input channel		$V_{SS}$	-	VREFP	V
VREFP	Reference voltage of REFP			$V_{DD}$		V
RES	Resolution			12		Bits
Offset error			-3.0	$\pm 1.5$	3.0	LSB
INL	Integral non-linearity error		-2.0	$\pm 1.0$	2.0	LSB
DNL	Differential non-linearity error		-1.0	$\pm 0.8$	1.5	LSB
Fclk	Clock frequency				16	MHz
SPS	Sampling rate		30	500	1000	K
TS	Sampling time		$4/F_{clk}$			
TC	Conversion time			12		$1/F_{clk}$
SNDR	Signal-noise plus distortion ratio	At 10KHz		64		dB
THD	Total harmonic distortion	At 10KHz		-65		dB
SFDR	Spurious-free dynamic range	At 10KHz		64		dB



## 24.6.2 ADC Transform function description

Figure 81. ADC transform function shows the ADC transform function of W7500.

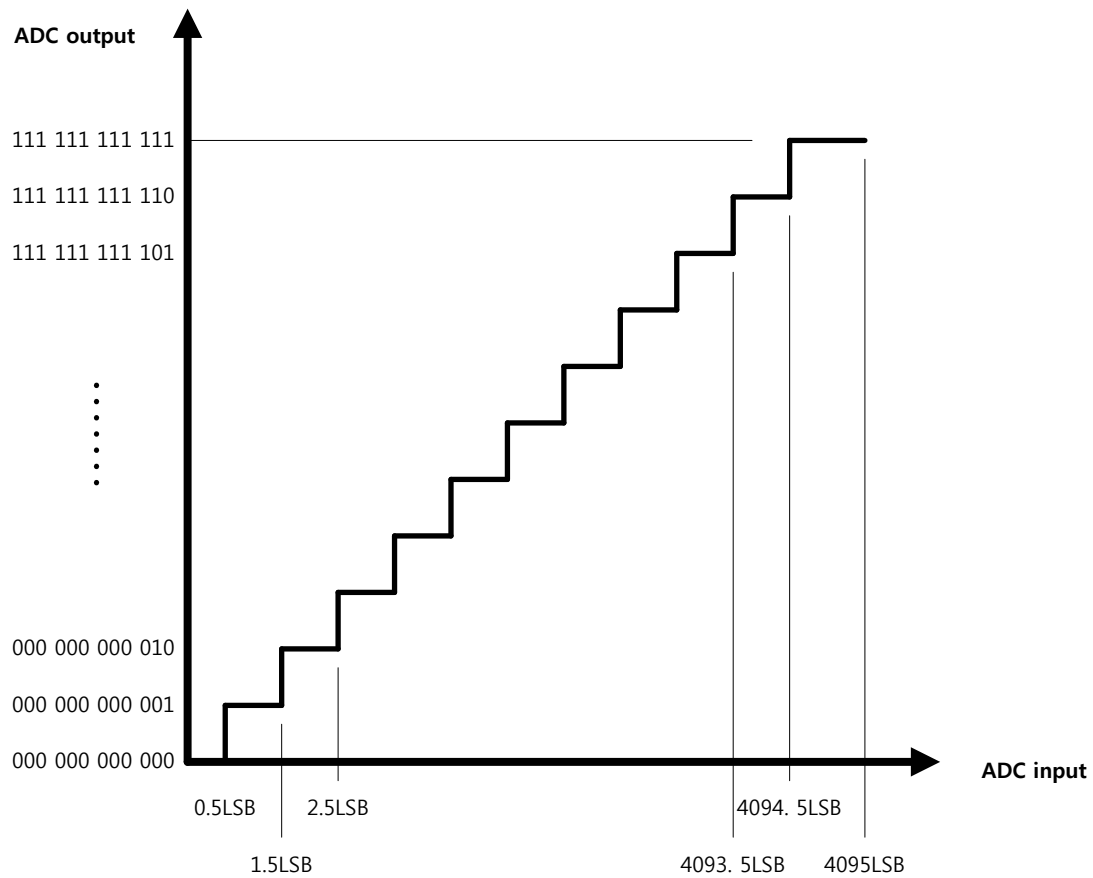


Figure 81. ADC transform function

## 24.7 I2C interface Characteristics

Table 23 shows the I2C characteristics of W7500. And also refer to Figure 82. This is AC wave form of I2C.

Table 23 I2C characteristics

Symbol	Parameter	Standard		Fast		Unit
		Min	Max	Min	Max	
$f_{SCL}$	CLK clock frequency	0	100	0	400	KHz
$t_{LOW}$	Low period of the SCL clock	4.5		1.0		us
$t_{HIGH}$	High period of SCL clock	3.8		0.5		us
$t_r$	Rise time of SCL and SDA		1000		300	ns
$t_f$	Fall time SCL and SDA		300		300	ns
$t_{HD\_DAT}$	Data hold time	0		0		us
$t_{VD\_DAT}$	Data valid time		3.5		1.0	us

$t_{SU\_DAT}$	Data setup time	200		90		ns
$t_{VD\_ACK}$	Data valid acknowledge time		3.5		1.0	us
$t_{HD\_STA}$	Hold time START condition	3.8		0.5		us
$t_{SU\_STA}$	Set-up time for a repeat START condition	4.5		0.5		us
$t_{SU\_STO}$	Set-up time for STOP condition	3.8		0.5		us

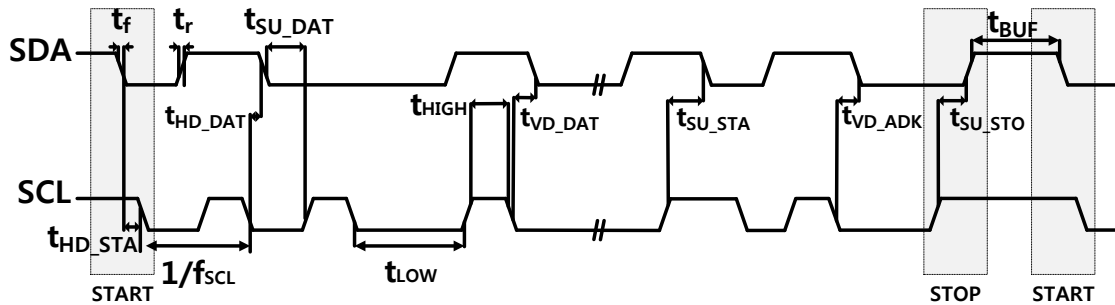


Figure 82. I2C bus AC waveform

## 24.8 SSP Interface Characteristics

Table 24 shows the SSP characteristics of W7500.

Table 24 SSP characteristics

Symbol	Parameter	Conditions	Min	Max	Unit
$f_{SCL}$	SSP clock frequency	Master mode		20	MHz
		Slave mode		20	MHz
$t_{r\_SCK}$	SSP clock rising and fall time	Capacitive load : C = 25pF		8	ns
$t_{SU\_M}$	Data input setup time	Master mode	5		ns
$t_{SU\_S}$		Slave mode	6		ns
$t_{H\_M}$	Data input hold time	Master mode	5		ns
$t_{H\_S}$		Slave mode	6		ns
$t_{V\_M}$	Data output valid time	Master mode		20	ns
$t_{V\_S}$		Slave mode		5	ns
$t_{H\_M}$	Data output hold time	Master mode	13		
$t_{H\_S}$		Slave mode	3		
DuCy	SPI slave input clock duty cycle	Slave mode	45	55	%

## 25 Package Characteristics

### 25.1 Package dimension information

Figure 83 shows the package dimension information.

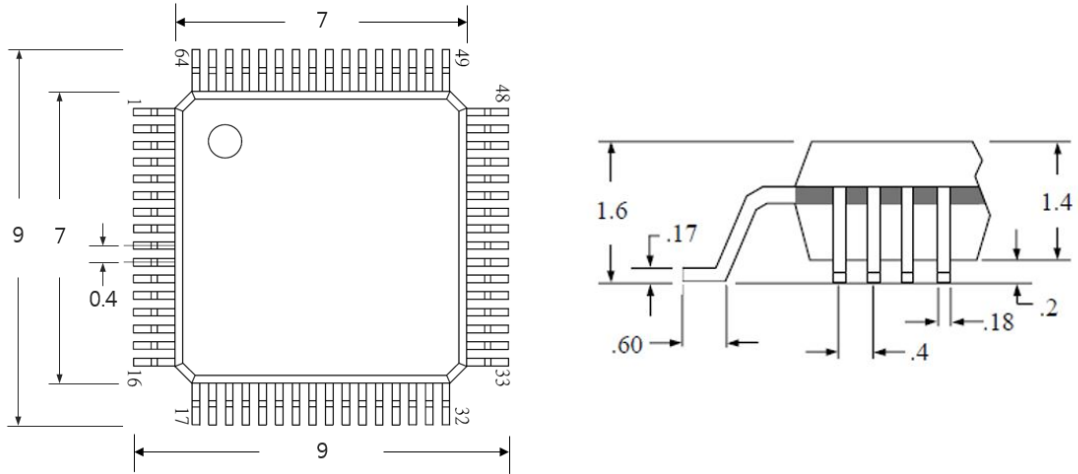


Figure 83. Package Dimension Information

---

## Document History Information

Version	Date	Descriptions
Ver. 1.0.0	01MAY2015	Initial Release
Ver. 1.0.1	12JUNE2015	Corrected typing error: I2C block
Ver. 1.0.2	17AUG2015	<ol style="list-style-type: none"><li>Deleted 1.1 List of abbreviations.</li><li>Corrected Register acronym in Table 3. Offset Address for Common Register : PSID -&gt; PSIDR.</li><li>Deleted PP mode with Figure 6 &amp; Table 5 in 8. Booting Sequence</li><li>Changed words : polling INT bit -&gt; checking INT register in 17.3.2 Operation ADC with interrupt.</li><li>Deleted unneeded content in 9.2.2 Read operations.</li><li>Corrected nUARTRTS asserted condition : HIGH -&gt; LOW , Corrected the sentence, 'When nUARTCTR is re-asserted(to a low value) the transmitter sends the next byte.' : de-asserted -&gt; re-asserted in 22.3.4 Hardware flow control.</li><li>Deleted RTCCLK (P36, P37)</li></ol>

---

## Copyright Notice

Copyright 2015 WIZnet Co., Ltd. All Rights Reserved.

Technical Support: <http://wizwiki.net/forum>

Sales & Distribution: [sales@wiznet.co.kr](mailto:sales@wiznet.co.kr)

For more information, visit our website at <http://www.wiznet.co.kr>