

**UUSB3 SERIES**

# MICRO USB 3.0 INTERFACES

**SPECIFICATIONS**

For complete specifications and recommended PCB layouts see [www.samtec.com?UUSB3](http://www.samtec.com?UUSB3)

**Insulator Material:**

Nylon 9T Black

**Contact Material:**

Phosphor Copper

**Plating:**

Au or Sn over

50µ" (1.27µm) Ni

**Shield Plating:**

50µ" (1.27µm) Ni

**Operating Temp Range:**

-50°C to +85°C

**Current Rating:**

1.8 A ground and VBUS, 0.25A per other contact

**Voltage Rating:**

100 VAC

**Contact Resistance:**

50 mΩ max

**Cycles:**

10,000

**RoHS Compliant:**

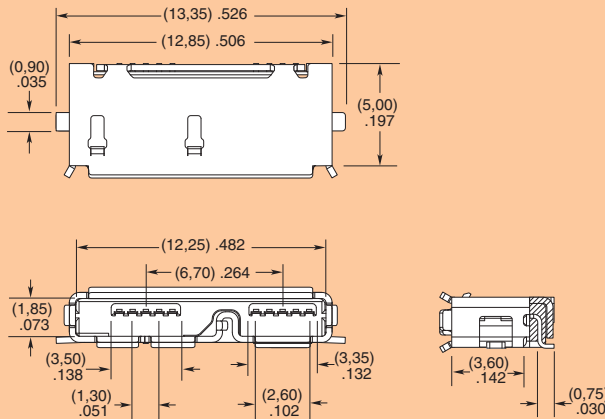
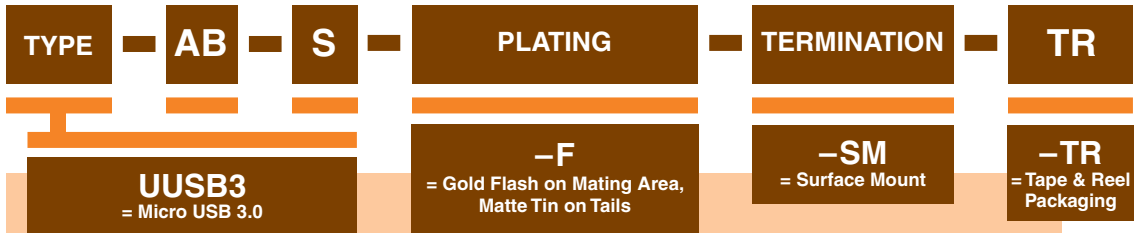
Yes

USB 3.0 port- works parallel with USB 2.0 port

Surface Mount

Meets USB 3.0 Specifications

USB 2.0 port



Due to technical progress, all designs, specifications and components are subject to change without notice.

[WWW.SAMTEC.COM](http://WWW.SAMTEC.COM)