

---

## 6-Port USB 3.1 Gen 1 Smart Hub with Support for Multiple USB Type-C™ UFP and DFP

---

### Highlights

- USB Hub Feature Controller Hub with:
  - 2 USB 3.1 Gen 1 USB Type-C™ downstream ports
  - 2 USB 3.1 Gen 1 legacy downstream ports
  - 2 USB 2.0 legacy downstream ports
  - USB Type-C upstream port
- USB-IF Battery Charger revision 1.2 support on up & downstream ports (DCP, CDP, SDP)
- Internal Hub Feature Controller device enables:
  - USB to I<sup>2</sup>C/SPI/GPIO bridge endpoint support
  - USB to internal hub register write and read
- USB Link Power Management (LPM) support
- Enhanced OEM configuration options available through either OTP or SPI ROM
- Available in 100-pin (12mm x 12mm) VQFN RoHS compliant package
- Commercial and industrial grade temperature support

### Target Applications

- Standalone USB Hubs
- Laptop Docks
- PC Motherboards
- PC Monitor Docks
- Multi-function USB 3.1 Gen 1 Peripherals

### Key Benefits

- USB 3.1 Gen 1 compliant 5 Gbps, 480 Mbps, 12 Mbps, and 1.5Mbps operation
  - 5V tolerant USB 2.0 pins
  - 1.32V tolerant USB 3.1 Gen 1 pins
  - Integrated termination and pull-up/down resistors
- Native USB Type-C Support
  - Integrated Multiplexer on USB Type-C enabled ports
  - USB 3.1 Gen 1 PHYs are disabled until a valid USB Type-C attach is detected, saving idle power

- Supports battery charging of most popular battery powered devices on all ports
  - USB-IF Battery Charging rev. 1.2 support (DCP, CDP, SDP)
  - Apple® portable product charger emulation
  - Chinese YD/T 1591-2006 charger emulation
  - Chinese YD/T 1591-2009 charger emulation
  - European Union universal mobile charger support
  - Support for Microchip UCS100x family of battery charging controllers
  - Supports additional portable devices
- Smart port controller operation
  - Firmware handling of companion port power controllers
- On-chip microcontroller
  - manages I/Os, VBUS, and other signals
- 8 KB RAM, 64 KB ROM
- 8 KB One-Time-Programmable (OTP) ROM
  - Includes on-chip charge pump
- Configuration programming via OTP ROM, SPI ROM, or SMBus
- **PortSwap**
  - Configurable USB 2.0 differential pair signal swap
- **PHYBoost™**
  - Programmable USB transceiver drive strength for recovering signal integrity
- **VariSense™**
  - Programmable USB receive sensitivity
- **Port Split**
  - USB2.0 and USB3.1 Gen1 port operation can be split for custom applications using embedded USB3.x devices in parallel with USB2.0 devices.
- USB Power Delivery Billboard Device Support
  - Internal port can enumerate as a Power Delivery Billboard device to communicate Power Delivery Alternate Mode negotiation failure cases to USB host
- Compatible with Microsoft Windows 10, 8, 7, XP, Apple OS X 10.4+, and Linux hub drivers
- Optimized for low-power operation and low thermal dissipation
- Package
  - 100-pin VQFN (12mm x 12mm)

## TO OUR VALUED CUSTOMERS

It is our intention to provide our valued customers with the best documentation possible to ensure successful use of your Microchip products. To this end, we will continue to improve our publications to better suit your needs. Our publications will be refined and enhanced as new volumes and updates are introduced.

If you have any questions or comments regarding this publication, please contact the Marketing Communications Department via E-mail at [docerrors@microchip.com](mailto:docerrors@microchip.com) or fax the **Reader Response Form** in the back of this data sheet to (480) 792-4150. We welcome your feedback.

### Most Current Data Sheet

To obtain the most up-to-date version of this data sheet, please register at our Worldwide Web site at:

<http://www.microchip.com>

You can determine the version of a data sheet by examining its literature number found on the bottom outside corner of any page. The last character of the literature number is the version number, (e.g., DS30000A is version A of document DS30000).

### Errata

An errata sheet, describing minor operational differences from the data sheet and recommended workarounds, may exist for current devices. As device/documentation issues become known to us, we will publish an errata sheet. The errata will specify the revision of silicon and revision of document to which it applies.

To determine if an errata sheet exists for a particular device, please check with one of the following:

- Microchip's Worldwide Web site; <http://www.microchip.com>
- Your local Microchip sales office (see last page)

When contacting a sales office, please specify which device, revision of silicon and data sheet (include literature number) you are using.

### Customer Notification System

Register on our web site at [www.microchip.com](http://www.microchip.com) to receive the most current information on all of our products.

## TABLE OF CONTENTS

Introduction ..... 7  
Pin Descriptions and Configuration ..... 6  
Functional Descriptions ..... 9  
Operational Characteristics..... 13  
System Application ..... 19  
Package Outlines ..... 26  
Revision History ..... 29  
The Microchip Web Site ..... 30  
Customer Change Notification Service ..... 30  
Customer Support ..... 30  
Product Identification System ..... 31

# USB5926

---

## 1.0 PREFACE

### 1.1 General Terms

TABLE 1-1: GENERAL TERMS

| Term                   | Description  |
|------------------------|--|
| ADC                    | Analog-to-Digital Converter  |
| Byte                   | 8 bits   |
| CDC                    | Communication Device Class   |
| CSR                    | Control and Status Registers   |
| DWORD                  | 32 bits  |
| EOP                    | End of Packet  |
| EP                     | Endpoint   |
| FIFO                   | First In First Out buffer  |
| FS                     | Full-Speed   |
| FSM                    | Finite State Machine   |
| GPIO                   | General Purpose I/O  |
| HS                     | Hi-Speed   |
| HSOS                   | High Speed Over Sampling   |
| Hub Feature Controller | The Hub Feature Controller, sometimes called a Hub Controller for short is the internal processor used to enable the unique features of the USB Controller Hub. This is not to be confused with the USB Hub Controller that is used to communicate the hub status back to the Host during a USB session. |
| I <sup>2</sup> C       | Inter-Integrated Circuit   |
| LS                     | Low-Speed  |
| lsb                    | Least Significant Bit  |
| LSB                    | Least Significant Byte   |
| msb                    | Most Significant Bit   |
| MSB                    | Most Significant Byte  |
| N/A                    | Not Applicable   |
| NC                     | No Connect   |
| OTP                    | One Time Programmable  |
| PCB                    | Printed Circuit Board  |
| PCS                    | Physical Coding Sublayer   |
| PHY                    | Physical Layer   |
| PLL                    | Phase Lock Loop  |
| RESERVED               | Refers to a reserved bit field or address. Unless otherwise noted, reserved bits must always be zero for write operations. Unless otherwise noted, values are not guaranteed when reading reserved bits. Unless otherwise noted, do not read or write to reserved addresses.                             |
| SDK                    | Software Development Kit   |
| SMBus                  | System Management Bus  |
| UUID                   | Universally Unique Identifier  |
| WORD                   | 16 bits  |

## 1.2 Reference Documents

1. *UNICODE UTF-16LE For String Descriptors* USB Engineering Change Notice, December 29th, 2004, <http://www.usb.org>
2. *Universal Serial Bus Revision 3.1 Specification*, <http://www.usb.org>
3. *Battery Charging Specification*, Revision 1.2, Dec. 07, 2010, <http://www.usb.org>
4. *I<sup>2</sup>C-Bus Specification*, Version 1.1, <http://www.nxp.com>
5. *System Management Bus Specification*, Version 1.0, <http://smbus.org/specs>

# USB5926

---

## 2.0 INTRODUCTION

### 2.1 General Description

The Microchip USB5926 hub is a low-power, OEM configurable, USB 3.1 Gen 1 hub controller with 6 downstream ports and advanced features for embedded USB applications. The USB5926 is fully compliant with the Universal Serial Bus Revision 3.1 Specification and USB 2.0 Link Power Management Addendum. The USB5926 supports 5 Gbps Super-Speed (SS), 480 Mbps Hi-Speed (HS), 12 Mbps Full-Speed (FS), and 1.5 Mbps Low-Speed (LS) USB downstream devices on all enabled downstream ports.

The USB5926 supports the legacy USB speeds (HS/FS/LS) through a dedicated USB 2.0 hub controller that is the culmination of five generations of Microchip hub controller design and experience with proven reliability, interoperability, and device compatibility. The SuperSpeed hub controller operates in parallel with the USB 2.0 hub controller, decoupling the 5 Gbps SS data transfers from bottlenecks due to the slower USB 2.0 traffic.

The USB5926 hub feature controller enables OEMs to configure their system using “Configuration Straps.” These straps simplify the configuration process, assigning default values to USB 3.1 Gen 1 ports and GPIOs. OEMs can disable ports, enable battery charging, and define GPIO functions as default assignments on power-up, removing the need for OTP or external SPI ROM.

The USB5926 supports downstream battery charging via the integrated battery charger detection circuitry, which supports the USB-IF Battery Charging (BC1.2) detection method and most Apple devices. The USB5926 provides the battery charging handshake and supports the following USB-IF BC1.2 charging profiles:

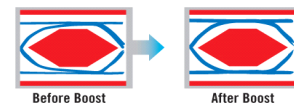
- DCP: Dedicated Charging Port (Power brick with no data)
- CDP: Charging Downstream Port (1.5A with data)
- SDP: Standard Downstream Port (0.5A with data)
- Custom profiles loaded via SMBus or OTP

Additionally, the USB5926 includes many powerful and unique features such as:

**The Hub Feature Controller**, which provides an internal USB device dedicated for use as a USB to I<sup>2</sup>C/UART/SPI/GPIO interface, allowing external circuits or devices to be monitored, controlled, or configured via the USB interface.

**PortSwap**, which adds per-port programmability to USB differential-pair pin locations. PortSwap allows direct alignment of USB signals (D+/D-) to connectors to avoid uneven trace length or crossing of the USB differential signals on the PCB.

**PHYBoost**, which provides programmable levels of Hi-Speed USB signal drive strength in the downstream port transceivers. PHYBoost attempts to restore USB signal integrity in a compromised system environment. The graphic on the right shows an example of Hi-Speed USB eye diagrams before and after PHYBoost signal integrity restoration. in a compromised system environment.



**VariSense**, which controls the USB receiver sensitivity enabling programmable levels of USB signal receive sensitivity. This capability allows operation in a sub-optimal system environment, such as when a captive USB cable is used.

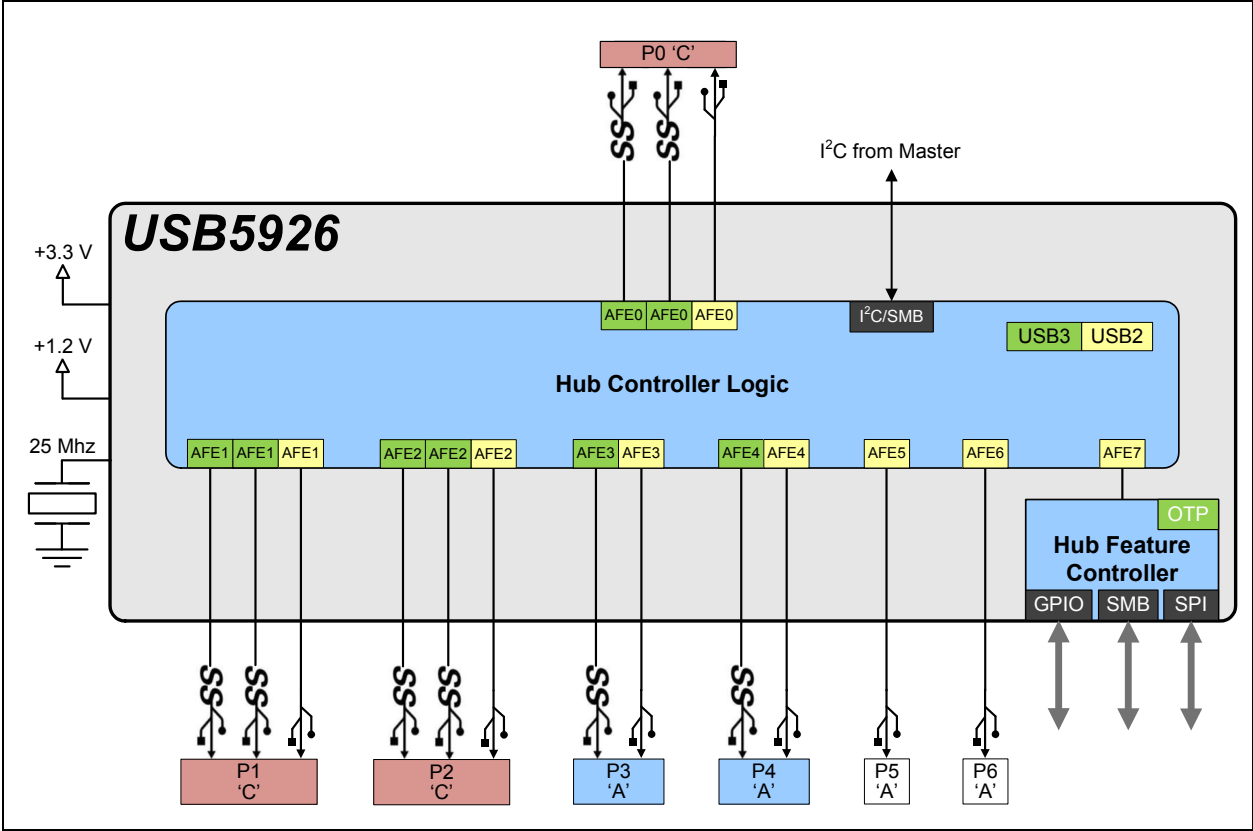
**Port Split**, which allows for the USB3.1 Gen1 and USB2.0 portions of downstream ports 3 and 4 to operate independently and enumerate two separate devices in parallel in special applications.

**USB Power Delivery Billboard Device**, which allows an internal device to enumerate as a Billboard class device when a Power Delivery Alternate Mode negotiation has failed. The Billboard device will enumerate temporarily to the host PC when a failure occurs, as indicated by a digital signal from an external Power Delivery controller.

The USB5926 can be configured for operation through internal default settings. Custom OEM configurations are supported through external SPI ROM or OTP ROM. All port control signal pins are under firmware control in order to allow for maximum operational flexibility, and are available as GPIOs for customer specific use.

The USB5926 is available in commercial (0°C to +70°C) and industrial (-40°C to +85°C) temperature ranges. An internal block diagram of the USB5926 is shown in [Figure 2-1](#).

FIGURE 2-1: INTERNAL BLOCK DIAGRAM

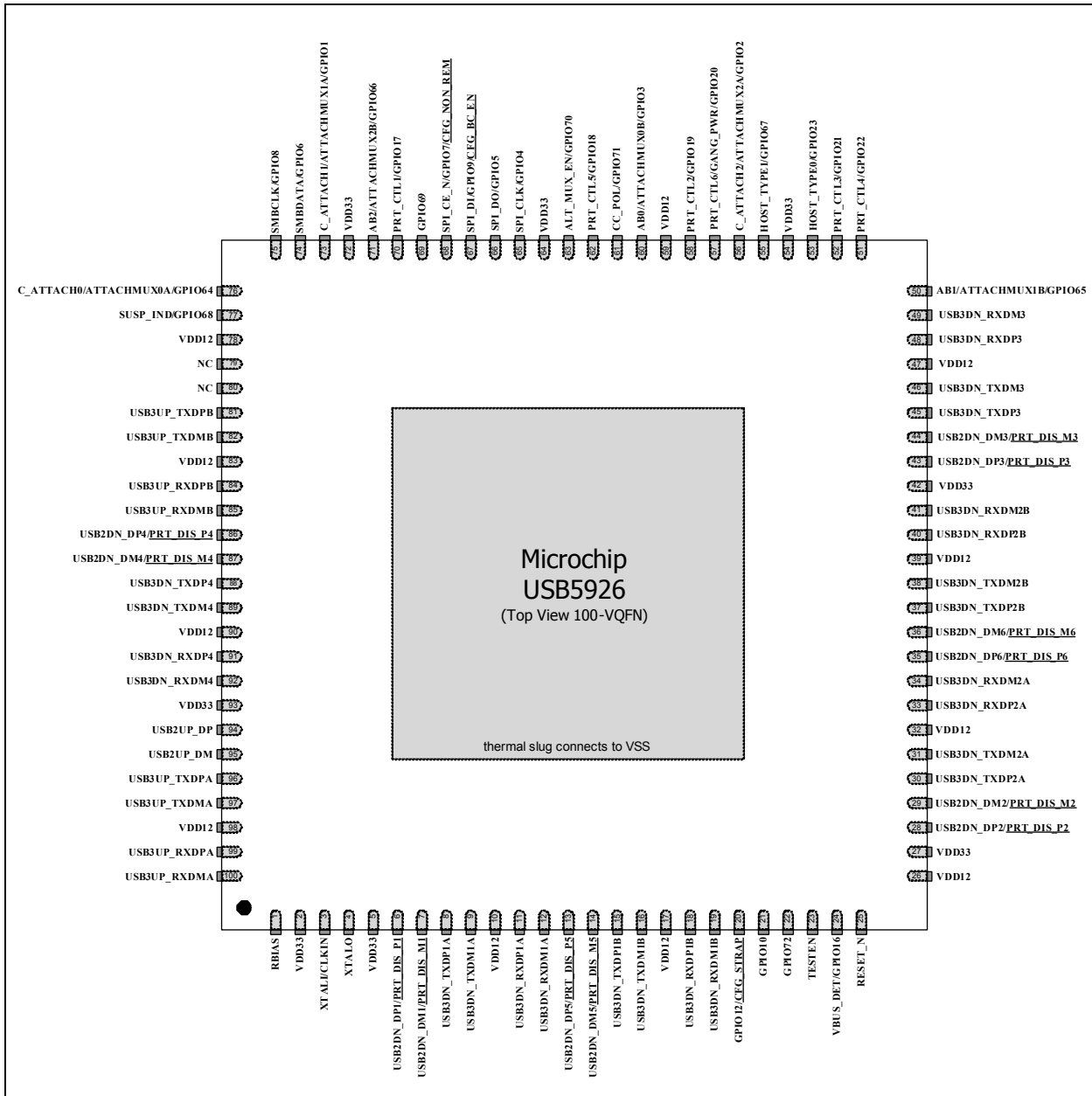


# USB5926

## 3.0 PIN DESCRIPTIONS

### 3.1 Pin Diagram

FIGURE 3-1: PIN ASSIGNMENTS (TOP VIEW)



**Note 1:** Configuration straps are identified by an underlined symbol name. Signals that function as configuration straps must be augmented with an external resistor when connected to a load. Refer to [Section 3.5, Configuration Straps and Programmable Functions](#)



## 3.2 Pin Symbols

| Pin Num. | Pin Name               | Reset  | Pin Num. | Pin Name                     | Reset  |
|----------|------------------------|--------|----------|------------------------------|--------|
| 1        | RBIAS                  | A/P    | 51       | PRT_CTL4/GPIO22              | PD-50k |
| 2        | VDD33                  | A/P    | 52       | PRT_CTL3/GPIO21              | PD-50k |
| 3        | XTALI/CLKIN            | A/P    | 53       | HOST_TYPE0/GPIO23            | PD-50k |
| 4        | XTALO                  | A/P    | 54       | VDD33                        | A/P    |
| 5        | VDD33                  | A/P    | 55       | HOST_TYPE1/GPIO67            | Z      |
| 6        | USB2DN_DP1/PRT_DIS_P1  | PD-15k | 56       | C_ATTACH2/ATTACHMUX2A/GPIO2  | Z      |
| 7        | USB2DN_DM1/PRT_DIS_M1  | PD-15k | 57       | PRT_CTL6/GANG_PWR/GPIO20     | PD-50k |
| 8        | USB3DN_TXDP1A          | Z      | 58       | PRT_CTL2/GPIO19              | PD-50k |
| 9        | USB3DN_TXDM1A          | Z      | 59       | VDD12                        | A/P    |
| 10       | VDD12                  | A/P    | 60       | AB0/ATTACHMUX0B/GPIO3        | Z      |
| 11       | USB3DN_RXDP1A          | Z      | 61       | CC_POL/GPIO71                | Z      |
| 12       | USB3DN_RXDM1A          | Z      | 62       | PRT_CTL5/GPIO18              | PD-50k |
| 13       | USB2DN_DP5/PRT_DIS_P5  | PD-15k | 63       | ALT_MUX_EN/GPIO70            | Z      |
| 14       | USB2DN_DM5/PRT_DIS_M5  | PD-15k | 64       | VDD33                        | A/P    |
| 15       | USB3DN_TXDP1B          | Z      | 65       | SPI_CLK/GPIO4                | Z      |
| 16       | USB3DN_TXDM1B          | Z      | 66       | SPI_DO/GPIO5                 | PD-50k |
| 17       | VDD12                  | A/P    | 67       | SPI_DI/GPIO9/CFG_BC_EN       | Z      |
| 18       | USB3DN_RXDP1B          | Z      | 68       | SPI_CE_N/GPIO7/CFG_NON_REM   | PU-50k |
| 19       | USB3DN_RXDM1B          | Z      | 69       | GPIO69                       | Z      |
| 20       | GPIO12/CFG_STRAP       | Z      | 70       | PRT_CTL1/GPIO17              | PD-50k |
| 21       | GPIO10                 | Z      | 71       | AB2/ATTACHMUX2B/GPIO66       | Z      |
| 22       | GPIO72                 | Z      | 72       | VDD33                        | A/P    |
| 23       | TESTEN                 | Z      | 73       | C_ATTACH1/ATTACHMUX1A/GPIO1  | Z      |
| 24       | VBUS_DET/GPIO16        | Z      | 74       | SMBDATA/GPIO6                | Z      |
| 25       | RESET_N                | R      | 75       | SMBCLK/GPIO8                 | Z      |
| 26       | VDD12                  | A/P    | 76       | C_ATTACH0/ATTACHMUX0A/GPIO64 | Z      |
| 27       | VDD33                  | A/P    | 77       | SUSP_IND/GPIO68              | Z      |
| 28       | USB2DN_DP2/PRT_DIS_P2  | PD-15k | 78       | VDD12                        | A/P    |
| 29       | USB2DN_DM2/PRT_DIS_M2  | PD-15k | 79       | NC                           | PD-15k |
| 30       | USB3DN_TXDP2A          | Z      | 80       | NC                           | PD-15k |
| 31       | USB3DN_TXDM2A          | Z      | 81       | USB3UP_TXDPB                 | Z      |
| 32       | VDD12                  | A/P    | 82       | USB3UP_TXDMB                 | Z      |
| 33       | USB3DN_RXDP2A          | Z      | 83       | VDD12                        | A/P    |
| 34       | USB3DN_RXDM2A          | Z      | 84       | USB3UP_RXDPB                 | Z      |
| 35       | USB2DN_DP6/PRT_DIS_P6  | PD-15k | 85       | USB3UP_RXDMB                 | Z      |
| 36       | USB2DN_DM6/PRT_DIS_M6  | PD-15k | 86       | USB2DN_DP4/PRT_DIS_P4        | PD-15k |
| 37       | USB3DN_TXDP2B          | Z      | 87       | USB2DN_DM4/PRT_DIS_M4        | PD-15k |
| 38       | USB3DN_TXDM2B          | Z      | 88       | USB3DN_TXDP4                 | Z      |
| 39       | VDD12                  | A/P    | 89       | USB3DN_TXDM4                 | Z      |
| 40       | USB3DN_RXDP2B          | Z      | 90       | VDD12                        | A/P    |
| 41       | USB3DN_RXDM2B          | Z      | 91       | USB3DN_RXDP4                 | Z      |
| 42       | VDD33                  | A/P    | 92       | USB3DN_RXDM4                 | Z      |
| 43       | USB2DN_DP3/PRT_DIS_P3  | PD-15k | 93       | VDD33                        | A/P    |
| 44       | USB2DN_DM3/PRT_DIS_M3  | PD-15k | 94       | USB2UP_DP                    | PD-1M  |
| 45       | USB3DN_TXDP3           | Z      | 95       | USB2UP_DM                    | PD-1M  |
| 46       | USB3DN_TXDM3           | Z      | 96       | USB3UP_TXDPA                 | Z      |
| 47       | VDD12                  | A/P    | 97       | USB3UP_TXDMA                 | Z      |
| 48       | USB3DN_RXDP3           | Z      | 98       | VDD12                        | A/P    |
| 49       | USB3DN_RXDM3           | Z      | 99       | USB3UP_RXDPA                 | Z      |
| 50       | AB1/ATTACHMUX1B/GPIO65 | Z      | 100      | USB3UP_RXDMA                 | Z      |

# USB5926

The pin reset state definitions are detailed in [Table 3-1](#).

**TABLE 3-1: PIN RESET STATE LEGEND**

| Symbol | Description                                      |
|--------|--|
| A/P    | Analog/Power Input                               |
| R      | Reset Control Input                              |
| Z      | Hardware disables output driver (high impedance) |
| PU-50k | Hardware enables internal 50kΩ pull-up           |
| PD-50k | Hardware enables internal 50kΩ pull-down         |
| PD-15k | Hardware enables internal 15kΩ pull-down         |
| PD-1M  | Hardware enables internal 1M pull-down           |

## 3.3 USB5926 Pin Descriptions

This section contains descriptions of the various USB5926 pins. The pin descriptions have been broken into functional groups as follows:

- [USB 3.1 Gen 1 Pin Descriptions](#)
- [USB 2.0 Pin Descriptions](#)
- [Port Control Pin Descriptions](#)
- [SPI Interface](#)
- [USB Type-C Connector Controls](#)
- [Miscellaneous Pin Descriptions](#)
- [Configuration Strap Pin Descriptions](#)
- [Power and Ground Pin Descriptions](#)

The “\_N” symbol in the signal name indicates that the active, or asserted, state occurs when the signal is at a low voltage level. For example, `RESET_N` indicates that the reset signal is active low. When “\_N” is not present after the signal name, the signal is asserted when at the high voltage level.

The terms assertion and negation are used exclusively. This is done to avoid confusion when working with a mixture of “active low” and “active high” signal. The term assert, or assertion, indicates that a signal is active, independent of whether that level is represented by a high or low voltage. The term negate, or negation, indicates that a signal is inactive.

**TABLE 3-2: USB 3.1 GEN 1 PIN DESCRIPTIONS**

| Name                           | Symbol       | Buffer Type | Description   |
|--------------------------------|--------------|-------------|---|
| USB 3.1 Gen 1 Upstream A D+ TX | USB3UP_TXDPA | I/O-U       | Upstream USB Type-C “Orientation A” USB 3.1 Gen 1 Transmit Data Plus  |
| USB 3.1 Gen 1 Upstream A D- TX | USB3UP_TXDMA | I/O-U       | Upstream USB Type-C “Orientation A” USB 3.1 Gen 1 Transmit Data Minus |
| USB 3.1 Gen 1 Upstream A D+ RX | USB3UP_RXDPA | I/O-U       | Upstream USB Type-C “Orientation A” USB 3.1 Gen 1 Receive Data Plus   |

**TABLE 3-2: USB 3.1 GEN 1 PIN DESCRIPTIONS (CONTINUED)**

| Name                                  | Symbol                   | Buffer Type | Description   |
|---------------------------------------|--------------------------|-------------|---|
| USB 3.1 Gen 1<br>Upstream A<br>D- RX  | <b>USB3UP_RXDMA</b>      | I/O-U       | Upstream USB Type-C “Orientation A” USB 3.1 Gen 1 Receive Data Minus                      |
| USB 3.1 Gen 1<br>Upstream B<br>D+ TX  | <b>USB3UP_TXDPB</b>      | I/O-U       | Upstream USB Type-C “Orientation B” USB 3.1 Gen 1 Transmit Data Plus                      |
| USB 3.1 Gen 1<br>Upstream B<br>D- TX  | <b>USB3UP_TXDMB</b>      | I/O-U       | Upstream USB Type-C “Orientation B” USB 3.1 Gen 1 Transmit Data Minus                     |
| USB 3.1 Gen 1<br>Upstream B<br>D+ RX  | <b>USB3UP_RXDPB</b>      | I/O-U       | Upstream USB Type-C “Orientation B” USB 3.1 Gen 1 Receive Data Plus                       |
| USB 3.1 Gen 1<br>Upstream B<br>D- RX  | <b>USB3UP_RXDMB</b>      | I/O-U       | Upstream USB Type-C “Orientation B” USB 3.1 Gen 1 Receive Data Minus                      |
| USB 3.1 Gen 1<br>Ports 4-3<br>D+ TX   | <b>USB3DN_TXDP[4:3]</b>  | I/O-U       | Downstream Super Speed Transmit Data Plus, ports 4 through 3.                             |
| USB 3.1 Gen 1<br>Ports 4-3<br>D- TX   | <b>USB3DN_TXDM[4:3]</b>  | I/O-U       | Downstream Super Speed Transmit Data Minus, ports 4 through 3.                            |
| USB 3.1 Gen 1<br>Ports 4-3<br>D+ RX   | <b>USB3DN_RXDP[4:3]</b>  | I/O-U       | Downstream Super Speed Receive Data Plus, ports 4 through 3.                              |
| USB 3.1 Gen 1<br>Ports 4-3<br>D- RX   | <b>USB3DN_RXDM[4:3]</b>  | I/O-U       | Downstream Super Speed Receive Data Minus, ports 4 through 3.                             |
| USB 3.1 Gen 1<br>Ports 2-1 A<br>D+ TX | <b>USB3DN_TXDP[2:1]A</b> | I/O-U       | Downstream USB Type-C “Orientation A” Super Speed Transmit Data Plus, ports 2 through 1.  |
| USB 3.1 Gen 1<br>Ports 2-1 A<br>D- TX | <b>USB3DN_TXDM[2:1]A</b> | I/O-U       | Downstream USB Type-C “Orientation A” Super Speed Transmit Data Minus, ports 2 through 1. |
| USB 3.1 Gen 1<br>Ports 2-1 A<br>D+ RX | <b>USB3DN_RXDP[2:1]A</b> | I/O-U       | Downstream USB Type-C “Orientation A” Super Speed Receive Data Plus, ports 2 through 1.   |
| USB 3.1 Gen 1<br>Ports 2-1 A<br>D- RX | <b>USB3DN_RXDM[2:1]A</b> | I/O-U       | Downstream USB Type-C “Orientation A” Super Speed Receive Data Minus, ports 2 through 1.  |
| USB 3.1 Gen 1<br>Ports 2-1 B<br>D+ TX | <b>USB3DN_TXDP[2:1]B</b> | I/O-U       | Downstream USB Type-C “Orientation B” Super Speed Transmit Data Plus, ports 2 through 1.  |

# USB5926

**TABLE 3-2: USB 3.1 GEN 1 PIN DESCRIPTIONS (CONTINUED)**

| Name                                  | Symbol            | Buffer Type | Description   |
|---------------------------------------|-------------------|-------------|---|
| USB 3.1 Gen 1<br>Ports 2-1 B<br>D- TX | USB3DN_TXDM[2:1]B | I/O-U       | Downstream USB Type-C “Orientation B” Super Speed Transmit Data Minus, ports 2 through 1. |
| USB 3.1 Gen 1<br>Ports 2-1 B<br>D+ RX | USB3DN_RXDP[2:1]B | I/O-U       | Downstream USB Type-C “Orientation B” Super Speed Receive Data Plus, ports 2 through 1.   |
| USB 3.1 Gen 1<br>Ports 2-1 B<br>D- RX | USB3DN_RXDM[2:1]B | I/O-U       | Downstream USB Type-C “Orientation B” Super Speed Receive Data Minus, ports 2 through 1.  |

**TABLE 3-3: USB 2.0 PIN DESCRIPTIONS**

| Name                      | Symbol         | Buffer Type | Description   |
|---------------------------|----------------|-------------|---|
| USB 2.0<br>Upstream<br>D+ | USB2UP_DP      | I/O-U       | Upstream USB 2.0 Data Plus (D+)   |
| USB 2.0<br>Upstream<br>D- | USB2UP_DM      | I/O-U       | Upstream USB 2.0 Data Minus (D-)  |
| USB 2.0<br>Ports 6 D+     | USB2DN_DP[6:1] | I/O-U       | Downstream USB 2.0 Ports 6-1 Data Plus (D+)   |
| USB 2.0<br>Ports 6 D-     | USB2DN_DM[6:1] | I/O-U       | Downstream USB 2.0 Ports 6-1 Data Minus (D-)  |
| VBUS Detect               | VBUS_DET       | IS          | <p>This signal detects the state of the upstream bus power.</p> <p>When designing a detachable hub, this pin must be connected to the VBUS power pin of the upstream USB port through a resistor divider (50 kΩ by 100 kΩ) to provide 3.3 V.</p> <p>For self-powered applications with a permanently attached host, this pin must be connected to either 3.3 V or 5.0 V through a resistor divider to provide 3.3 V.</p> <p>In embedded applications, <b>VBUS_DET</b> may be controlled (toggled) when the host desires to renegotiate a connection without requiring a full reset of the device.</p> |

**TABLE 3-4: PORT CONTROL PIN DESCRIPTIONS**

| Name   | Symbol          | Buffer Type    | Description  |
|--|-----------------|----------------|--|
| Port 6<br>Power Enable /<br>Overcurrent<br>Sense | <b>PRT_CTL6</b> | I/OD12<br>(PU) | <p>Port 6 Power Enable / Overcurrent Sense.</p> <p>When the downstream port is enabled, this pin is set as an input with an internal pull-up resistor applied. The internal pull-up enables power to the downstream port while the pin monitors for an active low overcurrent signal assertion from an external current monitor on USB port 6.</p> <p>This pin will change to an output and be driven low when the port is disabled by configuration or by the host control.</p> |
| Port 5<br>Power Enable /<br>Overcurrent<br>Sense | <b>PRT_CTL5</b> | I/OD12<br>(PU) | <p>Port 5 Power Enable / Overcurrent Sense.</p> <p>When the downstream port is enabled, this pin is set as an input with an internal pull-up resistor applied. The internal pull-up enables power to the downstream port while the pin monitors for an active low overcurrent signal assertion from an external current monitor on USB port 5.</p> <p>This pin will change to an output and be driven low when the port is disabled by configuration or by the host control.</p> |
| Port 4<br>Power Enable /<br>Overcurrent<br>Sense | <b>PRT_CTL4</b> | I/OD12<br>(PU) | <p>Port 4 Power Enable / Overcurrent Sense.</p> <p>When the downstream port is enabled, this pin is set as an input with an internal pull-up resistor applied. The internal pull-up enables power to the downstream port while the pin monitors for an active low overcurrent signal assertion from an external current monitor on USB port 4.</p> <p>This pin will change to an output and be driven low when the port is disabled by configuration or by the host control.</p> |
| Port 3<br>Power Enable /<br>Overcurrent<br>Sense | <b>PRT_CTL3</b> | I/OD12<br>(PU) | <p>Port 3 Power Enable / Overcurrent Sense.</p> <p>When the downstream port is enabled, this pin is set as an input with an internal pull-up resistor applied. The internal pull-up enables power to the downstream port while the pin monitors for an active low overcurrent signal assertion from an external current monitor on USB port 3.</p> <p>This pin will change to an output and be driven low when the port is disabled by configuration or by the host control.</p> |

# USB5926

**TABLE 3-4: PORT CONTROL PIN DESCRIPTIONS (CONTINUED)**

| Name                                    | Symbol          | Buffer Type | Description  |
|---|-----------------|-------------|--|
| Port 2 Power Enable / Overcurrent Sense | <b>PRT_CTL2</b> | I/OD12 (PU) | <p>Port 2 Power Enable / Overcurrent Sense.</p> <p>When the downstream port is enabled, this pin is set as an input with an internal pull-up resistor applied. The internal pull-up enables power to the downstream port while the pin monitors for an active low overcurrent signal assertion from an external current monitor on USB port 2.</p> <p>This pin will change to an output and be driven low when the port is disabled by configuration or by the host control.</p> |
| Port 1 Power Enable / Overcurrent Sense | <b>PRT_CTL1</b> | I/OD12 (PU) | <p>Port 1 Power Enable / Overcurrent Sense.</p> <p>When the downstream port is enabled, this pin is set as an input with an internal pull-up resistor applied. The internal pull-up enables power to the downstream port while the pin monitors for an active low overcurrent signal assertion from an external current monitor on USB port 1.</p> <p>This pin will change to an output and be driven low when the port is disabled by configuration or by the host control.</p> |
| Gang Power                              | <b>GANG_PWR</b> | I           | <p><b>GANG_PWR</b> becomes the port control (PRTCTL) pin for all downstream ports when the hub is configured for ganged port power control mode. All port power controllers should be controlled from this pin when the hub is configured for ganged port power mode.</p>  |

**TABLE 3-5: SPI INTERFACE**

| Name            | Symbol          | Buffer Type | Description   |
|-----------------|-----------------|-------------|---|
| SPI Chip Enable | <b>SPI_CE_N</b> | I/O12       | This is the active low SPI chip enable output. If the SPI interface is enabled, this pin must be driven high in power-down states.  |
| SPI Clock       | <b>SPI_CLK</b>  | I/O-U       | This is the SPI clock out to the serial ROM. If the SPI interface is disabled, by setting the SPI_DISABLE bit in the UTIL_CONFIG1 register, this pin becomes <b>GPIO4</b> . If the SPI interface is enabled this pin must be driven low during reset. |
| SPI Data Output | <b>SPI_DO</b>   | I/O-U       | SPI data output, when configured for SPI operation.   |
| SPI Data Input  | <b>SPI_DI</b>   | I/O-U       | SPI data input, when configured for SPI operation.  |

**Note:** If SPI memory device is not used, these pins may not be simply floated. These pins must be handled per their respective alternate pin functions descriptions (CFG\_BC\_EN and CFG\_NON\_REM).

**TABLE 3-6: USB TYPE-C CONNECTOR CONTROLS**

| Name                                     | Symbol               | Buffer Type | Description  |
|--|----------------------|-------------|--|
| USB Type-C Attach Control Input 0-2      | <b>C_ATTACH[0:2]</b> | I (PD)      | <p>“Type-C Control Mode 1” USB Type-C attach control input.</p> <p>This pin indicates to the hub when a valid USB Type-C attach has been detected. This pin is used by the hub to enable the USB 3.1 Gen 1 PHY when a Type-C connection is present. When there is no USB Type-C connection present, the USB 3.1 Gen 1 PHY is disabled to reduce power consumption.</p> <p>The polarity of this input is controlled via the <b>CC_POL</b> pin. If <b>CC_POL</b> is low, this pin behaves as follows:</p> <ul style="list-style-type: none"> <li>- 1: USB Type-C attach detected, turn respective USB 3.1 Gen 1 PHY on.</li> <li>- 0: No USB Type-C attach detected, turn respective USB 3.1 Gen 1 PHY off.</li> </ul> <p>If <b>CC_POL</b> is high, this pin behaves as follows:</p> <ul style="list-style-type: none"> <li>- 1: No USB Type-C attach detected, turn respective USB3.1 Gen 1 PHY off.</li> <li>- 0: USB Type-C attach detected, turn respective USB3.1 Gen 1 PHY on.</li> </ul> <p>When using legacy USB Type-A and Type-B connectors, pull these pins to 3.3V to permanently enable all USB 3.1 PHYs.</p> |
| USB Type-C Orientation Control Input 0-2 | <b>AB[0:2]</b>       | I (PD)      | <p>“Type-C Control Mode 1” USB Type-C orientation control input.</p> <p>This pin signals to the hub the orientation of the USB Type-C connector. The hub enables the appropriate USB 3.1 Gen 1 PHY based upon the polarity of this signal, and the assertion of the associated <b>C_ATTACH[0:2]</b> pin.</p> <p>The polarity of this input is controlled via the <b>CC_POL</b> pin. If <b>CC_POL</b> is low, this pin behaves as follows:</p> <ul style="list-style-type: none"> <li>- 1: Enable USB 3.1 Gen 1 PHY B.</li> <li>- 0: Enable USB 3.1 Gen 1 PHY A.</li> </ul> <p>If <b>CC_POL</b> is high, this pin behaves as follows:</p> <ul style="list-style-type: none"> <li>- 1: Enable USB 3.1 Gen 1 PHY A.</li> <li>- 0: Enable USB 3.1 Gen 1 PHY B.</li> </ul>  |

# USB5926

TABLE 3-6: USB TYPE-C CONNECTOR CONTROLS (CONTINUED)

| Name  | Symbol           | Buffer Type | Description  |
|---|------------------|-------------|--|
| USB Type-C Alternative Orientation A Attach 0-2 | ATTACH_MUX[0:2]A | I (PD)      | <p>“Type-C Control Mode 2” Alternative USB Type-C attach for “Orientation A” USB Type-C connections.</p> <p>This mode of control is an alternative to the <b>C_ATTACH[0:2]</b> and <b>AB[0:2]</b> pins. To select this mode, the <b>ALT_MUX_EN</b> pin must be high.</p> <p>When this pin asserted, the hub enables the “Orientation A” USB 3.1 Gen 1 PHY of the associated port. When there is no USB Type-C connection present and this pin is not asserted, the associated USB 3.1 Gen 1 PHY is disabled to reduce power consumption.</p> <p>The polarity of this input is controlled via the <b>CC_POL</b> pin.</p> <p>If <b>CC_POL</b> is low, this pin behaves as follows:</p> <ul style="list-style-type: none"><li>- 1: USB Type-C attach detected, turn respective “Orientation A” USB 3.1 Gen 1 PHY on.</li><li>- 0: No USB Type-C attach detected, turn respective “Orientation A” USB 3.1 Gen 1 PHY off.</li></ul> <p>If <b>CC_POL</b> is high, this pin behaves as follows:</p> <ul style="list-style-type: none"><li>- 1: No USB Type-C attach detected, turn respective “Orientation A” USB 3.1 Gen 1 PHY off.</li><li>- 0: USB Type-C attach detected, turn respective “Orientation A” USB 3.1 Gen 1 PHY on.</li></ul> |



**TABLE 3-6: USB TYPE-C CONNECTOR CONTROLS (CONTINUED)**

| Name  | Symbol           | Buffer Type | Description  |
|---|------------------|-------------|--|
| USB Type-C Alternative Orientation B Attach 0-2 | ATTACH_MUX[0:2]B | I (PD)      | <p>“Type-C Control Mode 2” USB Type-C attach for “Orientation B” USB Type-C connections.</p> <p>This mode of control is an alternative to the <b>C_ATTACH[0:2]</b> and <b>AB[0:2]</b> pins. To select this mode, the <b>ALT_MUX_EN</b> pin must be high.</p> <p>When this pin asserted, the hub enables the “Orientation B” USB 3.1 Gen 1 PHY of the associated port. When there is no USB Type-C connection present and this pin is not asserted, the associated USB 3.1 Gen 1 PHY is disabled to reduce power consumption.</p> <p>The polarity of this input is controlled via the <b>CC_POL</b> pin.</p> <p>If <b>CC_POL</b> is low, this pin behaves as follows:</p> <ul style="list-style-type: none"> <li>- 1: USB Type-C attach detected, turn respective “Orientation B” USB 3.1 Gen 1 PHY on.</li> <li>- 0: No USB Type-C attach detected, turn respective “Orientation B” USB 3.1 Gen 1 PHY off.</li> </ul> <p>If <b>CC_POL</b> is high, this pin behaves as follows:</p> <ul style="list-style-type: none"> <li>- 1: No USB Type-C attach detected, turn respective “Orientation B” USB 3.1 Gen 1 PHY off.</li> <li>- 0: USB Type-C attach detected, turn respective “Orientation A” USB 3.1 Gen 1 PHY on.</li> </ul> |
| Attach Polarity Control                         | CC_POL           | I (PD)      | <p>USB <b>C_ATTACH</b> polarity control input.</p> <p>If this pin is low, the <b>C_ATTACH[0:2]</b>, <b>AB[0:2]</b>, <b>ATTACH_MUX[0:2]A</b>, and <b>ATTACH_MUX[0:2]B</b> pins are active high.</p> <p>If this pin is high, the <b>C_ATTACH[0:2]</b>, <b>AB[0:2]</b>, <b>ATTACH_MUX[0:2]A</b>, and <b>ATTACH_MUX[0:2]B</b> pins are active low.</p> <p>This pin has an internal pull-down enabled. If the desired strapping is to pull this pin low, then this pin may be left unconnected.</p>   |

# USB5926

**TABLE 3-6: USB TYPE-C CONNECTOR CONTROLS (CONTINUED)**

| Name                              | Symbol     | Buffer Type | Description  |
|-----------------------------------|------------|-------------|--|
| USB Type-C Control Mode Selection | ALT_MUX_EN | I (PD)      | <p>USB Type-C control mode selection.</p> <p>If this pin is low, the hub operates in “Type-C Control Mode 1”. In “Type-C Control Mode 1”, the C_ATTACH[0:2] and AB[0:2] pin functions are used.</p> <p>If this pin is high, the hub operates in “Type-C Control Mode 2”. In “Type-C Control Mode 2”, the ATTACH_MUX[0:2]A and ATTACH_MUX[0:2]B pin functions are used.</p> <p>This pin has an internal pull-down enabled. If the desired mode is “Type-C Control Mode 1”, then this pin may be left unconnected.</p> |

**TABLE 3-7: MISCELLANEOUS PIN DESCRIPTIONS**

| Name                              | Symbol  | Buffer Type   | Description  |
|-----------------------------------|---|---------------|--|
| SMBus/I <sup>2</sup> C Clock      | SMBCLK  | I/O12         | <p>SMBus/I<sup>2</sup>C Clock</p> <p>The SMBus/I<sup>2</sup>C interface acts as SMBus slave or I<sup>2</sup>C bridge dependent on the device configuration.</p> <p>For information on how to configure this interface refer to <a href="#">Section 3.5.1, CFG_STRAP Configuration</a>.</p> |
| SMBus/I <sup>2</sup> C Data       | SMBDATA   | I/O12         | <p>SMBus/I<sup>2</sup>C Data</p> <p>The SMBus/I<sup>2</sup>C interface acts as SMBus slave or I<sup>2</sup>C bridge dependent on the device configuration.</p> <p>For information on how to configure this interface refer to <a href="#">Section 3.5.1, CFG_STRAP Configuration</a>.</p>  |
| USB Host Port 1-0 Speed Indicator | HOST_TYPE_[1:0]                                       | O12           | <p>USB Host Port Speed Indicator</p> <p>Tri-state: Not connected<br/>0: USB 3.1 Gen 1<br/>1: USB 2.0 / USB 1.1</p>   |
| General Purpose I/O               | GPIO[1:10],<br>GPIO12,<br>GPIO[16:23],<br>GPIO[64:72] | I/O12 (PU/PD) | <p>General Purpose Inputs/Outputs</p> <p>Refer to <a href="#">Section 3.5.5, General Purpose input/Output Configuration (GPIOx)</a> for details.</p>   |
| USB 2.0 Suspend State Indicator   | SUSP_IND  | O12           | <p>USB 2.0 Suspend State Indicator</p> <p>SUSP_IND can be used as a sideband remote wakeup signal for the host when in USB 2.0 suspend.</p>  |

**TABLE 3-7: MISCELLANEOUS PIN DESCRIPTIONS (CONTINUED)**

| Name                                  | Symbol         | Buffer Type | Description   |
|---------------------------------------|----------------|-------------|---|
| Reset Control Input                   | <b>RESET_N</b> | IS          | Reset Control Input<br><br>This pin places the hub into Reset Mode when pulled low.   |
| Bias Resistor                         | <b>RBIAS</b>   | I-R         | A 12.0 k $\Omega$ (+/- 1%) resistor is attached from ground to this pin to set the transceiver's internal bias settings. Place the resistor as close to the device as possible with a dedicated, low impedance connection to the GND plane. |
| External 25 MHz Crystal Input         | <b>XTALI</b>   | ICLK        | External 25 MHz crystal input   |
| External 25 MHz Reference Clock Input | <b>CLKIN</b>   | ICLK        | External reference clock input.<br><br>The device may alternatively be driven by a single-ended clock oscillator. When this method is used, <b>XTALO</b> should be left unconnected.  |
| External 25 MHz Crystal Output        | <b>XTALO</b>   | OCLK        | External 25 MHz crystal output  |
| Test                                  | <b>TESTEN</b>  | I/O12       | Test pin.<br><br>This signal is used for test purposes and must always be connected to ground.  |
| No Connect                            | <b>NC</b>      | -           | No connect.<br><br>For proper operation, this signal must be left unconnected.  |

**TABLE 3-8: CONFIGURATION STRAP PIN DESCRIPTIONS**

| Name                                    | Symbol                | Buffer Type | Description  |
|---|-----------------------|-------------|--|
| Device Mode Configuration Strap         | <u>CFG_STRAP</u>      | I           | Device Mode Configuration Strap.<br><br>This configuration strap is used to set the device mode. Refer to <a href="#">Section 3.5.1, CFG_STRAP Configuration</a> for details.<br><br>See <a href="#">Note 2</a>  |
| Port 6-1 D+ Disable Configuration Strap | <u>PRT_DIS_P[6:1]</u> | I           | Port 6-1 D+ Disable Configuration Strap.<br><br>These configuration straps are used in conjunction with the corresponding <u>PRT_DIS_M[6:1]</u> straps to disable the related port (6-1). Refer to <a href="#">Section 3.5.2, Port Disable Configuration (PRT_DIS_P[6:1] / PRT_DIS_M[6:1])</a> for more information.<br><br>See <a href="#">Note 2</a> |
| Port 6-1 D- Disable Configuration Strap | <u>PRT_DIS_M[6:1]</u> | I           | Port 6-1 D- Disable Configuration Strap.<br><br>These configuration straps are used in conjunction with the corresponding <u>PRT_DIS_P[6:1]</u> straps to disable the related port (6-1). Refer to <a href="#">Section 3.5.2, Port Disable Configuration (PRT_DIS_P[6:1] / PRT_DIS_M[6:1])</a> for more information.<br><br>See <a href="#">Note 2</a> |
| Non-Removable Ports Configuration Strap | <u>CFG_NON_REM</u>    | I           | Configuration strap to control number of reported non-removal ports. See <a href="#">Section 3.5.3, Non-Removable Port Configuration (CFG_NON_REM)</a><br><br>See <a href="#">Note 2</a>   |
| Battery Charging Configuration Strap    | <u>CFG_BC_EN</u>      | I           | Configuration strap to control number of BC 1.2 enabled downstream ports. See <a href="#">Section 3.5.4, Battery Charging Configuration (CFG_BC_EN)</a><br><br>See <a href="#">Note 2</a>  |

**Note 2:** Configuration strap values are latched on Power-On Reset (POR) and the rising edge of **RESET\_N** (external chip reset). Configuration straps are identified by an underlined symbol name. Signals that function as configuration straps must be augmented with an external resistor when connected to a load. Refer to [Section 3.5, Configuration Straps and Programmable Functions](#) for additional information.

**TABLE 3-9: POWER AND GROUND PIN DESCRIPTIONS**

| Name                          | Symbol | Buffer Type | Description   |
|-------------------------------|--------|-------------|---|
| +3.3V Power Supply Input      | VDD33  | P           | +3.3 V power and internal regulator input<br><br>Refer to <a href="#">Section 4.1, Power Connections</a> for power connection information |
| +1.2V Core Power Supply Input | VDD12  | P           | +1.2 V core power<br><br>Refer to <a href="#">Section 4.1, Power Connections</a> for power connection information.                        |
| Ground                        | GND    | P           | Common ground.<br><br>This exposed pad must be connected to the ground plane with a via array.  |

### 3.4 Buffer Type Descriptions

**TABLE 3-10: USB5926 BUFFER TYPE DESCRIPTIONS**

| BUFFER | DESCRIPTION  |
|--------|--|
| I      | Input.   |
| IS     | Input with Schmitt trigger.  |
| O12    | Output buffer with 12 mA sink and 12 mA source.  |
| OD12   | Open-drain output with 12 mA sink  |
| PU     | 50 $\mu$ A (typical) internal pull-up. Unless otherwise noted in the pin description, internal pull-ups are always enabled.<br><br>Internal pull-up resistors prevent unconnected inputs from floating. Do not rely on internal resistors to drive signals external to the device. When connected to a load that must be pulled high, an external resistor must be added.      |
| PD     | 50 $\mu$ A (typical) internal pull-down. Unless otherwise noted in the pin description, internal pull-downs are always enabled.<br><br>Internal pull-down resistors prevent unconnected inputs from floating. Do not rely on internal resistors to drive signals external to the device. When connected to a load that must be pulled low, an external resistor must be added. |
| ICLK   | Crystal oscillator input pin   |
| OCLK   | Crystal oscillator output pin  |
| I/O-U  | Analog input/output defined in USB specification.  |
| I-R    | RBIAS.   |

**Note:** Refer to [Section 9.5, DC Specifications](#) for individual buffer DC electrical characteristics.

# USB5926

## 3.5 Configuration Straps and Programmable Functions

Configuration straps are multi-function pins that are used during Power-On Reset (POR) or external chip reset (**RESET\_N**) to determine the default configuration of a particular feature. The state of the signal is latched following deassertion of the reset. Configuration straps are identified by an underlined symbol name. This section details the various device configuration straps and associated programmable pin functions.

**Note:** The system designer must guarantee that configuration straps meet the timing requirements specified in [Section 9.6.2, Power-On and Configuration Strap Timing](#) and [Section 9.6.3, Reset and Configuration Strap Timing](#). If configuration straps are not at the correct voltage level prior to being latched, the device may capture incorrect strap values.

### 3.5.1 CFG\_STRAP CONFIGURATION

The CFG\_STRAP pin is used to place the hub into preset modes of operation. The resistor options are a 200 k $\Omega$  pull-down, 200 k $\Omega$  pull-up, 10 k $\Omega$  pull-down, 10 k $\Omega$  pull-up, 10  $\Omega$  pull-down, and 10  $\Omega$  pull-up as shown in [Table 3-11](#).

**TABLE 3-11: CFG\_STRAP RESISTOR ENCODING**

| <u>CFG_STRAP</u><br>Resistor Value | Config  | Setting   |
|------------------------------------|---------|---|
| 200 k $\Omega$ Pull-Down           | CONFIG1 | <b>I<sup>2</sup>C Bridging Mode</b><br>The SMBus interface will operate in Master Mode for use with USB to I <sup>2</sup> C bridging function. For more information on USB to I <sup>2</sup> C bridging with the USB5806, refer to the “USB to I <sup>2</sup> C Using Microchip USB 3.1 Gen 1 Hubs” application note. |
| 200 k $\Omega$ Pull-Up             | CONFIG2 | <b>SMBus Slave Mode</b><br>The SMBus interface will operate in Slave Mode for use with hub configuration.   |
| 10 k $\Omega$ Pull-Down            | CONFIG3 | Unused, Reserved  |
| 10 k $\Omega$ Pull-Up              | CONFIG4 | Unused, Reserved  |
| 10 $\Omega$ Pull-Down              | CONFIG5 | Unused, Reserved  |
| 10 $\Omega$ Pull-Up                | CONFIG6 | Unused, Reserved  |

### 3.5.2 PORT DISABLE CONFIGURATION (PRT\_DIS\_P[6:1] / PRT\_DIS\_M[6:1])

The PRT\_DIS\_P[6:1] and PRT\_DIS\_M[6:1] configuration straps are used in conjunction to disable the related port (6-1).

For PRT\_DIS\_P<sub>x</sub> (where x is the corresponding port 6-1):

- 0 = Port x D+ Enabled
- 1 = Port x D+ Disabled

For PRT\_DIS\_M<sub>x</sub> (where x is the corresponding port 6-1):

- 0 = Port x D- Enabled
- 1 = Port x D- Disabled

**Note:** Both PRT\_DIS\_P<sub>x</sub> and PRT\_DIS\_M<sub>x</sub> (where x is the corresponding port) must be tied to 3.3 V to disable the associated downstream port. Disabling the USB 2.0 port will also disable the corresponding USB 3.1 Gen 1 port.

## 3.5.3 NON-REMOVABLE PORT CONFIGURATION (CFG\_NON\_REM)

The CFG\_NON\_REM configuration strap is used to configure the non-removable port settings of the device to one of five settings. These modes are selected by the configuration of an external resistor on the CFG\_NON\_REM pin. The resistor options are a 200 k $\Omega$  pull-down, 200 k $\Omega$  pull-up, 10 k $\Omega$  pull-down, 10 k $\Omega$  pull-up, 10  $\Omega$  pull-down and 10  $\Omega$  pull-up as shown in [Table 3-12](#).

**TABLE 3-12: CFG\_NON\_REM RESISTOR ENCODING**

| <u>CFG_NON_REM</u> Resistor Value | Setting                       |
|-----------------------------------|-------------------------------|
| 200 k $\Omega$ Pull-Down          | All ports removable           |
| 200 k $\Omega$ Pull-Up            | Port 3 non-removable          |
| 10 k $\Omega$ Pull-Down           | Port 3, 4 non-removable       |
| 10 k $\Omega$ Pull-Up             | Port 3, 4, 5, non-removable   |
| 10 $\Omega$ Pull-Down             | Port 3, 4, 5, 6 non-removable |
| 10 $\Omega$ Pull-Up               | Reserved                      |

## 3.5.4 BATTERY CHARGING CONFIGURATION (CFG\_BC\_EN)

The CFG\_BC\_EN configuration strap is used to configure the battery charging port settings of the device to one of five settings. These modes are selected by the configuration of an external resistor on the CFG\_BC\_EN pin. The resistor options are a 200 k $\Omega$  pull-down, 200 k $\Omega$  pull-up, 10 k $\Omega$  pull-down, 10 k $\Omega$  pull-up, 10  $\Omega$  pull-down and 10  $\Omega$  pull-up as shown in [Table 3-13](#).

**TABLE 3-13: CFG\_BC\_EN RESISTOR ENCODING**

| <u>CFG_BC_EN</u> Resistor Value | Setting                                |
|---------------------------------|--|
| 200 k $\Omega$ Pull-Down        | No battery charging                    |
| 200 k $\Omega$ Pull-Up          | Port 1 battery charging                |
| 10 k $\Omega$ Pull-Down         | Port 1, 2 battery charging             |
| 10 k $\Omega$ Pull-Up           | Port 1, 2, 3, battery charging         |
| 10 $\Omega$ Pull-Down           | Port 1, 2, 3, 4 battery charging       |
| 10 $\Omega$ Pull-Up             | Port 1, 2, 3, 4, 5, 6 battery charging |

## 3.5.5 GENERAL PURPOSE INPUT/OUTPUT CONFIGURATION (GPIOx)

General Purpose Inputs/Outputs may be used for application specific purposes. Any given GPIO may operate as an input or an output. Inputs can apply an internal 50k $\Omega$  pull-down or pull-up resistor. Outputs may drive low or drive high (3.3V). GPIOs may be configured and manipulated during runtime (while enumerated to a host) in one of two ways:

- SMBus configuration
- USB to GPIO bridging

### 3.5.5.1 SMBus configuration

The SMBus slave interface may be used to write to internal registers that configure the state of the GPIO. Refer to the “Configuration Options for Microchip USB58xx and USB59xx Hubs” application note for additional details.

### 3.5.5.2 USB to GPIO Bridging

USB to GPIO Bridging may be used to write to internal registers that configure the state of the GPIO. USB to GPIO bridging operates via host communication to the hub’s internal Hub Feature Controller. Refer to the “USB to GPIO Bridging for Microchip USB3.1 Gen 1 Hubs” application note for additional details.

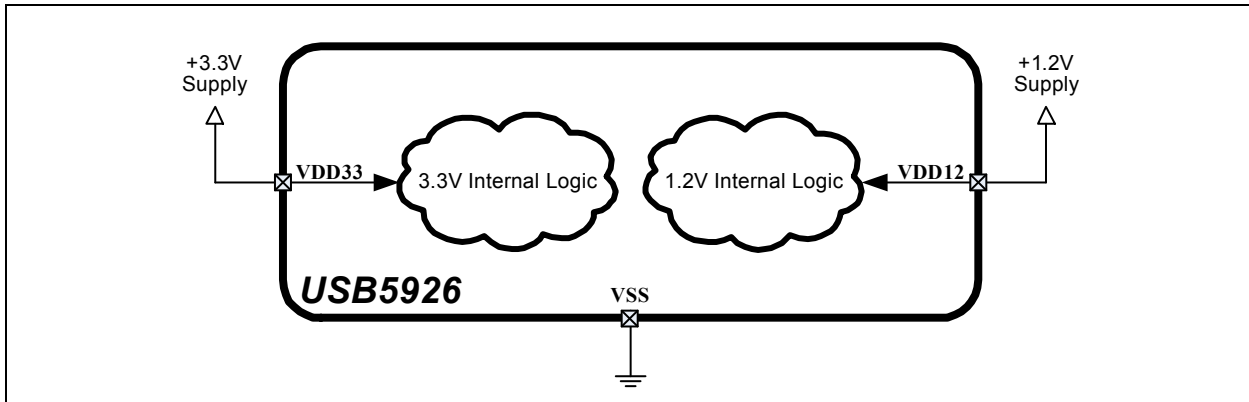
# USB5926

## 4.0 DEVICE CONNECTIONS

### 4.1 Power Connections

Figure 4-1 illustrates the device power connections.

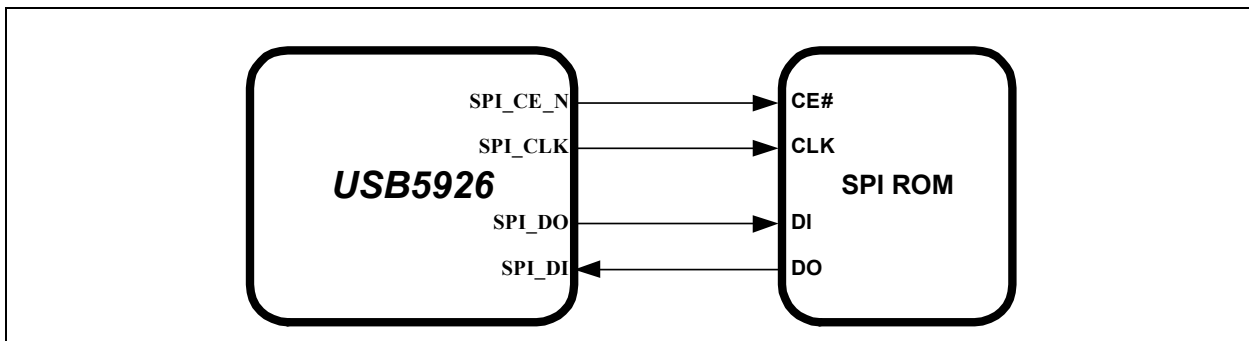
FIGURE 4-1: DEVICE POWER CONNECTIONS



### 4.2 SPI ROM Connections

Figure 4-2 illustrates the device SPI ROM connections. Refer to Section 7.1 “SPI Master Interface” for additional information on this device interface.

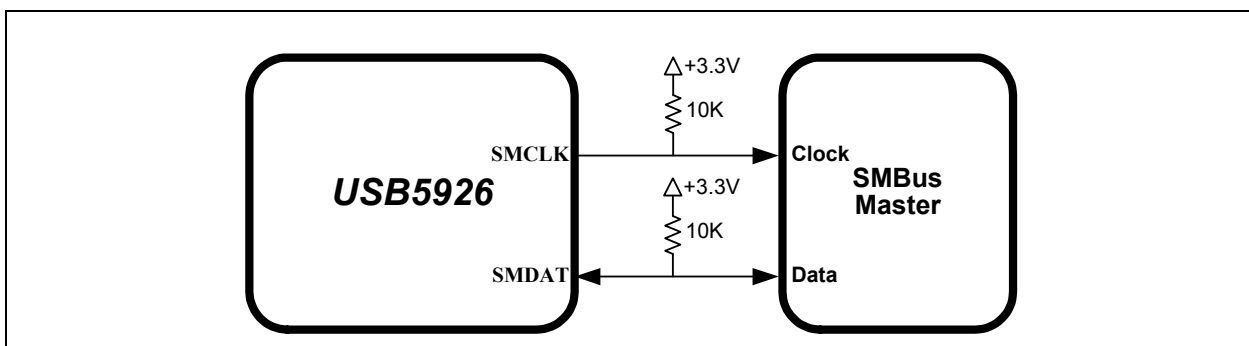
FIGURE 4-2: SPI ROM CONNECTIONS



### 4.3 SMBus Slave Connections

Figure 4-3 illustrates the device SMBus slave connections. Refer to Section 7.2 “SMBus Slave Interface” for additional information on this device interface.

FIGURE 4-3: SMBUS SLAVE CONNECTIONS





## 5.0 MODES OF OPERATION

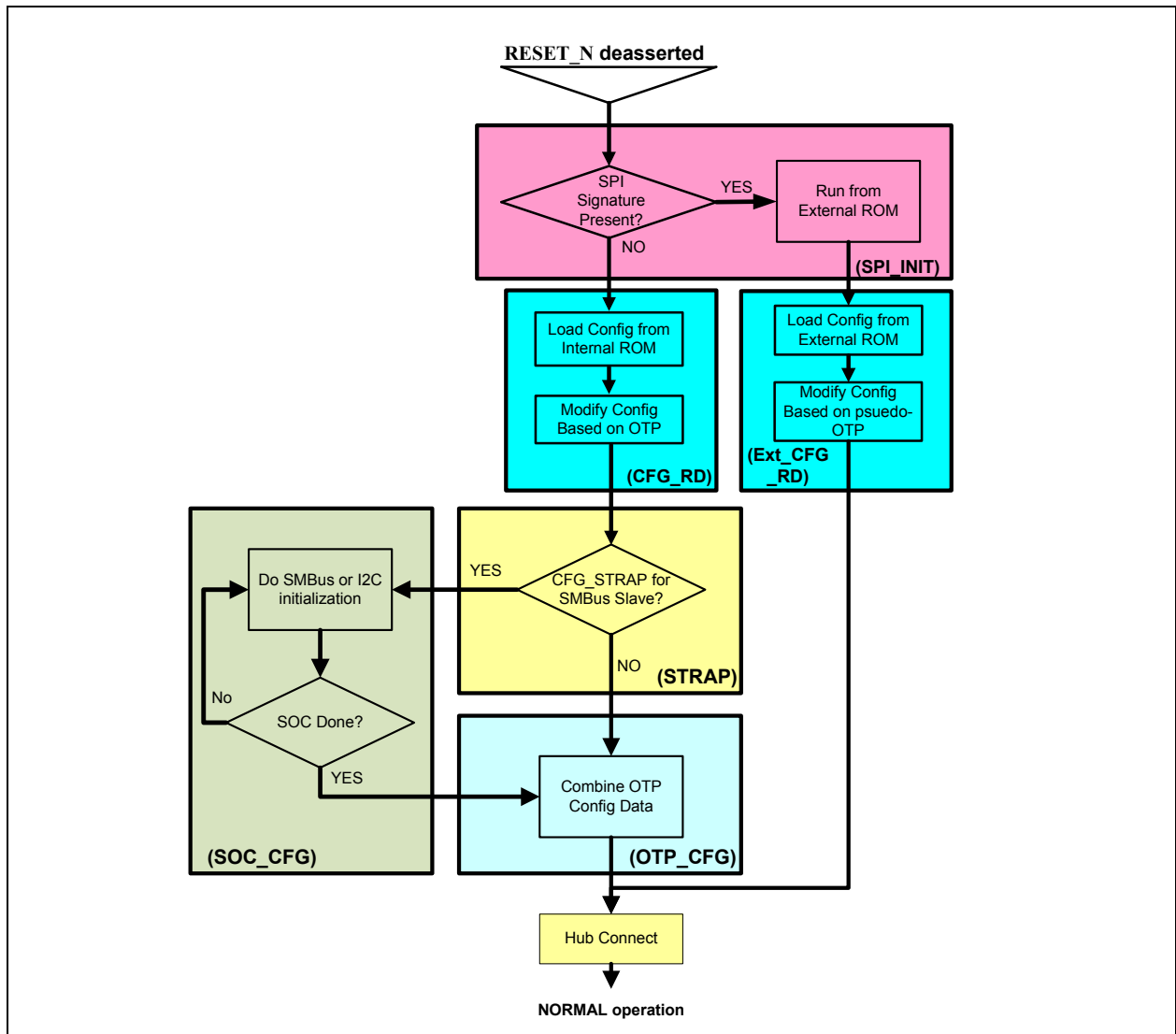
The device provides two main modes of operation: Standby Mode and Hub Mode. These modes are controlled via the **RESET\_N** pin, as shown in [Table 5-1](#).

**TABLE 5-1: MODES OF OPERATION**

| RESET_N Input | Summary  |
|---------------|--|
| 0             | <b>Standby Mode:</b> This is the lowest power mode of the device. No functions are active other than monitoring the <b>RESET_N</b> input. All port interfaces are high impedance and the PLL is halted. Refer to <a href="#">Section 8.3.2, External Chip Reset (RESET_N)</a> for additional information on <b>RESET_N</b> . |
| 1             | <b>Hub (Normal) Mode:</b> The device operates as a configurable USB hub with battery charger detection. This mode has various sub-modes of operation, as detailed in <a href="#">Figure 5-1</a> . Power consumption is based on the number of active ports, their speed, and amount of data transferred.                     |

The flowchart in [Figure 5-1](#) details the modes of operation and how the device traverses through the Hub Mode stages (shown in bold). The remaining sub-sections provide more detail on each stage of operation.

**FIGURE 5-1: HUB BOOT FLOWCHART**



# USB5926

---

## 5.1 Standby Mode

If the **RESET\_N** pin is asserted, the hub will be in Standby Mode. This mode provides a very low power state for maximum power efficiency when no signaling is required. This is the lowest power state. In Standby Mode all downstream ports are disabled, the USB data pins are held in a high-impedance state, all transactions immediately terminate (no states saved), all internal registers return to their default state, the PLL is halted, and core logic is powered down in order to minimize power consumption. Because core logic is powered off, no configuration settings are retained in this mode and must be re-initialized after **RESET\_N** is negated high.

## 5.2 SPI Initialization Stage (SPI\_INIT)

The first stage, the initialization stage, occurs on the deassertion of **RESET\_N**. In this stage, the internal logic is reset, the PLL locks if a valid clock is supplied, and the configuration registers are initialized to their default state. The internal firmware then checks for an external SPI ROM. The firmware looks for an external SPI flash device that contains a valid signature of "2DFU" (device firmware upgrade) beginning at address 0xFFFFA. If a valid signature is found, then the external ROM is enabled and the code execution begins at address 0x0000 in the external SPI device. If a valid signature is not found, then execution continues from internal ROM (CFG\_RD stage).

When using an external SPI ROM, a 1 Mbit, 60 MHz or faster ROM must be used. Both 1- and 2-bit SPI operation are supported. For optimum throughput, a 2-bit SPI ROM is recommended. Both mode 0 and mode 3 SPI ROMs are also supported.

If the system is not strapped for SPI Mode, code execution will continue from internal ROM (CFG\_RD stage).

## 5.3 Configuration Read Stage (CFG\_RD)

In this stage, the internal firmware loads the default values from the internal ROM and then uses the configuration strapping options to override the default values. Refer to [Section 3.5, Configuration Straps and Programmable Functions](#) for information on usage of the various device configuration straps.

## 5.4 Strap Read Stage (STRAP)

In this stage, the firmware registers the configuration strap settings and checks the state of **CFG\_STRAP**. If **CFG\_STRAP** is set for CONFIG2, then the hub will check the state of the **SMBDATA** and **SMBCLK** pins. If 10k pull-up resistors are detected on both pins, the device will enter the SOC\_CFG stage. If 10k pull-up resistors are not detected on both pins, the hub will transition to the OTP\_CFG stage instead.

## 5.5 SOC Configuration Stage (SOC\_CFG)

In this stage, the SOC can modify any of the default configuration settings specified in the integrated ROM, such as USB device descriptors and port electrical settings.

There is no time limit on this mode. In this stage the firmware will wait indefinitely for the SMBus/I<sup>2</sup>C configuration. When the SOC has completed configuring the device, it must write to register 0xFF to end the configuration.

## 5.6 OTP Configuration Stage (OTP\_CFG)

Once the SOC has indicated that it is done with configuration, all configuration data is combined in this stage. The default data, the SOC configuration data, and the OTP data are all combined in the firmware and the device is programmed.

After the device is fully configured, it will go idle and then into suspend if there is no VBUS or Hub.Connect present. Once VBUS is present, and battery charging is enabled, the device will transition to the Battery Charger Detection Stage. If VBUS is present, and battery charging is not enabled, the device will transition to the Connect stage.

## 5.7 Hub Connect Stage (Hub.Connect)

Once the CHGDET stage is completed, the device enters the Hub Connect stage. USB connect can be initiated by asserting the VBUS pin function high. The device will remain in the Hub Connect stage indefinitely until the VBUS pin function is deasserted.

## 5.8 Normal Mode

Lastly, the hub enters Normal Mode of operation. In this stage full USB operation is supported under control of the USB Host on the upstream port. The device will remain in the normal mode until the operating mode is changed by the system.

# USB5926

---

## 6.0 DEVICE CONFIGURATION

The device supports a large number of features (some mutually exclusive), and must be configured in order to correctly function when attached to a USB host controller. The hub can be configured either internally or externally depending on the implemented interface.

Microchip provides a comprehensive software programming tool, Pro-Touch2, for configuring the USB5926 functions, registers and OTP memory. All configuration is to be performed via the Pro-Touch2 programming tool. For additional information on the Pro-Touch2 programming tool, refer to Software Libraries within Microchip USB5926 product page at [www.microchip.com/USB5926](http://www.microchip.com/USB5926).

**Note:** Device configuration straps and programmable pins are detailed in [Section 3.5, Configuration Straps and Programmable Functions](#). Refer to [Section 7.0, Device Interfaces](#) for detailed information on each device interface.

## 6.1 Customer Accessible Functions

The following functions are available to the customer via the Pro-Touch2 Programming Tool.

**Note:** For additional programming details, refer to the Pro-Touch2 programming tool User's Guide.

### 6.1.1 USB ACCESSIBLE FUNCTIONS

#### 6.1.1.1 I<sup>2</sup>C Bridging Access over USB

Access to I<sup>2</sup>C devices is performed as a pass-through operation from the USB Host. The device firmware has no knowledge of the operation of the attached I<sup>2</sup>C device. For more information, refer to the Microchip USB5926 product page and Pro-Touch2 at [www.microchip.com/USB5926](http://www.microchip.com/USB5926).

**Note:** Refer to [Section 7.3, I2C Bridge Interface](#) for additional information on the I<sup>2</sup>C interface.

#### 6.1.1.2 SPI Access over USB

Access to an attached SPI device is performed as a pass-through operation from the USB Host. The device firmware has no knowledge of the operation of the attached SPI device. For more information, refer to the Microchip USB5926 product page and SDK at [www.microchip.com/USB5926](http://www.microchip.com/USB5926).

**Note:** Refer to [Section 7.1, SPI Master Interface](#) for additional information on the SPI.

#### 6.1.1.3 OTP Access

The OTP ROM in the device is accessible via the USB bus during normal runtime operation or SMBus during the SOC\_CFG stage. For more information, refer to the Microchip USB5926 product page or the Pro-Touch2 User's Guide.

#### 6.1.1.4 Battery Charging Access over USB

The Battery charging behavior of the device can be dynamically changed by the USB Host when something other than the preprogrammed or OTP programmed behavior is desired. For more information, refer to the Microchip USB5926 product page or the Pro-Touch2 User's Guide.

### 6.1.2 SMBUS ACCESSIBLE FUNCTIONS

OTP access and configuration of specific device functions are possible via the USB5926 SMBus slave interface. All OTP parameters can be modified via the SMBus Host. For more information refer to the Microchip USB5926 product page.

## 7.0 DEVICE INTERFACES

The USB5926 provides multiple interfaces for configuration and external memory access. This section details the various device interfaces and their usage:

- [SPI Master Interface](#)
- [SMBus Slave Interface](#)
- [I2C Bridge Interface](#)

**Note:** For details on how to enable each interface, refer to [Section 3.5, Configuration Straps and Programmable Functions](#).

For information on device connections, refer to [Section 4.0, Device Connections](#). For information on device configuration, refer to [Section 6.0, Device Configuration](#).

Microchip provides a comprehensive software programming tool, Pro-Touch2, for configuring the USB5926 functions, registers and OTP memory. All configuration is to be performed via the Pro-Touch2 programming tool. For additional information on the Pro-Touch2 programming tool, refer to Software Libraries within Microchip USB5926 product page at [www.microchip.com/USB5926](http://www.microchip.com/USB5926).

### 7.1 SPI Master Interface

The device is capable of code execution from an external SPI ROM. When configured for SPI Mode, on power up the firmware looks for an external SPI flash device that contains a valid signature of 2DFU (device firmware upgrade) beginning at address 0xFFFFA. If a valid signature is found, then the external ROM is enabled and the code execution begins at address 0x0000 in the external SPI device. If a valid signature is not found, then execution continues from internal ROM.

**Note:** For SPI timing information, refer to [Section 9.6.7, SPI Timing](#).

### 7.2 SMBus Slave Interface

The device includes an integrated SMBus slave interface, which can be used to access internal device run time registers or program the internal OTP memory. SMBus slave detection is accomplished by setting the [CFG\\_STRAP](#) in the correct configuration followed by detection of pull-up resistors on both the [SMDAT](#) and [SMCLK](#) signals during the hub's boot-up sequence. Refer to [Section 3.5.1, CFG\\_STRAP Configuration](#) for additional information.

**Note:** All configuration is to be performed via the Pro-Touch2 programming tool. For additional information on the Pro-Touch2 programming tool, refer to Software Libraries within Microchip USB5926 product page at [www.microchip.com/USB5926](http://www.microchip.com/USB5926).

### 7.3 I<sup>2</sup>C Bridge Interface

The I<sup>2</sup>C Bridge interface implements a subset of the I<sup>2</sup>C Master Specification (Please refer to the *Philips Semiconductor Standard I<sup>2</sup>C-Bus Specification* for details on I<sup>2</sup>C bus protocols). The I<sup>2</sup>C Bridge conforms to the Fast-Mode I<sup>2</sup>C Specification (400 kbit/s transfer rate and 7-bit addressing) for protocol and electrical compatibility. The device acts as the master and generates the serial clock SCL, controls the bus access (determines which device acts as the transmitter and which device acts as the receiver), and generates the START and STOP conditions. The I<sup>2</sup>C Bridge interface frequency is configurable through the I<sup>2</sup>C Bridging commands. I<sup>2</sup>C Bridge frequencies are derived from the formula 626KHz/n, where n is any integer from 1 to 256. Refer to [Section 3.5.1, CFG\\_STRAP Configuration](#) for additional information.

**Note:** Extensions to the I<sup>2</sup>C Specification are not supported.  
All configuration is to be performed via the Pro-Touch2 programming tool. For additional information on the Pro-Touch2 programming tool, refer to Software Libraries within Microchip USB5926 product page at [www.microchip.com/USB5926](http://www.microchip.com/USB5926).

# USB5926

## 8.0 FUNCTIONAL DESCRIPTIONS

This section details various USB5926 functions, including:

- [USB Type-C Receptacle Support](#)
- [Battery Charging](#)
- [Resets](#)
- [Link Power Management \(LPM\)](#)
- [Remote Wakeup Indicator](#)
- [Port Control Interface](#)
- [Port Split](#)
- 

### 8.1 USB Type-C Receptacle Support

The USB5926 has built-in support for the USB Type-C receptacle. There are 3 fundamental configurations:

- [External USB 3.1 Gen 1 Multiplexer](#)
- [Internal USB3.1 Gen 1 Multiplexer, "Type-C Control Mode 1"](#)
- [Internal USB 3.1 Gen 1 Multiplexer, "Type-C Control Mode 2"](#)

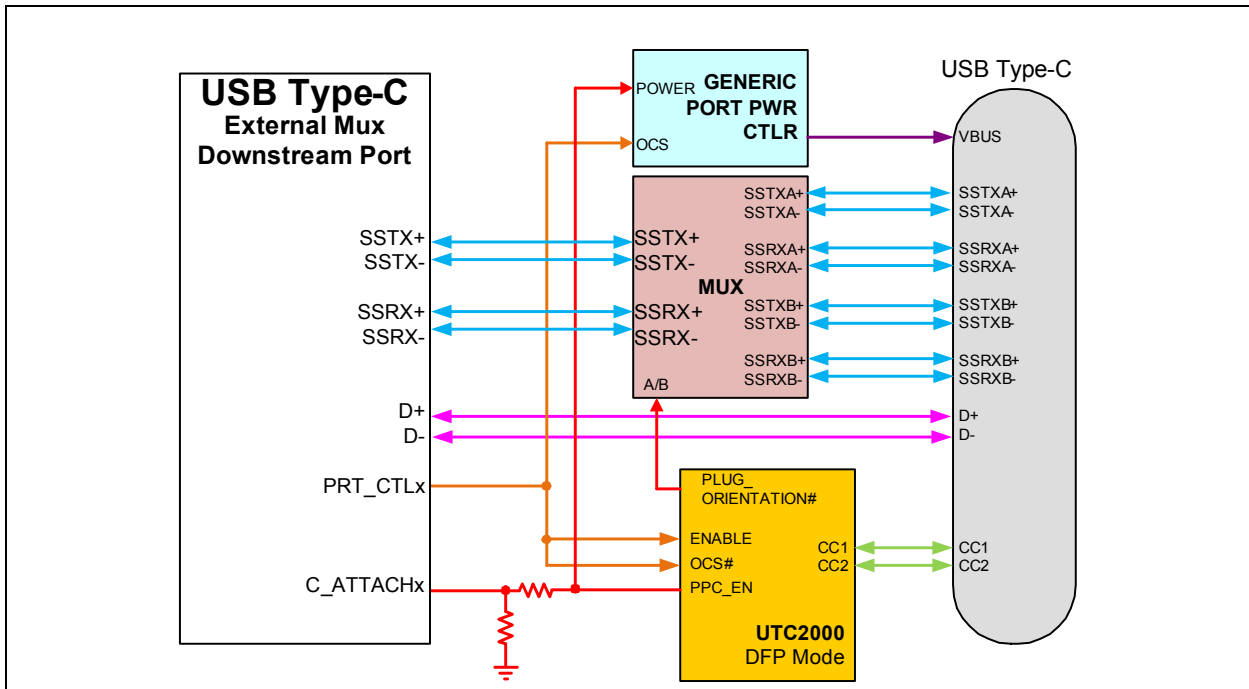
#### 8.1.1 EXTERNAL USB 3.1 GEN 1 MULTIPLEXER

C\_ATTACH[0:2] pins are used to signal to the hub when a valid USB Type-C connection has been detected. This functionality requires an external USB Type-C controller such as a Microchip UTC2000 to monitor the USB Type-C receptacle for a valid attach. This signal is used to enable and disable clocking to the USB 3.1 Gen 1 PHY in order to reduce power consumption when there is no USB Type-C attach.

The polarity of the C\_ATTACH[0:2] pins are controlled by the CC\_POL pin. See [Table 3-6](#) for details.

A diagram of a USB Type-C Downstream Facing Port with a USB5926, Microchip UTC2000, and external multiplexer is shown in [Figure 8-1](#).

**FIGURE 8-1: DFP TYPE-C PORT WITH MICROCHIP UTC2000 AND EXTERNAL MUX**



## 8.1.2 INTERNAL USB3.1 GEN 1 MULTIPLEXER, "TYPE-C CONTROL MODE 1"

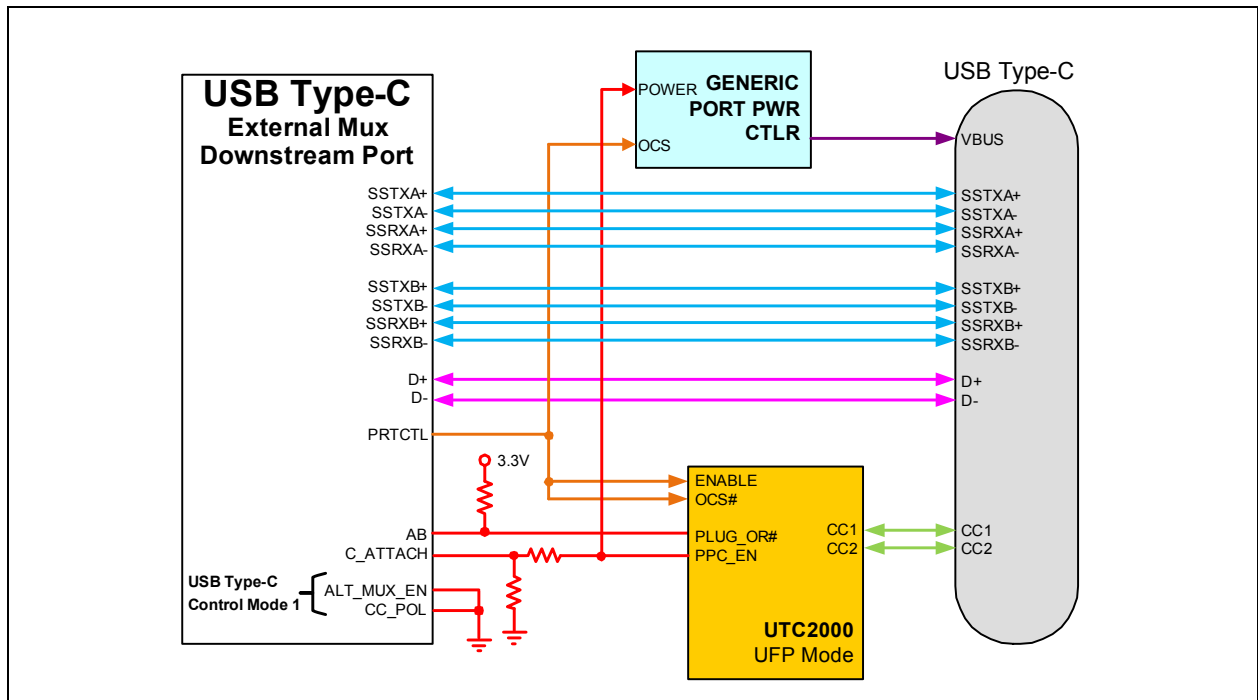
"Type-C Control Mode 1" is enabled by setting the `ALT_MUX_EN` signal low or leaving it floating. While in "Type-C Control Mode 1", the `C_ATTACH[0:2]` and `AB[0:2]` pins are used together to signal to the hub when a valid USB Type-C connection has been detected and in what orientation the connection has been detected. This functionality requires an external USB Type-C controller such as a Microchip UTC2000 to monitor the USB Type-C receptacle for a valid attach. These signals are used to enable/disable the USB 3.1 Gen 1 PHYs appropriately according to the detected Type-C attach and orientation. Unused USB 3.1 Gen 1 PHYs are disabled to conserve power.

The polarity of the `C_ATTACH[0:2]` pins and `AB[0:2]` are controlled by the `CC_POL` pin. See [Table 3-6](#) for details.

A diagram of a USB Type-C Downstream Facing Port with the USB5916/USB5926, Microchip UTC2000, and internal multiplexer operating in "Type-C Control Mode 1" is shown in [Figure 8-2](#).

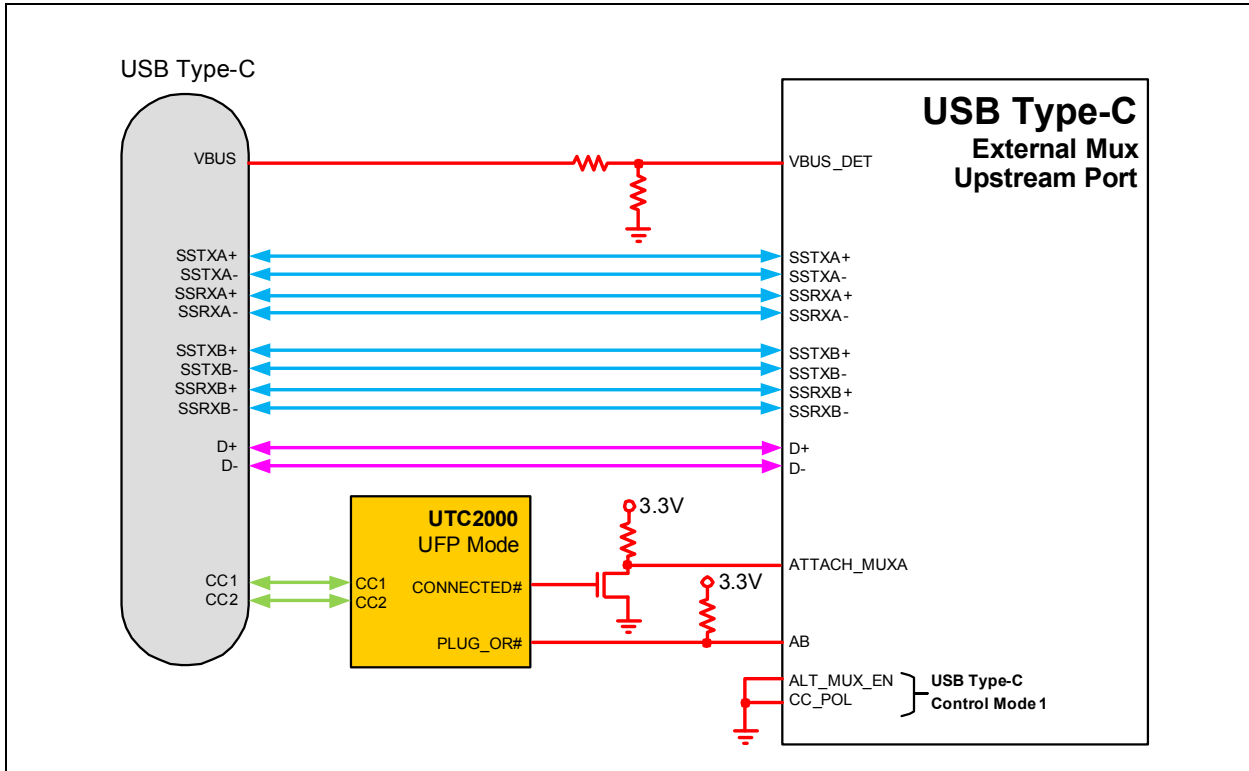
A diagram of a USB Type-C Upstream Facing Port with the USB5926, Microchip UTC2000, and internal multiplexer operating in "Type-C Control Mode 1" is shown in [Figure 8-3](#).

**FIGURE 8-2: UFP TYPE-C PORT WITH MICROCHIP UTC2000 & EXTERNAL MUX (MODE 1)**



# USB5926

FIGURE 8-3: UFP TYPE-C PORT WITH MICROCHIP UTC2000 & EXTERNAL MUX (MODE 1)



### 8.1.3 INTERNAL USB 3.1 GEN 1 MULTIPLEXER, “TYPE-C CONTROL MODE 2”

“Type-C Control Mode 2” is enabled by setting the ALT\_MUX\_EN signal high. While in “Type-C Control Mode 2”, the ATTACH\_MUX[0:2]A and ATTACH\_MUX[0:2]B pins are used to signal to the hub when a valid USB Type-C connection has been detected and in what orientation the connection has been detected. This functionality requires an external USB Type-C controller (this mode not directly supported by UTC2000) to monitor the USB Type-C receptacle for a valid attach. These signals are used to enable/disable the USB 3.1 Gen 1 PHYs appropriately according to the detected Type-C attach and orientation. Unused USB 3.1 Gen 1 PHYs are disabled to conserve power.

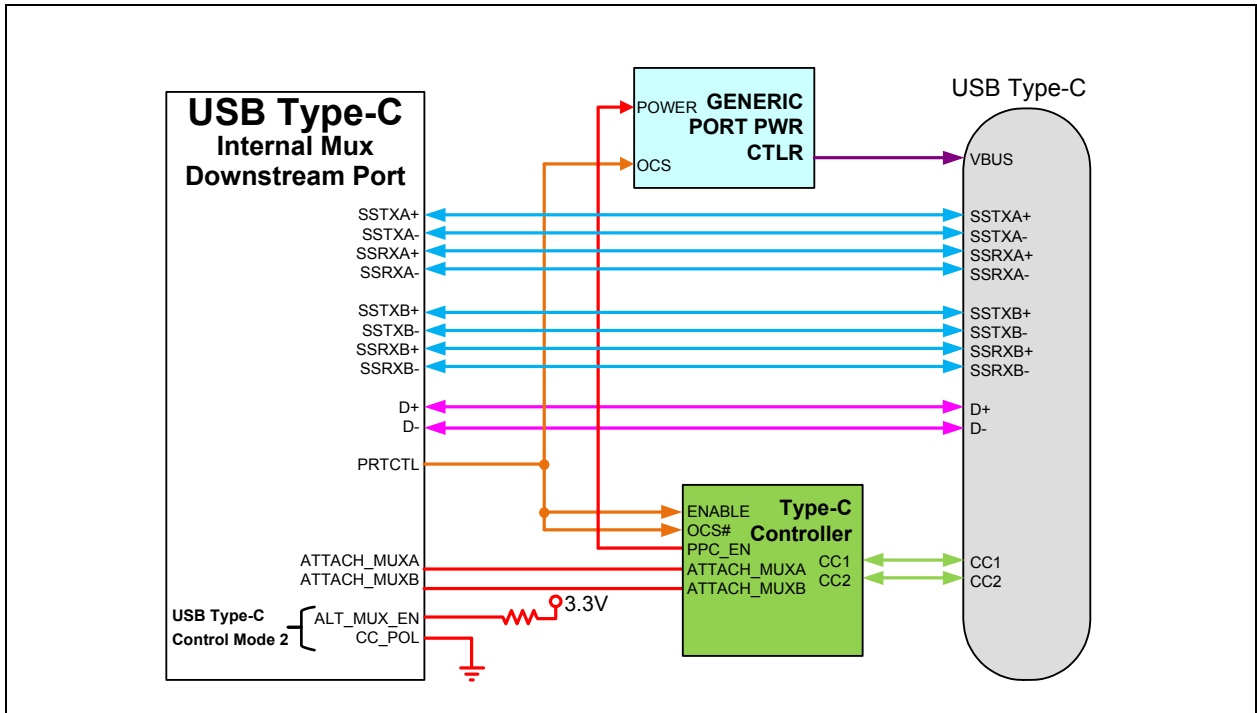
The polarity of the ATTACH\_MUX[0:2]A pins and ATTACH\_MUX[0:2]B are controlled by the CC\_POL pin. See Table 3-6 for details.

A diagram of a USB Type-C Downstream Facing Port with internal multiplexer operating in “Type-C Control Mode 2” with the USB5916/USB5926 is shown in Figure 8-4.

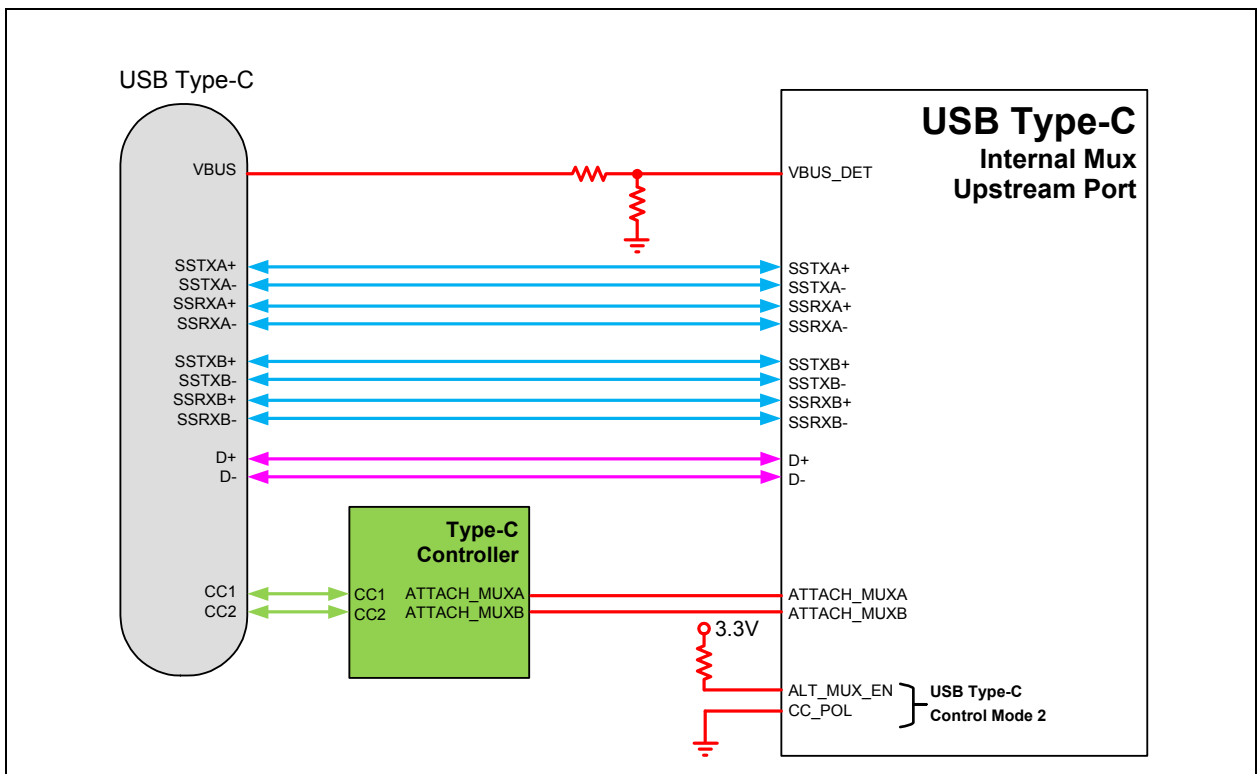
A diagram of a USB Type-C Upstream Facing Port with internal multiplexer operating in “Type-C Control Mode 2” with the USB5926 is shown in Figure 8-5.



**FIGURE 8-4: DFP TYPE-C PORT WITH GENERIC TYPE-C CONTROLLER AND INTERNAL MUX (MODE 2)**



**FIGURE 8-5: UFP TYPE-C PORT WITH GENERIC TYPE-C CONTROLLER & INTERNAL MUX (MODE 2)**

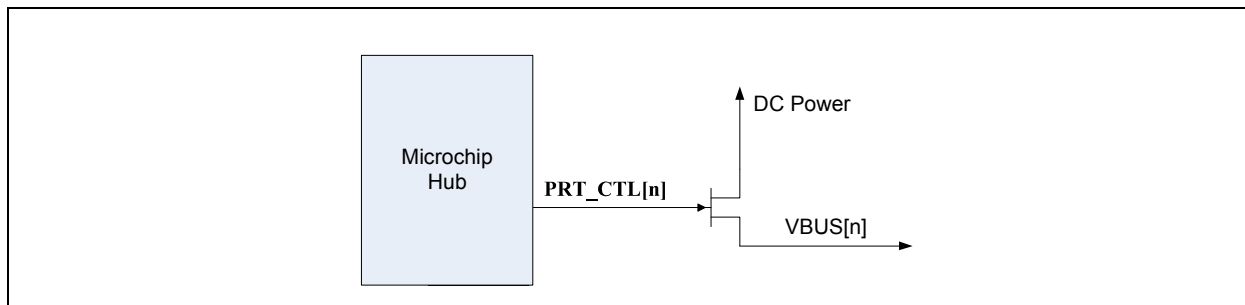


# USB5926

## 8.2 Battery Charging

The device can be configured by an OEM to have any of the downstream ports support battery charging. The hub's role in battery charging is to provide acknowledgment to a device's query as to whether the hub system supports USB battery charging. The hub silicon does not provide any current or power FETs or any additional circuitry to actually charge the device. Those components must be provided externally by the OEM.

**FIGURE 8-6: BATTERY CHARGING EXTERNAL POWER SUPPLY**



If the OEM provides an external supply capable of supplying current per the battery charging specification, the hub can be configured to indicate the presence of such a supply from the device. This indication, via the **PRT\_CTL[6:1]** pins, is on a per port basis. For example, the OEM can configure two ports to support battery charging through high current power FETs and leave the other two ports as standard USB ports.

For additional information, refer to the Microchip USB5926 Battery Charging application note on the Microchip.com USB5926 product page [www.microchip.com/USB5926](http://www.microchip.com/USB5926).

## 8.3 Resets

- [Power-On Reset \(POR\)](#)
- [External Chip Reset \(RESET\\_N\)](#)
- [USB Bus Reset](#)

### 8.3.1 POWER-ON RESET (POR)

A power-on reset occurs whenever power is initially supplied to the device, or if power is removed and reapplied to the device. A timer within the device will assert the internal reset per the specifications listed in [Section 9.6.2, Power-On and Configuration Strap Timing](#).

### 8.3.2 EXTERNAL CHIP RESET (RESET\_N)

A valid hardware reset is defined as assertion of **RESET\_N**, after all power supplies are within operating range, per the specifications in [Section 9.6.3, Reset and Configuration Strap Timing](#). While reset is asserted, the device (and its associated external circuitry) enters Standby Mode and consumes minimal current.

Assertion of **RESET\_N** causes the following:

1. The PHY is disabled and the differential pairs will be in a high-impedance state.
2. All transactions immediately terminate; no states are saved.
3. All internal registers return to the default state.
4. The external crystal oscillator is halted.
5. The PLL is halted.

**Note:** All power supplies must have reached the operating levels mandated in [Section 9.2, Operating Conditions\\*\\*](#), prior to (or coincident with) the assertion of **RESET\_N**.

## 8.3.3 USB BUS RESET

In response to the upstream port signaling a reset to the device, the device performs the following:

1. Sets default address to 0.
2. Sets configuration to Unconfigured.
3. Moves device from suspended to active (if suspended).
4. Complies with the USB Specification for behavior after completion of a reset sequence.

The host then configures the device in accordance with the USB Specification.

**Note:** The device does not propagate the upstream USB reset to downstream devices.

## 8.4 Link Power Management (LPM)

The device supports the L0 (On), L1 (Sleep), and L2 (Suspend) link power management states. These supported LPM states offer low transitional latencies in the tens of microseconds versus the much longer latencies of the traditional USB suspend/resume in the tens of milliseconds. The supported LPM states are detailed in [Table 8-1](#).

**TABLE 8-1: LPM STATE DEFINITIONS**

| State | Description        | Entry/Exit Time to L0                              |
|-------|--------------------|--|
| L2    | Suspend            | Entry: ~3 ms<br>Exit: ~2 ms (from start of RESUME) |
| L1    | Sleep              | Entry: <10 us<br>Exit: <50 us                      |
| L0    | Fully Enabled (On) | -  |

## 8.5 Remote Wakeup Indicator

The remote wakeup indicator feature uses **SUSP\_IND** as a side band signal to wake up the host when in USB 2.0 suspend. This feature is enabled and disabled via the **HUB\_RESUME\_INHIBIT** configuration bit in the hub configuration space register **HUB\_CFG\_3**. The only way to control the bit is by configuration EEPROM, SMBus or internal ROM default setting. The state is only modified during a power on reset, or hardware reset. No dynamic reconfiguring of this capability is possible.

When **HUB\_RESUME\_INHIBIT** = '0', Normal Resume Behavior per the USB 2.0 specification

When **HUB\_RESUME\_INHIBIT** = '1', Modified Resume Behavior is enabled

**Note:** The **SUSP\_IND** signal only indicates the USB2.0 state.

## 8.6 Port Control Interface

Port power and over-current sense share the same pin (**PRT\_CTLx**) for each port. These functions can be controlled directly from the USB hub, or via the processor. Additionally, smart port controllers can be controlled via the I<sup>2</sup>C interface.

The device can be configured into one of the two following port control modes:

- **Ganged Mode** - A single **GANG\_PWR** pin controls power and detects over-current events for all downstream ports.
- **Individual Mode** - Each port has an individual **PRT\_CTLx** pin for independent port power control and over-current detection.

Port connection in various modes are detailed in the following subsections.

# USB5926

## 8.6.1 PORT CONNECTION IN GANGED MODE

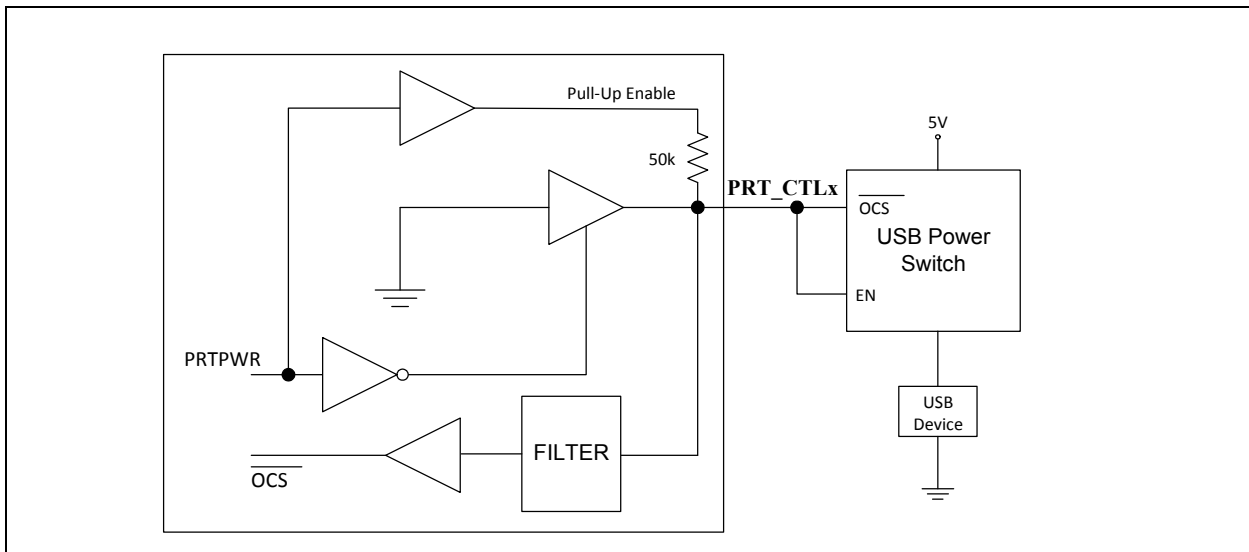
Ganged Mode is enabled via SMBus or OTP configuration. **GANG\_PWR** becomes the port control (PRTCTL) pin for all downstream ports when the hub is configured for ganged port power control mode. All port power controllers should be controlled from this pin when the hub is configured for ganged port power mode. While in this mode of operation, an over-current event on any single downstream port will cause all downstream ports to be flagged for over-current.

## 8.6.2 PORT CONNECTION IN INDIVIDUAL MODE

### 8.6.2.1 Port Power Control using USB Power Switch

Individual mode is the default mode of operation. When operating in individual mode, the device will have one port power control and over-current sense pin for each downstream port. When disabling port power, the driver will actively drive a '0'. To avoid unnecessary power dissipation, the pull-up resistor will be disabled at that time. When port power is enabled, it will disable the output driver and enable the pull-up resistor, making it an open drain output. If there is an over-current situation, the USB Power Switch will assert the open drain OCS signal. The Schmidt trigger input will recognize that as a low. The open drain output does not interfere. The over-current sense filter handles the transient conditions such as low voltage while the device is powering up.

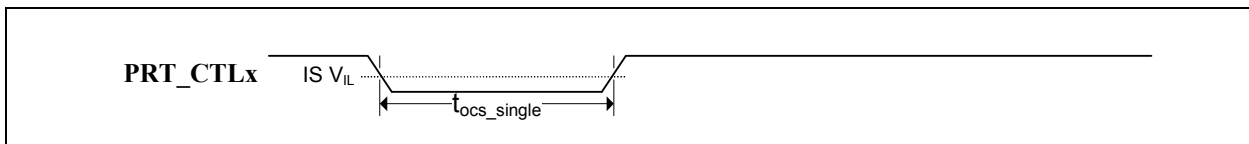
**FIGURE 8-7: PORT POWER CONTROL WITH USB POWER SWITCH**



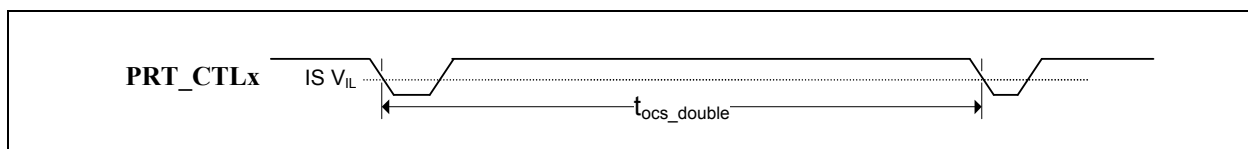
When the port is enabled, the **PRT\_CTLx** pin input is constantly sampled. Overcurrent events can be detected in one of two ways:

- Single, continuous low pulse (consecutive low samples over  $t_{ocs\_single}$ ), as shown in [Figure 8-8](#).
- Two short low pulses within a rolling window (two groupings of 1 or more low samples over  $t_{ocs\_double}$ ), as shown in [Figure 8-9](#).

**FIGURE 8-8: SINGLE LOW PULSE OVERCURRENT DETECTION**



**FIGURE 8-9: DOUBLE LOW PULSE OVERCURRENT DETECTION**



To maximize compatibility with various port power control topologies, the parameters  $t_{ocs\_single}$  and  $t_{ocs\_double}$  are configurable via the [Overcurrent Minimum Pulse Width Register](#) and [Overcurrent Inactive Timer Register](#).

The pin also has a turn-on “lockout” feature where the state of the pin is ignored for a configured amount of time immediately after port power is turned on. This prevents slow ramp times due to parasitic resistance/capacitance attached to the pin from triggering false overcurrent detections. This parameter is configurable via the [Overcurrent Lockout Timer Register](#).

**TABLE 8-2: OVERCURRENT MINIMUM PULSE WIDTH REGISTER**

| OCS_MIN_WIDTH (30EAh) |               |     | Overcurrent Detection Pulse Window  |
|-----------------------|---------------|-----|---|
| BIT                   | Name          | R/W | Description   |
| 7:4                   | Reserved      | R   | Reserved  |
| 3:0                   | OCS_MIN_WIDTH | R/W | <p>The minimum overcurrent detection pulse width (<math>t_{ocs\_single}</math>) is configured in this register.</p> <p>The range can be configured in 1ms increments from 0ms to 5ms.</p> <p>0000 - 0ms minimum overcurrent detection pulse width<br/>                     0001 - 1ms minimum overcurrent detection pulse width<br/>                     0010 - 2ms minimum overcurrent detection pulse width<br/>                     0011 - 3ms minimum overcurrent detection pulse width<br/>                     0100 - 4ms minimum overcurrent detection pulse width<br/>                     0101 - 5ms minimum overcurrent detection pulse width [Default]</p> |

**TABLE 8-3: OVERCURRENT INACTIVE TIMER REGISTER**

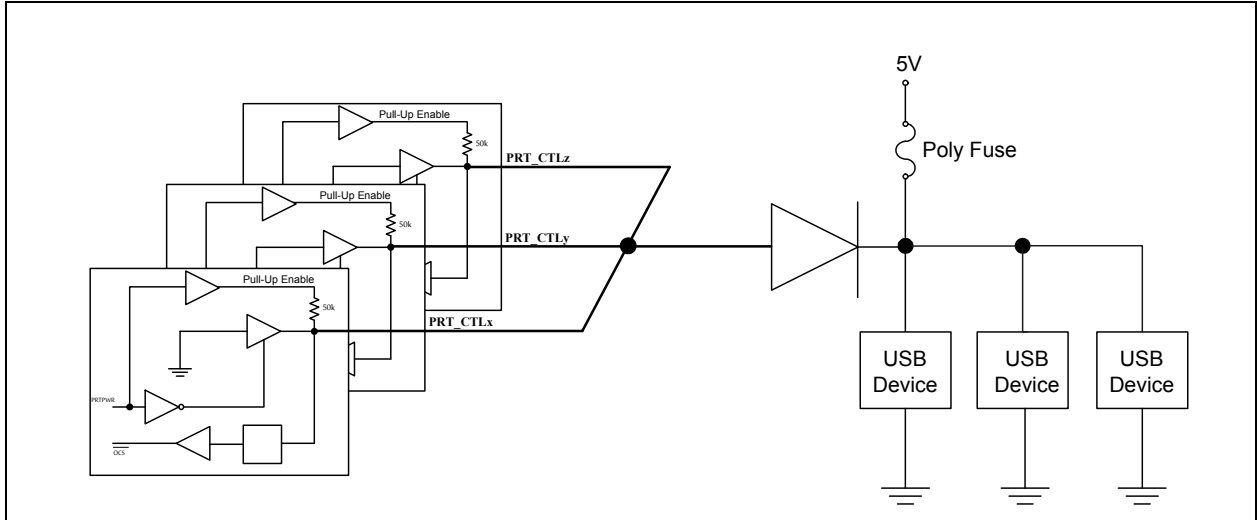
| OCS_INACTIVE_TIMER (30EBh) |                    |     | Overcurrent Inactive Timer After First Overcurrent Detection   |
|----------------------------|--------------------|-----|--|
| BIT                        | Name               | R/W | Description  |
| 7:0                        | OCS_INACTIVE_TIMER | R/W | <p>This register configures the timer within which a double low pulse triggers an overcurrent detection event (<math>t_{ocs\_double}</math>).</p> <p>The timer can be incremented in 1ms steps. The default value is 20ms (14h).</p> <p><b>Note:</b> This register should never be set to 00h.</p> |



## 8.6.2.3 Port Power Control with Single Poly Fuse and Multiple Loads

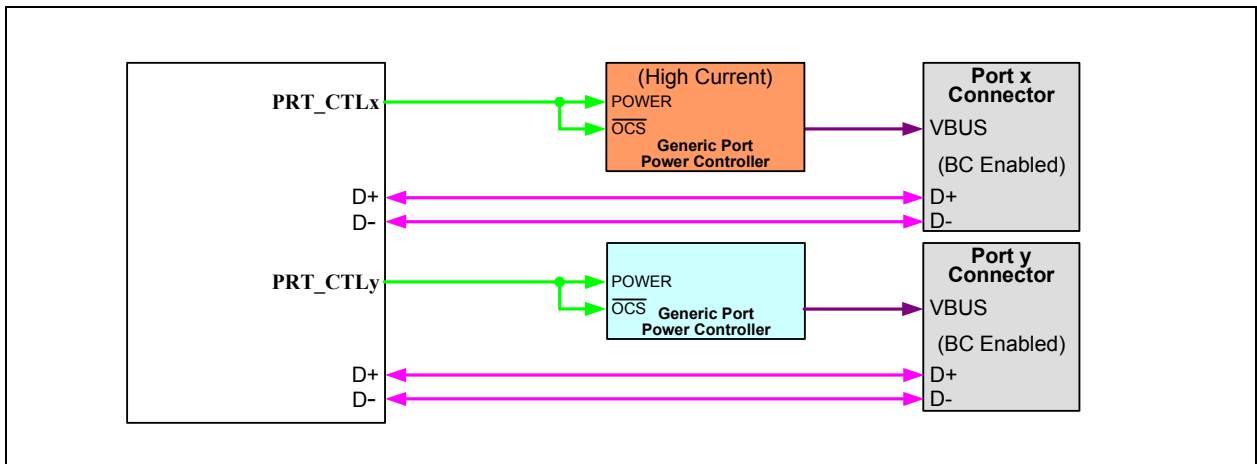
Many customers use a single poly fuse to power all their devices. For the ganged situation, all power control pins must be tied together.

**FIGURE 8-11: PORT POWER CONTROL WITH GANGED CONTROL WITH POLY FUSE**



## 8.6.3 PORT CONTROLLER CONNECTION EXAMPLE

**FIGURE 8-12: GENERIC PORT POWER CONTROLLERS**



**Note:** The **CFG\_BC\_EN** configuration strap must be properly configured to enable battery charging on the appropriate ports. For more information on the **CFG\_BC\_EN** configuration strap, refer to [Section 3.5.4, Battery Charging Configuration \(CFG\\_BC\\_EN\)](#).

# USB5926

## 8.7 Port Split

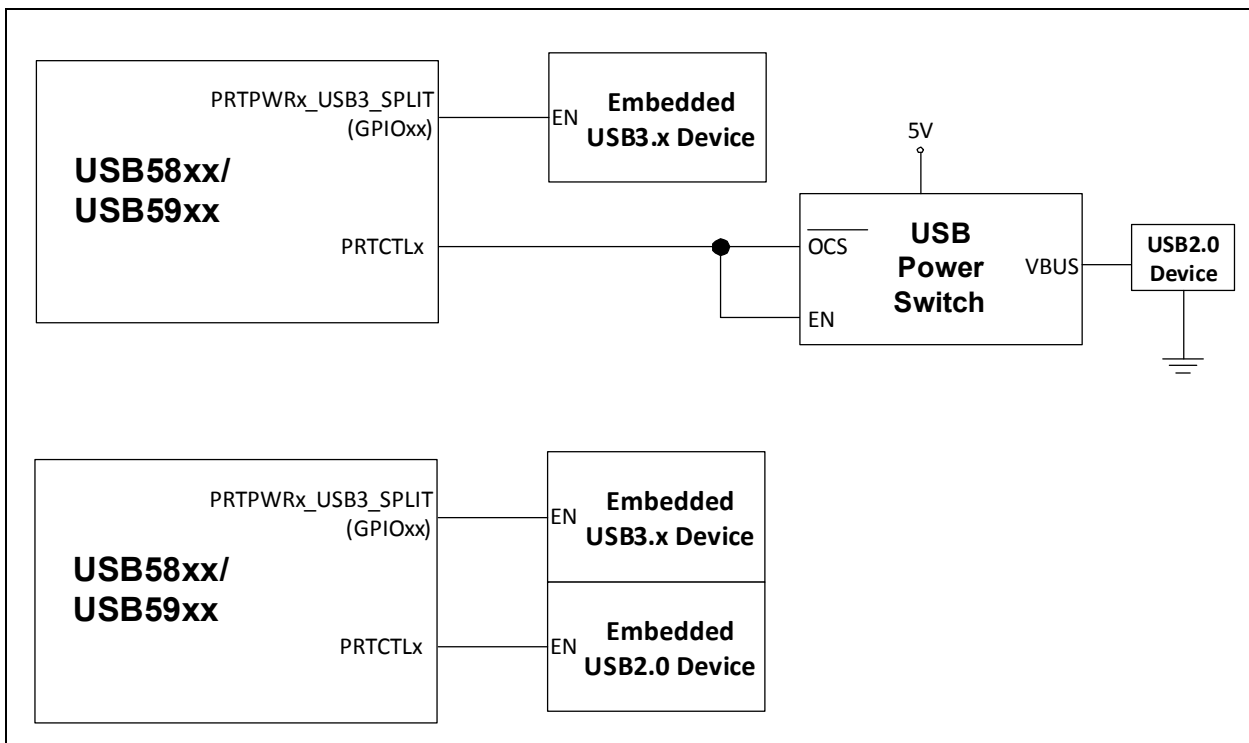
### 8.7.1 FEATURE OVERVIEW

This feature allows the USB 2.0 and USB 3.1 Gen 1 PHYs associated with any downstream port to be operationally separated. The intention of this feature is to allow a system designer to connect an embedded USB 3.x device to the USB 3.1 Gen 1 PHY, while allowing the USB 2.0 PHY to be used as either a standard USB 2.0 port or with a separate embedded USB 2.0 device.

This feature operates outside of the provisions of the USB specifications. Operation is intended for specialized applications only. Contact your local sales representative for additional information.

In order to maintain a positive end user experience, it is recommended that only permanently attached, embedded USB 3.x devices be connected to the USB 3.1 Gen 1 PHY when enabling the Port Split feature. This prevents end users from attempting to connect USB High-Speed, Full-Speed, or Low-Speed devices to an exposed USB port which only has USB 3.1 Gen 1 connections.

**FIGURE 8-13: RECOMMENDED PORT SPLITTING CONFIGURATIONS**



### 8.7.2 PORT SPLITTING CONFIGURATION

Downstream ports 3 and 4 may be configured for Port Splitting. Port Splitting is configured via register configuration through SMBus during the hub configuration stage (SOC\_CFG) or via the hub's internal OTP memory.

When Port Splitting is enabled, the existing PRT\_CTLx pin associated with that port will continue to control the USB 2.0 portion of the port in an identical matter. A new pin function assigned to a GPIOx pin will be activated and configured to control the USB 3.1 Gen 1 portion of the port. This new pin is named P RTPWRx\_USB3\_SPLIT where x indicates the respective port. Note that overcurrent detection is not supported on the P RTPWRx\_USB3\_SPLIT pin. These new pins are assigned as shown in [Table 8-5](#).



**TABLE 8-5: PORT SPLIT PRTPWRX\_USB3\_SPLIT PIN ASSIGNMENT**

| GPIOx Pin | Port Split Assignment       |
|-----------|-----------------------------|
| GPIO66    | PRTPWR3_USB3_SPLIT Option A |
| GPIO6     | PRTPWR4_USB3_SPLIT Option A |
| GPIO5     | PRTPWR3_USB3_SPLIT Option B |
| GPIO4     | PRTPWR4_USB3_SPLIT Option B |

## 8.7.2.1 Enabling Port Splitting

In order to enable the Port Splitting feature on downstream ports 3 and/or 4, the following configuration settings must be made.

### Enabling Port Splitting on Port 3:

- Write 0x42 to register 0x416E to select **GPIO66 for Option A**
- Write 0x05 to register 0x416E to select **GPIO5 for Option B**
- Set bit 5 of the **USB3\_PORT\_SPLIT\_EN** (0x3C48 = 0x20)

### Enabling Port Splitting on Port 4:

- Write 0x06 to register 0x416F to select **GPIO6 for Option A**
- Write 0x04 to register 0x416F to select **GPIO4 for Option B**
- Set bit 6 of the **USB3\_PORT\_SPLIT\_EN** (0x3C48 = 0x40)

**TABLE 8-6: USB 3.0 PORT SPLIT ENABLE REGISTER**

| USB3_PORT_SPLIT_EN<br>(0x3C48 - RESET = 0x00) |                    |     | USB 3.0 Port Split Enable   |
|---|--------------------|-----|---|
| BIT   | Name               | R/W | Description   |
| 7:1   | PORT_SPLIT_EN[7:1] | R/W | <p>0 = Port Splitting on the specified port is disabled<br/>1 = Port Splitting on the specified port is enabled</p> <p>Bit<br/>[1] - Reserved<br/>[2] - Reserved<br/>[3] - Reserved<br/>[4] - Reserved<br/>[5] - Port 3<br/>[6] - Port 4<br/>[7] - Reserved</p> |
| 0   | Reserved           | R   | Reserved  |

## 8.7.2.2 Link Timeout Reset

Port Splitting is intended for use with embedded USB 3.x devices only. When Port Splitting is enabled, the hub constantly monitors the USB 3.1 Gen 1 Link to see if a valid USB 3.1 Gen 1 Link is established. If there is no valid USB 3.1 Gen 1 Link for a configured amount of time (see below), then the hub will toggle assertion of the associated “**PRTPWRx\_USB3\_SPLIT**” pin in an attempt to reset the embedded USB 3.1 Gen 1 device and re-establish the USB 3.1 Gen 1 Link. The timer is always reset and restarted whenever the timeout occurs.

# USB5926

A valid USB 3.1 Gen 1 link is qualified by the LTSSM\_STATE register status for the port. A normal Link will actively switch through many Link states.

If the hub detects that the Link is staying in one of the following Link states the entire duration of the timeout timer, then the Link is stuck in an invalid state and **PRTPWRx\_USB3\_SPLIT** will be toggled in order to attempt to re-establish the Link.

- SIS.Disabled(0x4)
- Rx.Detect(0x5)
- SS.Inactive(0x6)
- Polling(0x7)
- Recovery(0x8)
- HotReset (0x9)

The Link Timeout Reset value is configured via register 0x4171 and can be overridden by OTP. The default value is 0x05, which selects a Timeout value of 1 second. Setting the register to 0x00 will disable the Link Timeout Reset feature.

The duration of the Link reset (time which **PRTPWRx\_USB3\_SPLIT** signal stays low) can be configured in register 0x4176. The default duration is 400ms with a configurable range of 350ms to 2.9s.

## 8.8 USB Billboard Device Class Support

TABLE 8-7: USB 3.X PORT SPLIT LINK TIMEOUT REGISTER

| USB3_PORT_SPLIT_TIMEOUT<br>(0X4171 - RESET=0X05) |                         |     | USB 3.X PORT SPLIT LINK TIMEOUT REGISTER  |
|--|-------------------------|-----|---|
| BIT  | NAME                    | R/W | DESCRIPTION   |
| [7:3]  | Reserved                | R/W | Always read '0'   |
| [2:0]  | PORT_SPLIT_TIMEOUT[2:0] | R/W | <p>Global USB Port Splitting Link Timeout Value</p> <p>If Port Splitting is enabled on a port and there is no valid USB 3.x Link for the configured amount of time, then the associated "PRTPWRx_USB3_SPLIT" pin will be toggled in an attempt to reset the embedded USB 3.x device and re-establish the USB 3.x Link. The timer is always reset and restarted whenever the timeout occurs.</p> <p>000b - No Timeout, never toggle PRTPWRx_USB3_SPLIT<br/>001b - 100ms<br/>010b - 250ms<br/>011b - 500ms<br/>100b - 750ms<br/>101b - 1 second<br/>110b - 2 second<br/>111b - Reserved</p> |

**TABLE 8-8: USB 3.X PORT SPLIT TOGGLE TIME REGISTER**

| USB3_PORT_SPLIT_TOGGLE_TIME<br>(0X4176 - RESET=0X05) |                             |     | USB 3.X PORT SPLIT TOGGLE TIME REGISTER   |
|--|-----------------------------|-----|---|
| BIT  | NAME                        | R/W | DESCRIPTION   |
| [7:0]  | PORT_SPLIT_TOGGLE_TIME[7:0] | R/W | <p>The PORT_SPLIT_TOGGLE_TIME is used to control the length of time port power is toggled off. This is specific to the "PRTPWRx USB3_SPLIT" pin, and is only used in conjunction with 0X4171. The timer is always reset whenever the toggle completes.</p> <p>The minimum toggle time is 350ms and is represented by 00000000b.</p> <p>Each incremental value will add 10ms to the 350ms minimum value.</p> |

USB Billboard is supported by the USB5926 in conjunction with an external USB Power Delivery capable controller that supports the USB PD stack and alternate mode negotiation.

When a USB Type-C enabled product supports alternate modes for enhanced capability beyond what is available through USB connectivity alone, that product must support a USB Billboard endpoint so that a user will be notified by an operating system when the enhanced capability is not enabled due to an alternate mode mismatch.

A good example of alternate mode functionality is support for a DisplayPort monitor that many docking stations provide. In this case, the docking station offers DisplayPort (DP) capability over the USB-C connector as an alternate mode. The DP monitor will only function correctly when a successful alternate mode negotiation occurs between the docking station and the notebook PC (this is the USB-C to USB-C connection). In order for the alternate mode negotiation to succeed, the Notebook and the Docking Station must both support DP over USB-C, and have the DP messaging capability enabled to support alternate mode negotiation. If the alternate mode negotiation is successful, then the notebook and the Docking Station both change their multiplexers to enable DP signaling over USB Type-C. In this case, no USB Billboard messages need to be displayed.

If the above example instead uses a notebook that doesn't support DP over USB-C, then the alternate mode negotiation will fail. The docking station will not have a way to enable the DP monitor capability, reducing functionality for the customer. For this is the reason, USB Billboard capability is mandated. In this case, a USB Billboard device class endpoint must appear on a hub port within the Docking Station, and it must provide text and or a web site link which will provide information to the user regarding the corrective steps required to use the feature.

In the case of the USB5926, all of the above mentioned negotiation capability will occur outside of the USB5926 via an external USB Power Delivery capable device that contains a full USB PD stack and can communicate via USB PD messaging. In an alternate mode failure case, the USB5926 will provide that message by allowing the USB host to enumerate an internal USB Billboard Device Class just after the failure in response to a signal from the external USB PD controller. The Billboard Device descriptors will contain the failure message to the USB Host. The message itself will be prerecorded in the device's OTP memory.

### 8.8.1 BILLBOARD ENABLE IN OTP AND GPIOx PIN USE

Any of the GPIOx pins may be selected to use as the BILLBOARD\_EN input. By default, GPIO68 is selected when the Billboard feature is enabled.

The BILLBOARD\_EN input signal is active low. When the pin is driven low by a Power Delivery controller to indicate an alternate mode negotiation failure, the Billboard functionality will activate.

# USB5926

TABLE 8-9: USB BILLBOARD CONTROL

| USBBILLBOARD_CNTL<br>(OTP_ADDR4 - RESET=0X14) |                          |     | USB BILLBOARD CONTROL   |
|---|--------------------------|-----|---|
| BIT   | NAME                     | R/W | DESCRIPTION   |
| [7:6]   | Reserved                 | R/W | Always read '0'   |
| [5:1]   | BILLBOARD_EN Pin Select  | R/W | 00000= GPIO64<br>00001= GPIO1<br>00010= GPIO2<br>00011= GPIO3<br>00100= GPIO65<br>00101= GPIO66<br>00110= GPIO67<br>00111= GPIO23<br>01000= GPIO10<br>01001= Reserved<br>01010= GPIO68 (default)<br>01011= GPIO6<br>01100= GPIO69<br>01101= GPIO70<br>01110= GPIO71<br>01111= GPIO5<br>10000= GPIO4 |
| [0]   | Billboard Support Enable | R/W | 0 = Billboard support disabled<br>1 = Billboard support enabled   |

## 8.8.2 BILLBOARD ENDPOINT FUNCTIONALITY

When the applicable GPIO<sub>x</sub> pin is 0, which indicates that Billboard device must be displayed, the following sequence of events will occur:

1. USB5926 will force the Hub Feature Controller internal device to disconnect from the USB Hub port (emulating a physical detach)
2. USB5926 will force the Hub Feature Controller to re-connect with descriptors that will show the Hub Feature Controller endpoint is a Billboard device, compliant to version 1.1 of the Billboard device class specification.
3. USB5926 will start a timer (Timer A) when the Host sets the Hub Feature Controller USB address. This timer will be used to ensure that the Billboard endpoint will not remain permanently attached if it is never accessed. The default Timer A timeout is 20 seconds.
4. This implementation will only support Billboard when a failure occurs, therefore the Device Container uses a static list of device capabilities and will only expose the Billboard Device on failure to enter into Modal Operation and will set the **bmConfigured** descriptor field to "Unspecified Error" (00b) by default.
5. The Hub Feature Controller will Provide the *iAlternateModeString* when the host requests it, and will start a timer (Timer B). The default Timer B timeout is 20 seconds.
6. When either timer expires, the USB5926 will force the Hub Feature Controller internal device to disconnect from the USB Hub port (emulating a physical detach).
7. USB5926 will force the Hub Feature Controller to re-connect with the standard Hub Feature Controller Functionality.

**TABLE 8-10: TIMER A: BILLBOARD DETACH TIMER LSB**

| DETACH_TIMER_A_LSB<br>(413Ch) |         |     | Billboard Detach Timer A LSB   |
|-------------------------------|---------|-----|--|
| BIT                           | Name    | R/W | Description  |
| 7:0                           | TIMEOUT | R/W | <p>Timer A is started as soon as the Hub Feature Controller's Billboard Class Device address is set by the host. Once the timer expires, the Billboard Class Device will automatically detach from the host and re-attach as the default WinUSB device.</p> <p>Increments of 10ms can be set.</p> <p>The default value of 413Ch = D0h, 413Dh = 07h is equivalent to a 20s timeout. (07D0h = 2000d)</p> |

**TABLE 8-11: TIMER A: BILLBOARD DETACH TIMER MSB**

| DETACH_TIMER_A_MSB<br>(413Dh) |         |     | Billboard Detach Timer A MSB  |
|-------------------------------|---------|-----|---|
| BIT                           | Name    | R/W | Description   |
| 7:0                           | TIMEOUT | R/W | <p>Timer A is started as soon as the Hub Feature Controller's Billboard Class Device address is set by the host. Once the timer expires, the Billboard Class Device will automatically detach from the host and re-attach as the default WinUSB device.</p> <p>Increments of 10ms can be set.</p> <p><b>Note:</b> The default value of 413Ch = D0h, 413Dh = 07h is equivalent to a 20s timeout. (07D0h = 2000d)</p> |

**TABLE 8-12: TIMER B: BILLBOARD DETACH TIMER LSB**

| DETACH_TIMER_B_LSB<br>(413Eh) |         |     | Billboard Detach Timer B LSB   |
|-------------------------------|---------|-----|--|
| BIT                           | Name    | R/W | Description  |
| 7:0                           | TIMEOUT | R/W | <p>Timer B is started as soon as the host requests iAlternateModeString. Once the timer expires, the Billboard Class Device will automatically detach from the host and re-attach as the default WinUSB device.</p> <p>Increments of 10ms can be set.</p> <p>The default value of 413Ch = D0h, 413Dh = 07h is equivalent to a 20s timeout. (07D0h = 2000d)</p> |

**TABLE 8-13: TIMER B: BILLBOARD DETACH TIMER MSB**

| DETACH_TIMER_B_MSB<br>(413Fh) |         |     | Billboard Detach Timer A MSB   |
|-------------------------------|---------|-----|--|
| BIT                           | Name    | R/W | Description  |
| 7:0                           | TIMEOUT | R/W | <p>Timer B is started as soon as the host requests <i>iAlternateModeString</i>. Once the timer expires, the Billboard Class Device will automatically detach from the host and re-attach as the default WinUSB device.</p> <p>Increments of 10ms can be set.</p> <p><b>Note:</b> The default value of 413Ch = D0h, 413Dh = 07h is equivalent to a 20s timeout. (07D0h = 2000d)</p> |

### 8.8.3 BILLBOARD DEVICE DESCRIPTORS

The *AlternateModeString* and *iAdditionalInfoURL* descriptors can be configured in the hub to provide the user with additional information about the Alternate Mode failure.

**TABLE 8-14: BILLBOARD DEVICE DESCRIPTORS**

| Offset: 0                                       | Offset: +1                                      | Offset: +2                               | Offset: +3                                 |
|---|---|--|--|
|   |   |  | <i>iAdditionalInfoURL</i><br>Default = 01h |
| <i>bNumberOfAlternateModes</i><br>Default = 01h | <i>bPreferredAlternateMode</i><br>Default = 00h | <i>VCONN Power[0]</i><br>Default = 00h   | <i>VCONN Power[1]</i><br>Default = 80h     |
| <i>bmConfigured[0]</i><br>Default = 00h         | <i>bmConfigured[1]</i><br>Default = 00h         | <i>bmConfigured[2]</i><br>Default = 00h  | <i>bmConfigured[3]</i><br>Default = 00h    |
| <i>bmConfigured[4]</i><br>Default = 00h         | <i>bmConfigured[5]</i><br>Default = 00h         | <i>bmConfigured[6]</i><br>Default = 00h  | <i>bmConfigured[7]</i><br>Default = 00h    |
| <i>bmConfigured[8]</i><br>Default = 00h         | <i>bmConfigured[9]</i><br>Default = 00h         | <i>bmConfigured[10]</i><br>Default = 00h | <i>bmConfigured[11]</i><br>Default = 00h   |
| <i>bmConfigured[12]</i><br>Default = 00h        | <i>bmConfigured[13]</i><br>Default = 00h        | <i>bmConfigured[14]</i><br>Default = 00h | <i>bmConfigured[15]</i><br>Default = 00h   |
| <i>bmConfigured[16]</i><br>Default = 00h        | <i>bmConfigured[17]</i><br>Default = 00h        | <i>bmConfigured[18]</i><br>Default = 00h | <i>bmConfigured[19]</i><br>Default = 00h   |
| <i>bmConfigured[20]</i><br>Default = 00h        | <i>bmConfigured[21]</i><br>Default = 00h        | <i>bmConfigured[22]</i><br>Default = 00h | <i>bmConfigured[23]</i><br>Default = 00h   |
| <i>bmConfigured[24]</i><br>Default = 00h        | <i>bmConfigured[25]</i><br>Default = 00h        | <i>bmConfigured[26]</i><br>Default = 00h | <i>bmConfigured[27]</i><br>Default = 00h   |

**TABLE 8-14: BILLBOARD DEVICE DESCRIPTORS (CONTINUED)**

| Offset: 0                                       | Offset: +1                                      | Offset: +2   | Offset: +3                                      |
|---|---|--|---|
| <b><i>bmConfigured[28]</i></b><br>Default = 00h | <b><i>bmConfigured[29]</i></b><br>Default = 00h | <b><i>bmConfigured[30]</i></b><br>Default = 00h      | <b><i>bmConfigured[31]</i></b><br>Default = 00h |
| <b><i>bcdVersion[0]</i></b><br>Default = 10h    | <b><i>bcdVersion[1]</i></b><br>Default = 01h    | <b><i>bAdditonalFailureInfo</i></b><br>Default = 00h | <b><i>bReserved</i></b><br>Default = 00h        |
| <b><i>wSVID[0]</i></b><br>Default = 00h         | <b><i>wSVID[1]</i></b><br>Default = FFh         | <b><i>bAlternateMode</i></b><br>Default = 00h        |   |

# USB5926

## 9.0 OPERATIONAL CHARACTERISTICS

### 9.1 Absolute Maximum Ratings\*

|   |                                |
|---|--------------------------------|
| +1.2 V Supply Voltage (VDD12) (Note 1)  | -0.5 V to +1.32 V              |
| +3.3 V Supply Voltage (VDD33) (Note 1)  | -0.5 V to +4.6 V               |
| Positive voltage on input signal pins, with respect to ground (Note 2)                            | +4.6 V                         |
| Negative voltage on input signal pins, with respect to ground                                     | -0.5 V                         |
| Positive voltage on XTALI/CLKIN, with respect to ground   | +3.63 V                        |
| Positive voltage on USB DP/DM signal pins, with respect to ground                                 | +6.0 V                         |
| Positive voltage on USB 3.1 Gen 1 USB3UP_XXXX and USB3DN_XXXX signal pins, with respect to ground | 1.32 V                         |
| Storage Temperature   | -55°C to +150°C                |
| Junction Temperature  | +125°C                         |
| Lead Temperature Range  | Refer to JEDEC Spec. J-STD-020 |
| HBM ESD Performance   | 3 kV                           |

**Note 1:** When powering this device from laboratory or system power supplies, it is important that the absolute maximum ratings not be exceeded or device failure can result. Some power supplies exhibit voltage spikes on their outputs when AC power is switched on or off. In addition, voltage transients on the AC power line may appear on the DC output. If this possibility exists, it is suggested to use a clamp circuit.

**Note 2:** This rating does not apply to the following pins: All USB DM/DP pins, XTALI/CLKIN, and XTALO

\*Stresses exceeding those listed in this section could cause permanent damage to the device. This is a stress rating only. Exposure to absolute maximum rating conditions for extended periods may affect device reliability. Functional operation of the device at any condition exceeding those indicated in [Section 9.2, Operating Conditions\\*\\*](#), [Section 9.5, DC Specifications](#), or any other applicable section of this specification is not implied.

### 9.2 Operating Conditions\*\*

|  |                        |
|--|------------------------|
| +1.2 V Supply Voltage (VDD12)  | +1.08 V to +1.32 V     |
| +3.3 V Supply Voltage (VDD33)  | +3.0 V to +3.6 V       |
| Input Signal Pins Voltage (Note 2)   | -0.3 V to +3.6 V       |
| XTALI/CLKIN Voltage  | -0.3 V to +3.6 V       |
| USB 2.0 DP/DM Signal Pins Voltage  | -0.3 V to +5.5 V       |
| USB 3.1 Gen 1 USB3UP_XXXX and USB3DN_XXXX Signal Pins Voltage                    | -0.3 V to +1.32 V      |
| Ambient Operating Temperature in Still Air (T <sub>A</sub> )                     | <a href="#">Note 3</a> |
| +1.2 V Supply Voltage Rise Time (T <sub>RT</sub> in <a href="#">Figure 9-1</a> ) | 400 μs                 |
| +3.3 V Supply Voltage Rise Time (T <sub>RT</sub> in <a href="#">Figure 9-1</a> ) | 400 μs                 |

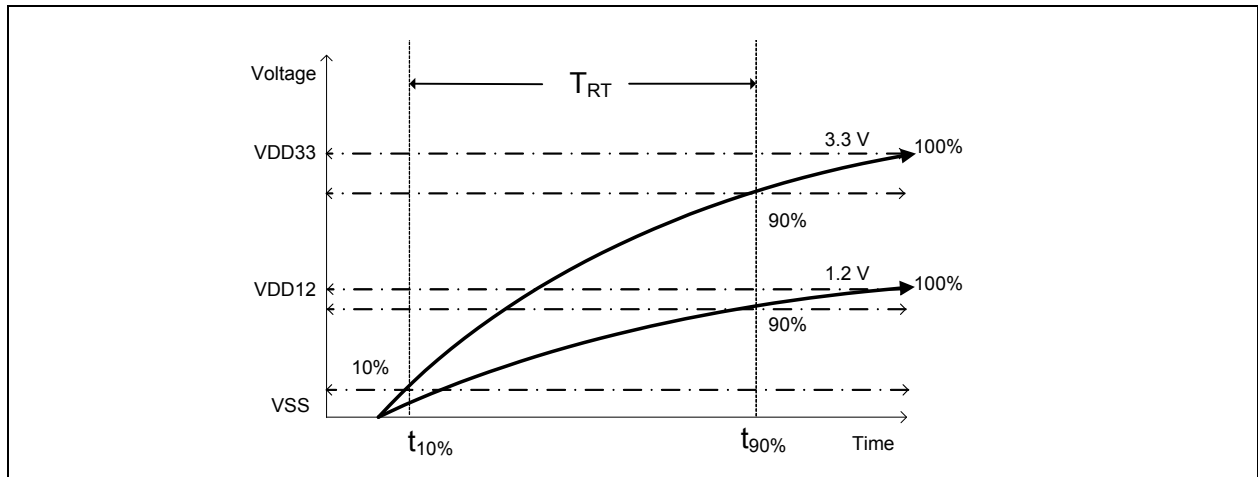
**Note 3:** 0°C to +70°C for commercial version, -40°C to +85°C for industrial version.

\*\*Proper operation of the device is guaranteed only within the ranges specified in this section.

**Note:** Do not drive input signals without power supplied to the device.



**FIGURE 9-1: SUPPLY RISE TIME MODEL**



**Note:** The rise time for the 3.3 V supply can be extended to 100ms max if **RESET\_N** is actively driven low, typically by another IC, until 1  $\mu$ s after all supplies are within operating range.

### 9.3 Package Thermal Specifications

**TABLE 9-1: PACKAGE THERMAL PARAMETERS**

| Symbol        | $^{\circ}\text{C/W}$ | Velocity (Meters/s) |
|---------------|----------------------|---------------------|
| $\Theta_{JA}$ | 19                   | 0                   |
|               | 16                   | 1                   |
| $\Psi_{JT}$   | 0.1                  | 0                   |
|               | 0.1                  | 1                   |
| $\Theta_{JC}$ | 1.4                  | 0                   |
|               | 1.4                  | 1                   |

**Note:** Thermal parameters are measured or estimated for devices in a multi-layer 2S2P PCB per JESDN51.

**TABLE 9-2: MAXIMUM POWER DISSIPATION**

| Parameter | Value | Units |
|-----------|-------|-------|
| PD(max)   | 1.75  | W     |

# USB5926

## 9.4 Power Consumption

The values shown below represent typical power consumption as measured during various modes of operation. Power dissipation is determined by temperature, supply voltage, and external source/sink requirements.

The following measurements were taken with **VDD33** equal to 3.3V, **VDD12** equal to 1.2V, at an ambient temperature of 25°C.

**Note:** A USB 3.x hub operates both the USB 3.x and USB 2.0 interfaces in parallel on it's upstream port connection. A port operating under the SS/HS condition indicates that a USB 3.x hub was connected to it.

**TABLE 9-3: DEVICE POWER CONSUMPTION**

|                         | Typical (mA) |       | Typical Power (mW) |
|-------------------------|--------------|-------|--------------------|
|                         | VDD33        | VDD12 |                    |
| Reset                   | 0.5          | 27.5  | 28                 |
| No VBUS                 | 0.7          | 21.5  | 28                 |
| Global Suspend          | 7.5          | 24.5  | 32                 |
| 4 SS Ports + 2 HS Port  | 83           | 685   | 1,096              |
| 4 SS/HS Ports/2 HS Port | 123          | 693   | 1,238              |

**Note:** Actual power consumption will vary depending on the capabilities of the USB host, the devices connected, data type, and data bus utilization. The published data represents typical power consumption of the hub at nominal ambient temperature and supply voltage while large file transfers are active between USB host and USB Mass Storage class devices on all downstream ports.

Typical power consumption for specific use cases can be estimated using the formulas below:

$$I_{VDD33}(mA) = 35 + (N_{PORTSFS})(1) + (N_{PORTSHS})(10) + (N_{PORTSSS})(7)$$

$$I_{VDD12}(mA) = 245 + (N_{PORTSFS})(0.1) + (N_{PORTSHS})(2) + (N_{PORTSSS})(109)$$

$$P_{TOTAL}(mW) = 409.5 + (N_{PORTSFS})(3.42) + (N_{PORTSHS})(35.4) + (N_{PORTSSS})(153.9)$$

## 9.5 DC Specifications

**TABLE 9-4: I/O DC ELECTRICAL CHARACTERISTICS**

| Parameter   | Symbol           | Min       | Typical | Max | Units | Notes                   |
|---|------------------|-----------|---------|-----|-------|-------------------------|
| <b>I Type Input Buffer</b>  |                  |           |         |     |       |                         |
| Low Input Level   | V <sub>IL</sub>  |           |         | 0.9 | V     |                         |
| High Input Level  | V <sub>IH</sub>  | 2.1       |         |     | V     |                         |
| <b>IS Type Input Buffer</b>                                       |                  |           |         |     |       |                         |
| Low Input Level   | V <sub>IL</sub>  |           |         | 0.9 | V     |                         |
| High Input Level  | V <sub>IH</sub>  | 1.9       |         |     | V     |                         |
| Schmitt Trigger Hysteresis (V <sub>IHT</sub> - V <sub>ILT</sub> ) | V <sub>HYS</sub> | 9         | 20      | 40  | mV    |                         |
| <b>O6 Type Output Buffer</b>                                      |                  |           |         |     |       |                         |
| Low Output Level  | V <sub>OL</sub>  |           |         | 0.4 | V     | I <sub>OL</sub> = 6 mA  |
| High Output Level   | V <sub>OH</sub>  | VDD33-0.4 |         |     | V     | I <sub>OH</sub> = -6 mA |

**TABLE 9-4: I/O DC ELECTRICAL CHARACTERISTICS (CONTINUED)**

| Parameter  | Symbol   | Min              | Typical | Max          | Units | Notes                    |
|--|----------|------------------|---------|--------------|-------|--------------------------|
| <b>O12 Type Output Buffer</b>                        |          |                  |         |              |       |                          |
| Low Output Level                                     | $V_{OL}$ |                  |         | 0.4          | V     | $I_{OL} = 12\text{ mA}$  |
| High Output Level                                    | $V_{OH}$ | <b>VDD33-0.4</b> |         |              | V     | $I_{OH} = -12\text{ mA}$ |
| <b>OD12 Type Output Buffer</b>                       |          |                  |         |              |       |                          |
| Low Output Level                                     | $V_{OL}$ |                  |         | 0.4          | V     | $I_{OL} = 12\text{ mA}$  |
| <b>ICLK Type Input Buffer (XTALI Input)</b>          |          |                  |         |              |       |                          |
| Low Input Level                                      | $V_{IL}$ |                  |         | 0.50         | V     | <a href="#">Note 4</a>   |
| High Input Level                                     | $V_{IH}$ | 0.85             |         | <b>VDD33</b> | V     |                          |
| <b>IO-U Type Buffer (See <a href="#">Note 5</a>)</b> |          |                  |         |              |       |                          |
|  |          |                  |         |              |       | <a href="#">Note 5</a>   |

**Note 4:** XTALI can optionally be driven from a 25 MHz singled-ended clock oscillator.

**Note 5:** Refer to the USB 3.1 Gen 1 Specification for USB DC electrical characteristics.

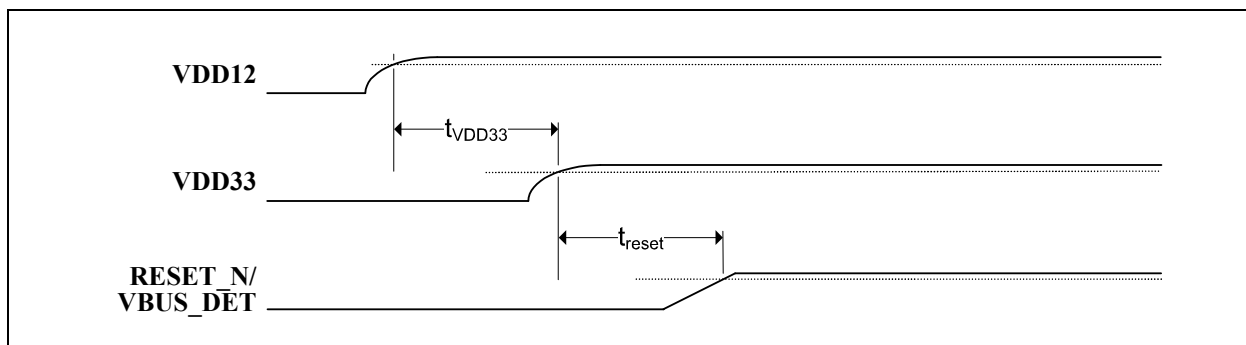
## 9.6 AC Specifications

This section details the various AC timing specifications of the device.

### 9.6.1 POWER SUPPLY AND RESET\_N SEQUENCE TIMING

[Figure 9-2](#) illustrates the recommended power supply sequencing and timing for the device. **VDD33** should rise after or at the same rate as **VDD12**. Similarly, **RESET\_N** and/or **VBUS\_DET** should rise after or at the same rate as **VDD33**. **VBUS\_DET** and **RESET\_N** do not have any other timing dependencies.

**FIGURE 9-2: POWER SUPPLY AND RESET\_N SEQUENCE TIMING**



**TABLE 9-5: POWER SUPPLY AND RESET\_N SEQUENCE TIMING**

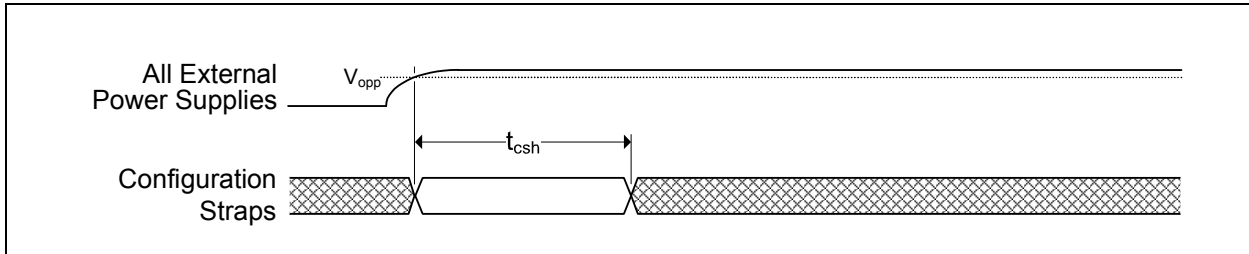
| Symbol      | Description                         | Min | Typ | Max | Units |
|-------------|-------------------------------------|-----|-----|-----|-------|
| $t_{VDD33}$ | VDD12 to VDD33 rise time            | 0   |     |     | ms    |
| $t_{reset}$ | VDD33 to RESET_N/VBUS_DET rise time | 0   |     |     | ms    |

# USB5926

## 9.6.2 POWER-ON AND CONFIGURATION STRAP TIMING

Figure 9-3 illustrates the configuration strap valid timing requirements in relation to power-on, for applications where **RESET\_N** is not used at power-on. In order for valid configuration strap values to be read at power-on, the following timing requirements must be met. The operational levels ( $V_{opp}$ ) for the external power supplies are detailed in Section 9.2, [Operating Conditions](#)\*\*.

**FIGURE 9-3: POWER-ON CONFIGURATION STRAP VALID TIMING**



**TABLE 9-6: POWER-ON CONFIGURATION STRAP LATCHING TIMING**

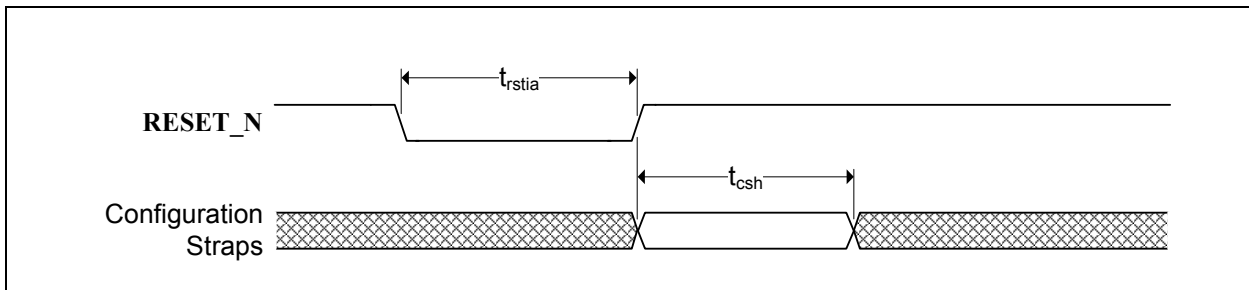
| Symbol    | Description  | Min | Typ | Max | Units |
|-----------|--|-----|-----|-----|-------|
| $t_{csh}$ | Configuration strap hold after external power supplies at operational levels | 1   |     |     | ms    |

Device configuration straps are also latched as a result of **RESET\_N** assertion. Refer to Section 9.6.3, [Reset and Configuration Strap Timing](#) for additional details.

## 9.6.3 RESET AND CONFIGURATION STRAP TIMING

Figure 9-4 illustrates the **RESET\_N** pin timing requirements and its relation to the configuration strap pins. Assertion of **RESET\_N** is not a requirement. However, if used, it must be asserted for the minimum period specified. Refer to Section 8.3, [Resets](#) for additional information on resets. Refer to Section 3.5, [Configuration Straps and Programmable Functions](#) for additional information on configuration straps.

**FIGURE 9-4: RESET\_N CONFIGURATION STRAP TIMING**



**TABLE 9-7: RESET\_N CONFIGURATION STRAP TIMING**

| Symbol      | Description  | Min | Typ | Max | Units   |
|-------------|--|-----|-----|-----|---------|
| $t_{rstia}$ | <b>RESET_N</b> input assertion time                            | 5   |     |     | $\mu$ s |
| $t_{csh}$   | Configuration strap pins hold after <b>RESET_N</b> deassertion | 1   |     |     | ms      |

**Note:** The clock input must be stable prior to **RESET\_N** deassertion.

Configuration strap latching and output drive timings shown assume that the Power-On reset has finished first otherwise the timings in Section 9.6.2, [Power-On and Configuration Strap Timing](#) apply.

## 9.6.4 USB TIMING

All device USB signals confirm to the voltage, power, and timing characteristics/specifications as set forth in the *Universal Serial Bus Specification*. Please refer to the *Universal Serial Bus Revision 3.1 Specification*, available at <http://www.usb.org/developers/docs>.

## 9.6.5 I<sup>2</sup>C TIMING

All device I<sup>2</sup>C signals confirm to the 100KHz Standard Mode (Sm) voltage, power, and timing characteristics/specifications as set forth in the *I<sup>2</sup>C-Bus Specification*. Please refer to the *I<sup>2</sup>C-Bus Specification*, available at [http://www.nxp.com/documents/user\\_manual/UM10204.pdf](http://www.nxp.com/documents/user_manual/UM10204.pdf).

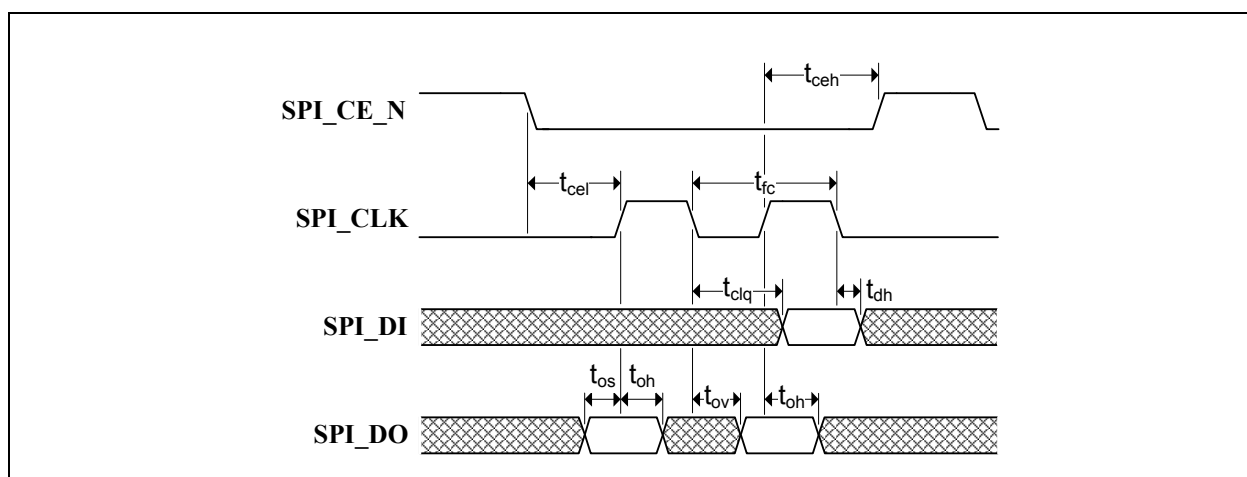
## 9.6.6 SMBUS TIMING

All device SMBus signals confirm to the voltage, power, and timing characteristics/specifications as set forth in the *System Management Bus Specification*. Please refer to the *System Management Bus Specification*, Version 1.0, available at <http://smbus.org/specs>.

## 9.6.7 SPI TIMING

This section specifies the SPI timing requirements for the device.

**FIGURE 9-5: SPI TIMING**



**TABLE 9-8: SPI TIMING (30 MHZ OPERATION)**

| Symbol    | Description                                | Min | Typ | Max | Units |
|-----------|--|-----|-----|-----|-------|
| $t_{fc}$  | Clock frequency                            |     |     | 30  | MHz   |
| $t_{ceh}$ | Chip enable (SPI_CE_EN) high time          | 100 |     |     | ns    |
| $t_{clq}$ | Clock to input data                        |     |     | 13  | ns    |
| $t_{dh}$  | Input data hold time                       | 0   |     |     | ns    |
| $t_{os}$  | Output setup time                          | 5   |     |     | ns    |
| $t_{oh}$  | Output hold time                           | 5   |     |     | ns    |
| $t_{ov}$  | Clock to output valid                      | 4   |     |     | ns    |
| $t_{cel}$ | Chip enable (SPI_CE_EN) low to first clock | 12  |     |     | ns    |
| $t_{ceh}$ | Last clock to chip enable (SPI_CE_EN) high | 12  |     |     | ns    |

**TABLE 9-9: SPI TIMING (60 MHZ OPERATION)**

| Symbol   | Description     | Min | Typ | Max | Units |
|----------|-----------------|-----|-----|-----|-------|
| $t_{fc}$ | Clock frequency |     |     | 60  | MHz   |

# USB5926

**TABLE 9-9: SPI TIMING (60 MHz OPERATION)**

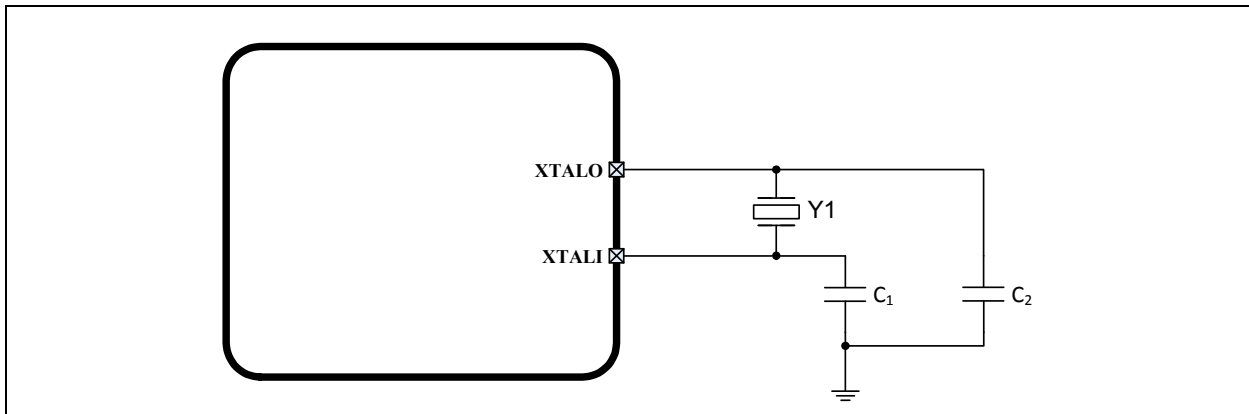
| Symbol    | Description                                | Min | Typ | Max | Units |
|-----------|--|-----|-----|-----|-------|
| $t_{ceh}$ | Chip enable (SPI_CE_EN) high time          | 50  |     |     | ns    |
| $t_{clq}$ | Clock to input data                        |     |     | 9   | ns    |
| $t_{dh}$  | Input data hold time                       | 0   |     |     | ns    |
| $t_{os}$  | Output setup time                          | 5   |     |     | ns    |
| $t_{oh}$  | Output hold time                           | 5   |     |     | ns    |
| $t_{ov}$  | Clock to output valid                      | 4   |     |     | ns    |
| $t_{cel}$ | Chip enable (SPI_CE_EN) low to first clock | 12  |     |     | ns    |
| $t_{ceh}$ | Last clock to chip enable (SPI_CE_EN) high | 12  |     |     | ns    |

## 9.7 Clock Specifications

The device can accept either a 25MHz crystal or a 25MHz single-ended clock oscillator ( $\pm 50$ ppm) input. If the single-ended clock oscillator method is implemented, XTALO should be left unconnected and XTALI/CLKIN should be driven with a nominal 0-3.3V clock signal. The input clock duty cycle is 40% minimum, 50% typical and 60% maximum.

It is recommended that a crystal utilizing matching parallel load capacitors be used for the crystal input/output signals (XTALI/XTALO). The following circuit design (Figure 9-6) and specifications (Table 9-10) are required to ensure proper operation.

**FIGURE 9-6: 25MHZ CRYSTAL CIRCUIT**



### 9.7.1 CRYSTAL SPECIFICATIONS

It is recommended that a crystal utilizing matching parallel load capacitors be used for the crystal input/output signals (XTALI/XTALO). Refer to Table 9-10 for the recommended crystal specifications.

**TABLE 9-10: CRYSTAL SPECIFICATIONS**

| PARAMETER                     | SYMBOL     | MIN                    | NOM          | MAX       | UNITS | NOTES  |
|-------------------------------|------------|------------------------|--------------|-----------|-------|--------|
| Crystal Cut                   |            | AT, typ                |              |           |       |        |
| Crystal Oscillation Mode      |            | Fundamental Mode       |              |           |       |        |
| Crystal Calibration Mode      |            | Parallel Resonant Mode |              |           |       |        |
| Frequency                     | $F_{fund}$ | -                      | 25.000       | -         | MHz   |        |
| Frequency Tolerance @ 25°C    | $F_{tol}$  | -                      | -            | $\pm 50$  | PPM   |        |
| Frequency Stability Over Temp | $F_{temp}$ | -                      | -            | $\pm 50$  | PPM   |        |
| Frequency Deviation Over Time | $F_{age}$  | -                      | $\pm 3$ to 5 | -         | PPM   | Note 6 |
| Total Allowable PPM Budget    |            | -                      | -            | $\pm 100$ | PPM   | Note 7 |
| Shunt Capacitance             | $C_O$      | -                      | 7 typ        | -         | pF    |        |

**TABLE 9-10: CRYSTAL SPECIFICATIONS (CONTINUED)**

| PARAMETER                    | SYMBOL | MIN    | NOM    | MAX    | UNITS              | NOTES  |
|------------------------------|--------|--------|--------|--------|--------------------|--------|
| Load Capacitance             | $C_L$  | -      | 20 typ | -      | pF                 |        |
| Drive Level                  | $P_W$  | 100    | -      | -      | uW                 |        |
| Equivalent Series Resistance | $R_1$  | -      | -      | 60     | $\Omega$           |        |
| Operating Temperature Range  |        | Note 7 | -      | Note 8 | $^{\circ}\text{C}$ |        |
| XTALI/CLKIN Pin Capacitance  |        | -      | 3 typ  | -      | pF                 | Note 9 |
| XTALO Pin Capacitance        |        | -      | 3 typ  | -      | pF                 | Note 9 |

**Note 6:** Frequency Deviation Over Time is also referred to as Aging.

**Note 7:** 0  $^{\circ}\text{C}$  for commercial version, -40  $^{\circ}\text{C}$  for industrial version.

**Note 8:** +70  $^{\circ}\text{C}$  for commercial version, +85  $^{\circ}\text{C}$  for industrial version.

**Note 9:** This number includes the pad, the bond wire and the lead frame. PCB capacitance is not included in this value. The XTALI/CLKIN pin, XTALO pin and PCB capacitance values are required to accurately calculate the value of the two external load capacitors. These two external load capacitors determine the accuracy of the 25.000 MHz frequency.

## 9.7.2 EXTERNAL REFERENCE CLOCK (CLKIN)

When using an external reference clock, the following input clock specifications are suggested:


- 25 MHz
- 50% duty cycle  $\pm 10\%$ ,  $\pm 100$  ppm
- Jitter < 100 ps RMS

# USB5926

## 10.0 PACKAGE INFORMATION

### 10.1 Package Marking Information

100-VQFN (12x12 mm)



**Legend:**

|          |  |
|----------|--|
| <i>i</i> | Temperature range designator (Blank = commercial, <i>i</i> = industrial) |
| R        | Product revision   |
| nnn      | Internal code  |
| e3       | Pb-free JEDEC <sup>®</sup> designator for Matte Tin (Sn)                 |
| YY       | Year code (last two digits of calendar year)                             |
| WW       | Week code (week of January 1 is week '01')                               |
| NNN      | Alphanumeric traceability code   |

**Note:** In the event the full Microchip part number cannot be marked on one line, it will be carried over to the next line, thus limiting the number of available characters for customer-specific information.

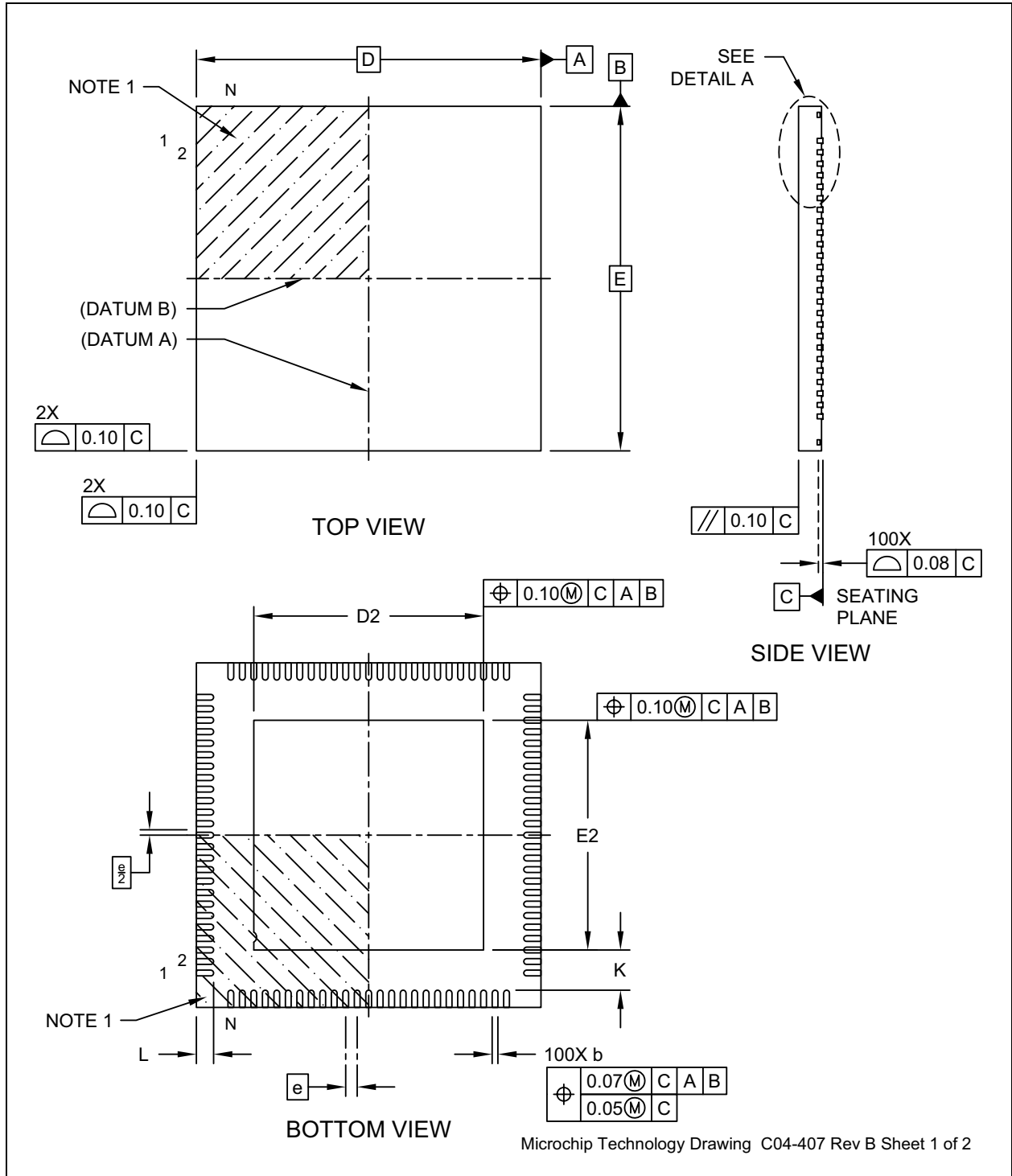
\* Standard device marking consists of Microchip part number, year code, week code and traceability code. For device marking beyond this, certain price adders apply. Please check with your Microchip Sales Office. For QTP devices, any special marking adders are included in QTP price.



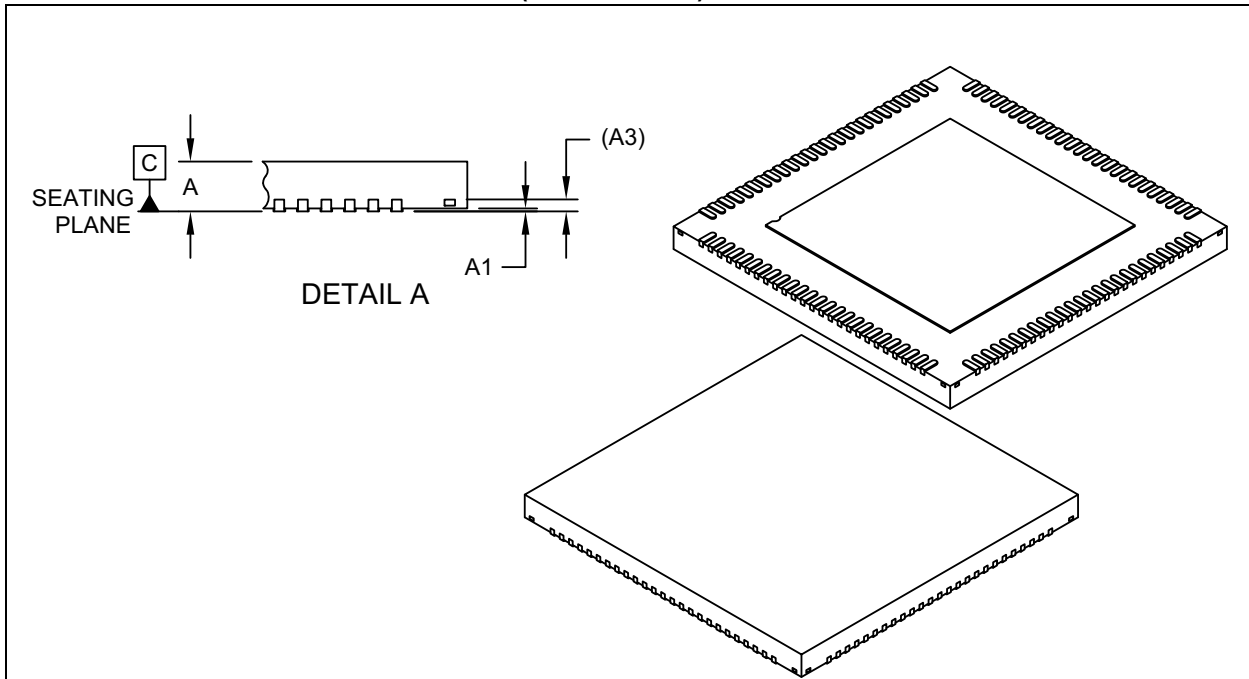
10.2 Package Drawings

**Note:** For the most current package drawings, see the Microchip Packaging Specification at: <http://www.microchip.com/packaging>.

FIGURE 10-1: 100-VQFN PACKAGE (DRAWING)



**FIGURE 10-2: 100-VQFN PACKAGE (DIMENSIONS)**



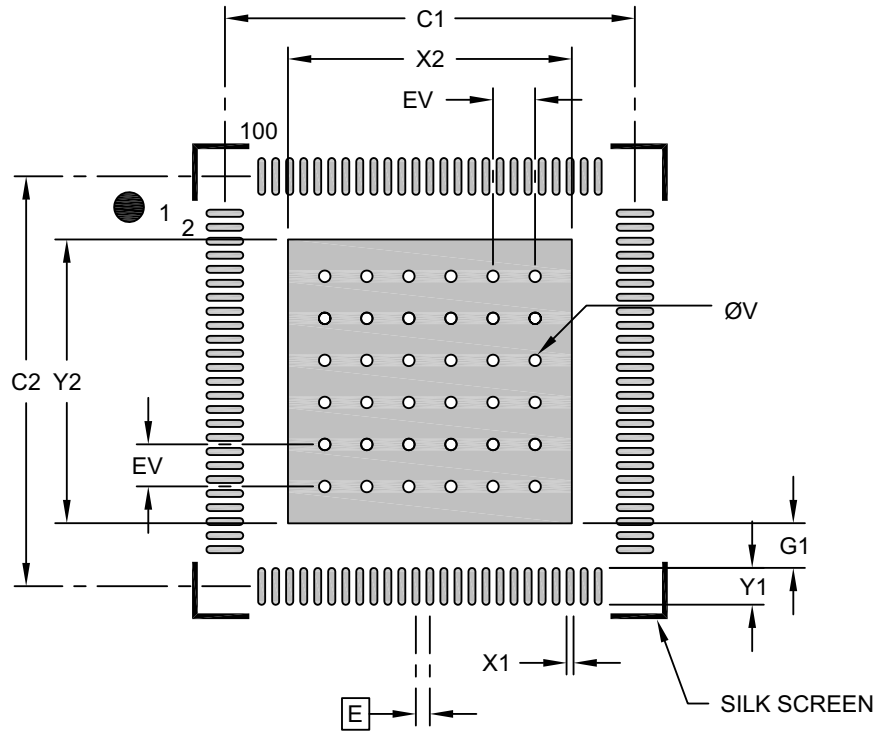
|                         | Units | MILLIMETERS |      |      |
|-------------------------|-------|-------------|------|------|
|                         |       | MIN         | NOM  | MAX  |
| Dimension Limits        |       |             |      |      |
| Number of Terminals     | N     | 100         |      |      |
| Pitch                   | e     | 0.40 BSC    |      |      |
| Overall Height          | A     | 0.80        | 0.85 | 0.90 |
| Standoff                | A1    | 0.00        | 0.02 | 0.05 |
| Terminal Thickness      | A3    | 0.203 REF   |      |      |
| Overall Length          | D     | 12.00 BSC   |      |      |
| Exposed Pad Length      | D2    | 7.90        | 8.00 | 8.10 |
| Overall Width           | E     | 12.00 BSC   |      |      |
| Exposed Pad Width       | E2    | 7.90        | 8.00 | 8.10 |
| Terminal Width          | b     | 0.15        | 0.20 | 0.25 |
| Terminal Length         | L     | 0.50        | 0.60 | 0.70 |
| Terminal-to-Exposed-Pad | K     | 1.30        | -    | -    |

**Notes:**

1. Pin 1 visual index feature may vary, but must be located within the hatched area.
2. Package is saw singulated
3. Dimensioning and tolerancing per ASME Y14.5M
  - BSC: Basic Dimension. Theoretically exact value shown without tolerances.
  - REF: Reference Dimension, usually without tolerance, for information purposes only.

Microchip Technology Drawing C04-407 Rev B Sheet 2 of 2

FIGURE 10-3: 100-VQFN PACKAGE (LAND PATTERN)



RECOMMENDED LAND PATTERN

| Dimension Limits                 | Units | MILLIMETERS |       |      |
|----------------------------------|-------|-------------|-------|------|
|                                  |       | MIN         | NOM   | MAX  |
| Contact Pitch                    | E     | 0.40 BSC    |       |      |
| Optional Center Pad Width        | X2    |             |       | 8.10 |
| Optional Center Pad Length       | Y2    |             |       | 8.10 |
| Contact Pad Spacing              | C1    |             | 11.70 |      |
| Contact Pad Spacing              | C2    |             | 11.70 |      |
| Contact Pad Width (X100)         | X1    |             |       | 0.20 |
| Contact Pad Length (X100)        | Y1    |             |       | 1.05 |
| Contact Pad to Center Pad (X100) | G1    | 0.20        |       |      |
| Thermal Via Diameter             | V     |             | 0.33  |      |
| Thermal Via Pitch                | EV    |             | 1.20  |      |

Notes:

1. Dimensioning and tolerancing per ASME Y14.5M  
BSC: Basic Dimension. Theoretically exact value shown without tolerances.
2. For best soldering results, thermal vias, if used, should be filled or tented to avoid solder loss during reflow process

Microchip Technology Drawing C04-2407A

## APPENDIX A: REVISION HISTORY

TABLE A-1: REVISION HISTORY

| Revision Level & Date  | Section/Figure/Entry   | Correction  |
|------------------------|--|---|
| DS00002234D (05-21-18) | <a href="#">Table 3-6</a>  | Added pull-down (PD) to buffer type of C_ATTACH[0:2], AB[0:2], CC_POL, ALT_MUX_EN, ATTACH_MUX[0:2]A, ATTACH_MUX[0:2]B pins. |
|                        | <a href="#">Table 3-6</a>  | Corrected the AB[0:2] 0 and 1 state descriptions.   |
|                        | <a href="#">Section 8.7.2.1, Enabling Port Splitting</a>   | Updated section and added USB3_PORT_SPLIT_EN register information.  |
| DS00002234C (08-18-17) | <a href="#">Figure 10-1, Figure 10-2, Figure 10-3</a>  | Updated package drawings.   |
|                        | Cover, <a href="#">Section 2.1, General Description</a> , <a href="#">Section 8.0, Functional Descriptions</a> | Removed references to FlexConnect.  |
|                        | <a href="#">Section 3.2, Pin Symbols, Figure 3-1, Table 3-4</a>  | Removed references to FLEX_CMD and FLEX_STATE pins.   |
|                        | <a href="#">Section 3.2, Pin Symbols, Figure 3-1, Table 3-4</a>  | Removed references to PRT_CTL0 pin.   |
|                        | <a href="#">Table 9-10</a>   | Updated max equivalent series resistance to 60Ω.  |
|                        | <a href="#">Table 9-3</a>  | Updated values.   |
| DS00002234B (01-20-17) | <a href="#">Figure 4-2, SPI ROM Connections</a>  | Modified drawing by changing position of DO to DI and DI to DO  |
|                        | <a href="#">Table 9-3, Device Power Consumption</a>  | Typical power consumption formula added below table.  |
|                        | <a href="#">Section 8.7.2.1, Enabling Port Splitting</a>   | Options A and B added.  |
|                        | Throughout data sheet  | Changed 62kOhm to 50kOhm  |
|                        | <a href="#">Table 3-1, Pin Reset State Legend</a>  | In PD-15k, changed “Hardware enables internal 62kOhm pull-down” to “Hardware enables internal 15kOhm pull-down”             |
|                        | <a href="#">Section 3.2, Pin Symbols</a><br><a href="#">Figure 3-1 Pin Assignments (Top View)</a>              | Updated pin names for pin numbers: 51, 52, 57, 58 and 62<br><br>Modified Figure titles 8-1 and 8-4.                         |
| DS00002234A (10-03-16) | All  | Initial Release   |

---

**Note the following details of the code protection feature on Microchip devices:**

- Microchip products meet the specification contained in their particular Microchip Data Sheet.
- Microchip believes that its family of products is one of the most secure families of its kind on the market today, when used in the intended manner and under normal conditions.
- There are dishonest and possibly illegal methods used to breach the code protection feature. All of these methods, to our knowledge, require using the Microchip products in a manner outside the operating specifications contained in Microchip's Data Sheets. Most likely, the person doing so is engaged in theft of intellectual property.
- Microchip is willing to work with the customer who is concerned about the integrity of their code.
- Neither Microchip nor any other semiconductor manufacturer can guarantee the security of their code. Code protection does not mean that we are guaranteeing the product as “unbreakable.”

Code protection is constantly evolving. We at Microchip are committed to continuously improving the code protection features of our products. Attempts to break Microchip's code protection feature may be a violation of the Digital Millennium Copyright Act. If such acts allow unauthorized access to your software or other copyrighted work, you may have a right to sue for relief under that Act.

---

Information contained in this publication regarding device applications and the like is provided only for your convenience and may be superseded by updates. It is your responsibility to ensure that your application meets with your specifications. MICROCHIP MAKES NO REPRESENTATIONS OR WARRANTIES OF ANY KIND WHETHER EXPRESS OR IMPLIED, WRITTEN OR ORAL, STATUTORY OR OTHERWISE, RELATED TO THE INFORMATION, INCLUDING BUT NOT LIMITED TO ITS CONDITION, QUALITY, PERFORMANCE, MERCHANTABILITY OR FITNESS FOR PURPOSE. Microchip disclaims all liability arising from this information and its use. Use of Microchip devices in life support and/or safety applications is entirely at the buyer's risk, and the buyer agrees to defend, indemnify and hold harmless Microchip from any and all damages, claims, suits, or expenses resulting from such use. No licenses are conveyed, implicitly or otherwise, under any Microchip intellectual property rights unless otherwise stated.

**Trademarks**

The Microchip name and logo, the Microchip logo, AnyRate, AVR, AVR logo, AVR Freaks, BeaconThings, BitCloud, CryptoMemory, CryptoRF, dsPIC, FlashFlex, flexPWR, Helder, JukeBlox, KEELOQ, KEELOQ logo, Kleer, LANCheck, LINK MD, maXStylus, maXTouch, MediaLB, megaAVR, MOST, MOST logo, MPLAB, OptoLyzer, PIC, picoPower, PICSTART, PIC32 logo, Prochip Designer, QTouch, RightTouch, SAM-BA, SpyNIC, SST, SST Logo, SuperFlash, tinyAVR, UNI/O, and XMEGA are registered trademarks of Microchip Technology Incorporated in the U.S.A. and other countries.

ClockWorks, The Embedded Control Solutions Company, EtherSynch, Hyper Speed Control, HyperLight Load, IntellIMOS, mTouch, Precision Edge, and Quiet-Wire are registered trademarks of Microchip Technology Incorporated in the U.S.A.

Adjacent Key Suppression, AKS, Analog-for-the-Digital Age, Any Capacitor, AnyIn, AnyOut, BodyCom, chipKIT, chipKIT logo, CodeGuard, CryptoAuthentication, CryptoCompanion, CryptoController, dsPICDEM, dsPICDEM.net, Dynamic Average Matching, DAM, ECAN, EtherGREEN, In-Circuit Serial Programming, ICSP, Inter-Chip Connectivity, JitterBlocker, KleerNet, KleerNet logo, Mindi, MiWi, motorBench, MPASM, MPF, MPLAB Certified logo, MPLIB, MPLINK, MultiTRAK, NetDetach, Omniscient Code Generation, PICDEM, PICDEM.net, PICKit, PICtail, PureSilicon, QMatrix, RightTouch logo, REAL ICE, Ripple Blocker, SAM-ICE, Serial Quad I/O, SMART-I.S., SQI, SuperSwitcher, SuperSwitcher II, Total Endurance, TSHARC, USBCheck, VariSense, ViewSpan, WiperLock, Wireless DNA, and ZENA are trademarks of Microchip Technology Incorporated in the U.S.A. and other countries.

SQTP is a service mark of Microchip Technology Incorporated in the U.S.A.

Silicon Storage Technology is a registered trademark of Microchip Technology Inc. in other countries.

GestIC is a registered trademark of Microchip Technology Germany II GmbH & Co. KG, a subsidiary of Microchip Technology Inc., in other countries.

All other trademarks mentioned herein are property of their respective companies.

© 2016-2018, Microchip Technology Incorporated, All Rights Reserved.

ISBN: 9781522431077

**QUALITY MANAGEMENT SYSTEM**  
**CERTIFIED BY DNV**  
**== ISO/TS 16949 ==**

*Microchip received ISO/TS-16949:2009 certification for its worldwide headquarters, design and wafer fabrication facilities in Chandler and Tempe, Arizona; Gresham, Oregon and design centers in California and India. The Company's quality system processes and procedures are for its PIC® MCUs and dsPIC® DSCs, KEELOQ® code hopping devices, Serial EEPROMs, microperipherals, nonvolatile memory and analog products. In addition, Microchip's quality system for the design and manufacture of development systems is ISO 9001:2000 certified.*

# USB5926

## PRODUCT IDENTIFICATION SYSTEM

To order or obtain information, e.g., on pricing or delivery, refer to the factory or the listed sales office.

| <u>PART NO.</u>              | <u>[X]<sup>(1)</sup></u>  | <u>[-X]</u>       | <u>/XX</u> |
|------------------------------|---|-------------------|------------|
| Device                       | Tape and Reel Option  | Temperature Range | Package    |
| <b>Device:</b>               | USB5926   |                   |            |
| <b>Tape and Reel Option:</b> | Blank = Standard packaging (tube or tray)<br>T = Tape and Reel <sup>(1)</sup> |                   |            |
| <b>Temperature Range:</b>    | Blank = 0°C to +70°C (Commercial)<br>I = -40°C to +85°C (Industrial)          |                   |            |
| <b>Package:</b>              | KD = 100-pin VQFN   |                   |            |

**Examples:**

- a) USB5926/KD  
Tray, Commercial temp., 100-pin VQFN
- b) USB5926-I/KD  
Tray, Industrial temp., 100-pin VQFN
- c) USB5926T/KD  
Tape & reel, Commercial temp., 100-pin VQFN
- d) USB5926T-I/KD  
Tape & reel, Industrial temp., 100-pin VQFN

**Note 1:** Tape and Reel identifier only appears in the catalog part number description. This identifier is used for ordering purposes and is not printed on the device package. Check with your Microchip Sales Office for package availability with the Tape and Reel option.

## THE MICROCHIP WEB SITE

Microchip provides online support via our WWW site at [www.microchip.com](http://www.microchip.com). This web site is used as a means to make files and information easily available to customers. Accessible by using your favorite Internet browser, the web site contains the following information:

- **Product Support** – Data sheets and errata, application notes and sample programs, design resources, user's guides and hardware support documents, latest software releases and archived software
- **General Technical Support** – Frequently Asked Questions (FAQ), technical support requests, online discussion groups, Microchip consultant program member listing
- **Business of Microchip** – Product selector and ordering guides, latest Microchip press releases, listing of seminars and events, listings of Microchip sales offices, distributors and factory representatives

## CUSTOMER CHANGE NOTIFICATION SERVICE

Microchip's customer notification service helps keep customers current on Microchip products. Subscribers will receive e-mail notification whenever there are changes, updates, revisions or errata related to a specified product family or development tool of interest.

To register, access the Microchip web site at [www.microchip.com](http://www.microchip.com). Under "Support", click on "Customer Change Notification" and follow the registration instructions.

## CUSTOMER SUPPORT

Users of Microchip products can receive assistance through several channels:

- Distributor or Representative
- Local Sales Office
- Field Application Engineer (FAE)
- Technical Support

Customers should contact their distributor, representative or Field Application Engineer (FAE) for support. Local sales offices are also available to help customers. A listing of sales offices and locations is included in the back of this document.

**Technical support is available through the web site at: <http://microchip.com/support>**



## Worldwide Sales and Service

### AMERICAS

**Corporate Office**  
2355 West Chandler Blvd.  
Chandler, AZ 85224-6199  
Tel: 480-792-7200  
Fax: 480-792-7277  
Technical Support:  
<http://www.microchip.com/support>  
Web Address:  
[www.microchip.com](http://www.microchip.com)

#### Atlanta

Duluth, GA  
Tel: 678-957-9614  
Fax: 678-957-1455

#### Austin, TX

Tel: 512-257-3370

#### Boston

Westborough, MA  
Tel: 774-760-0087  
Fax: 774-760-0088

#### Chicago

Itasca, IL  
Tel: 630-285-0071  
Fax: 630-285-0075

#### Dallas

Addison, TX  
Tel: 972-818-7423  
Fax: 972-818-2924

#### Detroit

Novi, MI  
Tel: 248-848-4000

#### Houston, TX

Tel: 281-894-5983

#### Indianapolis

Noblesville, IN  
Tel: 317-773-8323  
Fax: 317-773-5453  
Tel: 317-536-2380

#### Los Angeles

Mission Viejo, CA  
Tel: 949-462-9523  
Fax: 949-462-9608  
Tel: 951-273-7800

#### Raleigh, NC

Tel: 919-844-7510

#### New York, NY

Tel: 631-435-6000

#### San Jose, CA

Tel: 408-735-9110  
Tel: 408-436-4270

#### Canada - Toronto

Tel: 905-695-1980  
Fax: 905-695-2078

### ASIA/PACIFIC

**Australia - Sydney**  
Tel: 61-2-9868-6733

**China - Beijing**  
Tel: 86-10-8569-7000

**China - Chengdu**  
Tel: 86-28-8665-5511

**China - Chongqing**  
Tel: 86-23-8980-9588

**China - Dongguan**  
Tel: 86-769-8702-9880

**China - Guangzhou**  
Tel: 86-20-8755-8029

**China - Hangzhou**  
Tel: 86-571-8792-8115

**China - Hong Kong SAR**  
Tel: 852-2943-5100

**China - Nanjing**  
Tel: 86-25-8473-2460

**China - Qingdao**  
Tel: 86-532-8502-7355

**China - Shanghai**  
Tel: 86-21-3326-8000

**China - Shenyang**  
Tel: 86-24-2334-2829

**China - Shenzhen**  
Tel: 86-755-8864-2200

**China - Suzhou**  
Tel: 86-186-6233-1526

**China - Wuhan**  
Tel: 86-27-5980-5300

**China - Xian**  
Tel: 86-29-8833-7252

**China - Xiamen**  
Tel: 86-592-2388138

**China - Zhuhai**  
Tel: 86-756-3210040

### ASIA/PACIFIC

**India - Bangalore**  
Tel: 91-80-3090-4444

**India - New Delhi**  
Tel: 91-11-4160-8631

**India - Pune**  
Tel: 91-20-4121-0141

**Japan - Osaka**  
Tel: 81-6-6152-7160

**Japan - Tokyo**  
Tel: 81-3-6880-3770

**Korea - Daegu**  
Tel: 82-53-744-4301

**Korea - Seoul**  
Tel: 82-2-554-7200

**Malaysia - Kuala Lumpur**  
Tel: 60-3-7651-7906

**Malaysia - Penang**  
Tel: 60-4-227-8870

**Philippines - Manila**  
Tel: 63-2-634-9065

**Singapore**  
Tel: 65-6334-8870

**Taiwan - Hsin Chu**  
Tel: 886-3-577-8366

**Taiwan - Kaohsiung**  
Tel: 886-7-213-7830

**Taiwan - Taipei**  
Tel: 886-2-2508-8600

**Thailand - Bangkok**  
Tel: 66-2-694-1351

**Vietnam - Ho Chi Minh**  
Tel: 84-28-5448-2100

### EUROPE

**Austria - Wels**  
Tel: 43-7242-2244-39  
Fax: 43-7242-2244-393

**Denmark - Copenhagen**  
Tel: 45-4450-2828  
Fax: 45-4485-2829

**Finland - Espoo**  
Tel: 358-9-4520-820

**France - Paris**  
Tel: 33-1-69-53-63-20  
Fax: 33-1-69-30-90-79

**Germany - Garching**  
Tel: 49-8931-9700

**Germany - Haan**  
Tel: 49-2129-3766400

**Germany - Heilbronn**  
Tel: 49-7131-67-3636

**Germany - Karlsruhe**  
Tel: 49-721-625370

**Germany - Munich**  
Tel: 49-89-627-144-0  
Fax: 49-89-627-144-44

**Germany - Rosenheim**  
Tel: 49-8031-354-560

**Israel - Ra'anana**  
Tel: 972-9-744-7705

**Italy - Milan**  
Tel: 39-0331-742611  
Fax: 39-0331-466781

**Italy - Padova**  
Tel: 39-049-7625286

**Netherlands - Drunen**  
Tel: 31-416-690399  
Fax: 31-416-690340

**Norway - Trondheim**  
Tel: 47-7289-7561

**Poland - Warsaw**  
Tel: 48-22-3325737

**Romania - Bucharest**  
Tel: 40-21-407-87-50

**Spain - Madrid**  
Tel: 34-91-708-08-90  
Fax: 34-91-708-08-91

**Sweden - Gothenberg**  
Tel: 46-31-704-60-40

**Sweden - Stockholm**  
Tel: 46-8-5090-4654

**UK - Wokingham**  
Tel: 44-118-921-5800  
Fax: 44-118-921-5820