

# SAMXD Series Dust Protected Seat Adjustment Switches

New

## Features/Benefits

- Multi-directional 2 & 4 ways
- Power handling for motor direct drive
- IP5x
- THT terminations

## Typical Applications

- Seat adjustment module for passenger cars & commercial vehicles
- Industrial joystick



| P/N           | Description         |       | Actuator Position | Actuator Shape | Spring Pin | Cycles | Operating Force (N) | Travel (mm) |
|---------------|---------------------|-------|-------------------|----------------|------------|--------|---------------------|-------------|
| SAMXDH2LR14SP | SAM XD 2W LR Switch | 2 way | Left              | Round          | Yes        | 30,000 | 5.3 ± 1.5           | 1.3 ± 0.4   |
| SAMXDH2LR10SP | SAM XD 2W LR Switch | 2 way | Left              | Round          | Yes        | 30,000 | 6.0 ± 1.75          | 1.0 ± 0.4   |
| SAMXDH2LR10   | SAM XD 2W LR Switch | 2 way | Left              | Round          | No         | 30,000 | 6.0 ± 1.75          | 1.0 ± 0.4   |
| SAMXDH2LS11   | SAM XD 2W LS Switch | 2 way | Left              | Square         | No         | 30,000 | 6.0 ± 1.75          | 1.0 ± 0.4   |
| SAMXDH2MR14SP | SAM XD 2W MR Switch | 2 way | Middle            | Round          | Yes        | 30,000 | 5.3 ± 1.5           | 1.3 ± 0.4   |
| SAMXDH2MR10SP | SAM XD 2W MR Switch | 2 way | Middle            | Round          | Yes        | 30,000 | 6.0 ± 1.75          | 1.0 ± 0.4   |
| SAMXDH4MR11SP | SAM XD 4W MR Switch | 4 way | Middle            | Round          | Yes        | 30,000 | 6.0 ± 1.75          | 1.2 ± 0.4   |
| SAMXDH4MS11   | SAM XD 4W MR Switch | 4 way | Middle            | Square         | No         | 30,000 | 6.0 ± 1.75          | 1.2 ± 0.4   |

## Specifications

FUNCTION: Momentary action  
 CONTACT ARRANGEMENT: SPDT per switching circuit  
 SWITCHING MODE: Non-Shorting  
 TERMINALS: THT - Through Hole Terminals

## Electrical

RATING: 15A @ 14V DC  
 INITIAL CONTACT RESISTANCE: <50mΩ per switching circuit  
 JUMP START: 26VDC for 1 minute  
 OVER VOLTAGE: 18VDC for 60 minute at 65°C  
 OVER CURRENT: 30A at 14V for 10 minute  
 BOUNCE TIME: <10ms

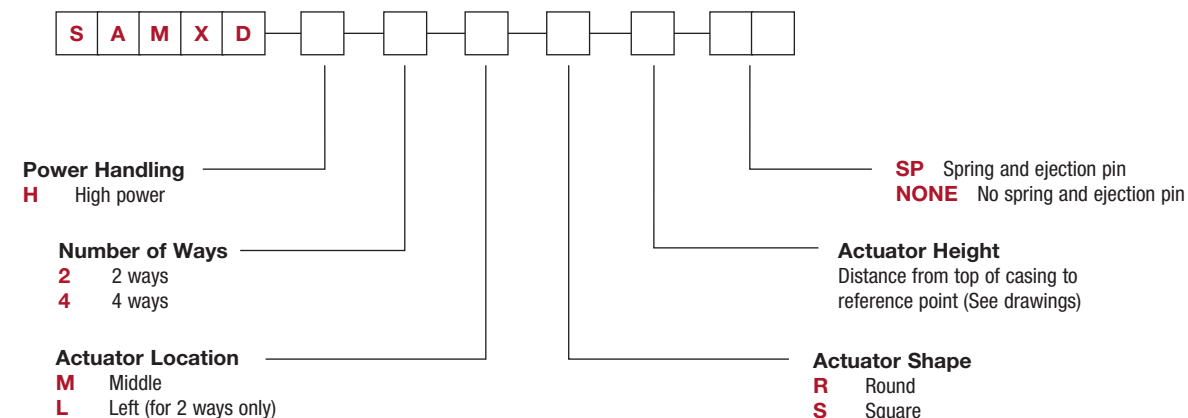
## Environmental

OPERATING TEMPERATURE: -40°C to +85°C  
 SEALING LEVEL: IP5x

## How To Order

Our easy build-a-switch concept allows you to mix and match options to create the switch you need. To order, select desired option from each category and place it in the appropriate box.

For any part number different from those listed above, please consult your local representative.



Dimensions are shown: mm

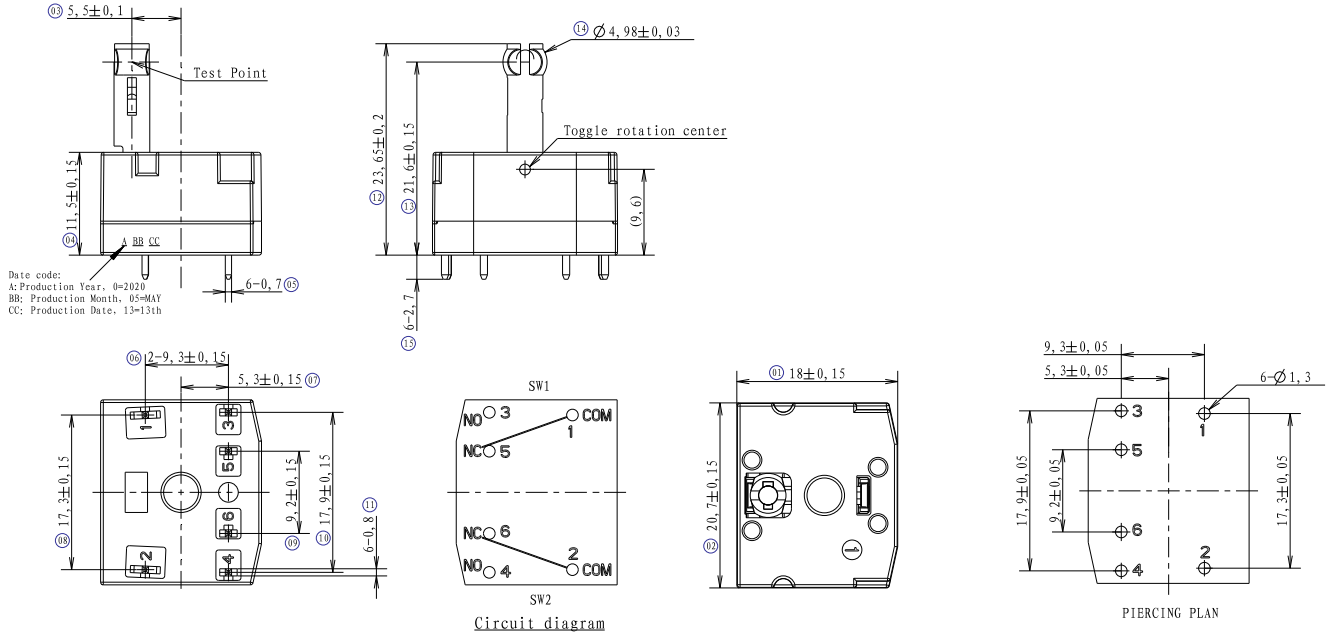
Specifications and dimensions subject to change



New

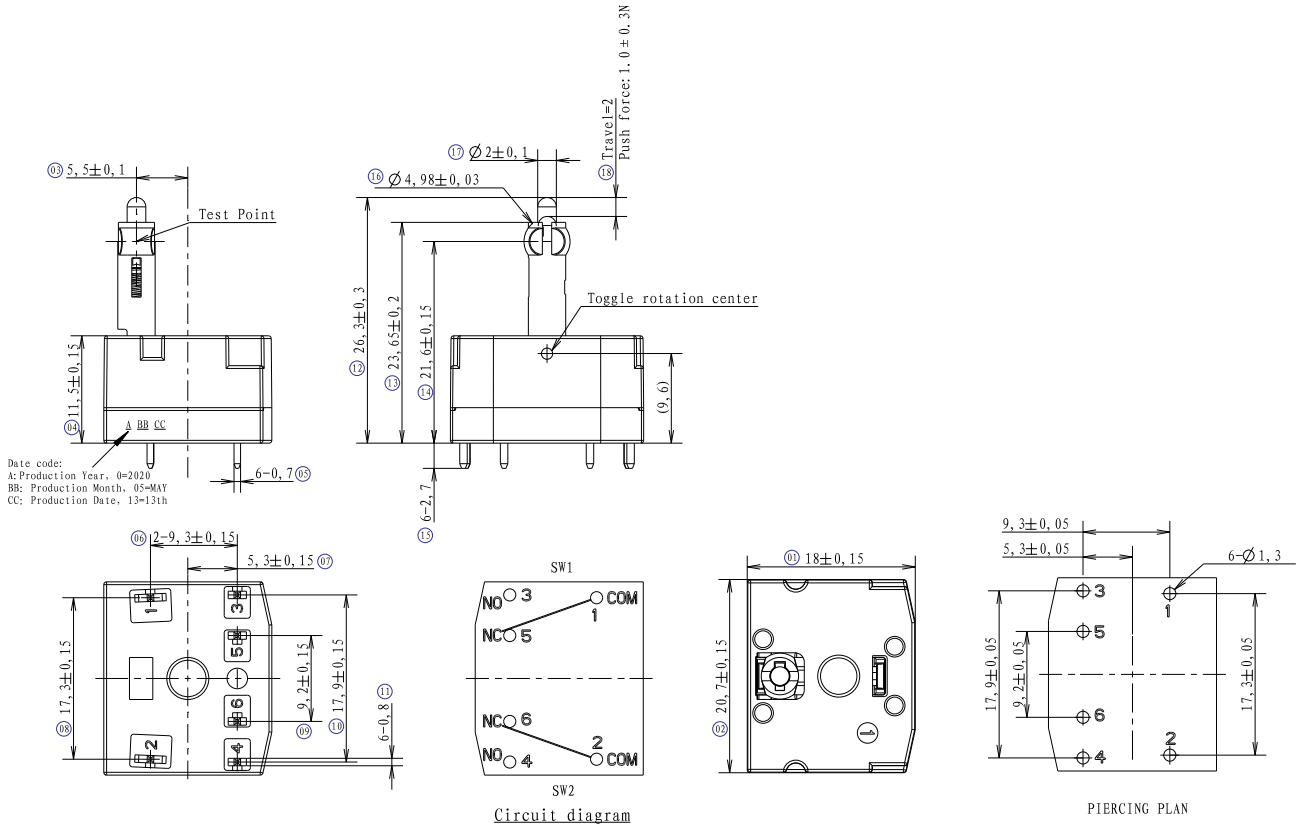
# SAMXD Series Dust Protected Seat Adjustment Switches

## SAMXDH2LR10



Navigation

## SAMXDH2LR10SP



First Angle Projection  
Dimensions are shown: mm  
Specifications and dimensions subject to change

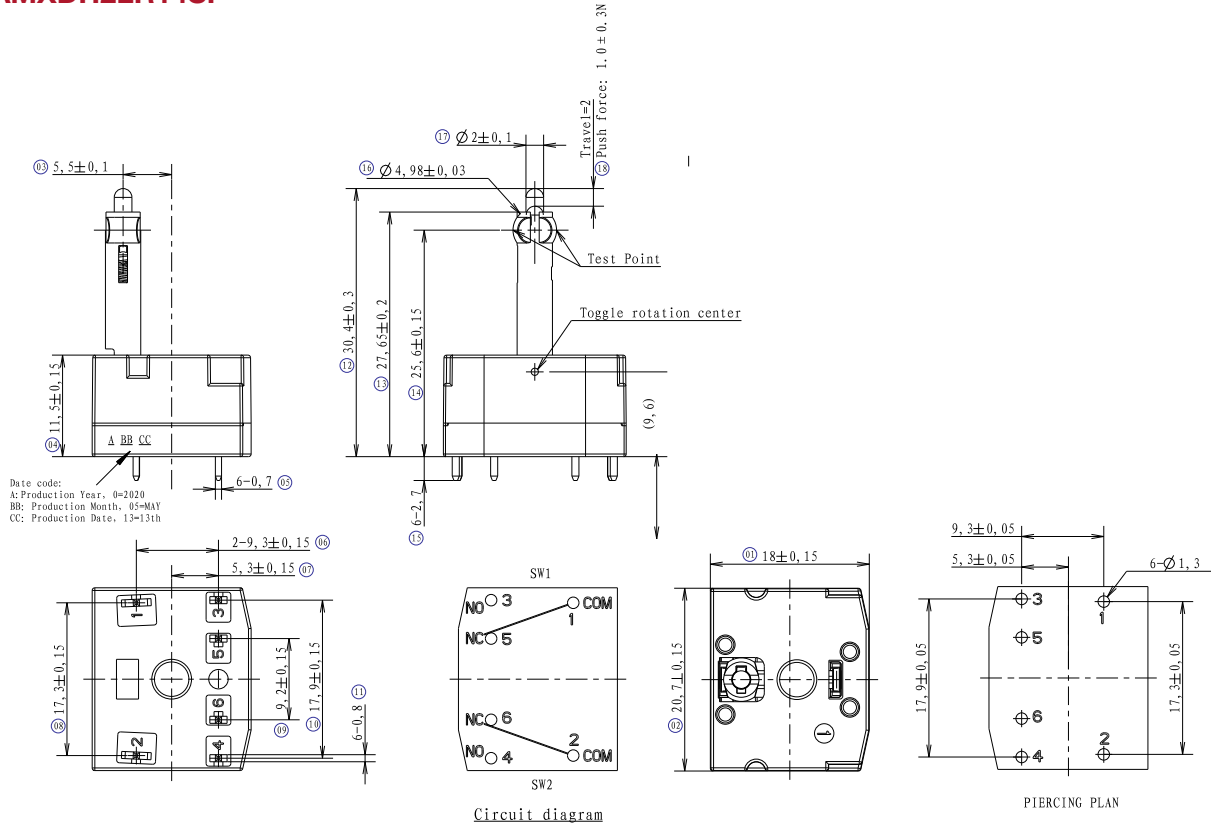


10 Jun 21

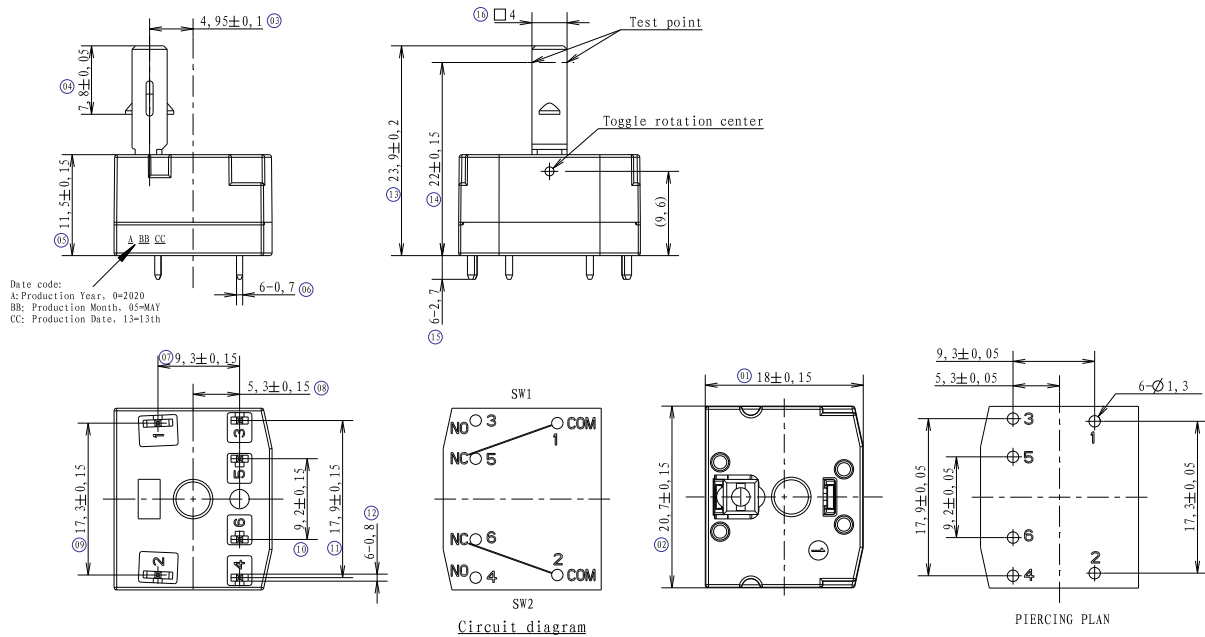
# SAMXD Series Dust Protected Seat Adjustment Switches

New

## SAMXDH2LR14SP



## SAMXDH2LS11



Dimensions are shown: mm  
Specifications and dimensions subject to change

www.ckswitches.com

10 Jun 21



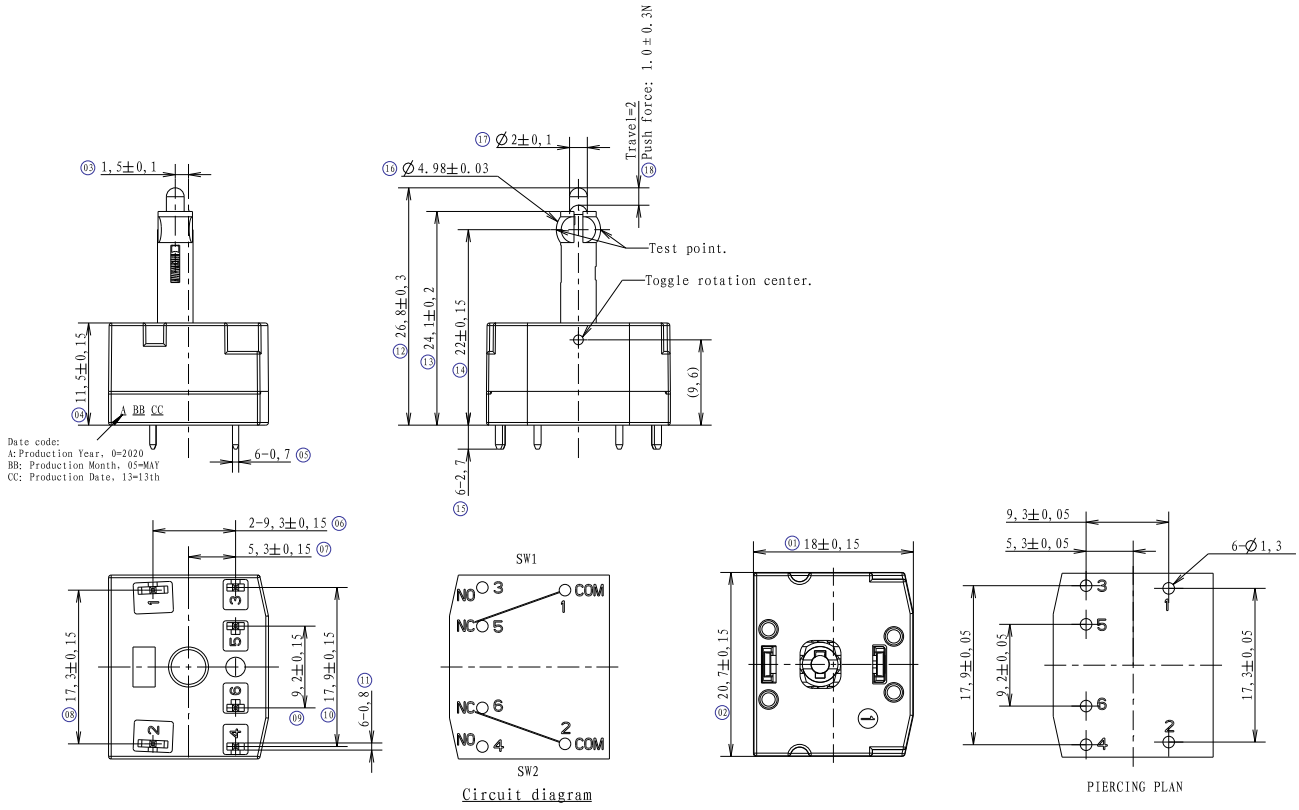
New

# SAMXD Series Dust Protected Seat Adjustment Switches

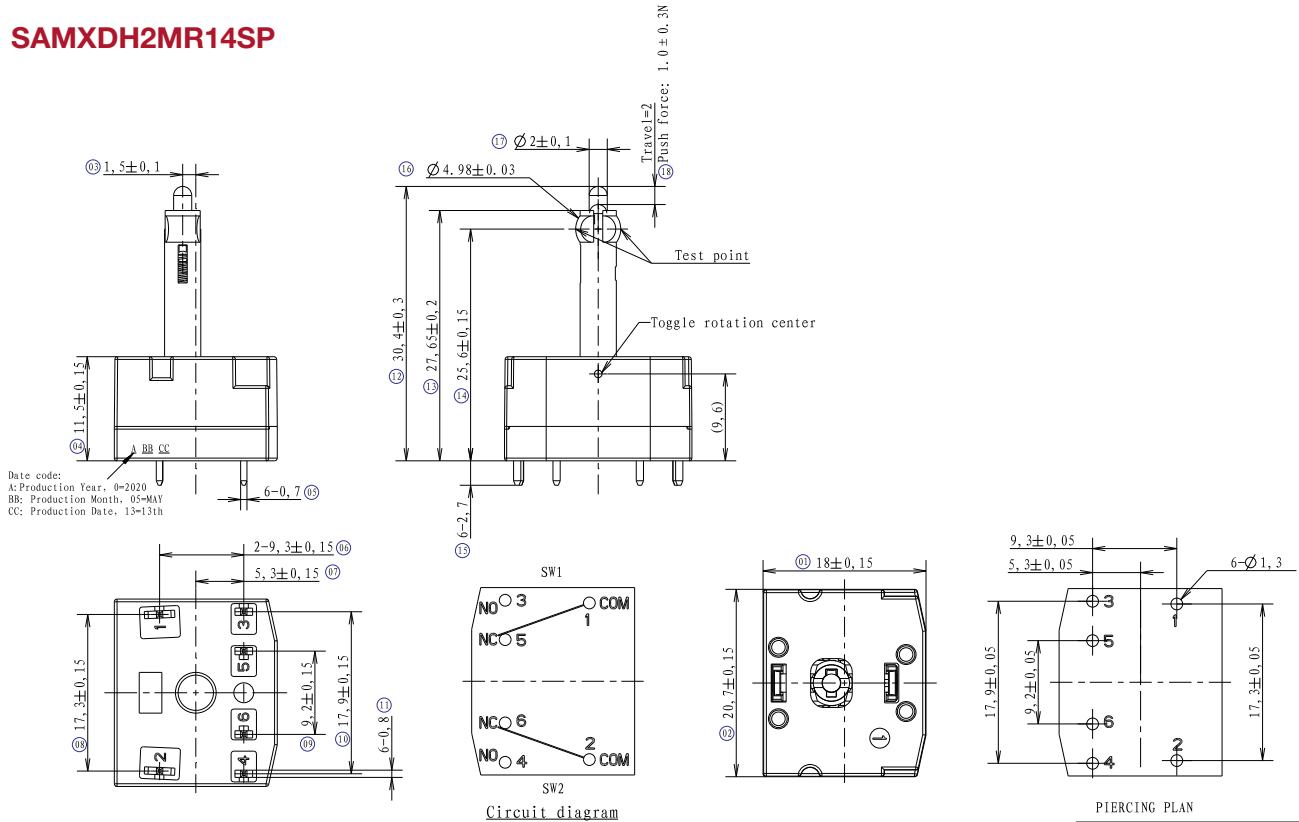


Navigation

## SAMXDH2MR10SP



## SAMXDH2MR14SP



First Angle Projection

Dimensions are shown: mm  
Specifications and dimensions subject to change

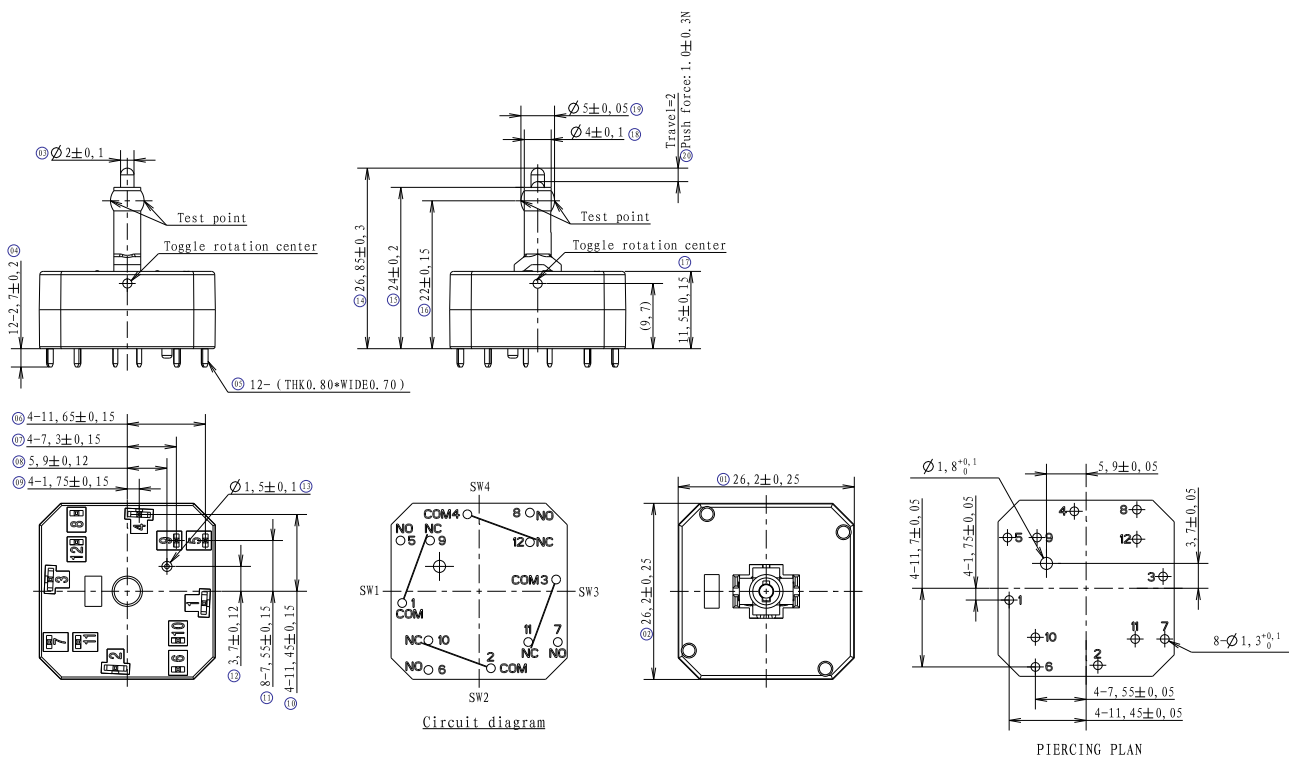


10 Jun 21

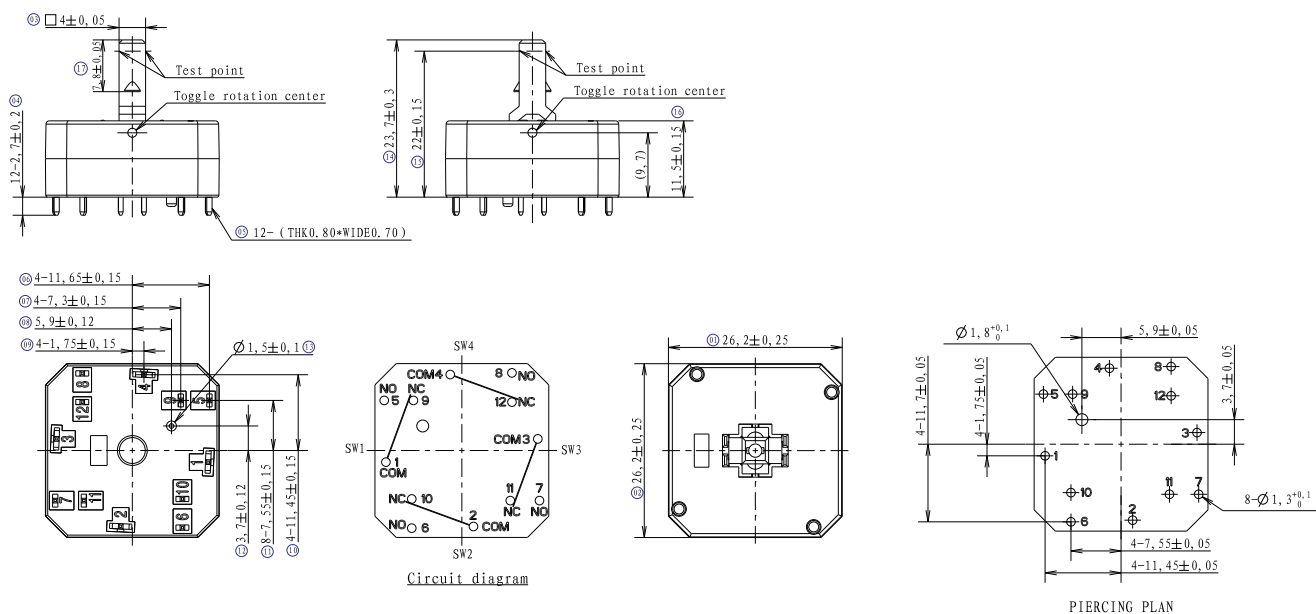
# SAMXD Series Dust Protected Seat Adjustment Switches

New

## SAMXDH4MR11SP



## SAMXDH4MS11



Dimensions are shown: mm  
Specifications and dimensions subject to change

www.ckswitches.com

10 Jun 21