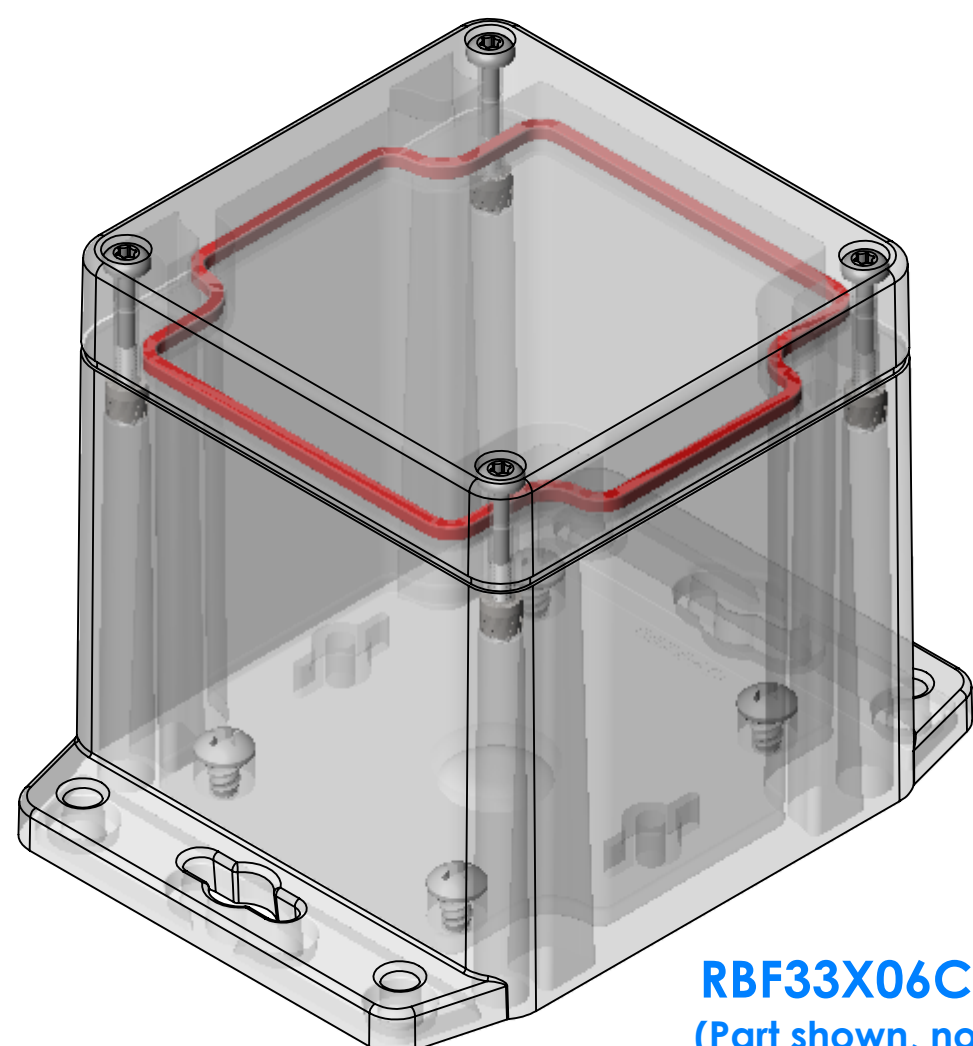
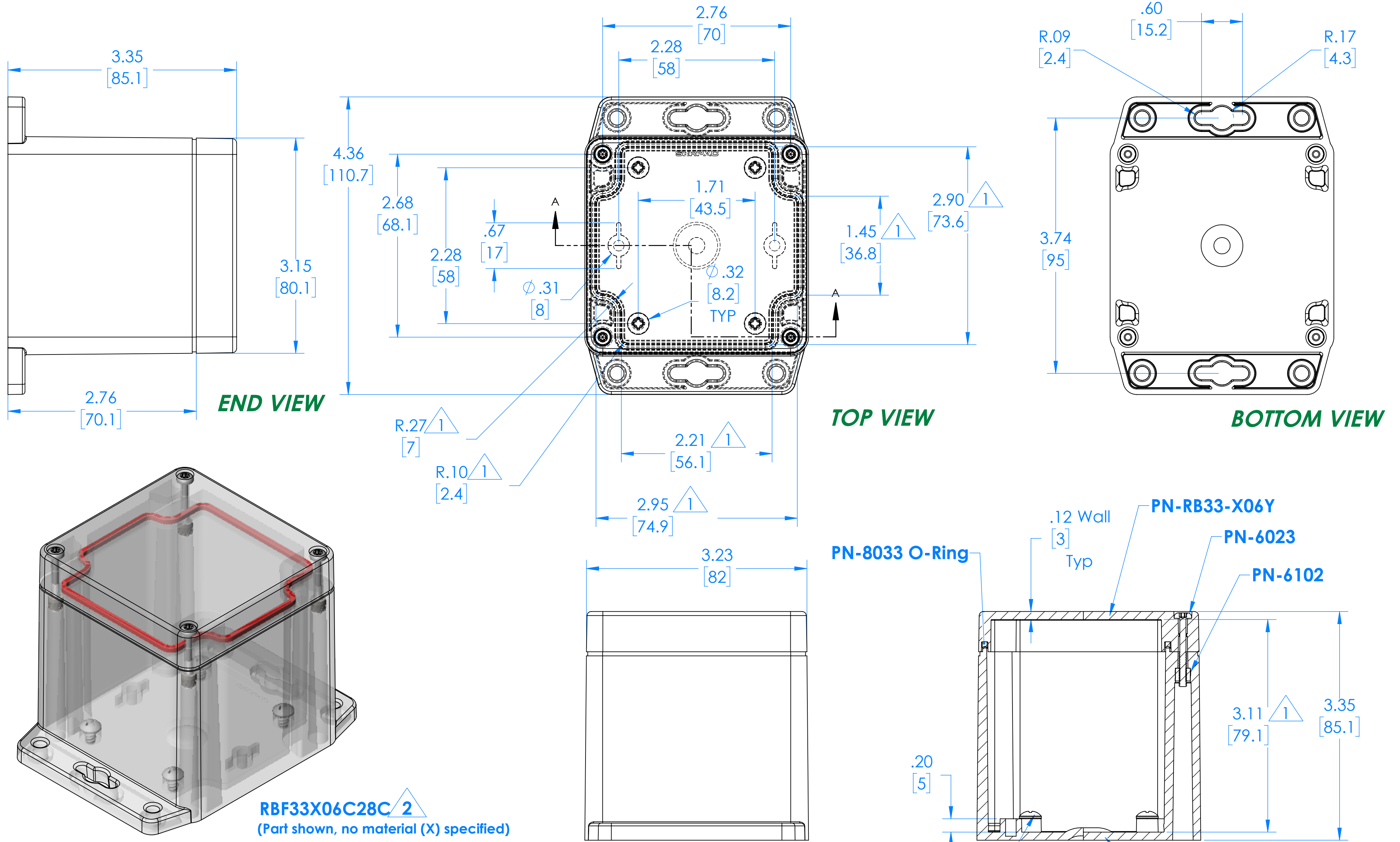


# SERPAC RBF33X06Y28Y

Electronic Enclosures

2

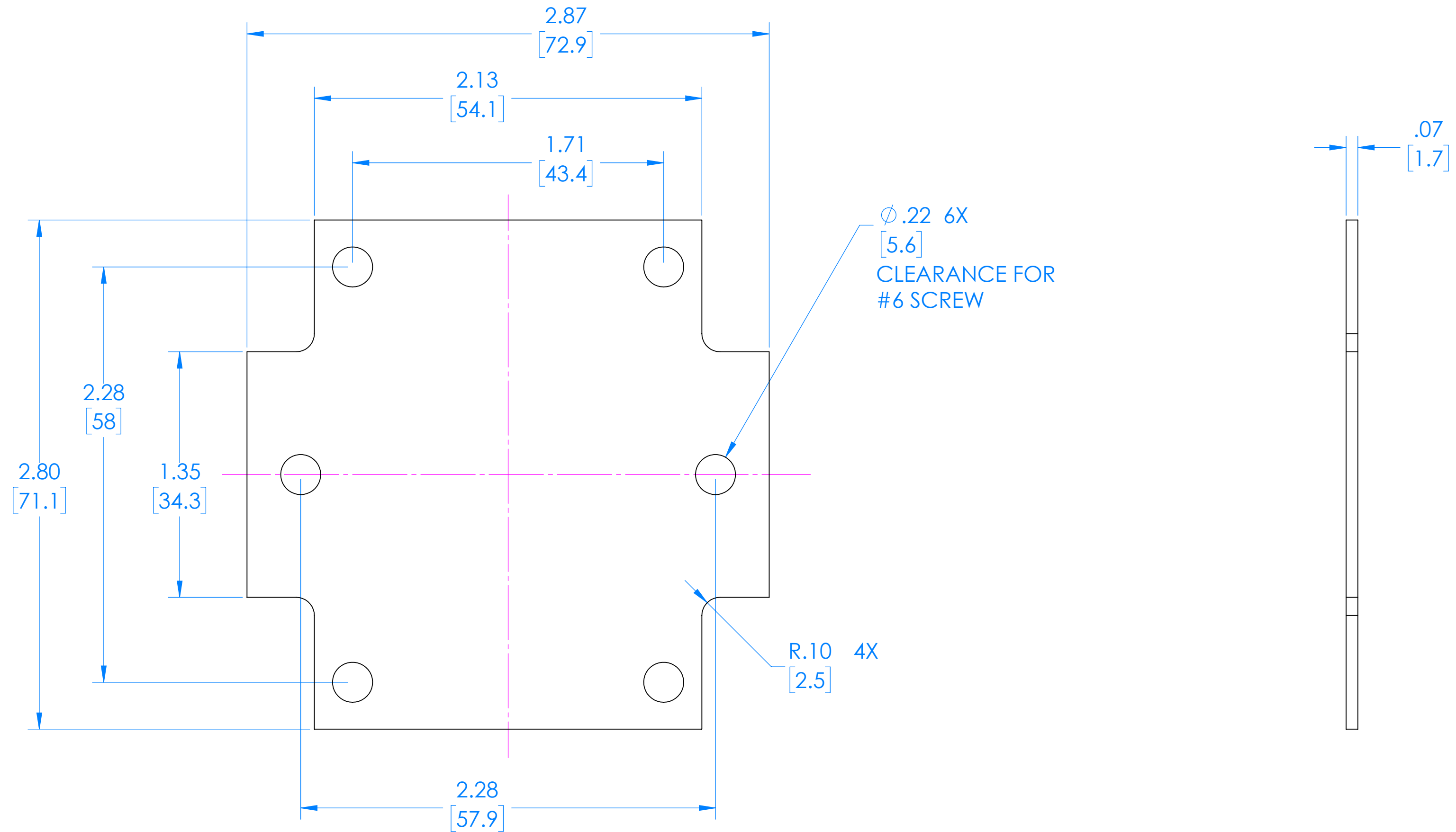


**RBF33X06C28C 2**  
(Part shown, no material (X) specified)

PN	Description
RB33-X06Y	(1) RB33-X06Y, Top
RBF33X28Y	(1) RBF33X28Y, Bottom
8033	(1) RB33 O-Ring
6023	(4) #4-40 Torx 10 Hd Screw
6022	(4) #10 High/Low Pan Hd x 1/4"
6102	(4) #4-40 Threaded Insert

1 = INTERIOR DIMENSIONS (@ BOTTOM)  
 2 = STANDARD COLORS (Y) ARE: BLACK (B), CLEAR (C) AND GRAY (G)  
 TOPS AND BOTTOMS ALL POSSIBLE COMBINATIONS AVAILABLE  
 STANDARD MATERIALS (X) IS: POLYCARBONATE (P)  
 DIMENSIONS in Inch [mm]  
 -Watertight enclosure meets or exceed Nema 4 and or IP67.

ALL DIMENSIONS ARE ± .010"  
 2009 Wright Ave., La Verne, Ca. 91750  
 Ph. (626) 331-0517 Fx. (626) 331-8584 serpac.com



(REFERENCE ONLY)