

T1/E1/CEPT/ISDN-PRI SMT TRANSFORMERS

Ruggedized

PulseR
Ruggedized Solutions



- Pick and Place Compatible
- Isolation Voltage: 1500 Vrms minimum
- Extended Temperature Range: -55°C to +125°C
- Tape and Reel packaging available
- Lead Finish: Sn63/Pb37
- Epoxy Encapsulated
- MSL: 3

Electrical Specifications @ 25°C — Operating Temperature -55°C to +125°C

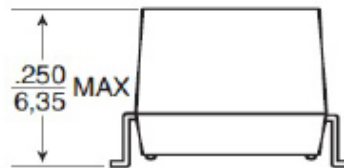
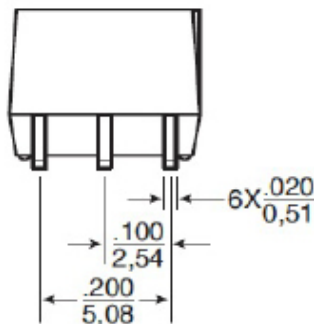
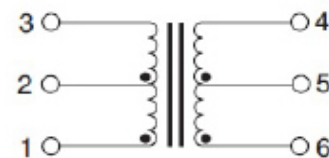
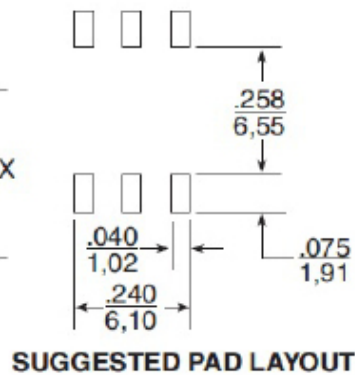
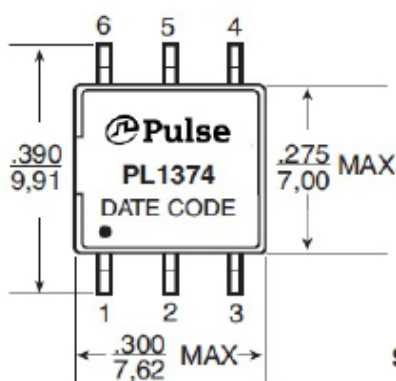
Part Number	Turns Ratio (Pri:Sec +2%)	OCL Pri @ 25°C (mH MIN)	C _{ww} (pF MAX)	DCR Pri (Ω MAX)	Primary Pins
PL1374	1CT: 1CT	1.2	35	0.8	1-3

Note: 1. Add suffix "NL" for RoHS compliant part; i.e. PL1374 becomes PL1374NL 2. Add Suffix "T" for Tape and Reel packaging

Mechanical

Schematic

PL1374

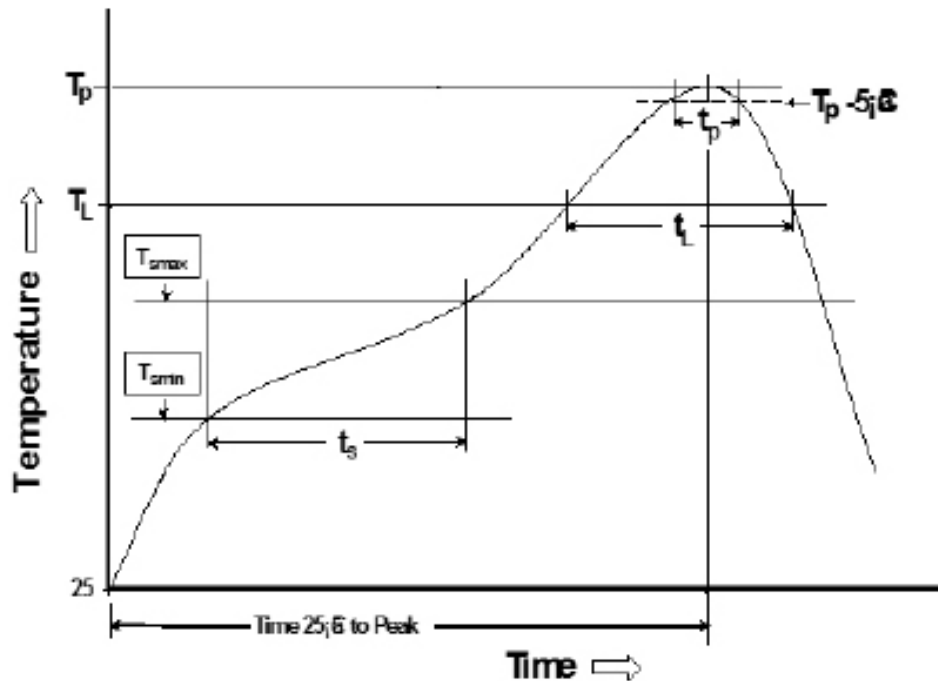


Weight0.6 grams
Tape & Reel500/reel
Tube70/tube
Dimensions: $\frac{\text{Inches}}{\text{mm}}$
Unless otherwise specified,
all tolerances are $\pm \frac{.010}{0.25}$

T1/E1/CEPT/ISDN-PRI SMT TRANSFORMERS

Ruggedized

Tin/Lead Recommended Reflow Profile (Based on J-STD-020D)



T_{SMIN} (°C)	T_{SMAX} (°C)	T_L (°C)	T_P (°C MAX)	t_s (s)	t_L (s)	t_p (s MAX)	Ramp-up rate (T_L to T_P)	Ramp-down rate (T_P to T_L)	Time 25°C to peak temperature (s MAX)
100	150	183	235	60-120	60-150	20	3°C/s MAX	6°C/s MAX	360

Notes:

1. All temperatures measured on the package leads.
2. Maximum times of reflow cycle: 2.

For More Information

Corporate Headquarters

PulseR, LLC

Two Pearl Buck Court

Bristol, PA 19007

U.S.A.

Tel: 215 781 6400

Fax: 215 781 6403

For Global Sales Representatives and Locations

Visit: <http://www.pulseruggedized.com>

Performance warranty of products offered on this data sheet is limited to the parameters specified. Data is subject to change without notice. Other brand and product names mentioned herein may be trademarks or registered trademarks of their respective owners. © Copyright, 2018. PulseR, LLC. All rights reserved.