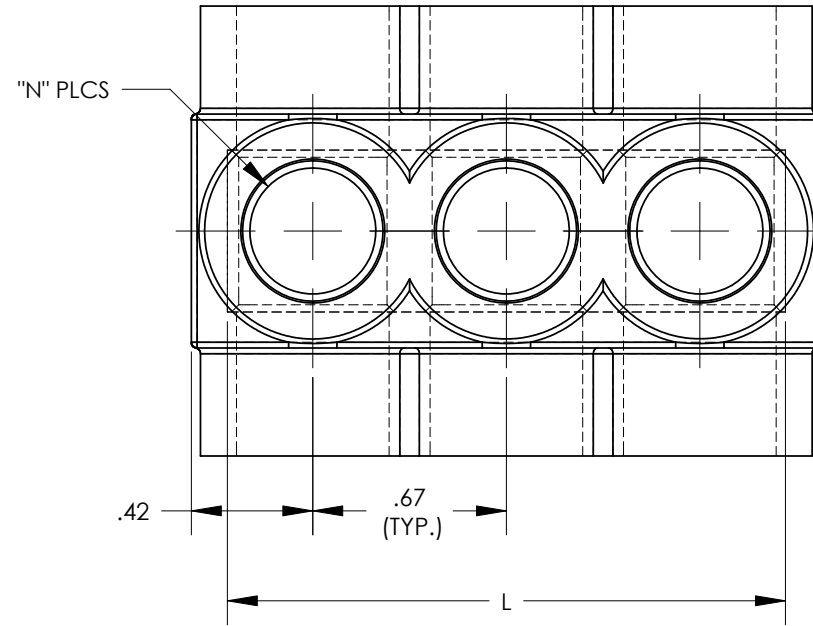
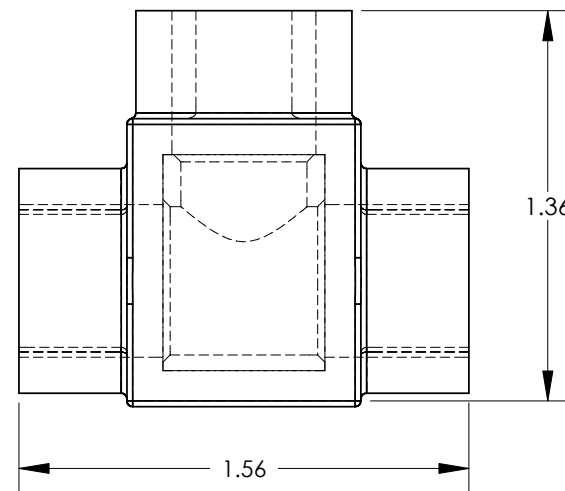
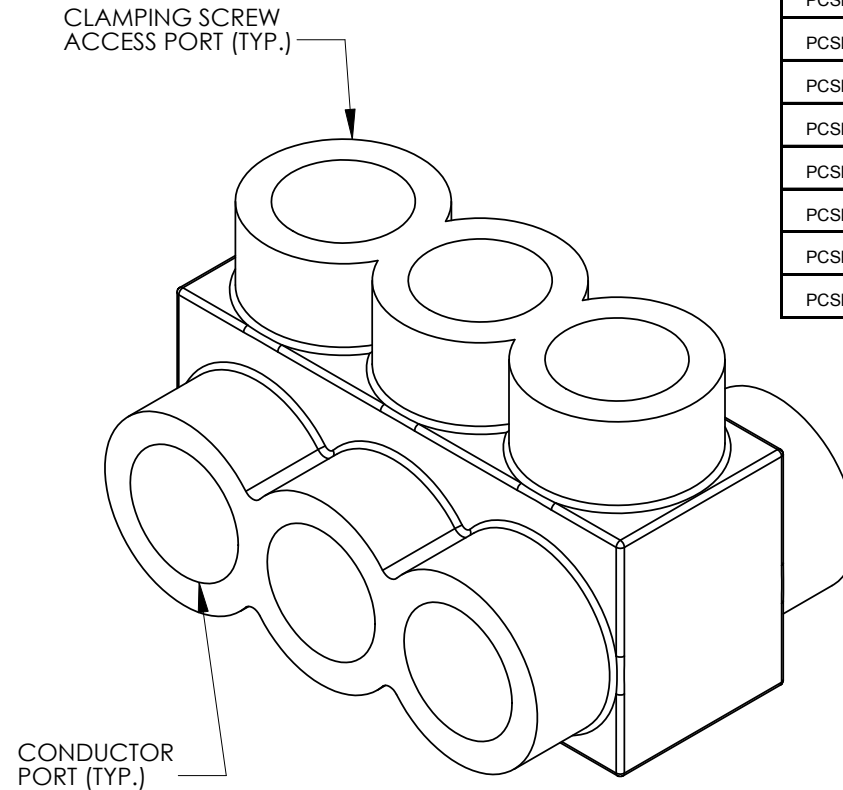
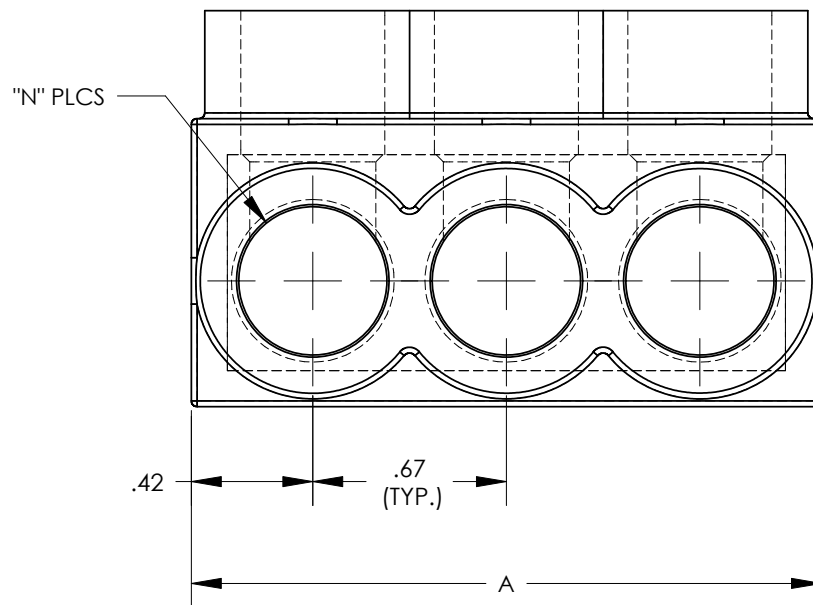


THIS COPY IS PROVIDED ON A RESTRICTED BASIS AND IS NOT TO BE USED IN ANY WAY DETRIMENTAL TO THE INTERESTS OF PANDUIT CORP.



THREE PORT CONNECTOR BLOCK SHOWN WITH PLASTIC CLOSURE PLUGS REMOVED. SEE TABLE FOR DIMENSIONS OF PARTS WITH ADDITIONAL PORTS



PANDUIT FINISHED GOODS P/N	CONDUCTOR RANGE	HEX KEY	SCREW QTY.	CAP (SCREW PORT) QTY.	CAP (WIRE PORT) QTY.	A	L	N	TIGHTENING TORQUE
PCSB250-2-6Y	250 kcmil - # 10 STR	5/16	2	2	4	2.03	1.781	2	275 In/lb
PCSB250-3-6Y		5/16	3	3	6	2.97	2.718	3	
PCSB250-4-6Y		5/16	4	4	8	3.91	3.656	4	
PCSB250-5-4Y		5/16	5	5	10	4.84	4.593	5	
PCSB250-6-4Y		5/16	6	6	12	5.78	5.531	6	
PCSB250-8-3Y		5/16	8	8	16	7.66	7.406	8	
PCSB250-10-2Y	250 kcmil - # 10 STR	5/16	10	10	20	9.53	9.281	10	
PCSB250-12-2Y		5/16	12	12	24	11.41	11.156	12	
PCSB250-14-1Y		5/16	14	14	28	13.28	13.031	14	



NOTES:

- UL486A-UL486B LISTED, DUAL RATED CU9AL FOR ALUMINUM OR COPPER CONDUCTORS. MEETS OR EXCEEDS ANSI C119.4
- SEE TABLE FOR WIRE RANGE.
- STRIP LENGTH: .88 +.06/-0
- FOR TIGHTENING TORQUE SEE TABLE
- VOLTAGE RATING: 600 V. MAX. BUILDING WIRE, 1000 V. MAX. IN SIGNS & FIXTURES.
- TEMPERATURE RATING: 90 °C (CU9AL).
- CONNECTOR BLOCK BODY ARE MADE FROM ALUMINUM. CONDUCTOR PORTS IN CONNECTOR BLOCK ARE PREFILLED WITH AN OXIDE-INHIBITING COMPOUND.
- CONNECTOR TO INCLUDE TIN PLATED ALUMINUM CLAMPING SCREWS FOR EACH CONDUCTOR PORT.
- INSULATION MATERIAL IS CLEAR PVC.
- CLAMPING SCREW ACCESS PORTS AND ALL WIRE ENTRY PORTS ARE PROVIDED WITH REMOVABLE PLASTIC CLOSURE PLUGS.
- ALL DIMENSIONS SHOWN ARE NOMINAL.
- ONLY ONE CONDUCTOR PER PORT ALLOWED.
- PACKAGE QTY: -12 = 12 PCS.
-6 = 6 PCS.
-4 = 4 PCS.
- THIS PART IS RoHS COMPLIANT.

							PANDUIT CORP. TINLEY PARK, ILLINOIS				
							MULTI-TAP INSULATED CONNECTORS PCSB250 SERIES				
							UNLESS OTHERWISE SPECIFIED DIMENSIONAL TOLERANCES ARE: (.X) ± (.XXX) ± (.XX) ± ANGLES ±		UNLESS OTHERWISE SPECIFIED, ALL DIMENSIONS ARE GIVEN IN INCHES, THIRD ANGLE PROJECTION		
04	2/11	JHNU	JHNU	ADDED CSA SYMBOL	N41571BB-C41571	FLD	FLD	DRAWN BY MS	SEE NOTE 1 ABOVE	SCALE 1.5:1	
03	11/09	JHNU	JHNU	REVISED NOTE 3: .88 WAS .56 ADDED HEX KEY SIZE TO TABLE				DATE 08/99		DRAWING NO / CAD FILE C41571_04	DWG B SIZE
REV	DATE	BY	CHK	DESCRIPTION	ECN	-R	SUP	CHK'D RLS			