

NITX-300-ET-DVI

Installation and Use

P/N: 6806800N97B

August 2014



© Copyright 2014 Artesyn Embedded Technologies, Inc.
All rights reserved.

Trademarks

Artesyn Embedded Technologies, Artesyn and the Artesyn Embedded Technologies logo are trademarks and service marks of Artesyn Embedded Technologies, Inc. © 2014 Artesyn Embedded Technologies, Inc. All other product or service names are the property of their respective owners.

Intel® is a trademark or registered trademark of Intel Corporation or its subsidiaries in the United States and other countries.

Java™ and all other Java-based marks are trademarks or registered trademarks of Oracle America, Inc. in the U.S. and other countries.

Microsoft®, Windows® and Windows Me® are registered trademarks of Microsoft Corporation; and Windows XP™ is a trademark of Microsoft Corporation.

PICMG®, CompactPCI®, AdvancedTCA™ and the PICMG, CompactPCI and AdvancedTCA logos are registered trademarks of the PCI Industrial Computer Manufacturers Group.

UNIX® is a registered trademark of The Open Group in the United States and other countries.

Notice

While reasonable efforts have been made to assure the accuracy of this document, Artesyn assumes no liability resulting from any omissions in this document, or from the use of the information obtained therein. Artesyn reserves the right to revise this document and to make changes from time to time in the content hereof without obligation of Artesyn to notify any person of such revision or changes.

Electronic versions of this material may be read online, downloaded for personal use, or referenced in another document as a URL to an Artesyn website. The text itself may not be published commercially in print or electronic form, edited, translated, or otherwise altered without the permission of Artesyn.

It is possible that this publication may contain reference to or information about Artesyn products (machines and programs), programming, or services that are not available in your country. Such references or information must not be construed to mean that Artesyn intends to announce such Artesyn products, programming, or services in your country.

Limited and Restricted Rights Legend

If the documentation contained herein is supplied, directly or indirectly, to the U.S. Government, the following notice shall apply unless otherwise agreed to in writing by Artesyn.

Use, duplication, or disclosure by the Government is subject to restrictions as set forth in subparagraph (b)(3) of the Rights in Technical Data clause at DFARS 252.227-7013 (Nov. 1995) and of the Rights in Noncommercial Computer Software and Documentation clause at DFARS 252.227-7014 (Jun. 1995).

Contact Address

Artesyn Embedded Technologies
Marketing Communications
2900 S. Diablo Way, Suite 190
Tempe, Arizona 85282

Artesyn Embedded Technologies
Lilienthalstr. 17-19
85579 Neubiberg/Munich
Germany

Contents

About this Manual	11
1 Introduction	15
1.1 Overview	15
1.2 Standard Compliances	17
1.3 Mechanical Data	18
1.3.1 NITX-300-ET-DVI Mechanical Data	18
1.4 Board Identification	19
1.5 Ordering Information	20
1.5.1 Board Variants	20
1.5.2 Board Accessories	20
2 Hardware Preparation and Installation	21
2.1 Environmental and Power Requirements	21
2.1.1 Environmental Requirements	21
2.1.2 Thermal Requirements	22
2.1.3 Power Requirements	23
2.2 Unpacking and Inspecting the Board	23
2.3 Preparing the Installation Environment	24
2.4 Board Thermal Management and Placement	25
2.5 eUSB Flash Disk Installation and Removal	28
2.6 SATA HDD and Slim Lite SSD (MO-297) Connection and Removal	29
3 Controls, LEDs, and Connectors	33
3.1 Board Layout	33
3.2 Connectors and Switches	35
3.2.1 LVDS Header (P28)	35
3.2.2 LVDS Backlight Header (P23)	35
3.2.3 LVDS Power Header (P5)	36
3.2.4 USB client header (P18)	36
3.2.5 USB Header (P6)	37
3.2.6 eUSB Header (P2)	37
3.2.7 Audio Header (P12)	38
3.2.8 CAN Bus Header (P15)	38

3.2.9	Full Wire RS232 Header (P7)	39
3.2.10	Two Wire RS232 Header (P14)	39
3.2.11	Battery Socket (XBT1)	40
3.2.12	Front Panel Header (P19)	40
3.2.13	GPIO Header (P4)	41
3.2.14	CPU FAN Header (P1)	42
3.2.15	SATA Power Header (P16)	42
3.2.16	J9 SATA Connector	42
3.3	Onboard LEDs	44
4	Functional Description	45
4.1	Block Diagram	45
4.2	Processor	46
4.3	System Memory	47
4.4	PCI-E Port	48
4.5	SATA	48
4.6	MicroSD	49
4.7	Ethernet Interfaces	49
4.8	USB Interface	50
4.9	USB Flash	51
4.10	RS-232	51
4.11	CAN bus	51
4.12	I2C Serial Interface and Devices	52
4.13	Video Interface	54
4.14	Audio Interface	54
4.15	BIOS Device	54
4.16	GPIO Configuration	54
4.17	Clock Distribution	57
5	BIOS	59
5.1	POST	59
5.2	Boot Process	59
5.3	Initiating Setup	59
5.4	Setup Utility	60

5.4.1	Main Menu	62
5.4.2	Advanced Menu	64
5.4.3	Chipset Menu.....	70
5.4.4	Boot Menu	72
5.4.5	Security Menu	74
5.4.6	Save and Exit Menu.....	75
5.5	POST Codes	76
5.5.1	Status Code Ranges	76
5.5.2	Standard Status Codes.....	77
5.5.2.1	SEC Status Codes	77
5.5.2.2	PEI Status Codes	78
5.5.2.3	PEI Beep Codes	81
5.5.2.4	DXE Status Codes	82
5.5.2.5	DXE Beep Codes	85
5.5.2.6	CPU Exception Status Codess	85
5.5.2.7	ASL Status Codes	86
5.5.2.8	OEM-reserved Status Code Ranges	87
5.6	Boot Order Support	87
5.7	Windows XP Installation	88
5.8	Graphic Driver	88
5.9	BIOS Update	88
6	Operating System and Driver Support	91
6.1	Supported Operating Systems	91
A	Replacing the Battery	93
A.1	Replacing the Battery	93
B	Related Documentation	95
B.1	Artesyn Embedded Technologies - Embedded Computing Documentation	95

Safety Notes	97
Sicherheitshinweise	101

List of Tables

Table 1-1	Key Features of the NITX-300-ET-DVI	15
Table 1-2	Board Standard Compliances	17
Table 1-3	Available Board Variants	20
Table 1-4	Available Board Accessories	20
Table 2-1	Environmental Requirements of NITX-300-ET-DVI	21
Table 2-2	Critical temperature Spots for NITX-300-ET-DVI	22
Table 2-3	NITX-300-ET-DVI Power Dissipation	23
Table 2-4	Onboard LED Definition	27
Table 3-1	LVDS Header Pin Definition (P28)	35
Table 3-2	LVDS Inverter Header Pin Definition	35
Table 3-3	LVDS Power Connector Pin Definition	36
Table 3-4	LVDS Power Jumper Pin Definition	36
Table 3-5	USB Client Header Pin Definition	36
Table 3-6	USB Header Pin Definition	37
Table 3-7	eUSB Pin Header Definition	37
Table 3-8	Audio Header Pin Definition	38
Table 3-9	CAN Bus Header Pin Definition	38
Table 3-10	Full Wire RS232 Header Pin Definition	39
Table 3-11	Two Wire RS232 Header	39
Table 3-12	Battery Header Pin Definition	40
Table 3-13	Front Panel Header Pin Definition	40
Table 3-14	GPIO Header Pin Definition	41
Table 3-15	CPU FAN Header Pin Definition	42
Table 3-16	SATA Power Header Pin Definition	42
Table 3-17	J9 SATA Pin Definition	42
Table 3-18	Onboard LEDs	44
Table 4-1	Tunnel Creek Processor Features	46
Table 4-2	I2C Device Address	53
Table 4-3	TNC GPIO Definition	54
Table 4-4	Topcliff GPIO Configuration	55
Table 4-5	Clock Assignments	57
Table 5-1	BIOS Primary Menu	60
Table 5-2	Aptio Navigation	61
Table 5-3	Main Menu Field Description	62
Table 5-4	Platform Information	63
Table 5-5	Advanced Menu Field Description	64

Table 5-6	ACPI Settings	65
Table 5-7	CPU Configuration	65
Table 5-8	Watchdog Timer Configuration	66
Table 5-9	SDIO Configuration	66
Table 5-10	USB Configuration	66
Table 5-11	LM80 H/W Monitor	67
Table 5-12	EMC2103 H/W Monitor	67
Table 5-13	Serial Port Console Redirection	68
Table 5-14	COM0 Console Redirection Settings	69
Table 5-15	Chipset Menu Field Descriptions	70
Table 5-16	North Bridge Chipset Configuration	70
Table 5-17	Boot Display Configuration	71
Table 5-18	IOH Configuration	71
Table 5-19	Wake On Lan Configuration	72
Table 5-20	Boot Menu Field Description	73
Table 5-21	Security Menu Field Description	74
Table 5-22	Save and Exit Menu Field Description	75
Table 5-23	Status Code Ranges	76
Table 5-24	SEC Status Codes	77
Table 5-25	PEI Status Codes	78
Table 5-26	PEI Beep Codes	81
Table 5-27	DXE Status Codes	82
Table 5-28	DXE Beep Codes	85
Table 5-29	CPU Exception Status Codes	85
Table 5-30	ASL Status Codes	86
Table 5-31	OEM-reserved Status Code Ranges	87
Table B-1	Artesyn Embedded Technologies - Embedded Computing Publications	95

List of Figures

Figure 1-1	NITX-300-ET-DVI Mechanical Data (Top View)	18
Figure 1-2	NITX-300-ET-DVI Mechanical Data (Side View)	19
Figure 1-3	Serial Number Location	19
Figure 2-1	Board Thermal Management Diagram	26
Figure 2-2	eUSB Flash Disk Installation and Removal	28
Figure 2-3	J9 22-pin SATA connector	29
Figure 2-4	Serial ATA HDD	30
Figure 2-5	Slim Lite SSD (MO-297)	31
Figure 3-1	NITX-300-ET-DVI Module Components	33
Figure 3-2	NITX-300-ET-DVI Module Components (Rear View)	34
Figure 4-1	Block Diagram for NITX-300-ET-DVI	45
Figure 4-2	PCI-E Connection Diagram	48
Figure 4-3	SDIO Link Connection Diagram	49
Figure 4-4	USB ports connections diagram	50
Figure 4-5	USB Flash Connector Pin Definition	51
Figure 4-6	Board I2C Device Connection Diagram	53
Figure 4-7	Clock Distribution of NITX-300-ET-DVI	57
Figure 5-1	Main Menu	62
Figure 5-2	Advanced Menu	64
Figure 5-3	Chipset Menu	70
Figure 5-4	Boot Menu	72
Figure 5-5	Security Menu	74
Figure 5-6	Save and Exit Menu	75
Figure A-1	Battery Location	93

About this Manual

Overview of Contents

This manual is divided into the following chapters and appendices.

- *Introduction* gives an overview of the features of the product, standard compliances, mechanical data, and ordering information.
- *Hardware Preparation and Installation* outlines the installation requirements, hardware accessories, switch settings, and installation procedures.
- *Controls, LEDs, and Connectors* describes external interfaces of the board. This include connectors and LEDs.
- *Functional Description* includes a block diagram and functional description of major components of the product.
- *Replacing the Battery* contains the procedures for replacing the battery.
- *Related Documentation* provides a listing of related product documentation, manufacturer's documents, and industry standard specifications.
- *Safety Notes* summarizes the safety instructions in the manual.
- *Sicherheitshinweise* is a German translation of the Safety Notes chapter.

Abbreviations

This document uses the following abbreviations:

TERM	MEANING
A	Amps
AC '97	Audio CODEC (Coder-Decoder)
AHCI	Advanced Host Controller Interface
ACPI	Advanced Configuration Power Interface - software standard to implement power saving modes in PC-AT systems
BDS	Boot Device Selection
CAN	Controller Area Network
DAR	Disabled Automatic Retransmission







TERM	MEANING
DXE	Driver eXecution Environment
EEPROM	Electrically Erasable Programmable Read-Only Memory
FCBGA	Flip Chip Ball Grid Array
GPI	General Purpose Input
GPIO	General Purpose Input Output
GPO	General Purpose Output
HDA	High Definition Audio
I2C	Inter Integrated Circuit - 2 wire (clock and data) signaling scheme allowing communication between integrated circuits, primarily used to read and load registers values.
IDE	Integrated Device Electronics - parallel interface for hard disk drives - also known as PATA
IOH	IO Hub
LPC	Low Pin-Count Interface: a low speed interface used for peripheral circuits such as Super I/O controllers, which typically combine legacy-device support into a single IC.
LVDS	Low Voltage Differential Signaling - widely used as a physical interface for TFT flat panels. LVDS can be used for many high-speed signaling applications. In this document, it refers only to TFT flat-panel applications.
MSR	Model Specific Registers
PCI	Peripheral Component Interface
PCI-E	Peripheral Component Interface Express - next-generation high speed Serialized I/O bus
PEI	Pre-EFI Initialization
PHY	Ethernet controller physical layer device
Pin-out Type	A reference to one of five COM Express™ definitions for what signals appear on the COM Express™ module connector pins.
RGMI	Reduced Gigabit Media Independent Interface
SM	System Management
SPD	Serial Presence Detect - refers to serial EEPROM on DRAMs that has DRAM module configuration information

TERM	MEANING
SPI	Serial Peripheral Interface
SATA	Serial AT Attachment: serial-interface standard for hard disks
SDVO	Serialized Digital Video Output - Intel defined format for digital video output that can
TPM	Trusted Platform Module
VGA	Video Graphics Adapter
WDT	Watch Dog Timer

Conventions

The following table describes the conventions used throughout this manual.

Notation	Description
0x00000000	Typical notation for hexadecimal numbers (digits are 0 through F), for example used for addresses and offsets
0b0000	Same for binary numbers (digits are 0 and 1)
bold	Used to emphasize a word
Screen	Used for on-screen output and code related elements or commands in body text
Courier + Bold	Used to characterize user input and to separate it from system output
<i>Reference</i>	Used for references and for table and figure descriptions
File > Exit	Notation for selecting a submenu
<text>	Notation for variables and keys
[text]	Notation for software buttons to click on the screen and parameter description
...	Repeated item for example node 1, node 2, ..., node 12

Notation	Description
. . .	Omission of information from example/command that is not necessary at the time being
..	Ranges, for example: 0..4 means one of the integers 0,1,2,3, and 4 (used in registers)
	Logical OR
  XX XX XX	Indicates a hazardous situation which, if not avoided, could result in death or serious injury
  XX XX XX	Indicates a hazardous situation which, if not avoided, may result in minor or moderate injury
 XX XX XX	Indicates a property damage message
 XX XX	No danger encountered. Pay attention to important information

Summary of Changes

This manual has been revised and replaces all prior editions.

Part Number	Publication Date	Description
6806800N97A	February 2012	Initial release
6806800N97B	August 2014	Re-branded to Artesyn template.

Introduction

1.1 Overview

NITX-300-ET-DVI is a highly integrated small form factor Nano-ITX board based on the Queensbay platform, including the Tunnel Creek processor and Topcliff IOH. The NITX-300-ET-DVI incorporates the standard processor, memory, graphics and I/O functionality, as is common to a small form factor PC motherboard. The NITX-300-ET-DVI operates with or without a local display. Standard PC expansion ports are also available on the rear panel along with additional USB ports, SATA and Low Voltage Differential Signaling (LVDS) via headers on the board as well as a single PCI Express expansion slot. As the NITX-300-ET-DVI is based on the latest Intel Queensbay platform, it has a long product life cycle, lower power consumption and suitable for fanless applications. NITX-300-ET-DVI performs well within extended temperature ranges for more rugged commercial applications. NITX-300-ET-DVI is designed to meet -40 °C to -85 °C ambient temperature requirement.

Table 1-1 Key Features of the NITX-300-ET-DVI

Function	Features
Processor	<ul style="list-style-type: none"> ● Intel Tunnel Creek processor E620T 0.6GHz ● Single channel memory controller supporting DDR2 800 MT/s memory down ● Both LVDS up to 1280x768 @ 60Hz and Serialized Digital Video Output (SDVO) output up to 1280x1024 @ 85Hz output support ● Four x1 lane PCI Express (PCI-E) root ports supporting the PCI Express Base Specification, Revision 1.0a ● Implements an Low Pin-Count (LPC) interface as described in the LPC1.1 specification ● SMBus host controller based on Version 1.0 support ● Serial Peripheral Interface (SPI) ● Integrated Watch Dog Timer (WDT)
IO Hub (IOH)	<ul style="list-style-type: none"> ● Intel Topcliff IOH
BIOS Device	<ul style="list-style-type: none"> ● One 4MB SPI boot device
Memory	<ul style="list-style-type: none"> ● Supports 512MB 32-bit DDR2 800 MHz non-ECC memory down on NITX-300-ET-DVI
eUSB flash	<ul style="list-style-type: none"> ● An optional eUSB flash on one 2x5 header on board
PCI-E	<ul style="list-style-type: none"> ● One PCI-E x1 slot ● One mini PCI-E socket

Table 1-1 Key Features of the NITX-300-ET-DVI (continued)

Function	Features
SATA	<ul style="list-style-type: none"> ● One internal SATA connector (7-pin) ● One standard 22 (15power+7signal) pins SATA connector for JEDEC MOS-297A internal slim lite SDD application
MicroSD Card	<ul style="list-style-type: none"> ● One Micro SD card slot
USB	<ul style="list-style-type: none"> ● Two Hi-Speed USB 2.0 interfaces to USB 2.0 Type A connectors accessible in the back-panel I/O region ● Four Hi-Speed USB 2.0 interfaces to two 9-pin dual-USB headers, one is optionally connecting mini PCI-E slot ● One USB client port on an internal header
Ethernet	<ul style="list-style-type: none"> ● Supports 10/100/1000 Ethernet based on Marvell 88E1111
RS232	<ul style="list-style-type: none"> ● One full signal (8-wire) COM through RS-232 transceiver to header ● Three UART (2-wire) through RS-232 transceiver to one internal header
Controller Area Network (CAN) bus	<ul style="list-style-type: none"> ● One set of CAN bus on one 4-pin internal header
Video	<ul style="list-style-type: none"> ● One single-channel LVDS 20-pin header ● One DVI port derived from the SDVO port
Audio	<ul style="list-style-type: none"> ● One High Definition Audio (HDA) codec with one Line-in, one Line-out port
Watchdog	<ul style="list-style-type: none"> ● One integrated watchdog with sepectable options from approximately 1 minute to 10 minutes
Form factor	<ul style="list-style-type: none"> ● Nano-ITX , 120 mm X 120 mm form factor
OS	<ul style="list-style-type: none"> ● Supports Microsoft Windows XP Professional ● Supports Windows Embedded Standard 7 ● Supports Windows Embedded Standard 2009 ● Supports Timesys Fedora 14
Temperature	<ul style="list-style-type: none"> ● -40 °C to +85 °C

1.2 Standard Compliances

This product is designed to meet the following standards.

Table 1-2 Board Standard Compliances

Standard	Description
EMC Compliance Standards	FCC 47 CFR Part 15 Subpart B (US) Class B; AS/NZS CISPR 22 Class B (Australia/New Zealand); VCCI Class B (Japan); EN55022 Class B (EU); EN55024.
Safety Standards	UL/CSA No. 60950-1; IEC 60950-1 CB Scheme; EN 60950-1; AS/NZS-60950-1.

1.3 Mechanical Data

1.3.1 NITX-300-ET-DVI Mechanical Data

Figure 1-1 NITX-300-ET-DVI Mechanical Data (Top View)

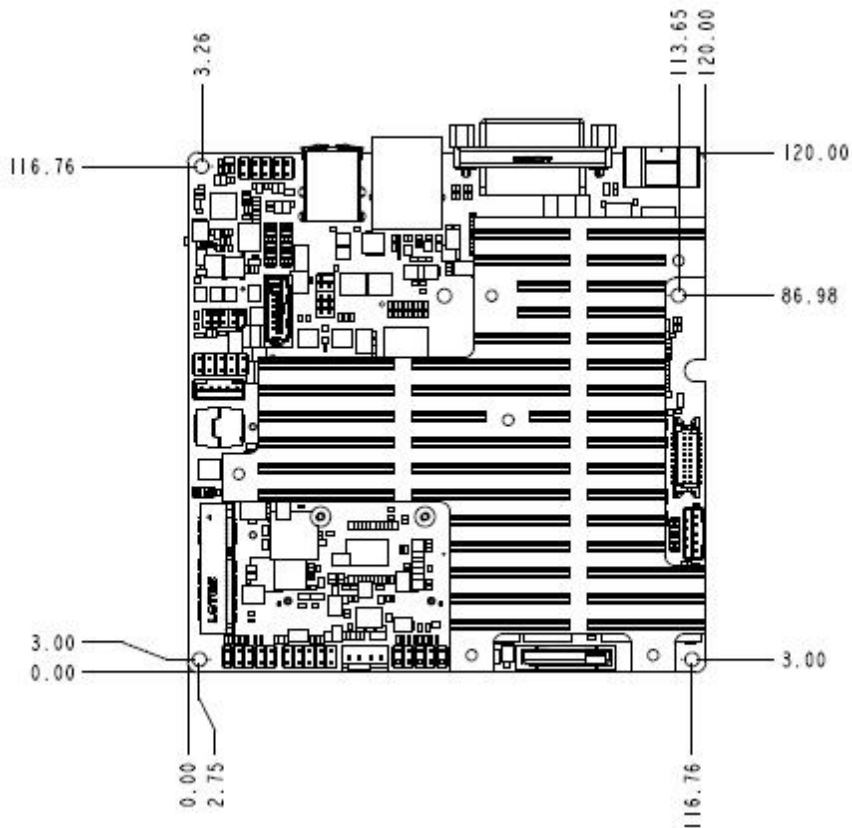
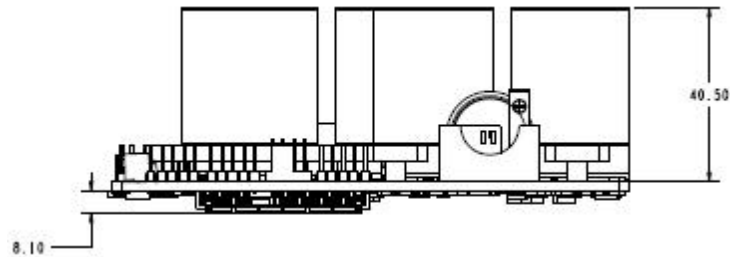


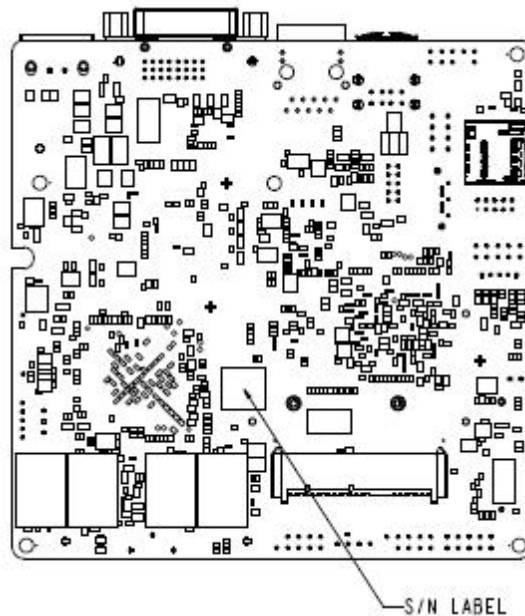
Figure 1-2 NITX-300-ET-DVI Mechanical Data (Side View)



1.4 Board Identification

This section shows the serial number and its location on the board.

Figure 1-3 Serial Number Location



1.5 Ordering Information

Use the order numbers below when ordering board variants or board accessories.

1.5.1 Board Variants

The following table lists the product variants that are available upon release of this publication.

Table 1-3 Available Board Variants

Part Number	Description
NITX-300-ET-DVI	Nano-ITX motherboard with 600MHz E620T, 512MB, DVI, Extended temperature.

1.5.2 Board Accessories

The following table lists the board accessories that are available upon release of this publication.

Table 1-4 Available Board Accessories

Order Number	Description
KR8-PS01	DC POWER ADAPTER 60W
	9-pin serial cable

Hardware Preparation and Installation

2.1 Environmental and Power Requirements

2.1.1 Environmental Requirements

The following tables list the environmental requirements that NITX-300-ET-DVI board must meet when operated in your particular system configuration.



Operating temperatures refer to the temperature of the air circulating around the board and not to the component temperature.

NOTICE

Product Damage

High humidity and condensation on surfaces cause short circuits.

Do not operate the system outside the specified environmental limits. Make sure the product is completely dry and there is no moisture on any surface before applying power.

Table 2-1 Environmental Requirements of NITX-300-ET-DVI

Requirement	Operating	Non-Operating
Cooling Method	Fanless	
Temp Cycle Class	-40-+85C:500cyc	
Temperature	-40 °C to +85 °C	-40 °C to +85 °C
Humidity	10-90% (non-condensing)	
Vibration	.01 g ² /Hz @ 5-500Hz	
Shock	20g 11ms sine or saw	
Altitude	-60 - 4000 m ASL	

2.1.2 Thermal Requirements

Table 2-2 Critical temperature Spots for NITX-300-ET-DVI

Component Identifier	Heat Dissipation Power (W)	Maximum Allowable Temperature (°C)
CPU: Atom E620T	2.7	110 (Tj)
IOH: EG20T	1.55	115.7 (Tj)
Memory SDRAM 512MB	0.8	105 (Tc)

Contact your Artesyn sales representative for current information on the detailed thermal information including airflow and resistance of the board.

NOTICE

System Overheating

Cooling Vents

Improper cooling can lead to system damage and can void the manufacturer's warranty.

To ensure proper cooling and undisturbed airflow through the system do not obstruct the ventilation openings of the system. Make sure that the fresh air supply is not mixed with hot exhaust from other devices.



CAUTION

Personal Injury

During operation, hot surfaces may be present on the heat sinks and the components of the product.

To prevent injury from hot surface do not touch any of the exposed components or heatsinks on the product when handling. Use the handle and face plate, where applicable, or the board edge when removing the product from the enclosure.

2.1.3 Power Requirements

The following table describes the power dissipation of the NITX-300-ET-DVI board.

Table 2-3 NITX-300-ET-DVI Power Dissipation

State	+12 V	VCC_RTC	Power consumption (w)
G3 (AC off)	0	26.8 μ A	
Idle (CMOS Setup)	0.8A	0	9.6w
Idle (Window XP SP3 X32)	0.78~0.87A	0	9.36w~10.44w
Full Loading (PTU+Burn In Test)	0.9~0.96A	0	10.8w~11.52w
s5	0.038A (unplug ethernet) 0.155 A (plug ethernet)	0	0.456w (unplug ethernet) 1.86w (plug ethernet)

2.2 Unpacking and Inspecting the Board

Read all notices and cautions prior to unpacking the product.

NOTICE

Damage of Circuits

Electrostatic discharge and incorrect installation and removal can damage circuits or shorten their life.

Before touching the board or electronic components, make sure that you are working in an ESD-safe environment.

Shipment Inspection

1. Verify that you have received all items of your shipment.
2. Check for damage and report any damage or differences to customer service.
3. Remove the desiccant bag shipped together with the board and dispose of it according to your country's legislation.

NOTICE

Environmental Damage

Improperly disposing of used products may harm the environment.

Always dispose of used products according to your country's legislation and manufacturer's instructions.



The product is thoroughly inspected before shipment. If any damage occurred during transportation or any items are missing, contact customer service immediately.

2.3 Preparing the Installation Environment

Before you install or replace components, pay attention to the following:

- Wear an ESD-preventive wrist strap to prevent the static electricity from damaging the device.
- Keep the area where the components reside clean and keep the components away from heat-generating devices, such as radiator.
- Ensure that your sleeves are tightened or rolled up above the elbow. For safety purposes, it is not recommended to wear jewelry, watch, glasses with metal frame, or clothes with metal buttons.
- Do not exert too much force, or insert or remove the components forcibly. Avoid damage to the components or plug-ins.

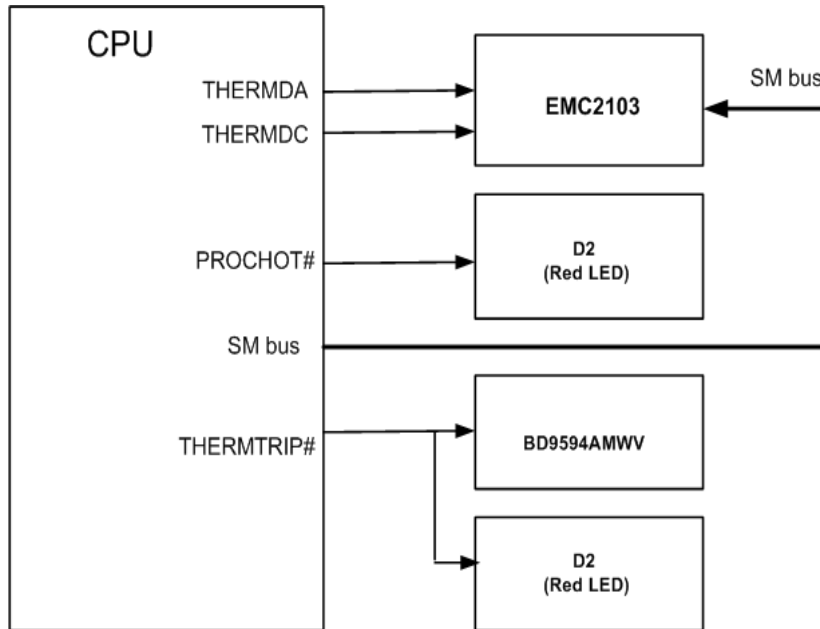
- Confirm the feasibility of the operation
There are available spare parts of the components to be installed or replaced in the equipment warehouse. When the available spare parts are lacking, contact Artesyn Embedded Technologies for help in time. For details on how to get help from Artesyn Embedded Technologies visit <https://www.artesyn.com/computing>.
Make sure that the new components are in good condition, without defects such as oxidation, chemical corrosion, missing components, or transportation damage.
By reading this document, you are familiar with how to install and replace the component and master the skills required by the operation.
- Check the environment
Make sure that the power supply, temperature, and humidity meet the operating requirements for the board and its components. For details, refer to the respective system documentation.
- Prepare the parts and the tools
Prepare the components to be installed or replaced.
When you hold or transport the components, use the special antistatic package. Prepare the cross screwdriver, screws, plastic supports, cooling gel, and ESD-preventive wrist strap.
- Confirm installation or changing position
Confirm the position where NITX-300-ET-DVI will be installed.
- If a serious problem occurs and cannot be solved when you install or replace the component, contact Artesyn Embedded Technologies for technical support.

2.4 Board Thermal Management and Placement

NITX-300-ET-DVI provides a thermal management strategy. This includes CPU junction temperature monitoring, one on-board fan connector, and can take the corresponding action to protect the system during catastrophic overheating.

The following diagram shows thermal management strategy:

Figure 2-1 Board Thermal Management Diagram



A PNP thermal transistor is integrated in Tunnel Creek; it is used as a diode and it connects to an external digital thermal sensor (EMC2103). The CPU can get the data of junction temperature through the System Management (SM) bus. Note that this is an inaccurate value and the temperature offset must be taken into account through the reading of the CPU's Model Specific Registers (MSR).

Intel Thermal Monitor: The Intel thermal monitor controls processor temperature by modulating (starting and stopping) the processor core clocks when the processor silicon reaches its maximum operating temperature. Signal "PROCHOT #" is used in this mode, when the processor temperature goes up to 110 °C, the PROCHOT# is output and active, it indicates that the processor thermal control circuit is activated. A red LED D2 can show the "processor hot" status.

When the CPU junction temperature is more than 125 °C, CPU will assert the THERMTRIP#, and the onboard logic will shut down the system power, the LED D8 shows this status.

Table 2-4 Onboard LED Definition

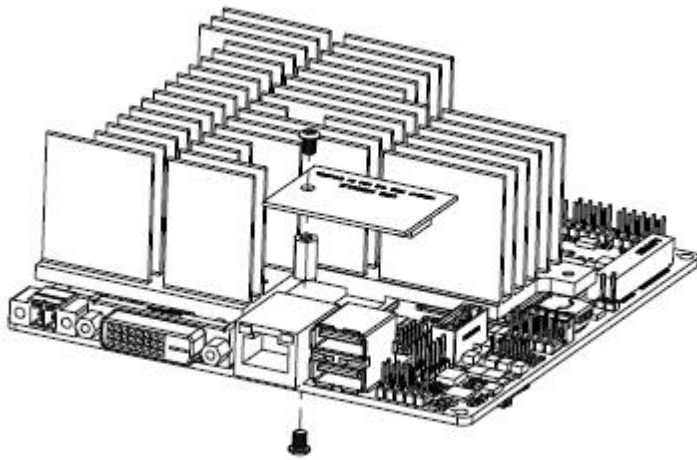
LED	Definition	Status	Description
D2	'PROCHOT' signal is active	ON	The CPU temperature goes up to 110 °C
		OFF	Normal status
D8	'THERMTRIP#' signal is active	ON	The CPU temperature goes up to 125 °C
		OFF	Normal status

2.5 eUSB Flash Disk Installation and Removal

Installing the eUSB Flash Disk

1. Align and insert the connector of the eUSB flash to the connector on the NITX-300-ET-DVI module.

Figure 2-2 eUSB Flash Disk Installation and Removal



2. Use a M2.5x4 mm screw (0.4 N·m of torque is recommended) to fasten the eUSB flash module to the standoff.

Removing the eUSB Flash Disk from the Module

1. Loosen and remove the screws of the eUSB flash disk from the standoff.
2. While holding the edges, pull the eUSB flash disk from the board.

2.6 SATA HDD and Slim Lite SSD (MO-297) Connection and Removal

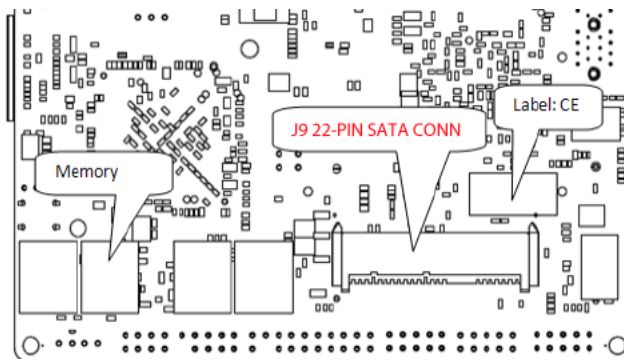
Two SATA ports are routed to the connector from the Topcliff. One port is a 7-pin SATA connector, another is a 15-power+7signals connector which is used for "Slim Lite SSD". To connect the SATA HDD and SSD, follow the steps below:

NOTICE

Damage of Circuits Electrostatic discharge and incorrect module installation and removal can damage circuits or shorten their life. Before touching the module or electronic components, make sure that you are working in an ESD-safe environment.

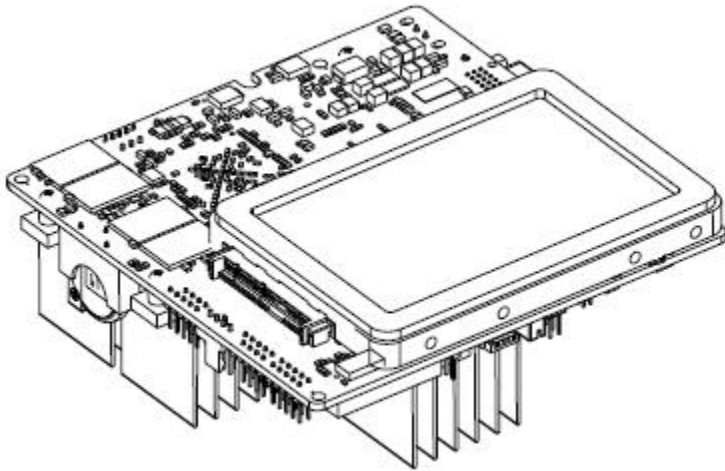
1. Locate the J9 22-pin SATA connector on the underside of the NITX-300-ET-DVI board.

Figure 2-3 J9 22-pin SATA connector



2. Align and insert SATA HDD to the J9 22-pin SATA connector on the NITX-300-ET-DVI board.

Figure 2-4 Serial ATA HDD

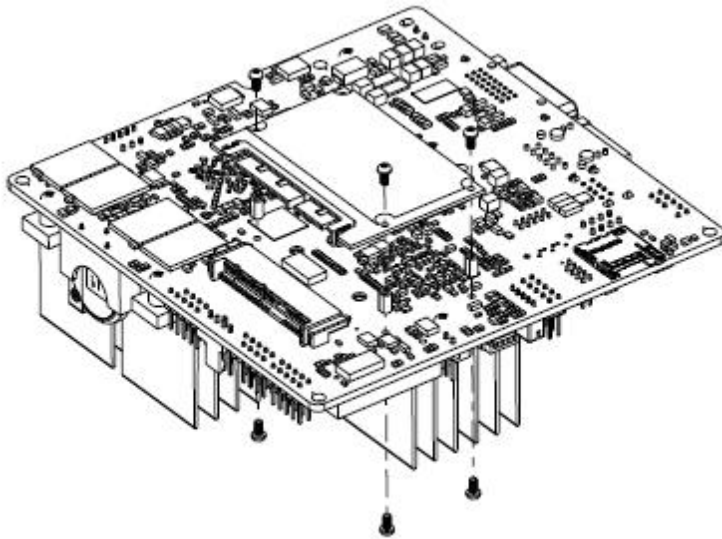


HDD or SSD device should be fastened to a chassis or an enclosure.

3. Align and insert Slim Lite SSD (MO-297) to the J9 22-pin SATA connector on the NITX-300-ET-DVI board.

Use three M1.6x3.5mm screws and three M1.6x6.0mm standoffs (0.09 Nm of torque is recommended) to fasten the Slim Lite SSD (MO-297) to the NITX-300-ET-DVI board.

Figure 2-5 *Slim Lite SSD (MO-297)*



Controls, LEDs, and Connectors

3.1 Board Layout

Figure 3-1 NITX-300-ET-DVI Module Components

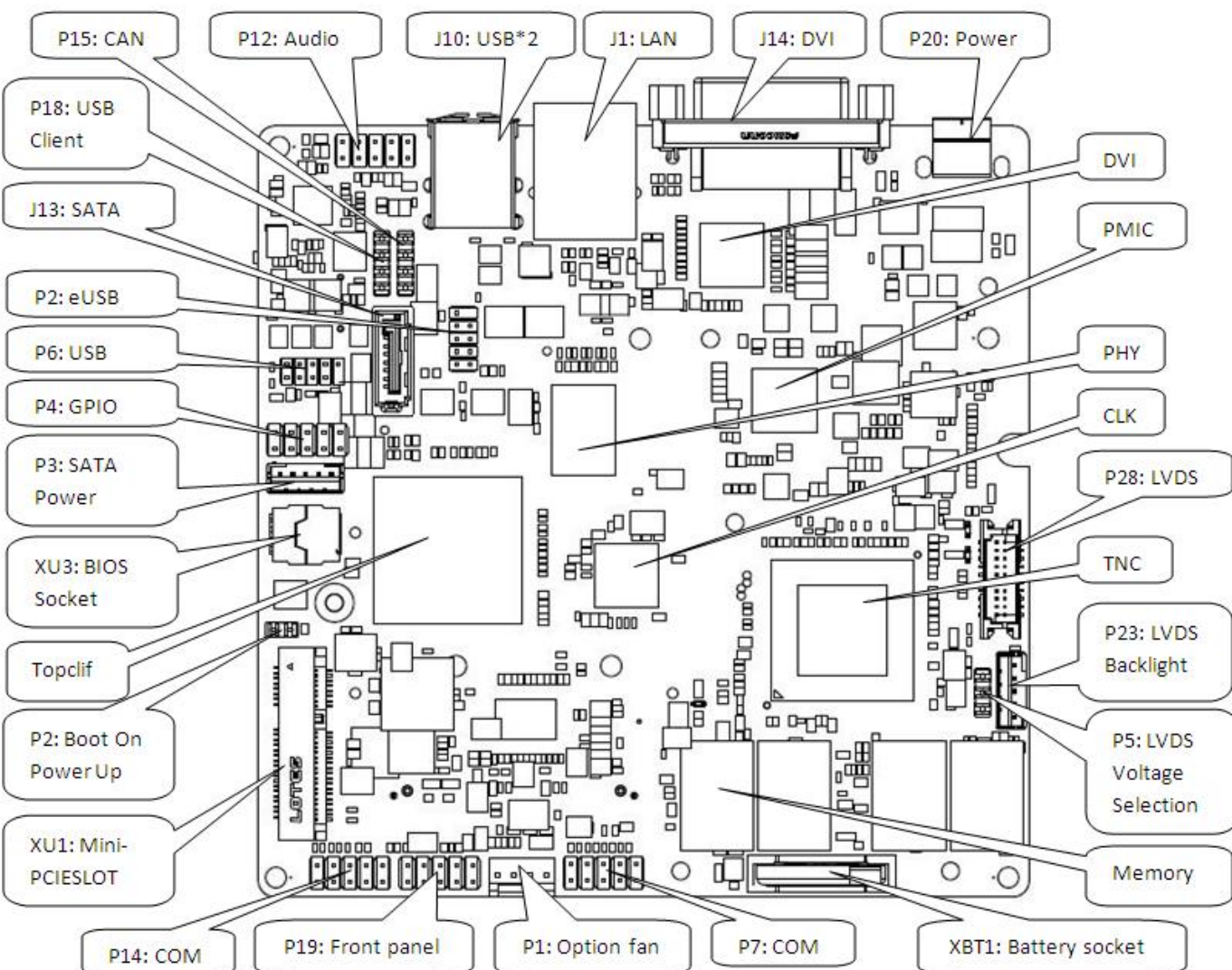
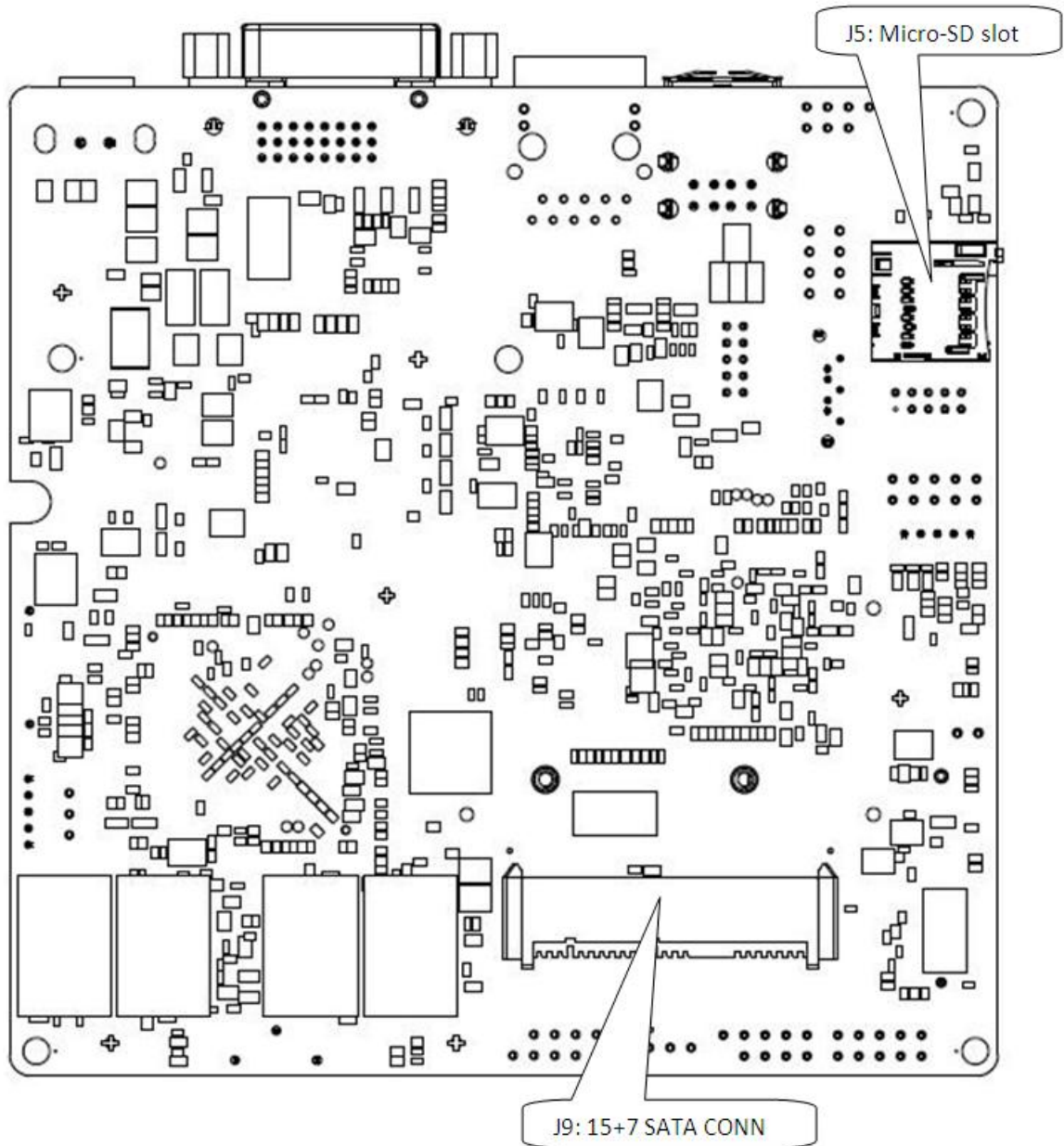


Figure 3-2 NITX-300-ET-DVI Module Components (Rear View)



3.2 Connectors and Switches

3.2.1 LVDS Header (P28)

Table 3-1 LVDS Header Pin Definition (P28)

Pin	Signal	Pin	Signal
1	VCC_LVDS	2	VCC_LVDS
3	GND	4	GND
5	LVDS_A_A0_P	6	LVDS_A_CLK_P
7	LVDS_A_A0_N	8	LVDS_A_CLK_N
9	GND	10	GND
11	LVDS_A_A1_P	12	LDDC_CLK
13	LVDS_A_A1_N	14	LDDC_DATA
15	GND	16	GND
17	LVDS_A_A2_P	18	LVDS_A_A3_P
19	LVDS_A_A2_N	20	LVDS_A_A3_N

3.2.2 LVDS Backlight Header (P23)

Table 3-2 LVDS Inverter Header Pin Definition

Pin	Signal
1	VCC12V
2	LVDS_BKLT_EN
3	GND
4	LCD_BKL_ADJ
5	VCC5V

3.2.3 LVDS Power Header (P5)

Table 3-3 LVDS Power Connector Pin Definition

Pin	Signal
1	D33VS
2	VCC_LVDS_SEL
3	D50VS

Table 3-4 LVDS Power Jumper Pin Definition

Jumper setting (Jumper:P5)	Configuration
P5 (1-2)	Using 3.3V to power the LVDS panel
P5 (2-3)	Using 5V to power the LVDS panel

3.2.4 USB client header (P18)

Table 3-5 USB Client Header Pin Definition

Pin	Signal
1	USB power detect
2	D-
3	D+
4	GND

3.2.5 USB Header (P6)

Table 3-6 USB Header Pin Definition

Pin	Signal
1	USB0_PWR
2	USB1_PWR
3	USB0_DN
4	USB1_DN
5	USB0_DP
6	USB1_DP
7	GND
8	GND
9	dummy
10	NC

3.2.6 eUSB Header (P2)

Table 3-7 eUSB Pin Header Definition

Pin	Signal
1	USB4_PWR
2	USB5_PWR
3	USB4_DN
4	USB5_DN
5	USB4_DP
6	USB5_DP
7	GND

Table 3-7 eUSB Pin Header Definition

Pin	Signal
8	GND
9	dummy
10	NC

3.2.7 Audio Header (P12)

Table 3-8 Audio Header Pin Definition

Pin	Signal
1	Dummy
2	GND
3	Dummy
4	NC
5	LOUT_R
6	Dummy
7	GND
8	Dummy
9	LOUT_L
10	LOUT_JD

3.2.8 CAN Bus Header (P15)

Table 3-9 CAN Bus Header Pin Definition

Pin	Signal
1	CAN_H

Table 3-9 CAN Bus Header Pin Definition

Pin	Signal
2	GND
3	CAN_L
4	VCC5

3.2.9 Full Wire RS232 Header (P7)

Table 3-10 Full Wire RS232 Header Pin Definition

Pin	Signal
1	COM1A_DCD
2	COM1A_RXD
3	COM1A_TXD
4	COM1A_DTR
5	GND
6	COM1A_DSR
7	COM1A_RTS
8	COM1A_CTS
9	COM1A_RI-

3.2.10 Two Wire RS232 Header (P14)

Table 3-11 Two Wire RS232 Header

Pin	Signal
1	COM2_RXD_232
2	COM2_TXD_232

Table 3-11 Two Wire RS232 Header (continued)

Pin	Signal
3	GND
4	GND
5	COM3_RXD_232
6	COM3_TXD_232
7	GND
8	GND
9	COM4_RXD_232
10	COM4_RXD_232

3.2.11 Battery Socket (XBT1)

Table 3-12 Battery Header Pin Definition

Pin	Signal
1	VBAT
2	GND
3	VBAT

3.2.12 Front Panel Header (P19)

Table 3-13 Front Panel Header Pin Definition

Pin	Signal
1	HD_LED
2	POWER_LED
3	HD_LED_N

Table 3-13 Front Panel Header Pin Definition

Pin	Signal
4	GND
5	GND
6	PWRBTN
7	RESET
8	GND
9	Dummy
10	KEY

3.2.13 GPIO Header (P4)

Table 3-14 GPIO Header Pin Definition

Pin	Signal
1	GPO0
2	GPI0
3	GPO1
4	GPI1
5	GPO2
6	GPI2
7	GPO3
8	GPI3
9	V5S
10	GND

3.2.14 CPU FAN Header (P1)

Table 3-15 CPU FAN Header Pin Definition

Pin	Signal
1	GND
2	D50VS
3	TACH
4	PWM

3.2.15 SATA Power Header (P16)

Table 3-16 SATA Power Header Pin Definition

Pin	Signal
1	+12V
2	GND
3	+5V
4	GND
5	+3.3V

3.2.16 J9 SATA Connector

Table 3-17 J9 SATA Pin Definition

Pin	Signal
S1	GND
S2	SATA_TXP

Table 3-17 J9 SATA Pin Definition (continued)

Pin	Signal
S3	SATA_TXN
S4	GND
S5	SATA_RXN
S6	SATA_RXP
S7	GND
P1	+3.3V
P2	+3.3V
P3	+3.3V
P4	GND
P5	GND
P6	GND
P7	+5V
P8	+5V
P9	+5V
P10	GND
P11	RESERVED
P12	GND
P13	+12V
P14	+12V
P15	+12V

3.3 Onboard LEDs

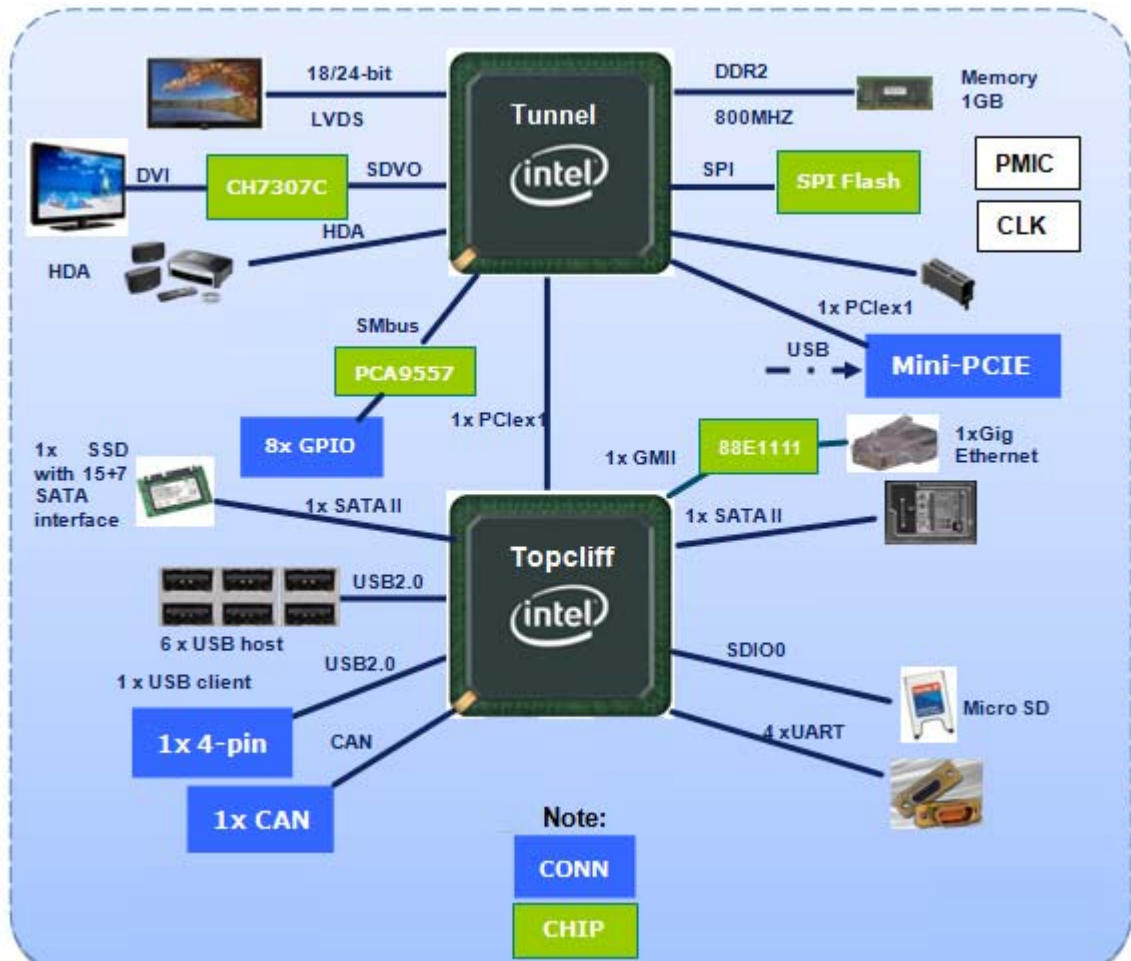
Table 3-18 Onboard LEDs

Location	Color	Description
D2	RED	Processor Hot Alert
D8	RED	Thermal Trip Alert
D12	Green	Power OK indicator

Functional Description

4.1 Block Diagram

Figure 4-1 Block Diagram for NITX-300-ET-DVI



4.2 Processor

NITX-300-ET-DVI is designed to support the Tunnel Creek processor. The features are detailed in the table below:

Table 4-1 Tunnel Creek Processor Features

Feature	Description
Low-Power Intel Architecture Core	600 MHz (Ultra Low Power SKU), 1.0 GHz (Mainstream SKU) and 1.3 GHz (Premium SKU) with related TDP 2.7, 3.1, 3.3 W
System Memory Controller	Single-channel DDR2 memory controller 32-bit data bus. Supports DDR2 800 MT/s data rates. Supports only soldered-down DRAM configurations. The memory controller, currently does not support SODIMM or any type of DIMMs.
Video Decode	Supports MPEG2, MPEG4, VC1, WMV9, H.264 (main, baseline@L3 and high-profile level 4.0/4.1), and DivX.
Video Encode	Supports MPEG4, H.263, H.264 (baseline@L3), and VGA/QGA.
Display Interfaces	Supports LVDS and Serial DVO (SDVO) display ports permitting simultaneous independent operation of two displays. The LVDS interface supports pixel color depths of 18- and 24-bits with maximum resolution up to 1280x768 @ 60Hz. The SDVO display interface can provide maximum resolution up to 1280x1024 @ 85Hz.
PCI Express	It has four x1 lane PCI Express root ports supporting the PCI Express Base Specification, Revision 1.0a.
LPC Interface	The Tunnel Creek processor implements an LPC interface as described in the LPC1.1 Specification.
Intel High Definition Audio (Intel HD Audio) Controller	The Intel HD Audio controller supports up to four audio streams, two in and two out. With the support of multi-channel audio stream, 32-bit sample depth, and sample rate up to 192 kHz.
SMBus Host Controller	The Tunnel Creek processor contains an System Management Bus (SMBus) host interface that allows the processor to communicate with SMBus slaves. This interface is compatible with most I2C devices. The SMBus host controller provides a mechanism for the processor to initiate communications with SMBus peripherals (slaves). See the System Management Bus (SMBus) Specification, Version 1.0.

Table 4-1 Tunnel Creek Processor Features

Feature	Description
General Purpose I/O (GPIO)	The Tunnel Creek processor contains a total of 14 GPIO pins. Five of these GPIOs are powered by core power rail and are turned off during sleep mode (S3 and higher). Nine of these GPIOs are powered by the suspend power well and remained active during S3. Four of the GPIOs in suspend power well can be used to wake the system from the Suspend-to-RAM state. The GPIOs are not 5V tolerant.
Serial Peripheral Interface (SPI)	The Tunnel Creek processor contains a SPI interface that supports boot from SPI flash. This interface only supports BIOS boot.
Power Management	The processor contains full support for the Advanced Configuration and Power Interface (ACPI) Specification, Revision 3.0.
Watchdog Timer (WDT)	The Tunnel Creek processor supports a user configurable watchdog timer. It contains selectable prescaler approximately 1 microsecond to 10 min. When the WDT triggers, GPIO [4] will be asserted.
Package	The Tunnel Creek processor is a 676 solder balls with 0.8mm ball pitch Flip Chip Ball Grid Array (FCBGA). The package dimensions are 22mm x 22mm, Z-height is 2.097mm -2.35mm.

4.3 System Memory

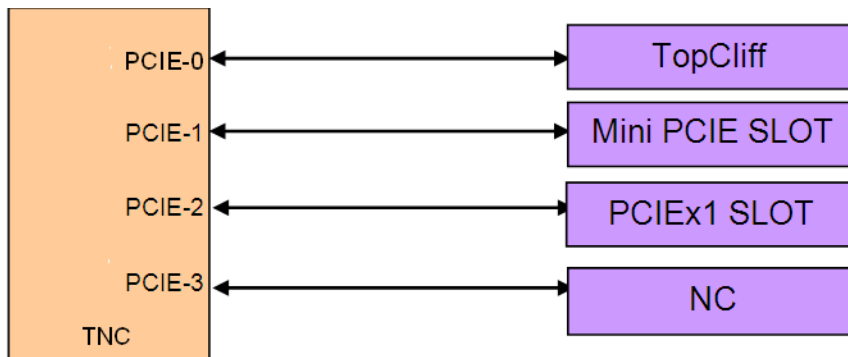
The Tunnel Creek integrated a single channel 32-bit non ECC DDR2 controller, it supports up to 1GB DDR2 memory at 800MHz.

There are 8 1Gb X 8 data width DRAM chips which forms a two Rank total 1GB memory capacity topology. And for some low-end configuration, the DRAM chips can be configured as one Rank topology which is a 512MB solution.

4.4 PCI-E Port

There are a total of four x1 PCI-E Gen1 ports in the Tunnel Creek (TNC) IOH. The following figure displays the PCI-E ports configuration:

Figure 4-2 PCI-E Connection Diagram



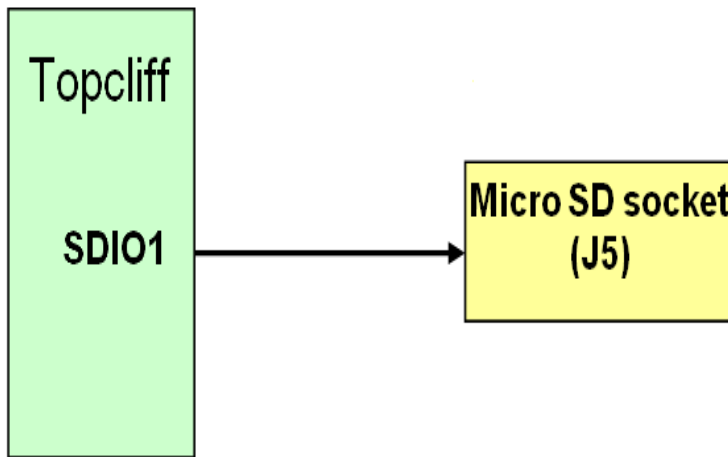
4.5 SATA

Two SATA ports are routed to the connector from the Topcliff, the SATA rate is 3Gbps and supports Advanced Host Controller Interface (AHCI). One port is a 7-pin SATA connector, another is a 15-power+7signals connector which is used for "Slim Lite SSD".

4.6 MicroSD

NITX-300-ET-DVI contains one SDIO link, which is routed to a micro SD slot.

Figure 4-3 SDIO Link Connection Diagram



4.7 Ethernet Interfaces

NITX-300-ET-DVI provides a 10/100/1000 Ethernet connecting to the connector RJ45 J1. The magnetic is integrated into the RJ45 connector. The Ethernet MAC is stored in an onboard EEPROM.

The connection interface is Reduced Gigabit Media Independent Interface (RGMII) between Topcliff and Marvell 88E1111.

The Ethernet supports LAN wake function.

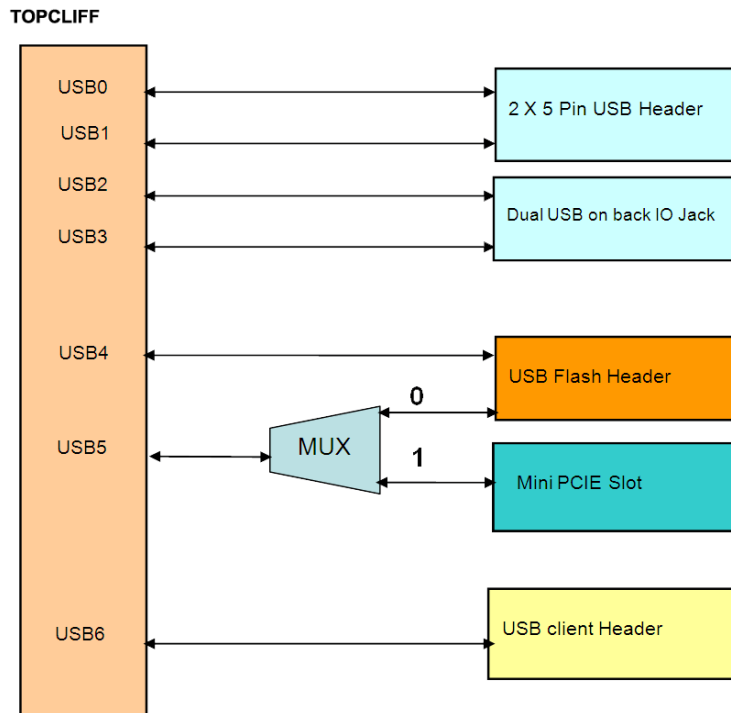
There are 2 types of power supply required by Marvel 88E1111: 2.5 V and 1.2 V.

4.8 USB Interface

The Topcliff can support up to six USB2.0 host interfaces and one USB client interface which complies with USB2.0 and USB1.1 protocols. For the host ports, two ports are routed to the back IO panel; two ports are routed to one 2X5 pin inner header; one port is routed to the USB flash header and the last one is routed to a switch which can lead the port to the USB flash header or the mini PCI-E slot. The function can be selected in the BIOS setup menu. The client USB port is routed to a header.

The following figure illustrates the routing diagram. For more information, see [Table 3-6 on page 37](#) and [Table 3-7 on page 37](#).

Figure 4-4 USB ports connections diagram



4.9 USB Flash

The on-board standard profile USB flash (SSD) header supports the USB flash module which stores the OS and application software allowing for boot up without a hard disk drive.

USB port 4 is used as the interface. The USB flash uses a 2x5 header with pitch 2.54 mm, the header signal definition is displayed in the figure below.

Figure 4-5 USB Flash Connector Pin Definition

VCC5	1	2	VCC5
USB1_D-	3	4	USB2_D-
USB1_D+	5	6	USB2_D+
GND	7	8	GND
KEY		10	NC

4.10 RS-232

There are four UART ports integrated in the Topcliff, one is a full 9-pin RS232 connecting to a COM header P7. The others are 3-pin RS232 connecting to CH7317A-BF. See [Table 3-10 on page 39](#) and [Table 3-11 on page 39](#).

4.11 CAN bus

A CAN bus is integrated in the Topcliff. The features are:

- Supports CAN protocol Version 2.0B Active
- Supports bit rate up to 1 Mbit/s
- Supports 32 message objects
- Each message object has its own mask (identifier/direction/extended/New Data)

- Priority control by each message object
- Programmable FIFO mode (concatenation of message objects)
- Maskable interrupt (bus-off/error warning/reception completion/transmission completion)
- Detection/identification of bit error/stuff error/CRC error/form error/acknowledge error
- Programmable loop-back mode for self-test operation
- Disabled Automatic Retransmission (DAR) mode for time triggered CAN applications

For more information, see [Table 3-9 on page 38](#).

4.12 I2C Serial Interface and Devices

There is one I2C compatible SMBus on the TNC. The following devices connect to the SMBus:

- Trusted Platform Module (TPM)
- One 1x PCI-E slot
- One Mini PCI-E slot
- Temperature sensor EMC2103

- PCA9557
- LM80CIMT-3

Figure 4-6 Board I2C Device Connection Diagram

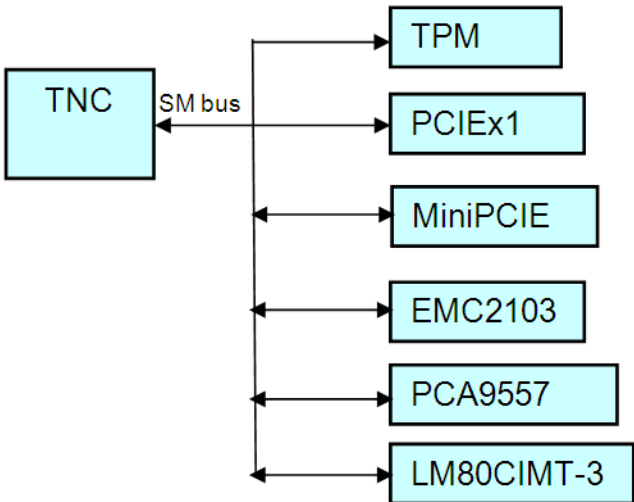


Table 4-2 I2C Device Address

Device	TPM	PCIEx1	Mini-PCIE	EMC2103	PCA9557	LM80
Address		Note1	Note2	5C	30	50



The PCI-E x1 slot SMB address depends on the PCI-E x1 card.

The Mini PCI-E card SMB address depends on the Mini PCI-E card

4.13 Video Interface

TNC supports two types of display output: SDVO and LVDS. For SDVO application, NITX-300-ET-DVI uses a transfer solution CH7307C to provide the SDVO to DVI usage.

The LVDS interface supports pixel color depths of 18- and 24-bits and a maximum resolution of up to 1280x768 at 60Hz. Minimum pixel clock is 19.75MHz while the maximum pixel clock rate is up to 80MHz.

The standard BIOS supports SDVO out and LVDS output.

4.14 Audio Interface

TNC can support a high definition audio interface. An audio codec is applied to the HDA link. A header P12 for the front panel audio output is provided. See [Table 3-8 on page 38](#).

4.15 BIOS Device

The SPI flash is used as a BIOS device. The SPI BIOS chip capacity is 4 MB.

NITX-300-ET-DVI also provides an SF100 onboard SPI flash program function. When this feature is used, the input power should be cut fully to avoid damage to the chipset. See [Table 3-6 on page HIDDEN](#).

4.16 GPIO Configuration

There are three parts of GPIO in NITX-300-ET-DVI, one is a user define GPIO which is generated from PCA9557PW. The second part GPIO is coming from the TNC and the 3rd part GPIO is derived from Topcliff.

The PCA9557PW provides eight user defined GPIOs, 4 GPI and 4 GPO with 5V referenced on one internal header P4. See [Table 3-14 on page 41](#).

Table 4-3 TNC GPIO Definition

5 Core-well GPIOs (turned off during sleep mode)	
Name	Function

Table 4-3 TNC GPIO Definition (continued)

5 Core-well GPIOs (turned off during sleep mode)	
GPIO[4]	LPC[0] clock buffer strength control. Also muxed with WDT_TIMEOUT.
GPIO[3:2]	Defines CMC base address
GPIO[1]	Reserved
GPIO[0]	Defines boot flash from SPI or LPC
9 Sus well GPIOs accessible during S3 sleep state (GPIO SUS[0:8])	
GPIO_SUS[8]	Defines number of ranks enabled
GPIO_SUS[6:5]	Defines memory device densities
GPIO_SUS[2]	Muxed with LVDS BKLCTL
GPIO_SUS[1]	Muxed with LVDS BKLTEN
GPIO_SUS[0]	Defines memory device width (x16 or x8). Also muxed with LVDS VDDEN.

Table 4-4 Topcliff GPIO Configuration

Name	Function
GPIO0	USB MUX control. Low: USB port5 is routing to Mini PCI-E slot High : USB port5 is routing to eUSB slot
GPIO1	NC
GPIO2	NC
GPIO3	NC
GPIO4	NC
GPIO5	Client USB power detect. Low: No Client USB power existence High: Client USB power existence
GPIO6	NC
GPIO7	NC
GPIO8	DRAM vendor. Low: SAMSUNG High: MICRON

Table 4-4 Topcliff GPIO Configuration (continued)

Name	Function
GPIO9	MEM capacity. Low: 1GB High: 512MB
GPIO10	MEM freq. Low: 667MHz High: 800MHz
GPIO11	NC

4.17 Clock Distribution

The following figure displays the clock source used by NITX-300-ET-DVI.

Figure 4-7 Clock Distribution of NITX-300-ET-DVI

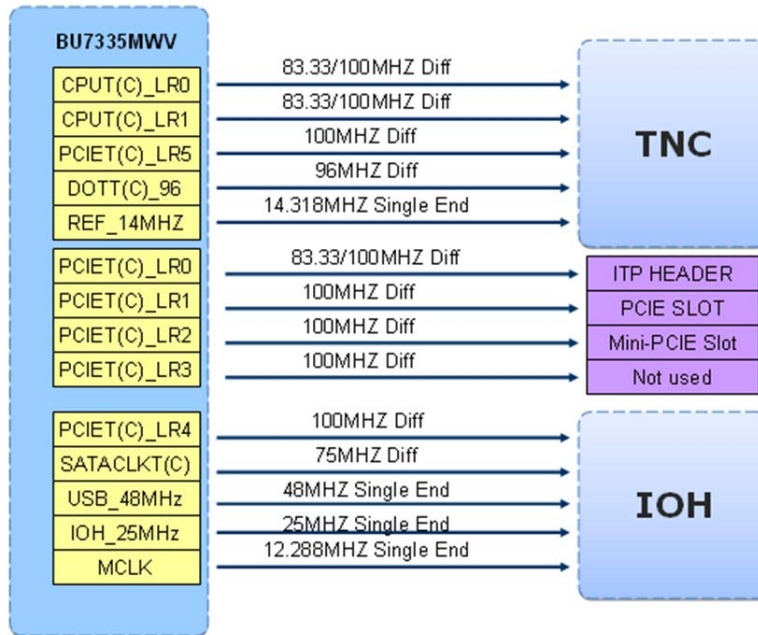


Table 4-5 Clock Assignments

DEVICE	CLOCK SIGNAL(S)	FREQUENCY (MHz)	CLOCK TREE SOURCE	QTY	VIO
TNC	BCLK	100	BU7335MWV	1	DIFF
TNC	HPLL_REFCLK	100	BU7335MWV	1	DIFF
TNC	SDVO_REFCLK	96	BU7335MWV	1	DIFF
TNC	CLK_14MHZ	14.318	BU7335MWV	1	Single
TNC	CPU_PCIE_CLK	100	BU7335MWV	1	DIFF
LPC (from TNC)	LPC_CLKOUT0	33	TNC	1	Single
HDACLK	HDA_CLK	24	TNC	1	Single

Table 4-5 Clock Assignments (continued)

DEVICE	CLOCK SIGNAL(S)	FREQUENCY (MHz)	CLOCK TREE SOURCE	QTY	VIO
LVDS	LVDS_CLK	20~80	TNC	1	DIFF
CH7317B	SDVO_CLK	20~160	TNC	1	DIFF
Memory	DDR_CLK	400	TNC	1	DIFF
9LPRS436	CK505_X1	25	Crystal	1	Single
TNC	TNC_RTC_X1	32.768KHz	Crystal	1	Single
Topcliff	UARTCLK	1.8432/12	Crystal or BU7335MWV	1	Single
Topcliff	IOH_CLK	100	BU7335MWV	1	DIFF
Topcliff	SATA0_CLK	75	BU7335MWV	1	DIFF
Topcliff	IOH_USB_CLK	48	BU7335MWV	1	Single
Topcliff	IOH_SYS_CLK	25	BU7335MWV	1	Single
PHY	CLK_PCIE_LAN	25	BU7335MWV	1	DIFF
PCIE slot	CLK_PCIE_SLOT	100	BU7335MWV	1	DIFF
Mini PCIE slot	CLK_PCIE_MINICARD	100	BU7335MWV	1	DIFF

5.1 POST

After power-up or reset, the BIOS performs a self-test, POST, that attempts to determine if further operation is possible and that the detected configuration is expected. This process can complete normally or result in a warning or an error. The boot process does not stop after a warning but displays a message on the primary display device. If an error is detected, the boot process is halted. If possible, a message will be displayed but failures early on in the test can only be indicated in POST codes.

The POST process display depends on the Quiet Boot option.

Viewing all checkpoints generated by Aptio firmware requires a checkpoint card, which is also named "POST Card" or "POST Diagnostic Card". They are PCI or LPC add-in cards that show the value of I/O port 80h on a LED display. These cards are available at the electronic or computer market around the world.

5.2 Boot Process

While performing the functions of the traditional BIOS, Aptio 4.x core follows the firmware model described by the Intel Platform Innovation Framework for EFI ("the Framework"). The framework is associated to the following "boot phases", which can be described by various state code.

- Security (SEC) - initial low-level initialization
- Pre-EFI Initialization (PEI) - memory initialization1
- Driver Execution Environment (DXE) - main hardware initialization2
- Boot Device Selection (BDS) - system setup, pre-OS user interface & selecting a bootable device (CD/DVD, HDD, USB, Network, Shell, etc.)

5.3 Initiating Setup

During the boot, pressing the F2 key on the keyboard requests the Setup utility be launched once the self-test is complete and before searching for a boot device. See the Setup description later in this document to describe the operation of this utility. If you exit Setup without saving any changes, the boot process continues with the search for a boot device. If the changes are saved, the motherboard loads the new settings and resets - re-starting the entire boot process.

5.4 Setup Utility

The BIOS incorporates a Setup utility that allows the user to alter a variety of system options. This section describes the operation of the utility by describing the various options available through a set of hierarchical menus. Not all options are available with all products and some depend on BIOS customizations.

The current settings are stored in the SPI FLASH NVRAM area and any changes can be copied back to this area via the Exit menu. The operation of the BIOS defaults is described later in this document.

To start the utility, you must press the F2 key during the early stages of POST after power-up. Note that this functionality operates with PS/2 keyboards, USB keyboards when enabled, and via the console redirection facility when enabled.

The table below briefly describes the primary menus, most of which have sub-menus. The following sections describe the menus in detail.

Table 5-1 BIOS Primary Menu

Menu	Options
Main	BIOS information and date and time
Advanced	Advanced features including ACPI, CPU, IDE, USB, HW monitoring and Serial Port settings
Chipset	Features including Host Bridge and Southbridge
Boot	Boot mode and Boot options
Security	Administrator's password
Save & Exit	Save with or without changes, Load/save default settings and Boot Device Selection

The Aptio navigation can be accomplished using a combination of the keys. These keys include the <FUNCTION> keys, <ENTER>, <ESC>, <ARROW> keys, and so on.

Table 5-2 Aptio Navigation

Key	Description
ENTER	The Enter key allows the user to select an option to edit its value or access a sub menu.
Left/Right	The Left and Right <Arrow> keys allow you to select a screen.
Up/Down	The Up and Down <Arrow> keys allow you to select an item or sub-screen.
+/- Plus/Minus	The Plus and Minus <Arrow> keys allow you to change the field value of a particular setup item.
Tab	The <Tab> key allows you to select fields.
ESC	The <Esc> key allows you to discard any changes you have made and exit the Aptio Setup. When you are in sub-menu, <Esc> allows you to exit to the upper menu.
Function keys	When other function keys become available, they are displayed at the right of the screen along with their intended function.

5.4.1 Main Menu

Figure 5-1 Main Menu



Table 5-3 Main Menu Field Description

Field	Description
BIOS Vendor	BIOS vendor name.
Core Version	Aptio core version.
Project Version	Project name and its version.
Build Date	BIOS build date.
Memory Information	

Table 5-3 Main Menu Field Description (continued)

Field	Description
MRC Version	Show MRC Information
Total Memory	Show Total Memory Information
Platform Information	
System Date	Sets the time and date (month/day/year format). To change these values, go to each field and enter the desired value. Press the tab key to move from hour to minute to second, or from month to day to year. There is no default value.
System Time	
Access Level	Show Administrator or User access level

Table 5-4 Platform Information

Field	Description
Tunnel Creek Version	02 (B1 Stepping)
PUNIT Build Date	May 24 2011
PUNIT Build Time	0:38:19

5.4.2 Advanced Menu

Figure 5-2 Advanced Menu

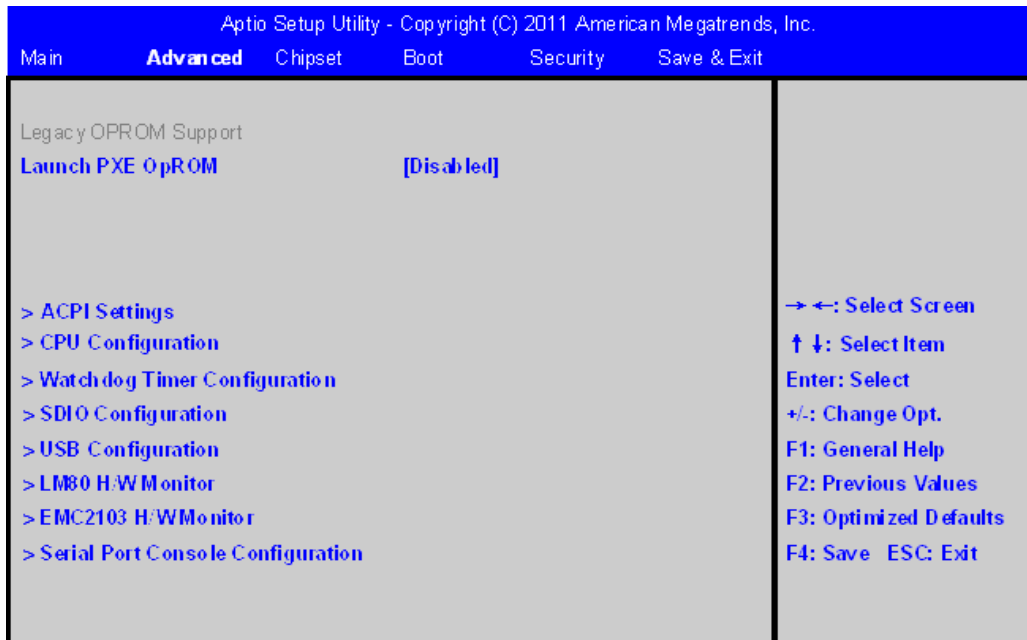


Table 5-5 Advanced Menu Field Description

Field	Description
Launch PXE OpROM	Enable or Disable Boot Option for Legacy Network Devices. Default is "Enabled".
ACPI Settings	System ACPI Parameters, see Table 5-6 on page 65
CPU Configuration	CPU Configuration Parameters, see Table 5-7 on page 65
Watchdog Timer Configuration	Enable or Disable Watchdog Timer Function (WDT), see Table 5-8 on page 66
SDIO Configuration	SDIO configuration Parameters, see Table 5-9 on page 66
USB Configuration	USB Configuration Parameters, see Table 5-10 on page 66

Table 5-5 Advanced Menu Field Description (continued)

Field	Description
LM80 H/W Monitor	Monitor hardware status, see Table 5-11 on page 67
EMC2103 H/W Monitor	Monitor hardware status, see Table 5-12 on page 67
Serial Port Console Redirection	Serial Port Console Redirection, see Table 5-13 on page 68

Table 5-6 ACPI Settings

Field	Description
ACPI Sleep State	Select the highest ACPI sleep state the system will enter, when the SUSPEND button is pressed. States: Suspend Disabled and S3 (Suspend to RAM). Default is "S3(Suspend to RAM)".

Table 5-7 CPU Configuration

Field	Description
Processor Type Information	Processor Type information
EMT64	EMT64
Processor Speed	Processor Speed
System Bus Speed	System Bus Speed
Ratio Status	Ratio Status
Actual Ratio	Actual Ratio
Processor Stepping	Process Stepping
Microcode Revision	Microcode Revision
L1 Cache RAM	L1 Cache RAM
L2 Cache RAM	L2 Cache RAM
Processor Core	Processor Core
Hyper-Threading	Hyper-Threading
Intel SpeedStep	Enable or Disable Intel® SpeedStep™. Default is Enabled.
Hyper-Threading	Enabled for Windows XP and Linux (OS optimized for Hyper-Threading technology) and Disabled for other OS (OS not optimized for Hyper-Threading Technology). Default is Enabled.

Table 5-7 CPU Configuration (continued)

Field	Description
Execute Disable Bit	XD can prevent certain classes of malicious buffer overflow attacks when combined with a supporting OS (Windows Server 2003 SP1, Windows XP SP2, SuSE Linux 9.2, RedHat Enterprise 3 Update 3.) Default is "Enabled".
Intel Virtualization	When enabled, a VM can utilize the additional hardware capabilities provided by Vanderpool Technology. Default is "Disabled".
C-States	Enable/Disable C2 and above. Default is "Enabled".
Enhanced C3	Enable or Disable Enhanced C3 State. Default is "Disabled".

Table 5-8 Watchdog Timer Configuration

Field	Description
Watchdog Timer	Select an optimal settings Watchdog Timer (WDT). Items: Disabled, Enabled. Default value is "Disabled".
WDT Reset Type	Select the wanted reset type when the watchdog timer is triggered. Items: Cold Reset, Warm Reset. Default is "Warm Reset".
Time-Out (Minutes)	Set timer to wait before system reset. The value range is from 1 to 10 minutes, the step is 1 minute. Default value is "5 minutes".

Table 5-9 SDIO Configuration

Field	Description
SDIO Access Mode	Auto Option: Access SD device in DMA mode if controller supports it, otherwise in PIO mode. DMA Option: Access SD device in DMA mode. PIO Option: Access SD device in PIO mode. Default is Auto.

Table 5-10 USB Configuration

Field	Description
USB Devices:	List the attached USB Devices
USB Support	USB Support Parameters.

Table 5-10 USB Configuration (continued)

Field	Description
Legacy USB Support	Enables Legacy USB support. AUTO option disables legacy support if no USB devices are connected. Disable option will keep USB devices available only for EFI application. Default is "Enabled".
EHCI Hand-off	This is a workaround for OSES without EHCI hand-off support. The EHCI ownership change should be claimed by EHCI driver. Default is "Enabled".
Mass Storage Devices:	List the attached Mass Storage Devices.

Table 5-11 LM80 H/W Monitor

Field	Description
CPU_VCORE	Monitor the CPU VCORE voltage
VCC0_89	Monitor the VCC 0.89V
VCC1_05	Monitor the VCC 1.05V
VCC1_2	Monitor the VCC 1.2V
VCC1_8	Monitor the VCC 1.8V
VCC3_3	Monitor the VCC 3.3V
VCC5	Monitor the VCC 5V

Table 5-12 EMC2103 H/W Monitor

Field	Description
CPU Temperature	CPU Temperature
Board Temperature	Board Temperature
CPU Fan Speed	CPU Fan Speed
CPU Fan Duty Cycle	CPU Fan Duty Cycle
Automatic Fan Control	Enable/Disable automatic fan control in the EMC2103. Default is "Enabled".

Table 5-13 Serial Port Console Redirection

Field	Description
COM0(Pci Bus2,Dev10,Func1)	
Console Redirection	Console Redirection Enable or Disable. Default is Disabled.
Console Redirection Settings	See Table 5-13 on page 68
COM1(Pci Bus 2,Dev 10,Func2)	
Console Redirection	Console Redirection Enable or Disable. Default is Disabled.
Console Redirection Settings	See later description
COM2(Pci Bus 2,Dev 10,Func3)	
Console Redirection	Console Redirection Enable or Disable. Default is Disabled.
Console Redirection Settings	See later description
COM3(Pci Bus 2,Dev 10,Func4)	
Console Redirection	Console Redirection Enable or Disable. Default is Disabled.
Console Redirection Settings	See Table 5-13 on page 68
Serial Port for Out-of-Band Management/Windows Emergency Management Services (EMS)	
Console Redirection	Console Redirection Enable or Disable. Default is Disabled.
Out-of-Band Mgmt Port	Microsoft Windows Emergency Management Services (EMS) allows for remote management of a Windows Server OS through a serial port. Items: COM0, COM1, COM2, COM3. Default is COM0(Pci Bus2, Dev10, Func1)
Data Bits	8
Parity	None
Stop Bits	1
Terminal Type	VT-UTF8 is the preferred terminal type for out-of-band management. The next best choice is VT100+ and then VT100. See above, in Console Redirection Settings page, for more Help with Terminal Type/Emulation. Items: VT100, VT100+, VT-UTF8, ANSI. Default is VT-UTF8.

Table 5-14 COM0 Console Redirection Settings

Field	Description
COM0 (PCI Bus2,Dev10,Func1)	
Console Redirection Settings	
Terminal Type	Emulation: ANSI: Extended ASCII char set. VT100: ASCII char set. VT100+: Extends VT100 to support color, function keys, etc. VT-UTF8: Uses UTF8 encoding to map Unicode chars onto 1 or more bytes. Items: VT100, VT100+, VT-UTF8, ANSI. Default is VT100.
Bits per second	Selects serial port transmission speed. The speed must be matched on the other side. Long or noisy lines may require lower speeds. Items: 9600, 19200, 57600, 115200. Default is 115200.
Data Bits	Selects the data bits. Items: 7, 8. Default is 8.
Parity	A parity bit can be sent with the data bits to detect some transmission errors. Even: parity bit is 0 if the num of 1's in the data bits is even. Odd: parity bit is 0 if num of 1's in the data bits is odd. Mark: parity bit is always 1. Space: Parity bit is always 0. Mark and Space Parity do not allow for error detection. They can be used as an additional data bit. Items: None, Even, Odd, Mark, Space. Default is None.
Stop Bits	Stop bits indicate the end of a serial data packet. (A start bit indicates the beginning). The standard setting is 1 stop bit. Communication with slow devices may require more than 1 stop bit. Items: 1, 2. Default is 1.
Flow Control	Flow control can prevent data loss from buffer overflow. When sending data, if the receiving buffers are full, a 'stop' signal can be sent to stop the data flow. Once the buffers are empty, a 'start' signal can be sent to re-start the flow. Hardware flow control uses two wires to send start/stop signals. Software flow control uses start/stop ASCII chars, which slows down the data flow and can be problematic if binary data is being sent. Items: None, Hardware RTS/CTS. Default is None.
Recorder Mode	On this mode enabled only text will be send. This is to capture Terminal data. Items: Disabled, Enabled. Default is Disabled.
Resolution 100x31	Enables or disables extended terminal resolution. Items: Disabled, Enabled. Default is Enabled.
Legacy OS Redirection	On Legacy OS, the Number of Rows and Columns supported redirection. Items: 80x24, 80x25. Default is 80x24.

5.4.3 Chipset Menu

Figure 5-3 Chipset Menu

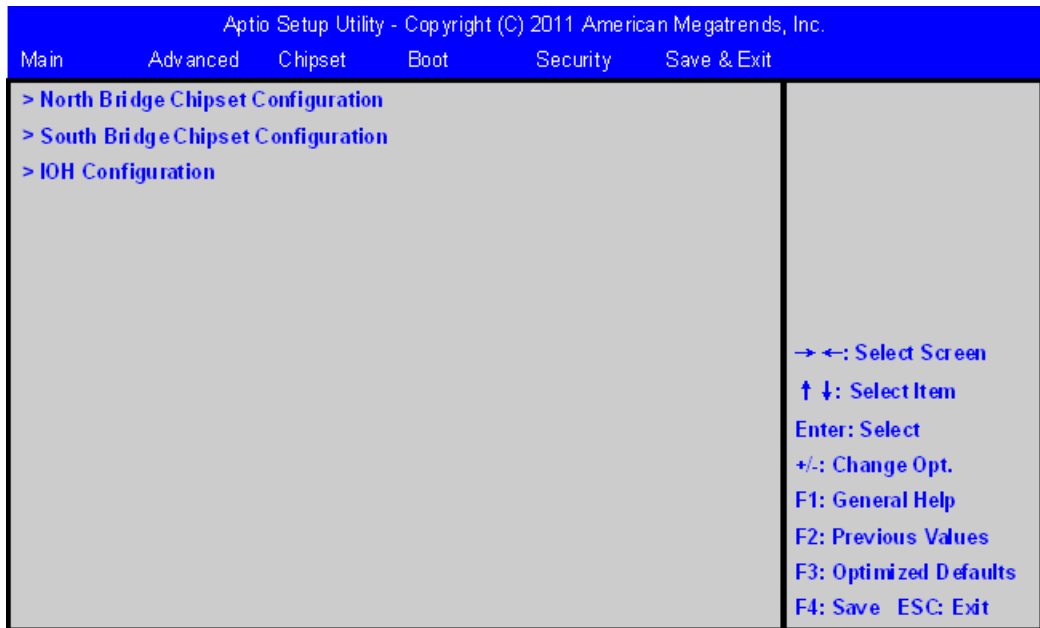


Table 5-15 Chipset Menu Field Descriptions

Field	Description
North Bridge Chipset Configuration	North Bridge Parameters, see Table 5-16 on page 70
South Bridge Chipset Configuration	South Bridge Parameters
IOH Configuration	IOH Configuration Options

Table 5-16 North Bridge Chipset Configuration

Field	Description
North Bridge Chipset Configuration	

Table 5-16 North Bridge Chipset Configuration (continued)

Field	Description
vBIOS Version	2032
IEGD Driver Version	N/A
MSAC Mode Select	Select the size of the graphics memory aperture and untrusted space. Used by the Integrated Graphics Device. Item: Enabled, 512MB; Enabled, 256MB; Enabled, 128MB. Default is "Enabled, 256MB".
IGD - Boot Type	Select the Video Device which will be activated during POST. This has no effect if external graphics present. Items: VBIOS Default, CRT, LVDS, CRT+LVDS. Default is VBIOS Default
Boot Display Configuration	Boot Display Configuration, see Table 5-17 on page 71 This item only shows with LVDS version BIOS, by default, this item is not shown.

Table 5-17 Boot Display Configuration

Field	Description
Boot Display Configuration	
Display Device	Support display device list: DVI CH7307, 800x600 AUO G104SN03, 1024x768 CHI MEI G121X1-L04. The default is the DVI CH7307.



VBIOS supports VESA mode, it could not handle mode 0x123 for display to a non-standard mode such as 1650x1050.

Table 5-18 IOH Configuration

Field	Description
Wake On Lan Configuration	Wake On Lan Configuration settings, see later description

Table 5-19 Wake On Lan Configuration

Field	Description
Wake On Lan	Enable/Disable the WOL, Default is Disabled.
WOL Mode	Select WOL Mode. Items: Wake Up Frame, Magic packet. Default is the Wake Up Frame.
WOL Speed	Select the WOL Speed. Items: 10 Mbps, 100 Mbps, 1000 Mbps. Default is 10 Mbps.

5.4.4 Boot Menu

Figure 5-4 Boot Menu

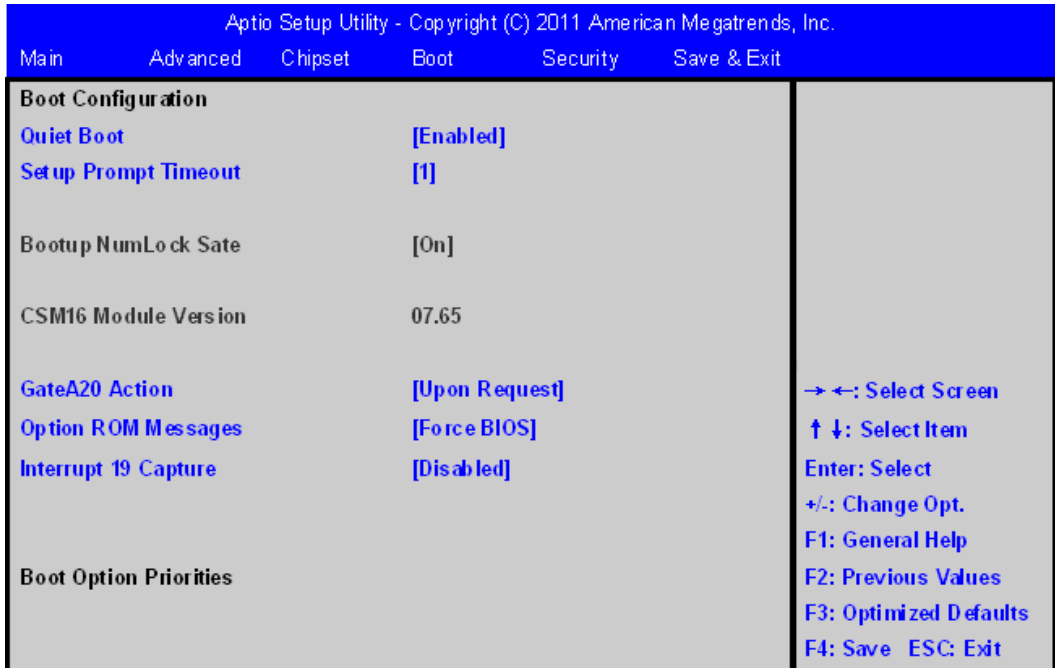


Table 5-20 Boot Menu Field Description

Field	Description
Quiet Boot	Enables/Disables Quiet Boot option. Default is Enabled.
Setup Prompt Timeout	Number of seconds to wait for setup activation key. 65535(0xffff) means indefinite waiting. Default value is 1.
Bootup NumLock State	Select the keyboard NumLock state. Items: On, Off. Default is On.
CSM16 Module Version	Display the CSM version
GateA20 Active	UPON REQUEST - GA20 can be disabled using BIOS services. ALWAYS - do not allow disabling GA20; this option is useful when any RT code is executed above 1MB. Default is Upon Request.
Option ROM Messages	Set display mode for Option ROM. Items: Force BIOS, Keep Current. Default is Force BIOS.
Interrupt 19 Capture	Enabled: Allows Option ROMs to trap Int 19. Items: Enabled, Disabled. Default is Disabled.
Boot Option Priorities	Sets the system boot order.

5.4.5 Security Menu

Figure 5-5 Security Menu

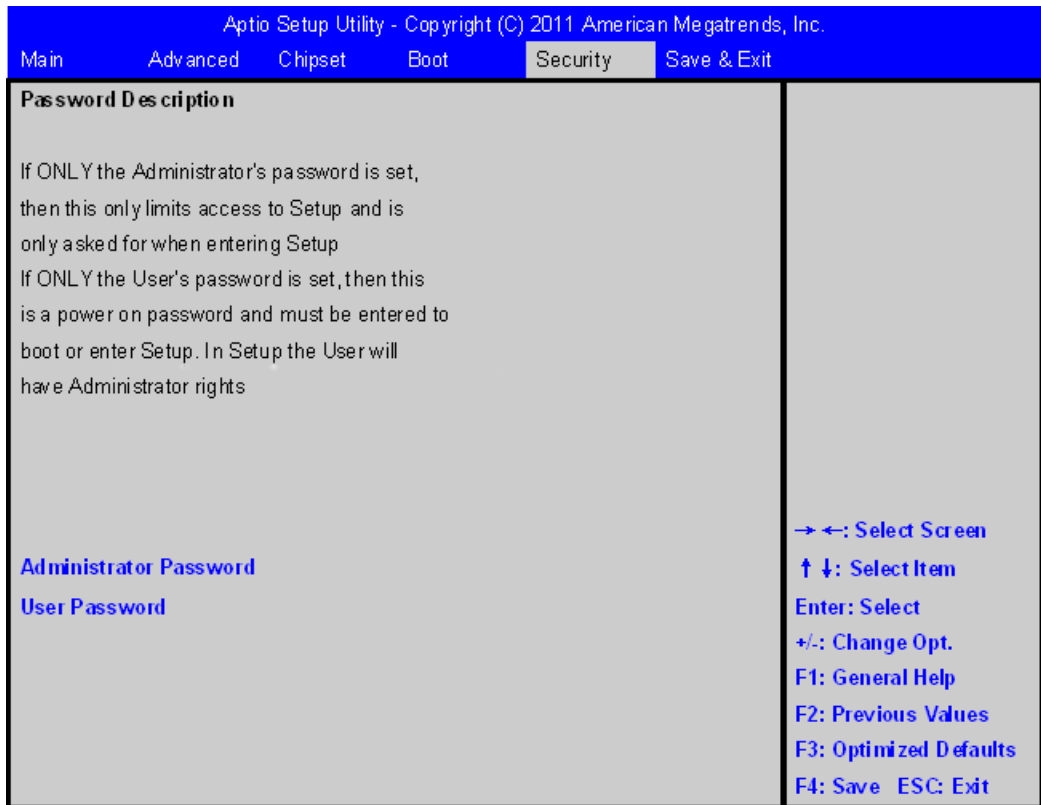


Table 5-21 Security Menu Field Description

Field	Description
Setup Administrator Password	Sets the setup administrator password.
User Password	Sets the setup user password.

5.4.6 Save and Exit Menu

Figure 5-6 Save and Exit Menu

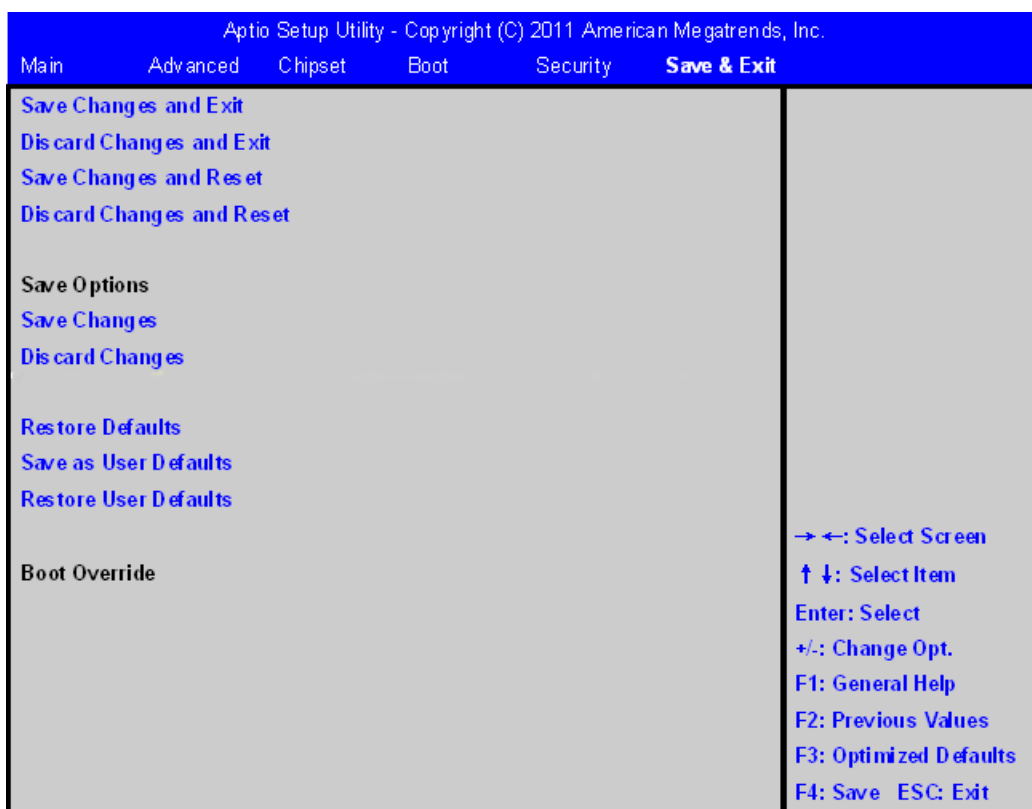


Table 5-22 Save and Exit Menu Field Description

Field	Description
Save Changes and Exit	Exit system setup after saving the changes.
Discard Changes and Exit	Exit system setup without saving any changes.
Save Changes and Reset	Reset the system after saving the changes.
Discard Changes and Reset	Reset system setup without saving any changes.

Table 5-22 Save and Exit Menu Field Description (continued)

Field	Description
Save Changes	Save Changes made so far to any of the setup options.
Discard Changes	Save Changes done so far to any of the setup options.
Restore Defaults	Restore/Load Defaults values for all the setup options.
Save as User Defaults	Save the changes done so far as User Defaults.
Restore User Defaults	Restore the User Defaults to all the setup options.
Boot Override	The options will override the boot orders in 'Boot' menu. So you can freely select the device which you want to boot.

5.5 POST Codes

5.5.1 Status Code Ranges

Table 5-23 Status Code Ranges

Status Code Range	Description
0x01 - 0x0F	SEC Status Codes & Errors
0x10 - 0x2F	PEI execution up to and including memory detection
0x30 - 0x4F	PEI execution after memory detection
0x50 - 0x5F	PEI errors
0x60 - 0xCF	DXE execution up to BDS
0xD0 - 0xDF	DXE errors
0xE0 - 0xE8	S3 Resume (PEI)
0xE9 - 0xEF	S3 Resume errors (PEI)
0xF0 - 0xF8	Recovery (PEI)
0xF9 - 0xFF	Recovery errors (PEI)

5.5.2 Standard Status Codes

5.5.2.1 SEC Status Codes

Table 5-24 SEC Status Codes

Status Code	Description
0x0	Not used
Progress Codes	
0x1	Power on. Reset type detection (soft/hard).
0x2	AP initialization before microcode loading
0x3	North Bridge initialization before microcode loading
0x4	South Bridge initialization before microcode loading
0x5	OEM initialization before microcode loading
0x6	Microcode loading
0x7	AP initialization after microcode loading
0x8	North Bridge initialization after microcode loading
0x9	South Bridge initialization after microcode loading
0xA	OEM initialization after microcode loading
0xB	Cache initialization
SEC Error Codes	
0xC - 0xD	Reserved for future AMI SEC error codes
0xE	Microcode not found
0xF	Microcode not loaded

5.5.2.2 PEI Status Codes

Table 5-25 PEI Status Codes

Status Code	Description
Progress Codes	
0x10	PEI Core is started
0x11	Pre-memory CPU initialization is started
0x12	CPU pre-memory initialization (CPU module specific)
0x13	CPU pre-memory initialization (CPU module specific)
0x14	CPU pre-memory initialization (CPU module specific)
0x15	Pre-memory North Bridge initialization is started
0x16	Pre-Memory North Bridge initialization (North Bridge module specific)
0x17	Pre-Memory North Bridge initialization (North Bridge module specific)
0x18	Pre-Memory North Bridge initialization (North Bridge module specific)
0x19	Pre-memory South Bridge initialization is started
0x1A	Pre-memory South Bridge initialization (South Bridge module specific)
0x1B	Pre-memory South Bridge initialization (South Bridge module specific)
0x1C	Pre-memory South Bridge initialization (South Bridge module specific)
0x1D - 0x2A	OEM pre-memory initialization codes
0x2B	Memory initialization. Serial Presence Detect (SPD) data reading
0x2C	Memory initialization. Memory presence detection
0x2D	Memory initialization. Programming memory timing information
0x2E	Memory initialization. Configuring memory
0x2F	Memory initialization (other).

Table 5-25 PEI Status Codes (continued)

Status Code	Description
0x30	Reserved for ASL (see ASL Status Codes section below)
0x31	Memory Installed
0x32	CPU post-memory initialization is started
0x33	CPU post-memory initialization. Cache initialization
0x34	CPU post-memory initialization. Application Processor(s) (AP) initialization
0x35	CPU post-memory initialization. Boot Strap Processor (BSP) selection
0x36	CPU post-memory initialization. System Management Mode (SMM) initialization
0x37	Post-Memory North Bridge initialization is started
0x38	Post-Memory North Bridge initialization (North Bridge module specific)
0x39	Post-Memory North Bridge initialization (North Bridge module specific)
0x3A	Post-Memory North Bridge initialization (North Bridge module specific)
0x3B	Post-Memory South Bridge initialization is started
0x3C	Post-Memory South Bridge initialization (South Bridge module specific)
0x3D	Post-Memory South Bridge initialization (South Bridge module specific)
0x3E	Post-Memory South Bridge initialization (South Bridge module specific)
0x3F-0x4E	OEM post memory initialization codes
0x4F	DXE IPL is started
PEI Error Codes	
0x50	Memory initialization error. Invalid memory type or incompatible memory speed
0x51	Memory initialization error. SPD reading has failed

Table 5-25 PEI Status Codes (continued)

Status Code	Description
0x52	Memory initialization error. Invalid memory size or memory modules do not match.
0x53	Memory initialization error. No usable memory detected
0x54	Unspecified memory initialization error.
0x55	Memory not installed
0x56	Invalid CPU type or Speed
0x57	CPU mismatch
0x58	CPU self test failed or possible CPU cache error
0x59	CPU micro-code is not found or micro-code update is failed
0x5A	Internal CPU error
0x5B	reset PPI is not available
0x5C-0x5F	Reserved for future AMI error codes
S3 Resume Progress Codes	
0xE0	S3 Resume is started (S3 Resume PPI is called by the DXE IPL)
0xE1	S3 Boot Script execution
0xE2	Video repost
0xE3	OS S3 wake vector call
0xE4-0xE7	Reserved for future AMI progress codes
0xE0	S3 Resume is started (S3 Resume PPI is called by the DXE IPL)
S3 Resume Error Codes	
0xE8	S3 Resume Failed in PEI
0xE9	S3 Resume PPI not Found
0xEA	S3 Resume Boot Script Error
0xEB	S3 OS Wake Error
0xEC-0xEF	Reserved for future AMI error codes
Recovery Progress Codes	
0xF0	Recovery condition triggered by firmware (Auto recovery)

Table 5-25 PEI Status Codes (continued)

Status Code	Description
0xF1	Recovery condition triggered by user (Forced recovery)
0xF2	Recovery process started
0xF3	Recovery firmware image is found
0xF4	Recovery firmware image is loaded
0xF5 - 0xF7	Reserved for future AMI progress codes
Recovery Error Codes	
0xF8	Recovery PPI is not available
0xF9	Recovery capsule is not found
0xFA	Invalid recovery capsule
0xFB - 0xFF	Reserved for future AMI error codes

5.5.2.3 PEI Beep Codes

Table 5-26 PEI Beep Codes

# of Beeps	Description
1	Memory not Installed
1	Memory was installed twice (InstallPeiMemory routine in PEI Core called twice)
3	DXE IPL was not found
3	DXE Core Firmware Volume was not found
7	Reset PPI is not available
4	Recovery failed
4	S3 Resume failed

5.5.2.4 DXE Status Codes

Table 5-27 DXE Status Codes

Status Code	Description
0x60	DXE Core is started
0x61	NVRAM initialization
0x62	Installation of the South Bridge Runtime Services
0x63	CPU DXE initialization is started
0x64	CPU DXE initialization (CPU module specific)
0x65	CPU DXE initialization (CPU module specific)
0x66	CPU DXE initialization (CPU module specific)
0x67	CPU DXE initialization (CPU module specific)
0x68	PCI host bridge initialization
0x69	North Bridge DXE initialization is started
0x6A	North Bridge DXE SMM initialization is started
0x6B	North Bridge DXE initialization (North Bridge module specific)
0x6C	North Bridge DXE initialization (North Bridge module specific)
0x6D	North Bridge DXE initialization (North Bridge module specific)
0x6E	North Bridge DXE initialization (North Bridge module specific)
0x6F	North Bridge DXE initialization (North Bridge module specific)
0x70	South Bridge DXE initialization is started
0x71	South Bridge DXE SMM initialization is started
0x72	South Bridge devices initialization
0x73	South Bridge DXE Initialization (South Bridge module specific)
0x74	South Bridge DXE Initialization (South Bridge module specific)
0x75	South Bridge DXE Initialization (South Bridge module specific)
0x76	South Bridge DXE Initialization (South Bridge module specific)
0x77	South Bridge DXE Initialization (South Bridge module specific)

Table 5-27 DXE Status Codes (continued)

Status Code	Description
0x78	ACPI module initialization
0x79	CSM initialization
0x7A	Reserved for future AMI DXE codes
0x80	OEM DXE initialization codes
0x90	Boot Device Selection (BDS) phase is started
0x91	Driver connecting is started
0x92	PCI Bus initialization is started
0x93	PCI Bus Hot Plug Controller Initialization
0x94	PCI Bus Enumeration
0x95	PCI Bus Request Resources
0x96	PCI Bus Assign Resources
0x97	Console Output devices connect
0x98	Console input devices connect
0x99	Super IO Initialization
0x9A	USB initialization is started
0x9B	USB Reset
0x9C	USB Detect
0x9D	USB Enable
0x9E - 0x9F	Reserved for future AMI codes
0xA0	Reserved for ASL (see ASL Status Codes section below)
0xA1	IDE initialization is started
0xA2	IDE Reset
0xA3	IDE Detect
0xA4	IDE Enable
0xA5	SCSI initialization is started
0xA6	SCSI Reset
0xA7	SCSI Detect

Table 5-27 DXE Status Codes (continued)

Status Code	Description
0xA8	SCSI Enable
0xA9	Setup Verifying Password
0xAA	Reserved for ASL (see ASL Status Codes section below)
0xAB	Start of Setup
0xAC	Setup Input Wait
0xAD	Ready To Boot event
0xAE	Legacy Boot event
0xAF	Exit Boot Services event
0xB0	Runtime Set Virtual Address MAP Begin
0xB1	Runtime Set Virtual Address MAP End
0xB2	Legacy Option ROM Initialization
0xB3	System Reset
0xB4	USB hot plug
0xB5	PCI bus hot plug
0xB6	Clean-up of NVRAM
0xB7	Configuration Reset (reset of NVRAM settings)
0xB8	Reserved for future AMI codes
0xC0	OEM BDS initialization codes
DXE Error Codes	
0xD0	CPU initialization error
0xD1	North Bridge initialization error
0xD2	South Bridge initialization error
0xD3	Some of the Architectural Protocols are not available
0xD4	PCI resource allocation error. Out of Resources
0xD5	No Space for Legacy Option ROM
0xD6	No Console Output Devices are found
0xD7	No Console Input Devices are found

Table 5-27 DXE Status Codes (continued)

Status Code	Description
0xD8	Invalid password
0xD9	Error loading Boot Option (LoadImage returned error)
0xDA	Boot Option is failed (StartImage returned error)
0xDB	Flash update is failed
0xDC	Reset protocol is not available

5.5.2.5 DXE Beep Codes

Table 5-28 DXE Beep Codes

# of Beeps	Description
4	Some of the Architectural Protocols are not available
5	No Console Output Devices are found
5	No Console Input Devices are found
1	Invalid password
6	Flash update is failed
7	Reset protocol is not available

5.5.2.6 CPU Exception Status Codes

Table 5-29 CPU Exception Status Codes

Status Code	Description
0x00	Divide error
0x01	CPU Debug exception
0x02	Non maskable hardware Interrupt occurred
0x03	INT 3 breakpoint

Table 5-29 CPU Exception Status Codes (continued)

Status Code	Description
0x04	Overflow, INT 0 instruction
0x05	Bound Range Exceeded
0x06	Invalid Opcode (undefined Opcode)
0x07	Device Not Available (No Math Co-Processor)
0x08	Double Fault. Any instruction to the CPU that can Generate an NMI or INTR
0x09	Co-Processor Segment Overrun
0x0A	Invalid Task Switch Access
0x0B	Segment not present. Occurs after a load segment
0x0C	Stack Segment Fault. Relations to Stack operations
0x0D	General Protection fault. Any memory reference and other protection checks
0x0E	Page Fault.
0x0F	Reserved by Intel
0x10	Floating Point Error
0x11	Alignment Check
0x12	Machine Check
0x13	SIMD Floating point exception

5.5.2.7 ASL Status Codes

Table 5-30 ASL Status Codes

Status Code	Description
0x01	System is entering S1 sleep state
0x02	System is entering S2 sleep state
0x03	System is entering S3 sleep state
0x04	System is entering S4 sleep state

Table 5-30 ASL Status Codes (continued)

Status Code	Description
0x05	System is entering S5 sleep state
0x10	System is waking up from the S1 sleep state
0x20	System is waking up from the S2 sleep state
0x30	System is waking up from the S3 sleep state
0x40	System is waking up from the S4 sleep state
0xAC	System has transitioned into ACPI mode. Interrupt controller is in PIC mode.
0xAA	System has transitioned into ACPI mode. Interrupt controller is in APIC

5.5.2.8 OEM-reserved Status Code Ranges

Table 5-31 OEM-reserved Status Code Ranges

Status Code	Description
0x5	OEM SEC initialization before microcode loading
0xA	OEM SEC initialization after microcode loading
0x1D - 0x2A	OEM pre-memory initialization codes
0x3F - 0x4E	OEM PEI post memory initialization codes
0x80 - 0x8F	OEM DXE initialization codes
0xC0 - 0xCF	OEM BDS initialization codes

5.6 Boot Order Support

The boot firmware shall be capable of booting an image from eUSB flash, MicroSD and SATA-attached hard disk.

5.7 Windows XP Installation

The Topcliff supports only AHCI mode, hence at the time of Windows XP installation, the AHCI driver must be loaded from the USB floppy. To do this, follow the steps below:

1. Use a USB floppy drive that is included in the Txtsetup.sif file and one that is supported for use with Windows XP installation. Please refer to this link for more information: <http://support.microsoft.com/kb/916196/en-us>
2. Copy the AHCI driver from the CD driver.
3. Unzip the topcliff driver.
4. Open the folder named FD_Inst_WinXP, then copy the following files to the USB floppy disk: iohsata.cat, iohsata.inf, iohsata.sys, and txtsetup.oem.
5. Connect the USB floppy disk driver and install Windows XP.
6. Press the F6 key upon installing Windows XP.
7. Confirm the IOH AHCI driver.
8. Proceed to the installation of Windows XP.

5.8 Graphic Driver

This graphic driver is built by Intel EMGD. It is not the generic driver. DVI output driver is provided. For a dual display setup (VGA+LVDS or DVI+LVDS) or a specific LVDS setup, a customized driver built by the EMGD tool is needed.

5.9 BIOS Update

To update the BIOS, follow the steps listed below:

1. Prepare a DOS bootable USB thumb drive.
2. Get the BIOS flash tool (AFUDOS) from the BIOS vendor.
3. Copy the AFUDOS and BIOS ROM file into the USB thumb drive.

4. Power on the NITX-300-ET-DVI board.
5. Press F2 to enter the BIOS setup menu.
6. Select the USB thumb drive as the first boot device.
7. Save and reset, then the board will boot from the USB thumb drive.
8. Run the command `AFUDOS BIOS.ROM /P /B /N /R` to flash the BIOS.

Operating System and Driver Support

6.1 Supported Operating Systems

It supports the following operating systems:

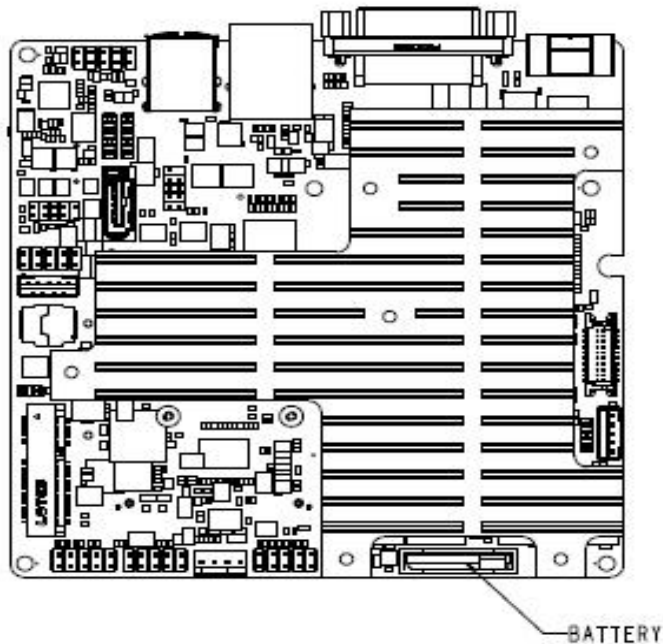
- Microsoft Window XP Professional
- Microsoft Window Embedded Standard 7
- Microsoft Windows Embedded Standard 2009
- Timesys Fedora 14

Replacing the Battery

A.1 Replacing the Battery

The battery location is shown in the following figure.

Figure A-1 Battery Location



The battery provides data retention of seven years summing up all periods of actual data use. Artesyn Embedded Technologies therefore assumes that there usually is no need to exchange the battery except, for example, in case of long-term spare part handling.

NOTICE

Board/System Damage

Incorrect exchange of lithium batteries can result in a hazardous explosion.

When exchanging the onboard lithium battery, make sure that the new and the old battery are exactly the same battery models.

If the respective battery model is not available, contact your local Artesyn sales representative for the availability of alternative, officially approved battery models.

Data Loss

Exchanging the battery can result in loss of time settings. Backup power prevents the loss of data during exchange.

Quickly replacing the battery may save time settings.

Data Loss

If the battery has low or insufficient power the RTC is initialized.

Exchange the battery before seven years of actual battery use have elapsed.

PCB and Battery Holder Damage

Removing the battery with a screw driver may damage the PCB or the battery holder. To prevent damage, do not use a screw driver to remove the battery from its holder.

Exchange Procedure

To exchange the battery, proceed as follows:

1. Remove the old battery from the battery header.
2. Install the new battery on the battery header.
3. Dispose of the old battery in accordance with local laws on environmental safety.

Related Documentation

B.1 Artesyn Embedded Technologies - Embedded Computing Documentation

The publications listed below are referenced in this manual. You can obtain electronic copies of Artesyn Embedded Technologies - Embedded Computing publications by contacting your local Artesyn sales office. For released products, you can also visit our Web site for the latest copies of our product documentation.

1. Go to www.artesyn.com/computing.
2. Under SUPPORT, click **TECHNICAL DOCUMENTATION**.
3. Under FILTER OPTIONS, click the Document types drop-down list box to select the type of document you are looking for.
4. In the **Search** text box, type the product name and click GO.

Table B-1 Artesyn Embedded Technologies - Embedded Computing Publications

Document Title	Publication Number
NITX-300-ET-DVI Quick Start Guide	6806800N98
NITX-300-ET-DVI Safety Notes Summary	6806800N99

Safety Notes

This section provides warnings that precede potentially dangerous procedures throughout this manual. Instructions contained in the warnings must be followed during all phases of operation, service, and repair of this equipment. You should also employ all other safety precautions necessary for the operation of the equipment in your operating environment. Failure to comply with these precautions or with specific warnings elsewhere in this manual could result in personal injury or damage to the equipment.

Artesyn intends to provide all necessary information to install and handle the product in this manual. Because of the complexity of this product and its various uses, we do not guarantee that the given information is complete. If you need additional information, ask your Artesyn representative.

The product has been designed to meet the standard industrial safety requirements. It must not be used except in its specific area of office telecommunication industry and industrial control.

Only personnel trained by Artesyn or persons qualified in electronics or electrical engineering are authorized to install, remove or maintain the product.

The information given in this manual is meant to complete the knowledge of a specialist and must not be used as replacement for qualified personnel.

Keep away from live circuits inside the equipment. Operating personnel must not remove equipment covers. Only Factory Authorized Service Personnel or other qualified service personnel may remove equipment covers for internal subassembly or component replacement or any internal adjustment.

Do not install substitute parts or perform any unauthorized modification of the equipment or the warranty may be voided. Contact your local Artesyn representative for service and repair to make sure that all safety features are maintained.

EMC

This equipment has been tested and found to comply with the limits for a Class B digital device, pursuant to Part 15 of the FCC Rules. These limits are designed to provide reasonable protection against harmful interference when the equipment is operated in a commercial environment. This equipment generates, uses, and can radiate radio frequency energy and, if not installed and used in accordance with the instruction manual, may cause harmful interference to radio communications.

Operation of this equipment in a residential area is likely to cause harmful interference in which case the user will be required to correct the interference at his own expense. Changes or modifications not expressly approved by Artesyn Embedded Technologies could void the user's authority to operate the equipment. Board products are tested in a representative system to show compliance with the above mentioned requirements. A proper installation in a compliant system will maintain the required performance. Use only shielded cables when connecting peripherals to assure that appropriate radio frequency emissions compliance is maintained.

Operation

Product Damage

High humidity and condensation on the board surface causes short circuits.

Do not operate the board outside the specified environmental limits.

Make sure the board is completely dry and there is no moisture on any surface before applying power.

Damage of Circuits

Electrostatic discharge and incorrect installation and removal can damage circuits or shorten their life.

Before touching the board or electronic components, make sure that you are working in an ESD-safe environment.

Board Malfunction

Switches marked as “reserved” might carry production-related functions and can cause the board to malfunction if their setting is changed.

Do not change settings of switches marked as “reserved”. The setting of switches which are not marked as “reserved” has to be checked and changed before board installation.

Installation

Data Loss

Powering down or removing a board before the operating system or other software running on the board has been properly shut down may cause corruption of data or file systems.

Make sure all software is completely shut down before removing power from the board or removing the board from the chassis.

Product Damage

Only use injector handles for board insertion to avoid damage to the front panel and/or PCB. Deformation of the front panel can cause an electrical short or other board malfunction.

Product Damage

Inserting or removing modules with power applied may result in damage to module components.

Before installing or removing additional devices or modules, read the documentation that came with the product.

Cabling and Connectors

Product Damage

RJ-45 connectors on modules are either twisted-pair Ethernet (TPE) or E1/T1/J1 network interfaces. Connecting an E1/T1/J1 line to an Ethernet connector may damage your system.

- Make sure that TPE connectors near your working area are clearly marked as network connectors.
- Verify that the length of an electric cable connected to a TPE bushing does not exceed 100 meters.
- Make sure the TPE bushing of the system is connected only to safety extra low voltage circuits (SELV circuits).

If in doubt, ask your system administrator.

Battery

Board/System Damage

Incorrect exchange of lithium batteries can result in a hazardous explosion.

When exchanging the onboard lithium battery, make sure that the new and the old battery are exactly the same battery models.

If the respective battery model is not available, contact your local Artesyn sales representative for the availability of alternative, officially approved battery models.

Data Loss

Exchanging the battery can result in loss of time settings. Backup power prevents the loss of data during exchange.

Quickly replacing the battery may save time settings.

Data Loss

If the battery has low or insufficient power the RTC is initialized.

Exchange the battery before seven years of actual battery use have elapsed.

PCB and Battery Holder Damage

Removing the battery with a screw driver may damage the PCB or the battery holder. To prevent damage, do not use a screw driver to remove the battery from its holder.

Dieses Kapitel enthält Hinweise, die potentiell gefährlichen Prozeduren innerhalb dieses Handbuchs vorrangestellt sind. Beachten Sie unbedingt in allen Phasen des Betriebs, der Wartung und der Reparatur des Systems die Anweisungen, die diesen Hinweisen enthalten sind. Sie sollten außerdem alle anderen Vorsichtsmaßnahmen treffen, die für den Betrieb des Produktes innerhalb Ihrer Betriebsumgebung notwendig sind. Wenn Sie diese Vorsichtsmaßnahmen oder Sicherheitshinweise, die an anderer Stelle dieses Handbuchs enthalten sind, nicht beachten, kann das Verletzungen oder Schäden am Produkt zur Folge haben.

Artesyn Embedded Technologies ist darauf bedacht, alle notwendigen Informationen zum Einbau und zum Umgang mit dem Produkt in diesem Handbuch bereit zu stellen. Da es sich jedoch um ein komplexes Produkt mit vielfältigen Einsatzmöglichkeiten handelt, können wir die Vollständigkeit der im Handbuch enthaltenen Informationen nicht garantieren. Falls Sie weitere Informationen benötigen sollten, wenden Sie sich bitte an die für Sie zuständige Geschäftsstelle von Artesyn Embedded Technologies.

Das System erfüllt die für die Industrie geforderten Sicherheitsvorschriften und darf ausschließlich für Anwendungen in der Telekommunikationsindustrie und im Zusammenhang mit Industriesteuerungen verwendet werden.

Einbau, Wartung und Betrieb dürfen nur von durch Artesyn Embedded Technologies ausgebildetem oder im Bereich Elektronik oder Elektrotechnik qualifiziertem Personal durchgeführt werden. Die in diesem Handbuch enthaltenen Informationen dienen ausschließlich dazu, das Wissen von Fachpersonal zu ergänzen, können dieses jedoch nicht ersetzen.

Halten Sie sich von stromführenden Leitungen innerhalb des Produktes fern. Entfernen Sie auf keinen Fall Abdeckungen am Produkt. Nur werksseitig zugelassenes Wartungspersonal oder anderweitig qualifiziertes Wartungspersonal darf Abdeckungen entfernen, um Komponenten zu ersetzen oder andere Anpassungen vorzunehmen.

Installieren Sie keine Ersatzteile oder führen Sie keine unerlaubten Veränderungen am Produkt durch, sonst verfällt die Garantie. Wenden Sie sich für Wartung oder Reparatur bitte an die für Sie zuständige Geschäftsstelle von Artesyn Embedded Technologies. So stellen Sie sicher, dass alle sicherheitsrelevanten Aspekte beachtet werden.

EMV

Das Produkt wurde in einem Artesyn Standardsystem getestet. Es erfüllt die für digitale Geräte der Klasse B gültigen Grenzwerte in einem solchen System gemäß den FCC-Richtlinien Abschnitt 15 bzw. EN 55022 Klasse B. Diese Grenzwerte sollen einen angemessenen Schutz vor Störstrahlung beim Betrieb des Produktes in Gewerbe- sowie Industriegebieten gewährleisten.

Das Produkt arbeitet im Hochfrequenzbereich und erzeugt Störstrahlung. Bei unsachgemäßem Einbau und anderem als in diesem Handbuch beschriebenen Betrieb können Störungen im Hochfrequenzbereich auftreten.

Wird das Produkt in einem Wohngebiet betrieben, so kann dies mit grosser Wahrscheinlichkeit zu starken Störungen führen, welche dann auf Kosten des Produktanwenders beseitigt werden müssen. Änderungen oder Modifikationen am Produkt, welche ohne ausdrückliche Genehmigung von Artesyn Embedded Technologies durchgeführt werden, können dazu führen, dass der Anwender die Genehmigung zum Betrieb des Produktes verliert.

Boardprodukte werden in einem repräsentativen System getestet, um zu zeigen, dass das Board den oben aufgeführten EMV-Richtlinien entspricht. Eine ordnungsgemässe Installation in einem System, welches die EMV-Richtlinien erfüllt, stellt sicher, dass das Produkt gemäss den EMV-Richtlinien betrieben wird. Verwenden Sie nur abgeschirmte Kabel zum Anschluss von Zusatzmodulen. So ist sichergestellt, dass sich die Aussendung von Hochfrequenzstrahlung im Rahmen der erlaubten Grenzwerte bewegt.

Warnung! Dies ist eine Einrichtung der Klasse A. Diese Einrichtung kann im Wohnbereich Funkstörungen verursachen. In diesem Fall kann vom Betreiber verlangt werden, angemessene Maßnahmen durchzuführen.

Betrieb

1 Beschädigung des Produktes

Hohe Luftfeuchtigkeit und Kondensat auf der Oberfläche des Produktes können zu Kurzschlüssen führen.

Betreiben Sie das Produkt nur innerhalb der angegebenen Grenzwerte für die relative Luftfeuchtigkeit und Temperatur. Stellen Sie vor dem Einschalten des Stroms sicher, dass sich auf dem Produkt kein Kondensat befindet.

Beschädigung von Schaltkreisen

Elektrostatische Entladung und unsachgemäßer Ein- und Ausbau des Produktes kann Schaltkreise beschädigen oder ihre Lebensdauer verkürzen.

Bevor Sie das Produkt oder elektronische Komponenten berühren, vergewissern Sie sich, daß Sie in einem ESD-geschützten Bereich arbeiten.

Fehlfunktion des Produktes

Schalter, die mit 'Reserved' gekennzeichnet sind, können mit produktionsrelevanten Funktionen belegt sein. Das Ändern dieser Schalter kann im normalen Betrieb Störungen auslösen.

Verstellen Sie nur solche Schalter, die nicht mit 'Reserved' gekennzeichnet sind. Prüfen und ggf. ändern Sie die Einstellungen der nicht mit 'Reserved' gekennzeichneten Schalter, bevor Sie das Produkt installieren.

Installation

Datenverlust

Das Herunterfahren oder die Deinstallation eines Boards bevor das Betriebssystem oder andere auf dem Board laufende Software ordnungsmässig beendet wurde, kann zu partiellem Datenverlust sowie zu Schäden am Filesystem führen.

Stellen Sie sicher, dass sämtliche Software auf dem Board ordnungsgemäss beendet wurde, bevor Sie das Board herunterfahren oder das Board aus dem Chassis entfernen.

Beschädigung des Produktes

Fehlerhafte Installation des Produktes kann zu einer Beschädigung des Produktes führen.

Verwenden Sie die Handles, um das Produkt zu installieren/deinstallieren. Auf diese Weise vermeiden Sie, dass das Face Plate oder die Platine deformiert oder zerstört wird.

Beschädigung des Produktes und von Zusatzmodulen

Fehlerhafte Installation von Zusatzmodulen, kann zur Beschädigung des Produktes und der Zusatzmodule führen.

Lesen Sie daher vor der Installation von Zusatzmodulen die zugehörige Dokumentation.

Kabel und Stecker

Beschädigung des Produktes

Bei den RJ-45-Steckern, die sich an dem Produkt befinden, handelt es sich entweder um Twisted-Pair-Ethernet (TPE) oder um E1/T1/J1-Stecker. Beachten Sie, dass ein versehentliches Anschließen einer E1/T1/J1-Leitung an einen TPE-Stecker das Produkt zerstören kann.

- Kennzeichnen Sie deshalb TPE-Anschlüsse in der Nähe Ihres Arbeitsplatzes deutlich als Netzwerkanschlüsse.
- Stellen Sie sicher, dass die Länge eines mit Ihrem Produkt verbundenen TPE-Kabels 100 m nicht überschreitet.
- Das Produkt darf über die TPE-Stecker nur mit einem Sicherheits-Kleinspannungs-Stromkreis (SELV) verbunden werden.

Bei Fragen wenden Sie sich an Ihren Systemverwalter.

Batterie

Beschädigung des Blades

Ein unsachgemäßer Einbau der Batterie kann gefährliche Explosionen und Beschädigungen des Blades zur Folge haben.

Verwenden Sie deshalb nur den Batterietyp, der auch bereits eingesetzt wurde und befolgen Sie die Installationsanleitung.

Datenverlust

Wenn Sie die Batterie austauschen, können die Zeiteinstellungen verloren gehen. Eine Backupversorgung verhindert den Datenverlust während des Austauschs. Wenn Sie die Batterie schnell austauschen, bleiben die Zeiteinstellungen möglicherweise erhalten.

Datenverlust

Wenn die Batterie wenig oder unzureichend mit Spannung versorgt wird, wird der RTC initialisiert.

Tauschen Sie die Batterie aus, bevor sieben Jahre tatsächlicher Nutzung vergangen sind.

Schäden an der Platine oder dem Batteriehalter

Wenn Sie die Batterie mit einem Schraubendreher entfernen, können die Platine oder der Batteriehalter beschädigt werden.

Um Schäden zu vermeiden, sollten Sie keinen Schraubendreher zum Ausbau der Batterie verwenden.

Umweltschutz

Entsorgen Sie alte Batterien und/oder Blades/Systemkomponenten/RTMs stets gemäß der in Ihrem Land gültigen Gesetzgebung, wenn möglich immer umweltfreundlich.



Artesyn Embedded Technologies, Artesyn and the Artesyn Embedded Technologies logo are trademarks and service marks of Artesyn Embedded Technologies, Inc. All other product or service names are the property of their respective owners.

© 2014 Artesyn Embedded Technologies, Inc.