

Features

- 6th Generation Intel® Core™/Celeron™ U Series Processor (Code Name : Skylake)
- Onboard Memory DDR4 2133, up to 4GB
- Intel I219LM Gigabit Ethernet x 1
- 18/24-bit Single-Channel LVDS LCDs/eDP, DDI x 1
- High Definition Audio Interface
- SATA3 x 2
- USB 3.2 Gen 1 x 2, USB2.0 x 8
- PCIe [x1] x 4
- COM Express Mini Size, Type 10, COM.0 R2.1



Specifications

System	
Form Factor	COM Express Mini size, Type 10
CPU	6th Generation Intel® Core™/Celeron™ U Series Processor
CPU Frequency	Up to i7-6600U, 2.60GHz
Chipset	6th Generation Intel® Core™/Celeron™ U Series SoC
Memory Type	Onboard DDR4-2133
Max. Memory Capacity	Up to 4GB
BIOS	AMI BIOS, Legacy free
Wake on LAN	Yes
Watchdog Timer	255 Levels
Power Requirement	Standard : +12V
Power Supply Type	AT/ATX
Power Consumption (Typical)	1.52A@12V, full load, i7-6600U (CPU set as 15W, CPU Frequency may be changed accordingly.)
Dimension (L x W)	3.31" x 2.17" (84mm x 55mm)
Operating Temperature	32°F ~ 140°F (0°C ~ 60°C) -40°F ~ 185°F (-40°C ~ 85°C) Optional
Storage Temperature	-40°F ~ 185°F (-40°C ~ 85°C)
Operating Humidity	0% ~ 90% relative humidity, non-condensing
MTBF (Hours)	108,671
Certification	CE/FCC Class A
Display	
VGA/LCD Controller	Intel® HD Graphics 520/510
Video Output	Dual Display : LVDS LCD/eDP, DDI x 1 Single Channel LVDS (18/24 bit)
I/O	
Ethernet	Intel® I219LM GbE x 1
Audio	High Definition Audio Interface
USB Port	USB 2.0 x 8, USB 3.2 Gen 1 x 2
Serial Port	2Wire UART(Tx/Rx) x 2
HDD Interface	SATA 3 x 2
Expansion	PCIe [x1] x 4 (up to 4 devices) LPC SMBus I2C
GPIO	8-bit
Onboard Storage	—
TPM	fTPM

Packing List

- NANOCOM-SKU

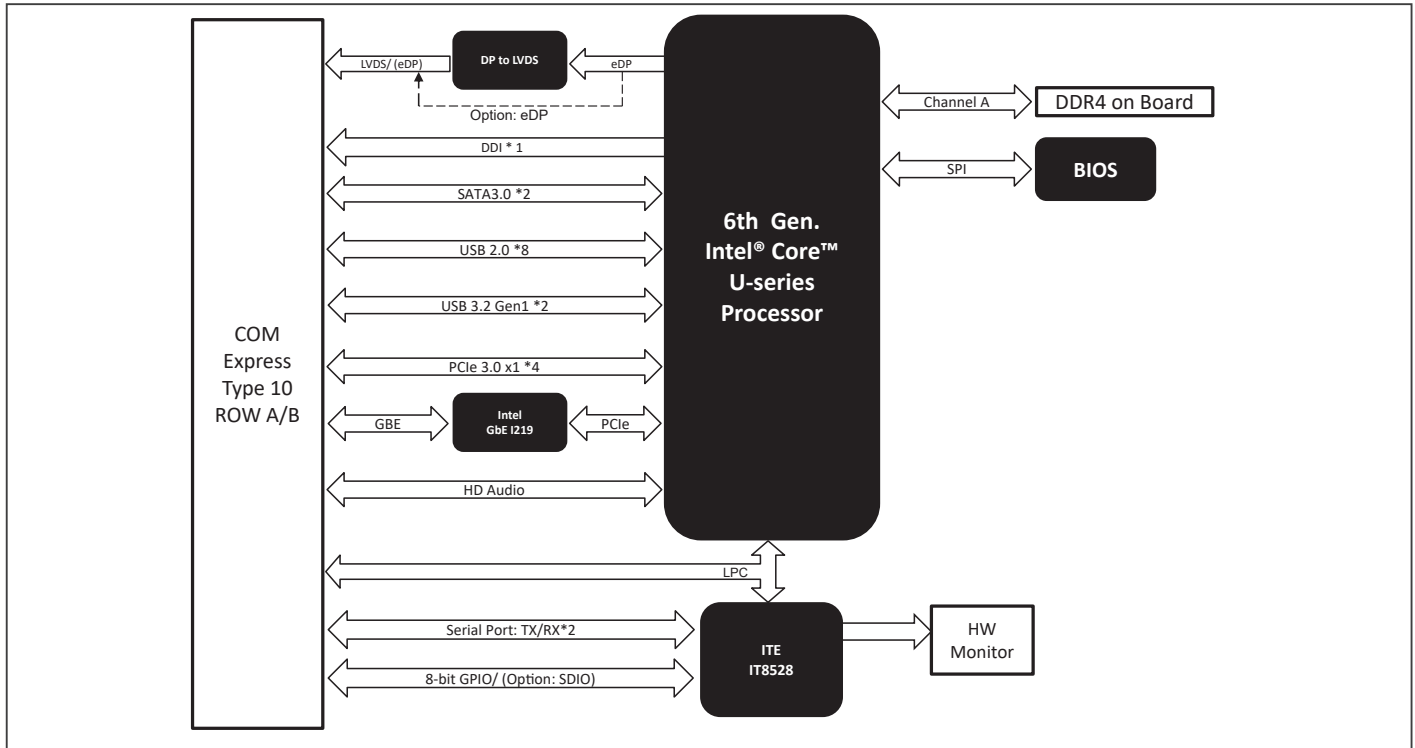
Optional Accessories

- **ECB-920A-A11-0001**
COMe Type 6/10.Carrier Board.ATX.2.5GbE.8USB.2COM.4SATA.PCIe.AT/ATX.Rev.A1.1
- **NANOCOM-SKU-HSP01**
Heat Spreader, 84 x 55 x 11 mm, Black, NanoCOM-SKU
- **NANOCOM-FAN02**
CPU cooler.84*53*22.2 mm.Silver.use w/HSP

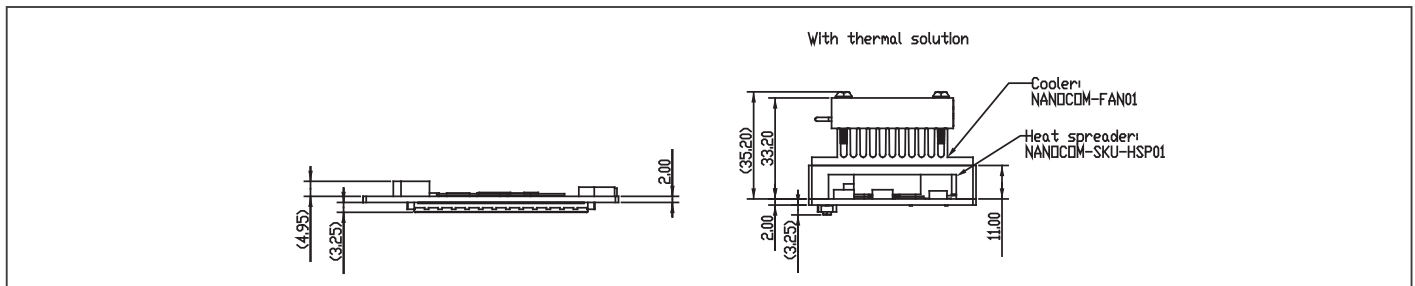
CPU Support Chart

CPU	Core/Thread	Base Frequency/Turbo	TDP	Graphic
i7-6600U	2C/4T	2.60GHz / 3.40GHz	15W	Intel® HD Graphics 520
i5-6300U	2C/4T	2.40GHz / 3.00GHz	15W	Intel® HD Graphics 520
i3-6100U	2C/4T	2.30GHz	15W	Intel® HD Graphics 520
Celeron 3955U	2C/2T	2.00GHz	15W	Intel® HD Graphics 510

Block Diagram Unit: mm



Dimension Unit: mm



Ordering Information

PART NUMBER	COM EXPRESS TYPE	CPU	MEMORY	DISPLAY	LVDS	STORAGE	LAN	USB	UART	EXPANSION	POWER	TEMPERATURE	OTHERS
NANOCOM-SKU-A10-0001	Type 10 (COM.0 Rev. 2.1)	i7-6600U	Onboard DDR4 4GB	LVDS, DDI x1	18/24bits 1CH LVDS	SATA3 x 2	GbE x 1	USB 3.2 Gen 1 x 2 USB 2.0 x 8	2 (Tx/Rx)	PCIe [x1] x 4	12V	0°C - 60°C	LPC, SMBus, I2C
NANOCOM-SKU-A10-0002	Type 10 (COM.0 Rev. 2.1)	i5-6300U	Onboard DDR4 4GB	LVDS, DDI x1	18/24bits 1CH LVDS	SATA3 x 2	GbE x 1	USB 3.2 Gen 1 x 2 USB 2.0 x 8	2 (Tx/Rx)	PCIe [x1] x 4	12V	0°C - 60°C	LPC, SMBus, I2C
NANOCOM-SKU-A10-0003	Type 10 (COM.0 Rev. 2.1)	i3-6100U	Onboard DDR4 4GB	LVDS, DDI x1	18/24bits 1CH LVDS	SATA3 x 2	GbE x 1	USB 3.2 Gen 1 x 2 USB 2.0 x 8	2 (Tx/Rx)	PCIe [x1] x 4	12V	0°C - 60°C	LPC, SMBus, I2C