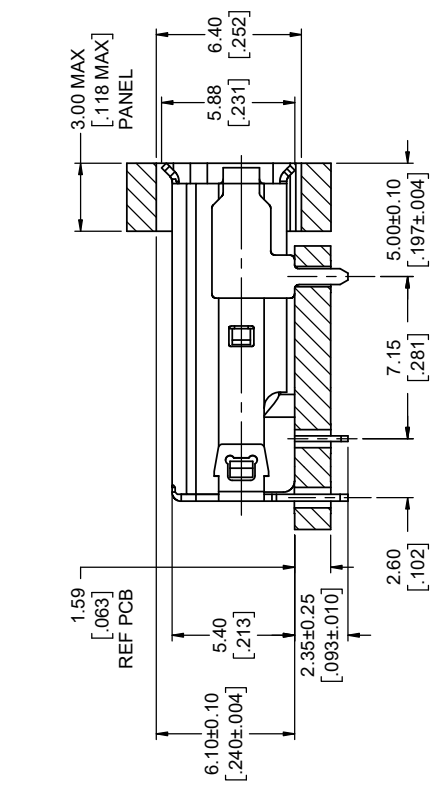
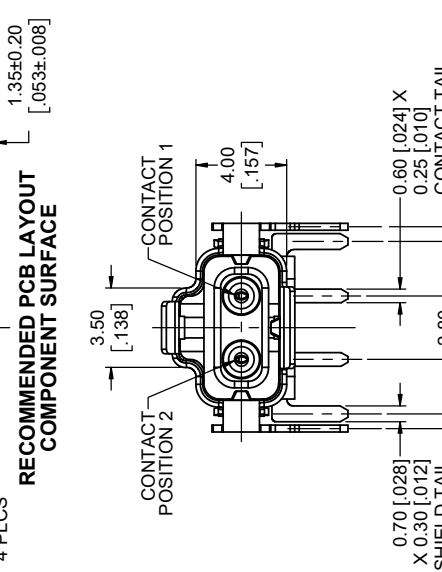
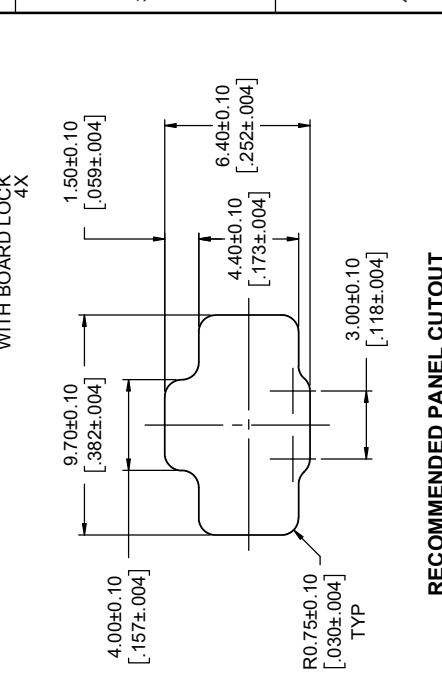
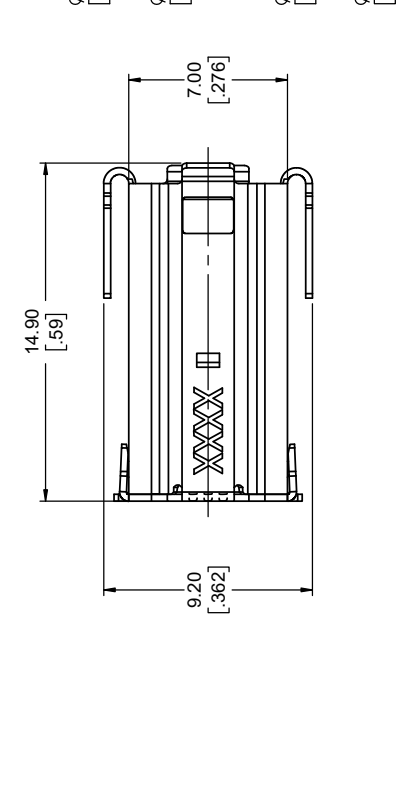
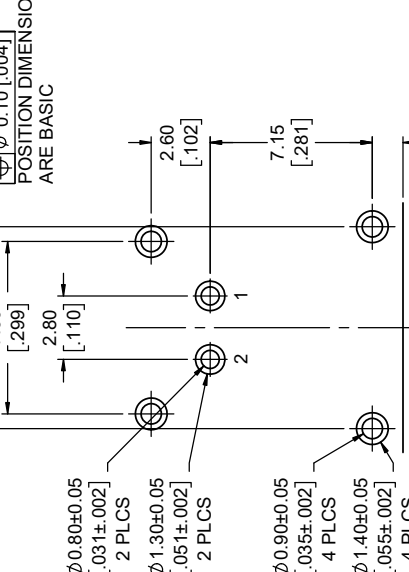
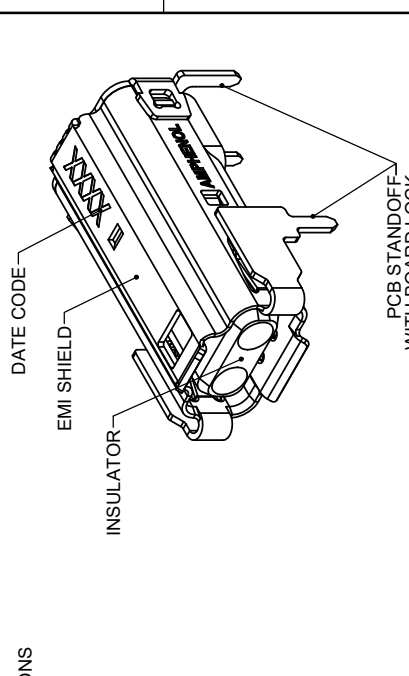


REV		DESCRIPTION, ECN, EAR NO.		DATE		APP'D	
C		PRODUCT DRAWING (EAR 14781)		JUN01/20		M.P.	
D		PRODUCT DRAWING (EAR 14903)		JUL13/21		M.P.	

REV		DESCRIPTION, ECN, EAR NO.		DATE		APP'D	
C		PRODUCT DRAWING (EAR 14781)		JUN01/20		M.P.	
D		PRODUCT DRAWING (EAR 14903)		JUL13/21		M.P.	

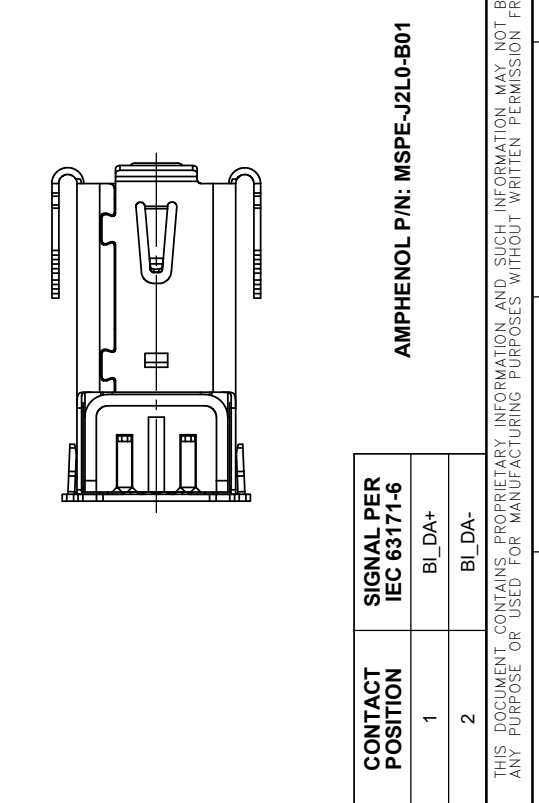


RECOMMENDED PCB LAYOUT COMPONENT SURFACE

RECOMMENDED PANEL CUTOUT

NOTES:

- MATERIALS: ALL MATERIALS ARE RoHS COMPLIANT PER EU DIRECTIVE 2011/65/EU AND AMENDMENTS.
 - EMI SHIELD: STAINLESS STEEL PLATED WITH MATTE TIN OVER NICKEL
 - CONTACTS: COPPER ALLOY PLATED WITH NICKEL OVERALL, 0.76µm (30u") GOLD ON THE MATING AREA, AND MATTE TIN ON THE TAILS
 - INSULATOR: ENGINEERING THERMOPLASTIC, UL94V-0 FLAMMABILITY RATING, COLOUR: BLACK
- DESIGNED IN ACCORDANCE WITH IEC STANDARD 63171-6.
 - DATA TRANSMISSION WITH FREQUENCIES UP TO 600 MHz
 - COMPATIBLE WITH 10BASE-T1, 100BASE-T1, & 1000BASE-T1
- ELECTRICAL CHARACTERISTICS:
 - CURRENT RATING: 4A
 - VOLTAGE RATING: 60VDC MAX
 - CONTACT RESISTANCE: 20mΩ MAX
- OPERATING TEMPERATURE: -40°C TO +85°C



CONTACT POSITION	SIGNAL PER IEC 63171-6
1	BL_DA+
2	BI_DA-

UNLESS SPECIFIED OTHERWISE	DRAWN	M. PAHULJE	MAY31/19
PRIMARY UNITS	MILLIMETRES	CHECKED	
SECONDARY UNITS	INCHES (M.E. APP'D)		
REFERENCE IN PARENTHESES (O.A. APP'D)			
GENERAL TOLERANCES	DWG APPR.		
1 DECIMAL PLACES	ENG. REL. NO.	EAR 14781	
2 DECIMAL PLACES	REF.		
3 DECIMAL PLACES	THIRD ANGLE PROJECTION		
ANGULAR DEGREES			

AMPHENOL P/N: MSPE-J2L0-B01

Amphenol Canada Corp.
Commercial Products

MSPE SERIES: IP20 JACK, LATCH-LOCKING, RIGHT ANGLE PCB TERMINATION FOR PIN-IN-PASTE APPLICATIONS, RoHS COMPLIANT

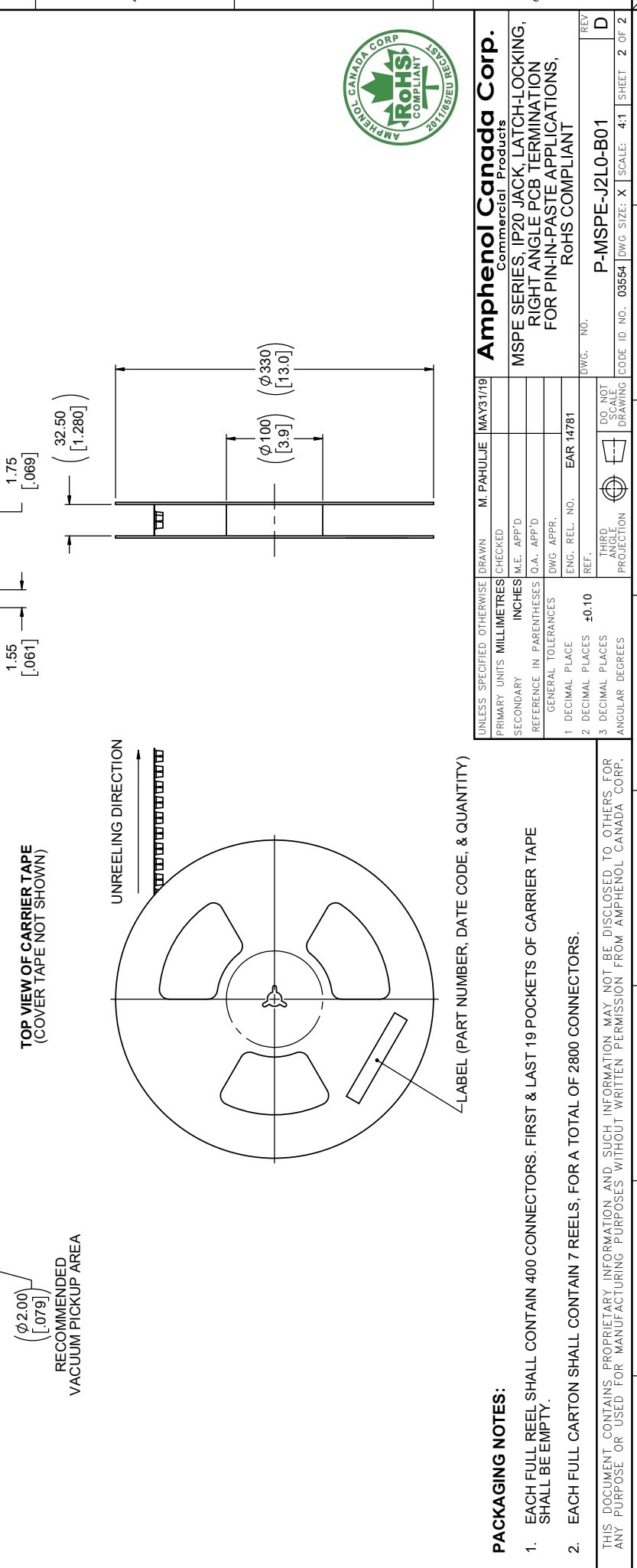
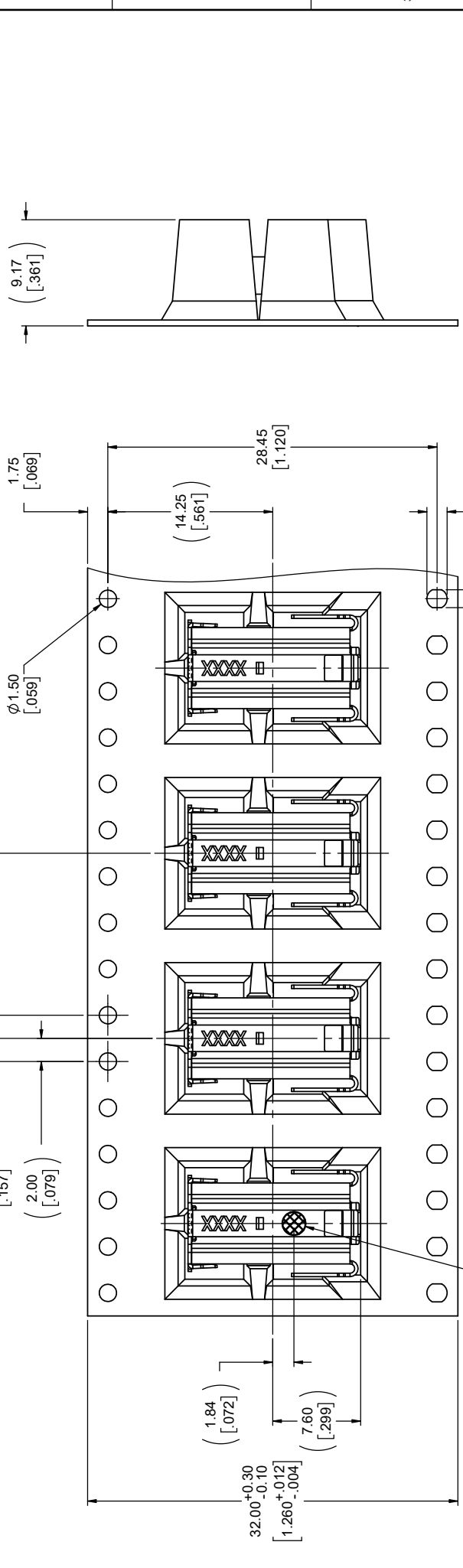
DWG. NO. P-MSPE-J2L0-B01
CODE ID NO. 03554 DWG SIZE: X SCALE: 6:1 SHEET 1 OF 2

THIS DOCUMENT CONTAINS PROPRIETARY INFORMATION AND SUCH INFORMATION MAY NOT BE DISCLOSED TO OTHERS FOR ANY PURPOSE OR USED FOR MANUFACTURING PURPOSES WITHOUT WRITTEN PERMISSION FROM AMPHENOL CANADA CORP.

REVISIONS			
REV	DESCRIPTION, ECN, EAR NO.	DATE	APP'D
C	PRODUCT DRAWING (EAR 14781)	JUN01/20	M.P.
D	PRODUCT DRAWING (EAR 14903)	JUL13/21	M.P.

UNLESS SPECIFIED OTHERWISE	OTHERWISE DRAWN	M. PAHULJE	MAY31/19
PRIMARY UNITS	MILLIMETRES	CHECKED	
SECONDARY UNITS	INCHES	M.E. APP'D	
REFERENCE	IN PARENTHESES	D.A. APP'D	
GENERAL TOLERANCES	DWG APPR.		
1 DECIMAL PLACE	ENG. REL. NO. EAR 14781		
2 DECIMAL PLACES	REF.		
3 DECIMAL PLACES	THIRD ANGLE PROJECTION		
ANGULAR DEGREES	DOC. NOT A DRAWING		

Downloaded from Arrow.com



PACKAGING NOTES:

- EACH FULL REEL SHALL CONTAIN 400 CONNECTORS. FIRST & LAST 19 POCKETS OF CARRIER TAPE SHALL BE EMPTY.
- EACH FULL CARTON SHALL CONTAIN 7 REELS, FOR A TOTAL OF 2800 CONNECTORS.

THIS DOCUMENT CONTAINS PROPRIETARY INFORMATION AND SUCH INFORMATION MAY NOT BE DISCLOSED TO OTHERS FOR ANY PURPOSE OR USED FOR MANUFACTURING PURPOSES WITHOUT WRITTEN PERMISSION FROM AMPHENOL CANADA CORP.

Amphenol Canada Corp.
Commercial Products

MSPE SERIES, IP20 JACK, LATCH-LOCKING,
RIGHT ANGLE PCB TERMINATION
FOR PIN-IN-PASTE APPLICATIONS,
RoHS COMPLIANT

DWG. NO. P-MSPE-J2L0-B01

CODE ID NO. 03554 DWG SIZE: X SCALE: 4:1 SHEET 2 OF 2

