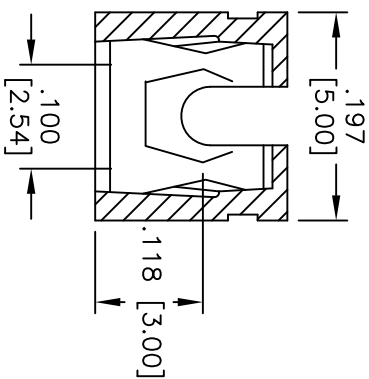
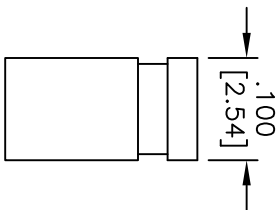
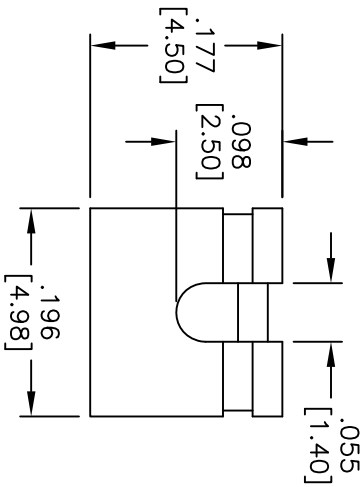
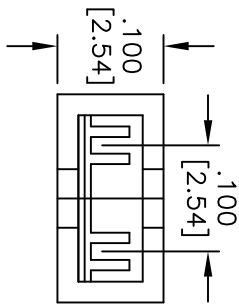


APPROVED: _____
 DATE: _____ TITLE: _____

Rev	AWO #	Description	Date	Appr
-		RELEASED	4/6/05	
A		REDRAWN	6/1/15	AV/NP



SPECIFICATIONS:

Material:
 Insulator: PBT, glass reinforced, rated UL 94V-0
 Insulator color: Black
 Contacts: Phosphor Bronze
 Plating:
 G = Gold flash over Nickel underplate overall
 T = Tin over Copper underplate overall

Electrical:

Current rating: 3 Amp max
 Contact resistance: 30 mohms max
 Insulation resistance: 1,000 Mohms min
 Dielectric withstanding voltage: 650 VAC for 1 minute
 Temperature Rating:
 Operating temperature: -55°C to +105°C
 Environmental:
 Lead free, RoHS compliant

ADAM TECH

909 Railway Avenue, Union, NJ 07083
 Phone: 908-687-5000 Fax: 908-687-5710

TITLE
 .100 [2.54] MINI SHUNT, OPEN TOP
 .177 [4.50] HEIGHT

UNLESS OTHERWISE SPECIFIED ALL DIMENSIONS ARE INCHES [MM]	
TOLERANCES: EXCEPT AS NOTED	
INCHES	HOLES
.X ± .10	ØX ± .10
.XX ± .020	ØXXX ± .015
.XXX ± .015	ØXXX ± .010
APPROVALS	DATE
DRAWN SS	4/6/05
CHECKED	
APPROVED	

SIZE	PART NO.	REV.
X	MSC-X	A
REF: S00076T	SCALE: NTS	SHEET 1 OF 1

