

Windy

The Windy Module is an IoT module with onboard uFL connector based on the ST Microelectronics **STM32WL**, System-On-Chip integrates both a general purpose microcontroller and a sub-GHz radio on the same chip. Built on an Arm® Cortex®-M4 core architecture, STM32WL microcontrollers also support multiple modulations – LoRa®, (G)FSK, (G)MSK, BPSK – to ensure flexibility in wireless applications with **LoRaWAN®** , **Sigfox®** or any other suitable protocol in a fully open way.



Windy module feature a sub-GHz radio based-on Semtech SX126x to meet the requirements of a wide range of Low-Power Wide Area Network (LPWAN) wireless applications in industrial and consumer Internet-of-Things (IoT).

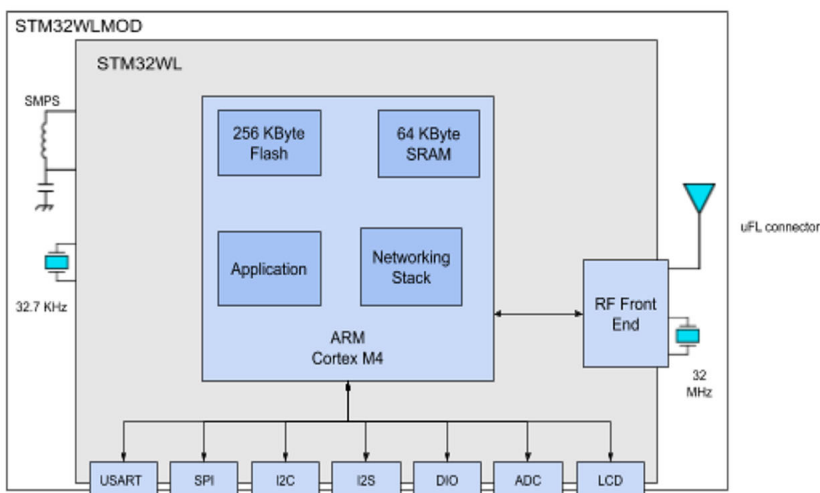
MAIN FEATURES

1. Based on STM32WLE5J8I6
2. Feature a sub-GHz radio based-on Semtech SX126x
3. Based on STM32L4 core (Arm ® Cortex ® -M4)
4. Modulation: LoRa®, (G)FSK, (G)MSK and BPSK
5. Frequency range: 150 MHz to 960 MHz
6. uFL connector for external antenna

SPECIFICATION

Supply Voltage :	1.8V to 3.6V
Receiver Sensitivity	-123 dBm (2-FSK) -148 LoRa®
Output Power	+22 dBm
Working Temperature	-10°C to 85°C
Consumption	
Standby	360 nA
Shutdown mode	31 nA

BLOCK DIAGRAM



For more information please visit
<http://midatronics.com/Modules/>

QUICK SPECIFICATION

- Supply Voltage : 1.8 V to 3.6 V .1
- Interface : USART / ADC / SPI / I2C .2
- Dimensions : 14.6 x 23 mm .3
- Working temperature – 40°C to + 85 °C .4
- RX Sensitivity: -123 dBm for 2-FSK .5
- 148 dBm for LoRa®

ORDERING INFORMATION

Part Number:	Description:
MDX-STWLU-R01	Windy Module

