

THIS COPY IS PROVIDED ON A RESTRICTED BASIS AND IS NOT TO BE USED IN ANY WAY DETRIMENTAL TO THE INTERESTS OF PANDUIT CORP.

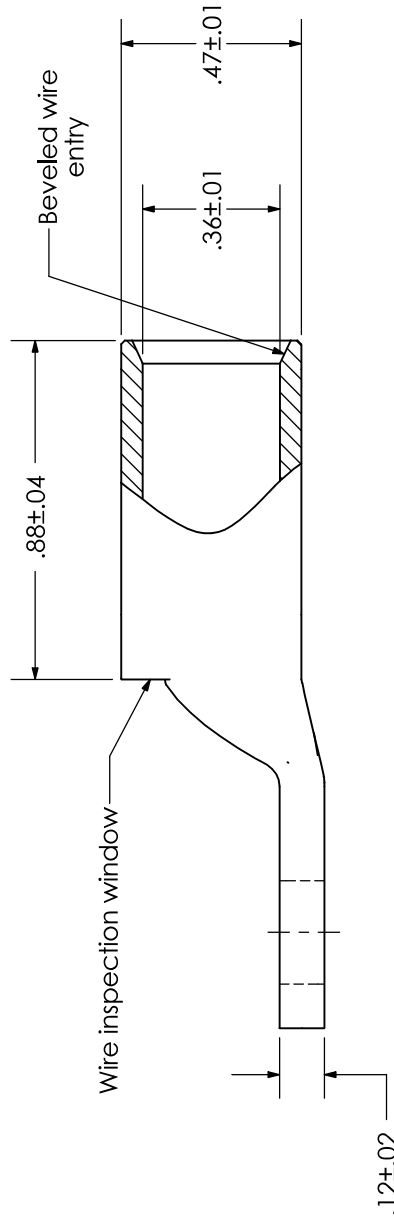
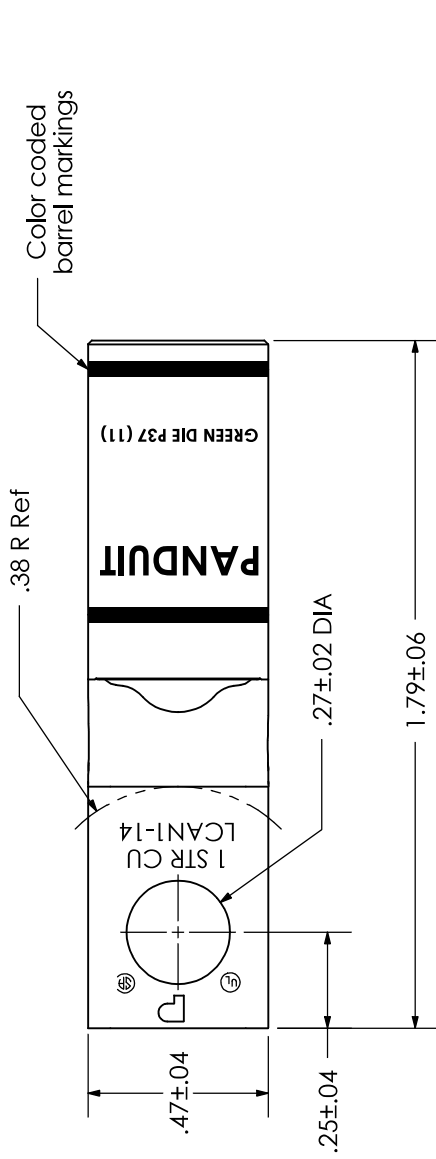
| | |
|--|--|
| Material | High Conductivity Seamless Copper Tube |
| Plating | Electro-Tin |
| Wire Size | 1 AWG |
| Wire Type | Stranded Copper; Class B: Compact, Compressed or Concentric, Class C: Concentric |
| Wire Strip Length | 15/16 in. |
| Stud Size | 1/4 in. |
| UL Listed Wire Connector | Yes, for applications up to 35kv. Consult cable manufacturer for voltage stress relief instructions with applications greater than 2000 volts. |
| UL Temperature Rating | 90 ° C |
| C.S.A Certified Wire Connector | Yes |
| Panduit Color Code on Barrel | GREEN |
| Panduit Die Index No. on Barrel | P37 |
| Alternate Industry Die Index No. () on Barrel | (11) |



CERTIFIED



LISTED Wire Connector



| | |
|---|---------------|
| PANDUIT CORP. TINLEY PARK, ILLINOIS | |
| LCAN1-14-E | |
| Copper Lug - One-Hole, Narrow Tongue, Standard Barrel | |
| REV | DATE |
| 01 | 11/08 |
| BY | DRL |
| CHK | DRL |
| DESCRIPTION | |
| TONGUE THICKNESS WAS .11±.01 | |
| SCALE | N/A |
| ECN | |
| DRAWING NO / CAD FILE | LCAN1-14-CUST |