

LC75814V

1/4-Duty General-Purpose LCD Driver



ON Semiconductor®

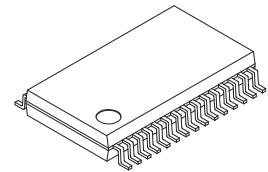
www.onsemi.com

Overview

The LC75814V is a 1/4 duty general-purpose LCD driver that can be used for frequency display in electronic tuners under the control of a microcontroller. The LC75814V can drive an LCD with up to 64 segments directly. The LC75814V can also control up to 4 general-purpose output ports. Since the LC75814V uses separate power supply systems for the LCD drive block and the logic block, the LCD driver block power-supply voltage can be set to any voltage in the range 2.7 to 6.0 volts, regardless of the logic block power-supply voltage.

Features

- Support for 1/4 duty 1/2 bias or 1/4 duty 1/3 bias drive of up to 64 segments under serial data control.
- Serial data input supports CCB* format communication with the system controller.
- Serial data control of the power-saving mode based backup function and all the segments forced off function
- Serial data control of switching between the segment output port and the general-purpose output port functions
- High generality, since display data is displayed directly without decoder intervention.
- Independent V_{LCD} for the LCD driver block (V_{LCD} can be set to any voltage in the range 2.7 to 6.0 volts, regardless of the logic block power-supply voltage.)
- The \overline{INH} pin can force the display to the off state.
- RC oscillator circuit



SSOP30 (275mil)

* Computer Control Bus (CCB) is an ON Semiconductor's original bus format and the bus addresses are controlled by ON Semiconductor.

ORDERING INFORMATION

See detailed ordering and shipping information on page 15 of this data sheet.

LC75814V

Specifications

Absolute Maximum Ratings at Ta = 25°C, VSS = 0 V

| Parameter | Symbol | Conditions | Ratings | Unit |
|-----------------------------|----------------------|--|--------------------------------|------|
| Maximum supply voltage | V _{DD} max | V _{DD} | -0.3 to +7.0 | V |
| | V _{LCD} max | V _{LCD} | -0.3 to +7.0 | V |
| Input voltage | V _{IN} 1 | CE, CL, DI, $\overline{\text{INH}}$ | -0.3 to +7.0 | V |
| | V _{IN} 2 | OSC | -0.3 to V _{DD} + 0.3 | V |
| | V _{IN} 3 | V _{LCD} 1, V _{LCD} 2 | -0.3 to V _{LCD} + 0.3 | V |
| Output voltage | V _{OUT} 1 | OSC | -0.3 to V _{DD} + 0.3 | V |
| | V _{OUT} 2 | S1 to S16, COM1 to COM4, P1 to P4 | -0.3 to V _{LCD} + 0.3 | V |
| Output current | I _{OUT} 1 | S1 to S16 | 300 | μA |
| | I _{OUT} 2 | COM1 to COM4 | 3 | mA |
| | I _{OUT} 3 | P1 to P4 | 5 | mA |
| Allowable power dissipation | Pd max | Ta = 85°C | 100 | mW |
| Operating temperature | Topr | | -40 to +85 | °C |
| Storage temperature | Tstg | | -55 to +125 | °C |

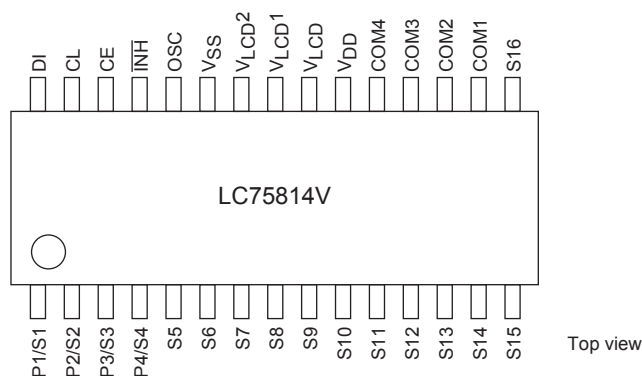
Stresses exceeding those listed in the Maximum Ratings table may damage the device. If any of these limits are exceeded, device functionality should not be assumed, damage may occur and reliability may be affected.

Allowable Operating Ranges at Ta = -40 to +85°C, VSS = 0 V

| Parameter | Symbol | Conditions | Ratings | | | Unit |
|--|--------------------|--|---------------------|----------------------|---------------------|------|
| | | | min | typ | max | |
| Supply voltage | V _{DD} | V _{DD} | 2.7 | | 6.0 | V |
| | V _{LCD} | V _{LCD} | 2.7 | | 6.0 | V |
| Input voltage | V _{LCD} 1 | V _{LCD} 1 | | 2/3 V _{LCD} | V _{LCD} | V |
| | V _{LCD} 2 | V _{LCD} 2 | | 1/3 V _{LCD} | V _{LCD} | V |
| Input high level voltage | V _{IH} | CE, CL, DI, $\overline{\text{INH}}$ | 0.8 V _{DD} | | 6.0 | V |
| Input low level voltage | V _{IL} | CE, CL, DI, $\overline{\text{INH}}$ | 0 | | 0.2 V _{DD} | V |
| Recommended external resistance | R _{OSC} | OSC | | 43 | | kΩ |
| Recommended external capacitance | C _{OSC} | OSC | | 680 | | pF |
| Guaranteed oscillation range | f _{OSC} | OSC | 25 | 50 | 100 | kHz |
| Data setup time | t _{ds} | CL, DI: Figure 2 | 160 | | | ns |
| Data hold time | t _{dh} | CL, DI: Figure 2 | 160 | | | ns |
| CE wait time | t _{cp} | CE, CL: Figure 2 | 160 | | | ns |
| CE setup time | t _{cs} | CE, CL: Figure 2 | 160 | | | ns |
| CE hold time | t _{ch} | CE, CL: Figure 2 | 160 | | | ns |
| High level clock pulse width | t _{øH} | CL: Figure 2 | 160 | | | ns |
| Low level clock pulse width | t _{øL} | CL: Figure 2 | 160 | | | ns |
| Rise time | t _r | CE, CL, DI: Figure 2 | | 160 | | ns |
| Fall time | t _f | CE, CL, DI: Figure 2 | | 160 | | ns |
| $\overline{\text{INH}}$ switching time | t _c | $\overline{\text{INH}}$, CE: Figure 3 | 10 | | | μs |

Functional operation above the stresses listed in the Recommended Operating Ranges is not implied. Extended exposure to stresses beyond the Recommended Operating Ranges limits may affect device reliability.

Pin Assignment



LC75814V

Electrical Characteristics for the Allowable Operating Ranges

| Parameter | Symbol | Conditions | Ratings | | | Unit |
|-------------------------------|------------|--|---------------------|--------------|---------------------|---------------|
| | | | min | typ | max | |
| Hysteresis | V_H | CE, CL, DI, $\overline{\text{INH}}$ | | $0.1 V_{DD}$ | | V |
| Input high level current | I_{IH} | CE, CL, DI, $\overline{\text{INH}}$; $V_I = 6.0 \text{ V}$ | | | 5.0 | μA |
| Input low level current | I_{IL} | CE, CL, DI, $\overline{\text{INH}}$; $V_I = 0 \text{ V}$ | -5.0 | | | μA |
| Output high level voltage | V_{OH1} | S1 to S16; $I_O = -20 \mu\text{A}$ | $V_{LCD} - 0.9$ | | | V |
| | V_{OH2} | COM1 to COM4; $I_O = -100 \mu\text{A}$ | $V_{LCD} - 0.9$ | | | V |
| | V_{OH3} | P1 to P4; $I_O = -1 \text{ mA}$ | $V_{LCD} - 0.9$ | | | V |
| Output low level voltage | V_{OL1} | S1 to S16; $I_O = 20 \mu\text{A}$ | | | 0.9 | V |
| | V_{OL2} | COM1 to COM4; $I_O = 100 \mu\text{A}$ | | | 0.9 | V |
| | V_{OL3} | P1 to P4; $I_O = 1 \text{ mA}$ | | | 0.9 | V |
| Output middle level voltage*1 | V_{MID1} | COM1 to COM4; 1/2 bias, $I_O = \pm 100 \mu\text{A}$ | $1/2 V_{LCD} - 0.9$ | | $1/2 V_{LCD} + 0.9$ | V |
| | V_{MID2} | S1 to S16; 1/3 bias, $I_O = \pm 20 \mu\text{A}$ | $2/3 V_{LCD} - 0.9$ | | $2/3 V_{LCD} + 0.9$ | V |
| | V_{MID3} | S1 to S16; 1/3 bias, $I_O = \pm 20 \mu\text{A}$ | $1/3 V_{LCD} - 0.9$ | | $1/3 V_{LCD} + 0.9$ | V |
| | V_{MID4} | COM1 to COM4; 1/3 bias, $I_O = \pm 100 \mu\text{A}$ | $2/3 V_{LCD} - 0.9$ | | $2/3 V_{LCD} + 0.9$ | V |
| | V_{MID5} | COM1 to COM4; 1/3 bias, $I_O = \pm 100 \mu\text{A}$ | $1/3 V_{LCD} - 0.9$ | | $1/3 V_{LCD} + 0.9$ | V |
| Oscillator frequency | f_{OSC} | OSC; $R_{OSC} = 43 \text{ k}\Omega$, $C_{OSC} = 680 \text{ pF}$ | 40 | 50 | 60 | kHz |
| Current drain | I_{DD1} | V_{DD} ; power saving mode | | | 5 | μA |
| | I_{DD2} | V_{DD} ; $V_{DD} = 6.0 \text{ V}$, output open, $f_{osc} = 50 \text{ kHz}$ | | 230 | 460 | μA |
| | I_{LCD1} | V_{LCD} ; power saving mode | | | 5 | μA |
| | I_{LCD2} | V_{LCD} ; $V_{LCD} = 6.0 \text{ V}$, output open 1/2 bias, $f_{osc} = 50 \text{ kHz}$ | | 100 | 200 | μA |
| | I_{LCD3} | V_{LCD} ; $V_{LCD} = 6.0 \text{ V}$, output open 1/3 bias, $f_{osc} = 50 \text{ kHz}$ | | 60 | 120 | μA |

Note: *1 Excluding the bias voltage generation divider resistors built in the V_{LCD1} and V_{LCD2} . (See Figure 1.)

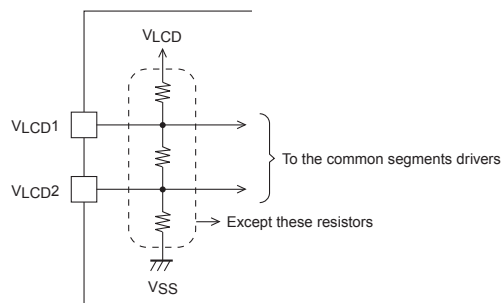
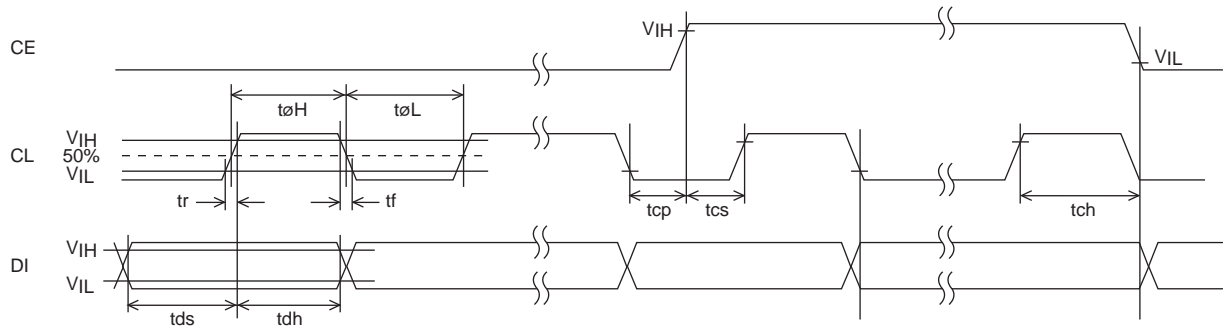


Figure 1

Product parametric performance is indicated in the Electrical Characteristics for the listed test conditions, unless otherwise noted. Product performance may not be indicated by the Electrical Characteristics if operated under different conditions.

1. When CL is stopped at the low level



2. When CL is stopped at the high level

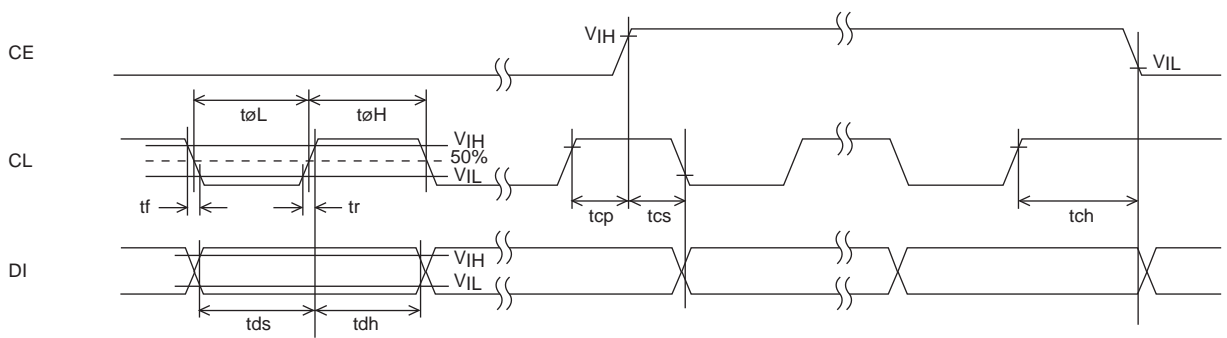
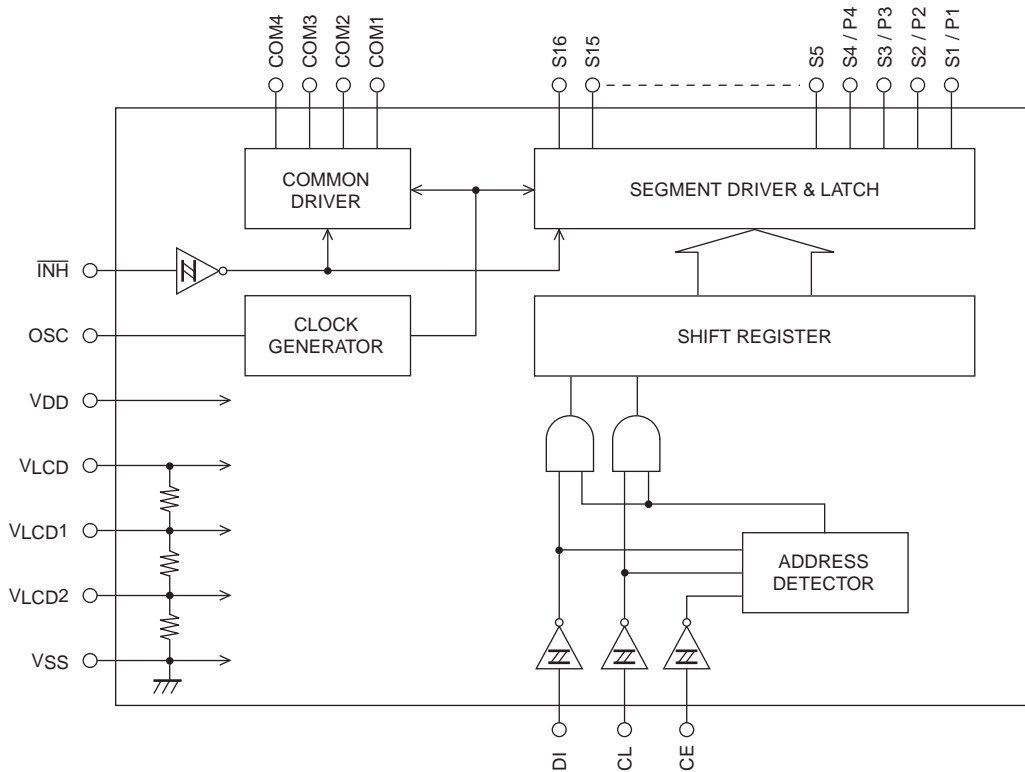


Figure 2

Block Diagram

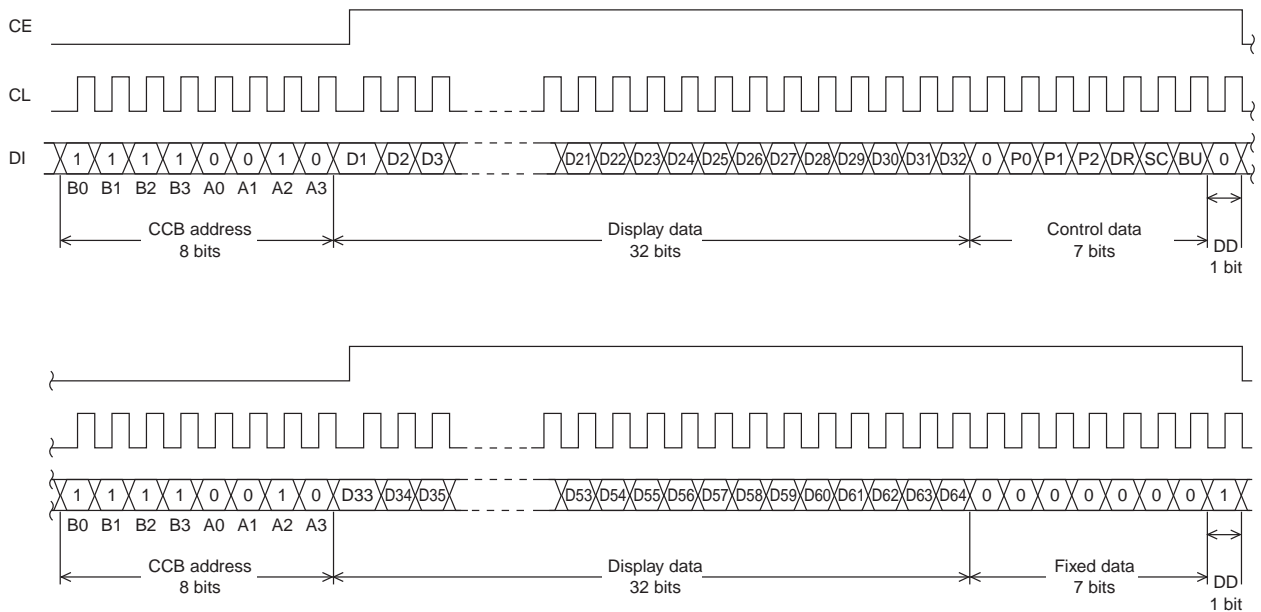


Pin Functions

| Pin | Pin No. | Function | Active | I/O | Handling when unused | | | | | | |
|------------------------------|-------------------|---|--|-----------------|----------------------|---------------------------|------------|-------------------|---|---|-----|
| S1/P1 to S4/P4 S5 to S16 | 1 to 4 5 to 16 | Segment outputs for displaying the display data transferred by serial data input. The pins S1/P1 to S4/P4 can be used as general-purpose output ports when so set up by the control data. | — | O | Open | | | | | | |
| COM1 COM2 COM3 COM4 | 17 to 20 | Common driver outputs. The frame frequency f_O is given by: $f_O = (f_{osc}/512)$ Hz. | — | O | Open | | | | | | |
| OSC | 26 | Oscillator connection An oscillator circuit is formed by connecting an external resistor and capacitor to this pin. | — | I/O | V_{DD} | | | | | | |
| CE CL DI | 28 29 30 | Serial data transfer inputs. These pins are connected to the control microprocessor. | <table border="1"> <tr> <td>CE: Chip enable</td> <td>H</td> </tr> <tr> <td>CL: Synchronization clock</td> <td>\uparrow</td> </tr> <tr> <td>DI: Transfer data</td> <td>—</td> </tr> </table> | CE: Chip enable | H | CL: Synchronization clock | \uparrow | DI: Transfer data | — | I | GND |
| CE: Chip enable | H | | | | | | | | | | |
| CL: Synchronization clock | \uparrow | | | | | | | | | | |
| DI: Transfer data | — | | | | | | | | | | |
| \overline{INH} | 27 | Display off control input • \overline{INH} = low (V_{SS}): Off S1/P1 to S4/P4 = Low (These pins are forcibly set to the segment output port function and fixed at the V_{SS} level.) S5 to S16 = Low (V_{SS}). COM1 to COM4 = Low (V_{SS}) • \overline{INH} = high (V_{DD}): On Note that serial data transfers can be performed when the display is forced off by this pin. | L | I | GND | | | | | | |
| V_{LCD1} | 23 | Used to apply the LCD drive 2/3 bias voltage externally. This pin must be connected to V_{LCD2} when 1/2 bias drive is used. | — | I | Open | | | | | | |
| V_{LCD2} | 24 | Used to apply the LCD drive 1/3 bias voltage externally. This pin must be connected to V_{LCD1} when 1/2 bias drive is used. | — | I | Open | | | | | | |
| V_{DD} | 21 | Logic block power supply. Provide a voltage in the range 2.7 to 6.0 V. | — | — | — | | | | | | |
| V_{LCD} | 22 | LCD driver block power supply. Provide a voltage in the range 2.7 to 6.0 V. | — | — | — | | | | | | |
| V_{SS} | 25 | Ground pin. Connect to ground. | — | — | — | | | | | | |

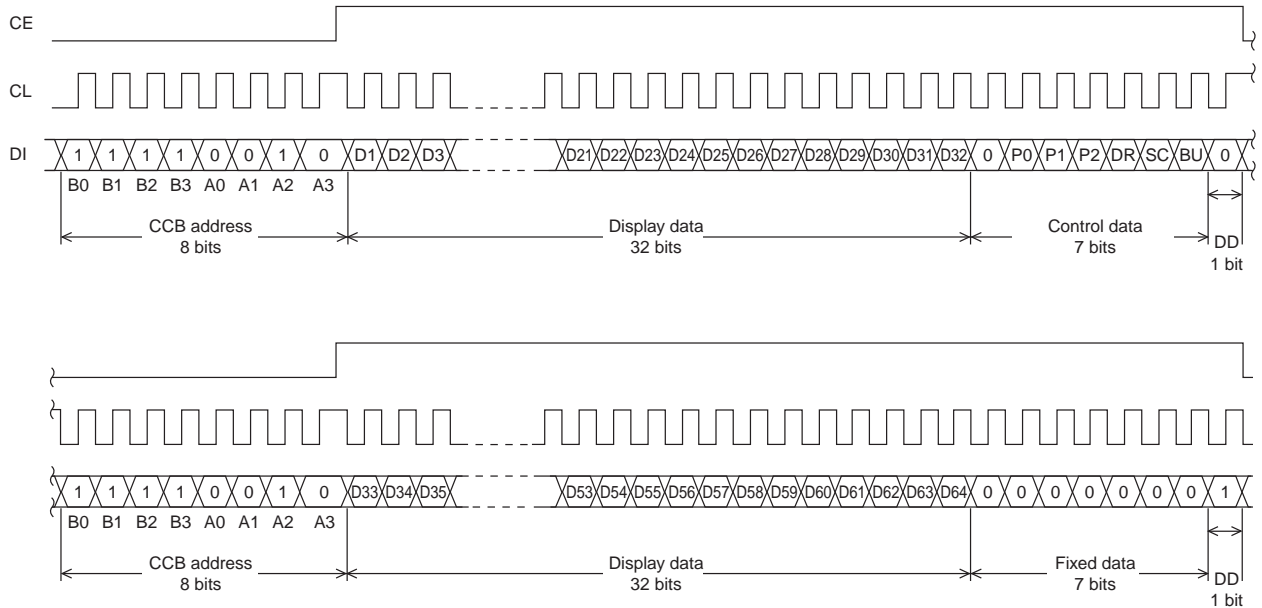
Serial Data Transfer Format

1. When CL is stopped at the low level



Note: DD ... Direction data

2. When CL is stopped at the high level

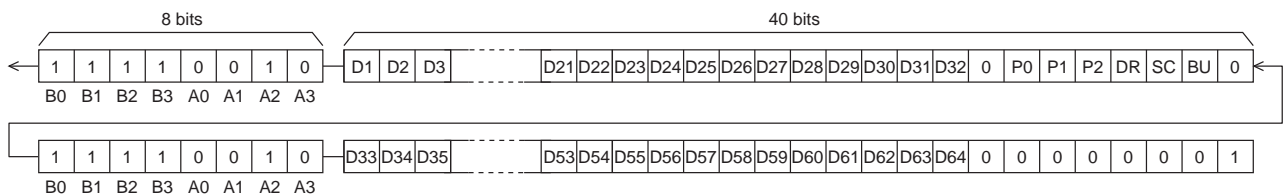


Note: DD ... Direction data

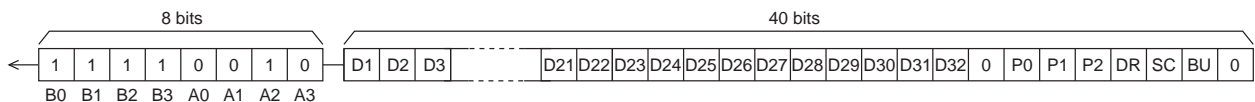
- CCB address.....4FH
- D1 to D64.....Display data
- P0 to P2Segment output port/general-purpose output port switching control data
- DR1/2 bias drive or 1/3 bias drive switching control data
- SC.....Segments on/off control data
- BUNormal mode/power-saving mode control data

Serial Data Transfer Examples

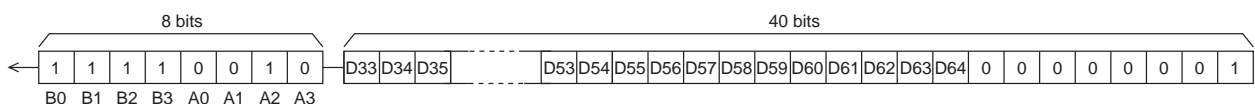
- When 33 or more segments are used, all 80 bits of the serial data must be sent.



- When fewer than 33 segments are used, only 40 bits of serial data need to be sent. However, the display data D1 to D32 and the control data must be sent.



Note: When fewer than 33 segments are used, transfers such as that shown in the figure below cannot be used.



Control Data Functions

1. P0 to P2: Segment output port/general-purpose output port switching control data.

These control data bits switch the S1/P1 to S4/P4 output pins between their segment output port and general-purpose output port functions.

| Control data | | | Output pin states | | | |
|--------------|----|----|-------------------|-------|-------|-------|
| P0 | P1 | P2 | S1/P1 | S2/P2 | S3/P3 | S4/P4 |
| 0 | 0 | 0 | S1 | S2 | S3 | S4 |
| 0 | 0 | 1 | P1 | S2 | S3 | S4 |
| 0 | 1 | 0 | P1 | P2 | S3 | S4 |
| 0 | 1 | 1 | P1 | P2 | P3 | S4 |
| 1 | 0 | 0 | P1 | P2 | P3 | P4 |

Note: Sn (n = 1 to 4): Segment output ports

Pn (n = 1 to 4): General-purpose output ports

Also note that when the general-purpose output port function is selected, the output pins and the display data will have the correspondences listed in the tables below.

| Output pin | Corresponding display data |
|------------|----------------------------|
| S1/P1 | D1 |
| S2/P2 | D5 |
| S3/P3 | D9 |
| S4/P4 | D13 |

For example, if the output pin S4/P4 has the general-purpose output port function selected, it will output a high level (V_{LCD}) when the display data D13 is 1, and will output a low level (V_{SS}) when D13 is 0.

2. DR: 1/2 bias drive or 1/3 bias drive switching control data

This control data bit selects either 1/2 bias drive or 1/3 bias drive.

| DR | Drive type |
|----|----------------|
| 0 | 1/3 bias drive |
| 1 | 1/2 bias drive |

3. SC: Segments on/off control data

This control data bit controls the on/off state of the segments.

| SC | Display state |
|----|---------------|
| 0 | On |
| 1 | Off |

However, note that when the segments are turned off by setting SC to 1, the segments are turned off by outputting segment off waveforms from the segment output pins.

4. BU: Normal mode/power-saving mode control data

This control data bit selects either normal mode or power-saving mode.

| BU | Mode |
|----|---|
| 0 | Normal mode |
| 1 | Power saving mode (The OSC pin oscillator is stopped, and the common and segment output pins go to the V_{SS} level. However, the S1/P1 to S4/P4 output pins that are set to be general-purpose output ports by the control data P0 to P2 can be used as general-purpose output ports.) |

Display Data to Segment Output Pin Correspondence

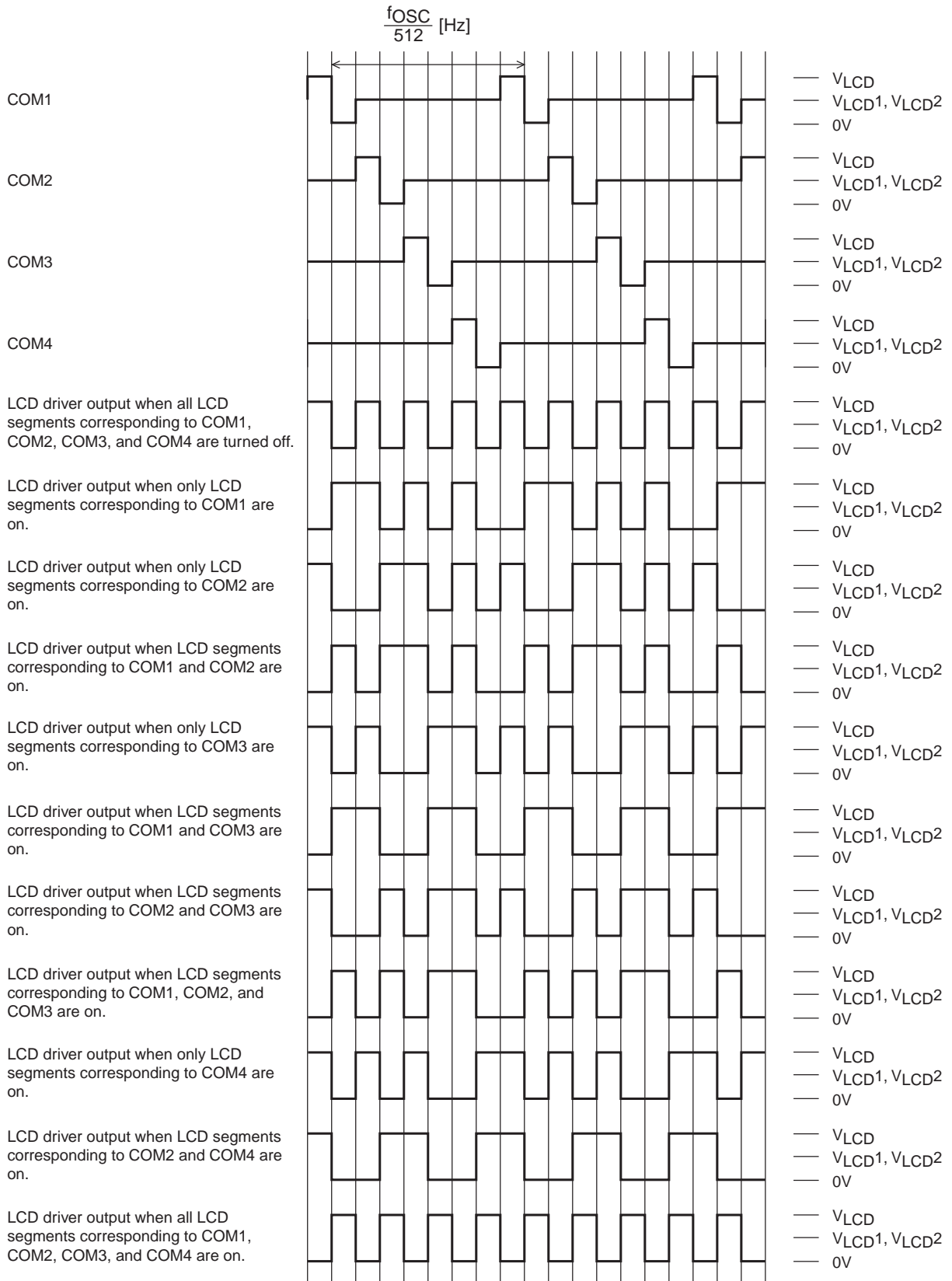
| Segment output pin | COM1 | COM2 | COM3 | COM4 |
|--------------------|------|------|------|------|
| S1/P1 | D1 | D2 | D3 | D4 |
| S2/P2 | D5 | D6 | D7 | D8 |
| S3/P3 | D9 | D10 | D11 | D12 |
| S4/P4 | D13 | D14 | D15 | D16 |
| S5 | D17 | D18 | D19 | D20 |
| S6 | D21 | D22 | D23 | D24 |
| S7 | D25 | D26 | D27 | D28 |
| S8 | D29 | D30 | D31 | D32 |
| S9 | D33 | D34 | D35 | D36 |
| S10 | D37 | D38 | D39 | D40 |
| S11 | D41 | D42 | D43 | D44 |
| S12 | D45 | D46 | D47 | D48 |
| S13 | D49 | D50 | D51 | D52 |
| S14 | D53 | D54 | D55 | D56 |
| S15 | D57 | D58 | D59 | D60 |
| S16 | D61 | D62 | D63 | D64 |

Note: This applies to the case where the S1/P1 to S4/P4 output pins are set to be segment output ports.

For example, the table below lists the segment output states for the S11 output pin.

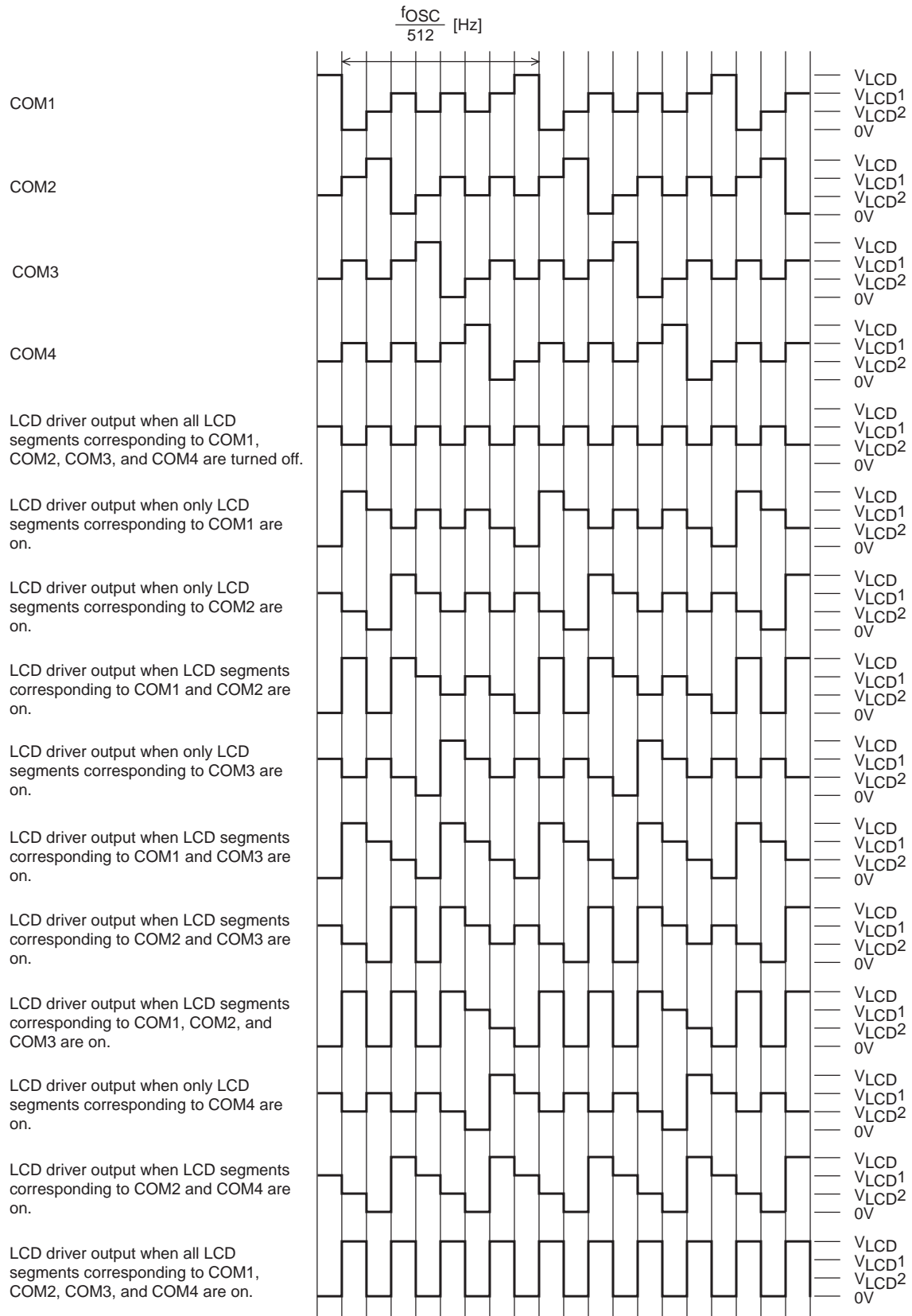
| Display data | | | | Segment output pin (S11) state |
|--------------|-----|-----|-----|---|
| D41 | D42 | D43 | D44 | |
| 0 | 0 | 0 | 0 | The LCD segments corresponding to COM1 to COM4 are off. |
| 0 | 0 | 0 | 1 | The LCD segment corresponding to COM4 is on. |
| 0 | 0 | 1 | 0 | The LCD segment corresponding to COM3 is on. |
| 0 | 0 | 1 | 1 | The LCD segments corresponding to COM3 and COM4 are on. |
| 0 | 1 | 0 | 0 | The LCD segment corresponding to COM2 is on. |
| 0 | 1 | 0 | 1 | The LCD segments corresponding to COM2 and COM4 are on. |
| 0 | 1 | 1 | 0 | The LCD segments corresponding to COM2 and COM3 are on. |
| 0 | 1 | 1 | 1 | The LCD segments corresponding to COM2, COM3 and COM4 are on. |
| 1 | 0 | 0 | 0 | The LCD segment corresponding to COM1 is on. |
| 1 | 0 | 0 | 1 | The LCD segments corresponding to COM1 and COM4 are on. |
| 1 | 0 | 1 | 0 | The LCD segments corresponding to COM1 and COM3 are on. |
| 1 | 0 | 1 | 1 | The LCD segments corresponding to COM1, COM3 and COM4 are on. |
| 1 | 1 | 0 | 0 | The LCD segments corresponding to COM1 and COM2 are on. |
| 1 | 1 | 0 | 1 | The LCD segments corresponding to COM1, COM2 and COM4 are on. |
| 1 | 1 | 1 | 0 | The LCD segments corresponding to COM1 to COM3 are on. |
| 1 | 1 | 1 | 1 | The LCD segments corresponding to COM1 to COM4 are on. |

1/4 Duty, 1/2 Bias Drive Technique



1/4 Duty, 1/2 Bias Waveforms

1/4 Duty, 1/3 Bias Drive Technique



1/4 Duty, 1/3 Bias Waveforms

The $\overline{\text{INH}}$ pin and Display Control

Since the IC internal data (the display data D1 to D64 and the control data) is undefined when power is first applied, applications should set the $\overline{\text{INH}}$ pin low at the same time as power is applied to turn off the display (This sets the S1/P1 to S4/P4, S5 to S16, and COM1 to COM4 to the V_{SS} level.) and during this period send serial data from the controller. The controller should then set the $\overline{\text{INH}}$ pin high after the data transfer has completed. This procedure prevents meaningless displays at power on. (See Figure 3.)

Notes on the Power On/Off Sequences

Applications should observe the following sequence when turning the LC75814V power on and off.

- At power on: Logic block power supply (V_{DD}) on \rightarrow LCD driver block power supply (V_{LCD}) on
- At power off: LCD driver block power supply (V_{LCD}) off \rightarrow Logic block power supply (V_{DD}) off

However, if the logic and LCD driver block use a shared power supply, then the power supplies can be turned on and off at the same time.

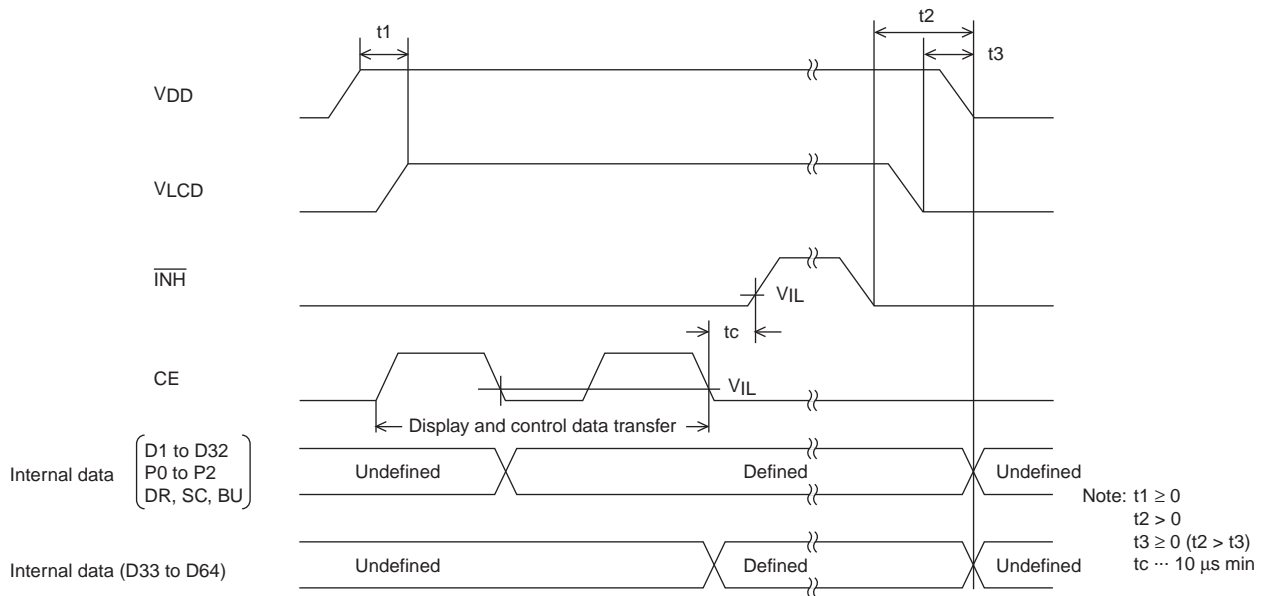


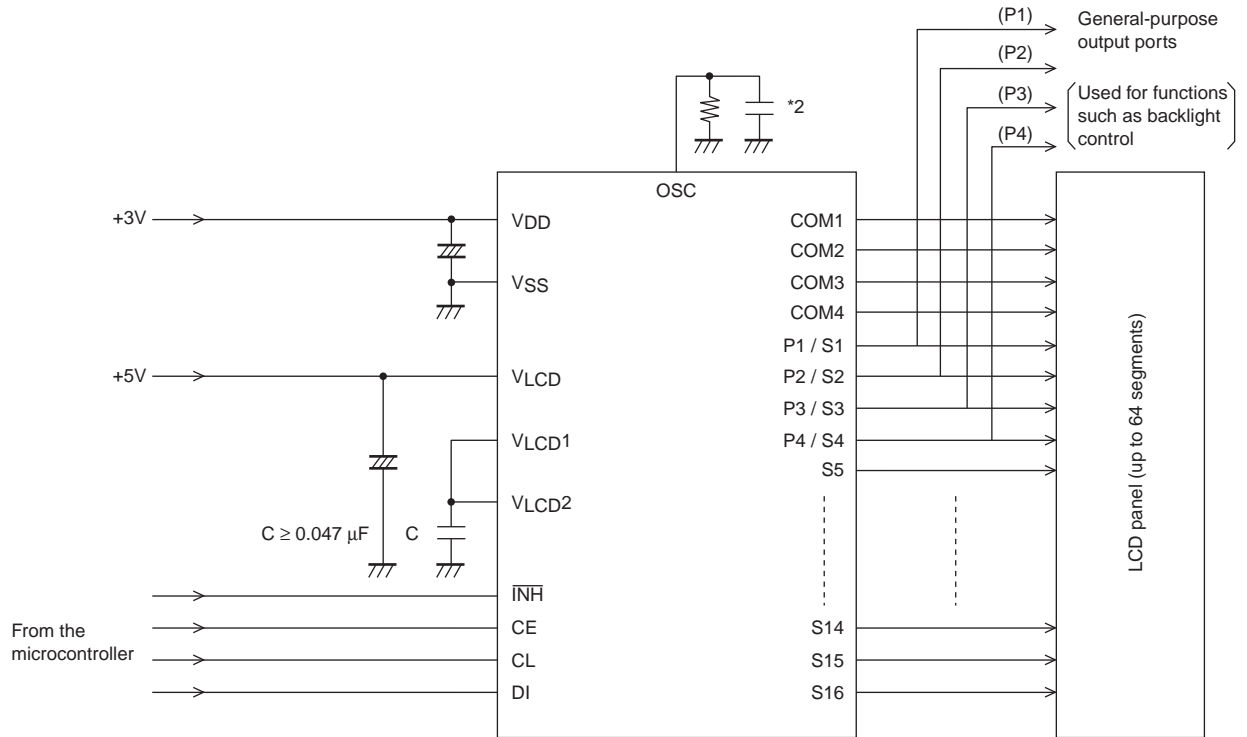
Figure 3

Notes on Controller Transfer of Display Data

Since the LC75814V accept display data (D1 to D64) divided into two separate transfer operations, we recommend that applications transfer all of the display data within a period of less than 30 ms to prevent observable degradation of display quality.

Sample Application Circuit 1

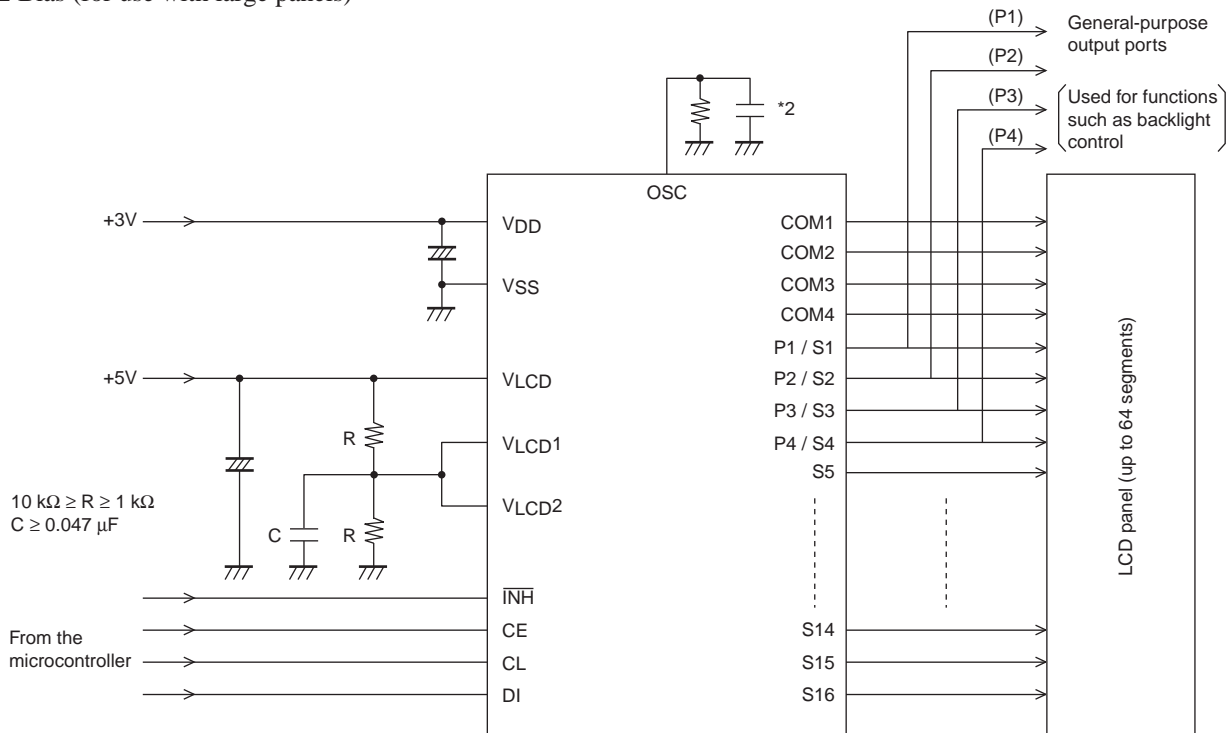
1/2 Bias (for use with normal panels)



Note: *2 When a capacitor except the recommended external capacitance ($C_{OSC} = 680 \text{ pF}$) is connected the OSC pin, we recommend that applications connect the OSC pin with a capacitor in the range 220 to 2200pF.

Sample Application Circuit 2

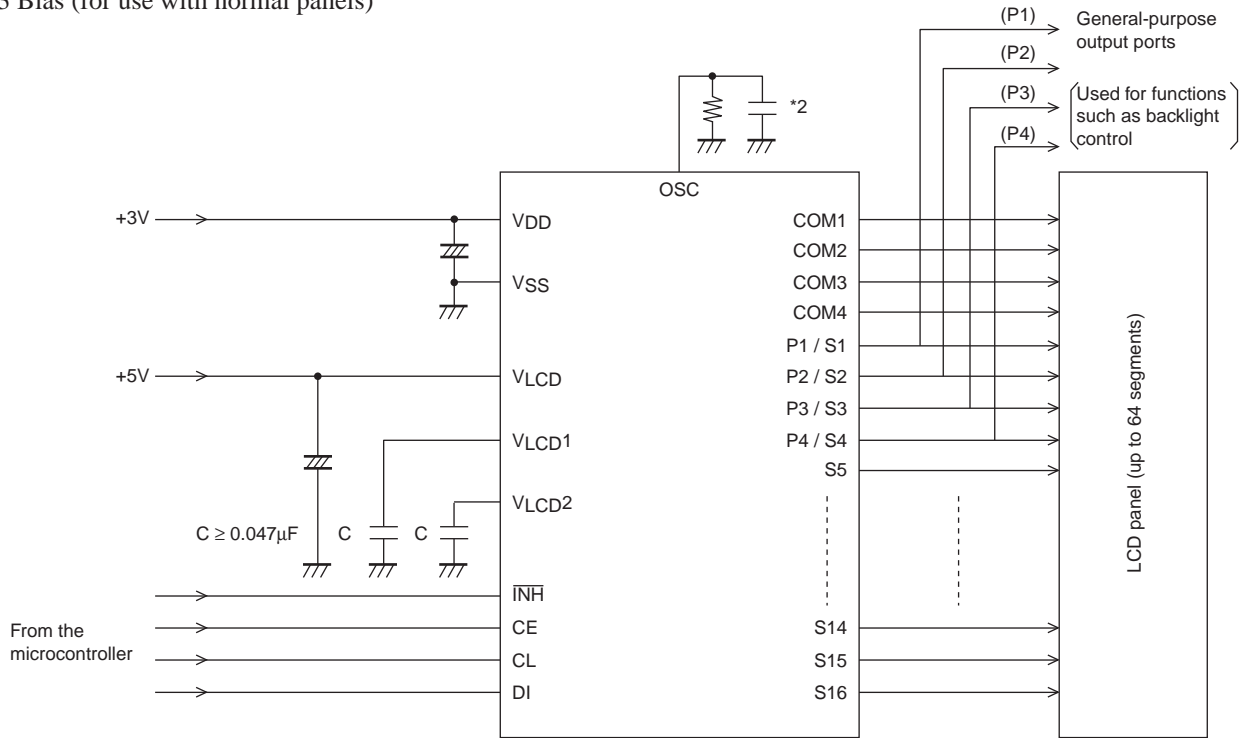
1/2 Bias (for use with large panels)



Note: *2 When a capacitor except the recommended external capacitance ($C_{OSC} = 680 \text{ pF}$) is connected the OSC pin, we recommend that applications connect the OSC pin with a capacitor in the range 220 to 2200pF.

Sample Application Circuit 3

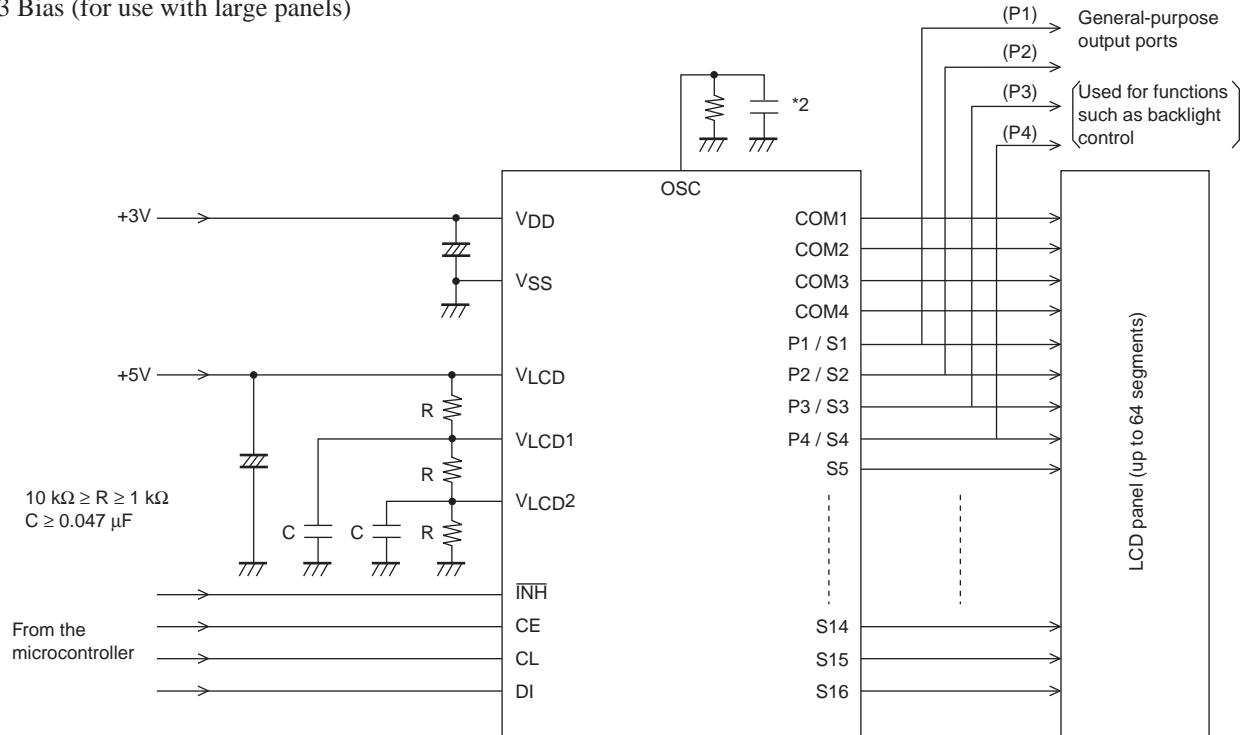
1/3 Bias (for use with normal panels)



Note: *2 When a capacitor except the recommended external capacitance ($C_{OSC} = 680 \text{ pF}$) is connected the OSC pin, we recommend that applications connect the OSC pin with a capacitor in the range 220 to 2200pF.

Sample Application Circuit 4

1/3 Bias (for use with large panels)



Note: *2 When a capacitor except the recommended external capacitance ($C_{OSC} = 680 \text{ pF}$) is connected the OSC pin, we recommend that applications connect the OSC pin with a capacitor in the range 220 to 2200pF.

LC75814V

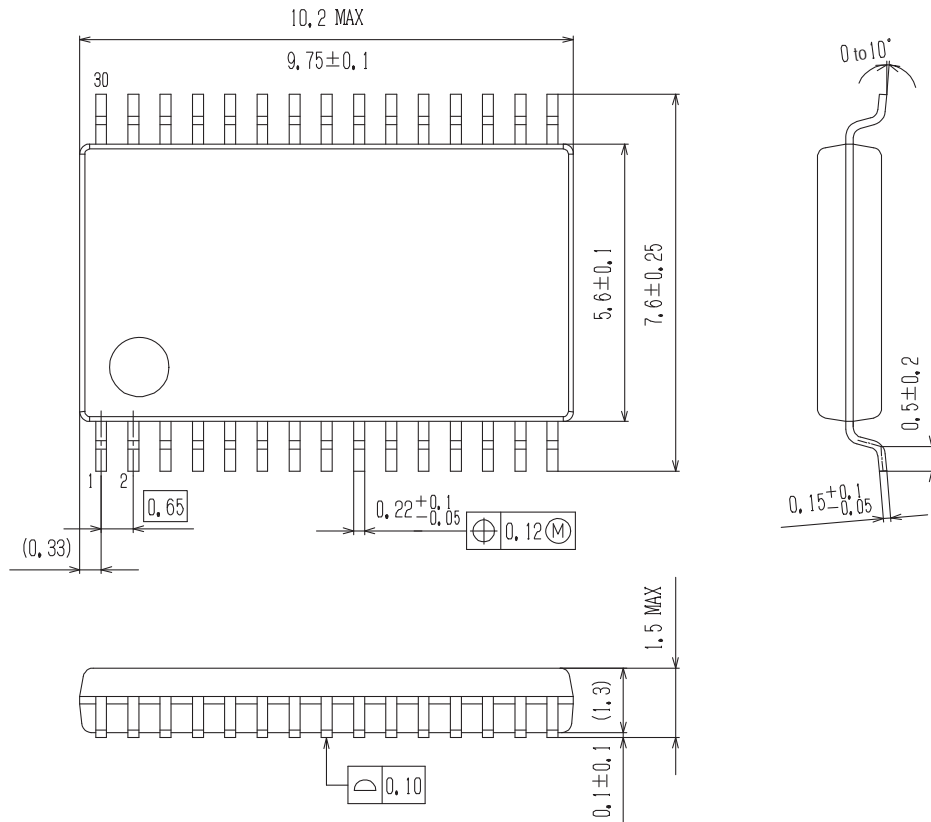
Package Dimensions

unit : mm

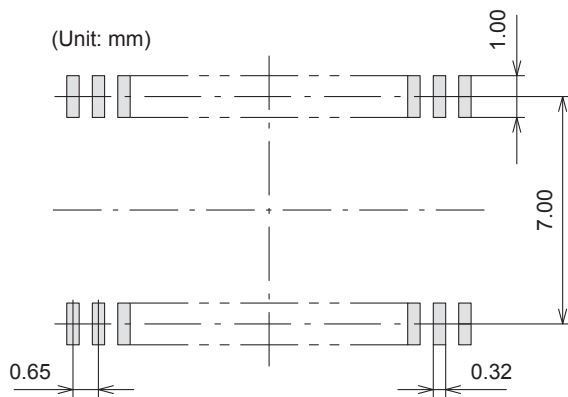
SSOP30 (275mil)

CASE 565AT

ISSUE A



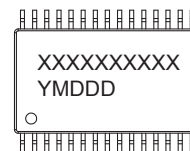
SOLDERING FOOTPRINT*



NOTE: The measurements are not to guarantee but for reference only.

*For additional information on our Pb-Free strategy and soldering details, please download the ON Semiconductor Soldering and Mounting Techniques Reference Manual, SOLDERRM/D.

GENERIC MARKING DIAGRAM*



XXXXX = Specific Device Code
 Y = Year
 M = Month
 DDD = Additional Traceability Data

*This information is generic. Please refer to device data sheet for actual part marking. Pb-Free indicator, "G" or microdot "•", may or may not be present.

LC75814V

ORDERING INFORMATION

| Device | Package | Shipping (Qty / Packing) |
|-----------------|------------------------------|--------------------------|
| LC75814V-TLM-E | SSOP30 (275mil) (Pb-Free) | 1000 / Tape & Reel |
| LC75814VS-TLM-E | SSOP30 (275mil) (Pb-Free) | 1000 / Tape & Reel |

† For information on tape and reel specifications, including part orientation and tape sizes, please refer to our Tape and Reel Packaging Specifications Brochure, BRD8011/D. http://www.onsemi.com/pub_link/Collateral/BRD8011-D.PDF

ON Semiconductor and the ON Semiconductor logo are trademarks of Semiconductor Components Industries, LLC dba ON Semiconductor or its subsidiaries in the United States and/or other countries. ON Semiconductor owns the rights to a number of patents, trademarks, copyrights, trade secrets, and other intellectual property. A listing of ON Semiconductor's product/patent coverage may be accessed at www.onsemi.com/site/pdf/Patent-Marking.pdf. ON Semiconductor reserves the right to make changes without further notice to any products herein. ON Semiconductor makes no warranty, representation or guarantee regarding the suitability of its products for any particular purpose, nor does ON Semiconductor assume any liability arising out of the application or use of any product or circuit, and specifically disclaims any and all liability, including without limitation special, consequential or incidental damages. Buyer is responsible for its products and applications using ON Semiconductor products, including compliance with all laws, regulations and safety requirements or standards, regardless of any support or applications information provided by ON Semiconductor. "Typical" parameters which may be provided in ON Semiconductor data sheets and/or specifications can and do vary in different applications and actual performance may vary over time. All operating parameters, including "Typicals" must be validated for each customer application by customer's technical experts. ON Semiconductor does not convey any license under its patent rights nor the rights of others. ON Semiconductor products are not designed, intended, or authorized for use as a critical component in life support systems or any FDA Class 3 medical devices or medical devices with a same or similar classification in a foreign jurisdiction or any devices intended for implantation in the human body. Should Buyer purchase or use ON Semiconductor products for any such unintended or unauthorized application, Buyer shall indemnify and hold ON Semiconductor and its officers, employees, subsidiaries, affiliates, and distributors harmless against all claims, costs, damages, and expenses, and reasonable attorney fees arising out of, directly or indirectly, any claim of personal injury or death associated with such unintended or unauthorized use, even if such claim alleges that ON Semiconductor was negligent regarding the design or manufacture of the part. ON Semiconductor is an Equal Opportunity/Affirmative Action Employer. This literature is subject to all applicable copyright laws and is not for resale in any manner.