
10/100 Non-PCI Ethernet Single Chip MAC + PHY

Highlights

- Single Chip Ethernet Controller
- Dual Speed - 10/100 Mbps
- Fully Supports Full Duplex Switched Ethernet
- Supports Burst Data Transfer
- 8 Kbytes Internal Memory for Receive and Transmit FIFO Buffers
- Enhanced Power Management Features
- Optional Configuration via Serial EEPROM Interface
- Supports 8, 16 and 32 Bit CPU Accesses
- Internal 32 Bit Wide Data Path (Into Packet Buffer Memory)
- Built-in Transparent Arbitration for Slave Sequential Access Architecture
- Flat MMU Architecture with Symmetric Transmit and Receive Structures and Queues
- 3.3V Operation with 5V Tolerant IO Buffers (See Pin List Description for Additional Details)
- Single 25 MHz Reference Clock for Both PHY and MAC
- External 25Mhz-output pin for an external PHY supporting PHYs physical media.
- Low Power CMOS Design
- Supports Multiple Embedded Processor Host Interfaces
 - ARM
 - SH
 - Power PC
 - Coldfire
 - 680X0, 683XX
 - MIPS R3000
- 3.3V MII (Media Independent Interface) MAC-PHY Interface Running at Nibble Rate
- MII Management Serial Interface
- 128-Pin QFP RoHS compliant package
- 128-Pin TQFP 1.0 mm height RoHS compliant package
- Commercial Temperature Range from 0°C to 70°C (LAN91C111)
- Industrial Temperature Range from -40°C to 85°C (LAN91C111i)

Network Interface

- Fully Integrated IEEE 802.3/802.3u-100Base-TX/10Base-T Physical Layer
- Auto-Negotiation: 10/100, Full / Half Duplex
- On Chip Wave Shaping - No External Filters Required
- Adaptive Equalizer
- Baseline Wander Correction
- LED Outputs (User selectable – Up to 2 LED functions at one time)
 - Link
 - Activity
 - Full Duplex
 - 10/100
 - Transmit
 - Receive

TO OUR VALUED CUSTOMERS

It is our intention to provide our valued customers with the best documentation possible to ensure successful use of your Microchip products. To this end, we will continue to improve our publications to better suit your needs. Our publications will be refined and enhanced as new volumes and updates are introduced.

If you have any questions or comments regarding this publication, please contact the Marketing Communications Department via E-mail at docerrors@microchip.com. We welcome your feedback.

Most Current Data Sheet

To obtain the most up-to-date version of this data sheet, please register at our Worldwide Web site at:

<http://www.microchip.com>

You can determine the version of a data sheet by examining its literature number found on the bottom outside corner of any page. The last character of the literature number is the version number, (e.g., DS30000000A is version A of document DS30000000).

Errata

An errata sheet, describing minor operational differences from the data sheet and recommended workarounds, may exist for current devices. As device/documentation issues become known to us, we will publish an errata sheet. The errata will specify the revision of silicon and revision of document to which it applies.

To determine if an errata sheet exists for a particular device, please check with one of the following:

- Microchip's Worldwide Web site; <http://www.microchip.com>
- Your local Microchip sales office (see last page)

When contacting a sales office, please specify which device, revision of silicon and data sheet (include -literature number) you are using.

Customer Notification System

Register on our web site at www.microchip.com to receive the most current information on all of our products.

Table of Contents

| | |
|---|-----|
| 1.0 General Description | 4 |
| 2.0 Pin Configurations | 5 |
| 3.0 Block Diagrams | 7 |
| 4.0 Signal Descriptions | 10 |
| 5.0 Description of Pin Functions | 11 |
| 6.0 Signal Description Parameters | 15 |
| 7.0 Functional Description | 16 |
| 8.0 MAC Data Structures and Registers | 38 |
| 9.0 PHY MII Registers | 65 |
| 10.0 Software Driver and Hardware Sequence Flow | 77 |
| 11.0 Board Setup Information | 88 |
| 12.0 Application Considerations | 90 |
| 13.0 Operational Description | 97 |
| 14.0 Timing Diagrams | 102 |
| 15.0 Package Outlines | 118 |
| Appendix A: Data Sheet Revision History | 120 |
| The Microchip Web Site | 121 |
| Customer Change Notification Service | 121 |
| Customer Support | 121 |
| Product Identification System | 122 |

LAN91C111

1.0 GENERAL DESCRIPTION

The Microchip LAN91C111 is designed to facilitate the implementation of a third generation of Fast Ethernet connectivity solutions for embedded applications. For this third generation of products, flexibility and integration dominate the design requirements. The LAN91C111 is a mixed signal Analog/Digital device that implements the MAC and PHY portion of the CSMA/CD protocol at 10 and 100 Mbps. The design will also minimize data throughput constraints utilizing a 32-bit, 16-bit or 8-bit bus Host interface in embedded applications.

The total internal memory FIFO buffer size is 8 Kbytes, which is the total chip storage for transmit and receive operations.

The Microchip LAN91C111 is software compatible with the LAN9000 family of products.

Memory management is handled using a patented optimized MMU (Memory Management Unit) architecture and a 32-bit wide internal data path. This I/O mapped architecture can sustain back-to-back frame transmission and reception for superior data throughput and optimal performance. It also dynamically allocates buffer memory in an efficient buffer utilization scheme, reducing software tasks and relieving the host CPU from performing these housekeeping functions.

The Microchip LAN91C111 provides a flexible slave interface for easy connectivity with industry-standard buses. The Bus Interface Unit (BIU) can handle synchronous as well as asynchronous transfers, with different signals being used for each one. Asynchronous bus support for ISA is supported even though ISA cannot sustain 100 Mbps traffic. Fast Ethernet data rates are attainable for ISA-based nodes on the basis of the aggregate traffic benefits.

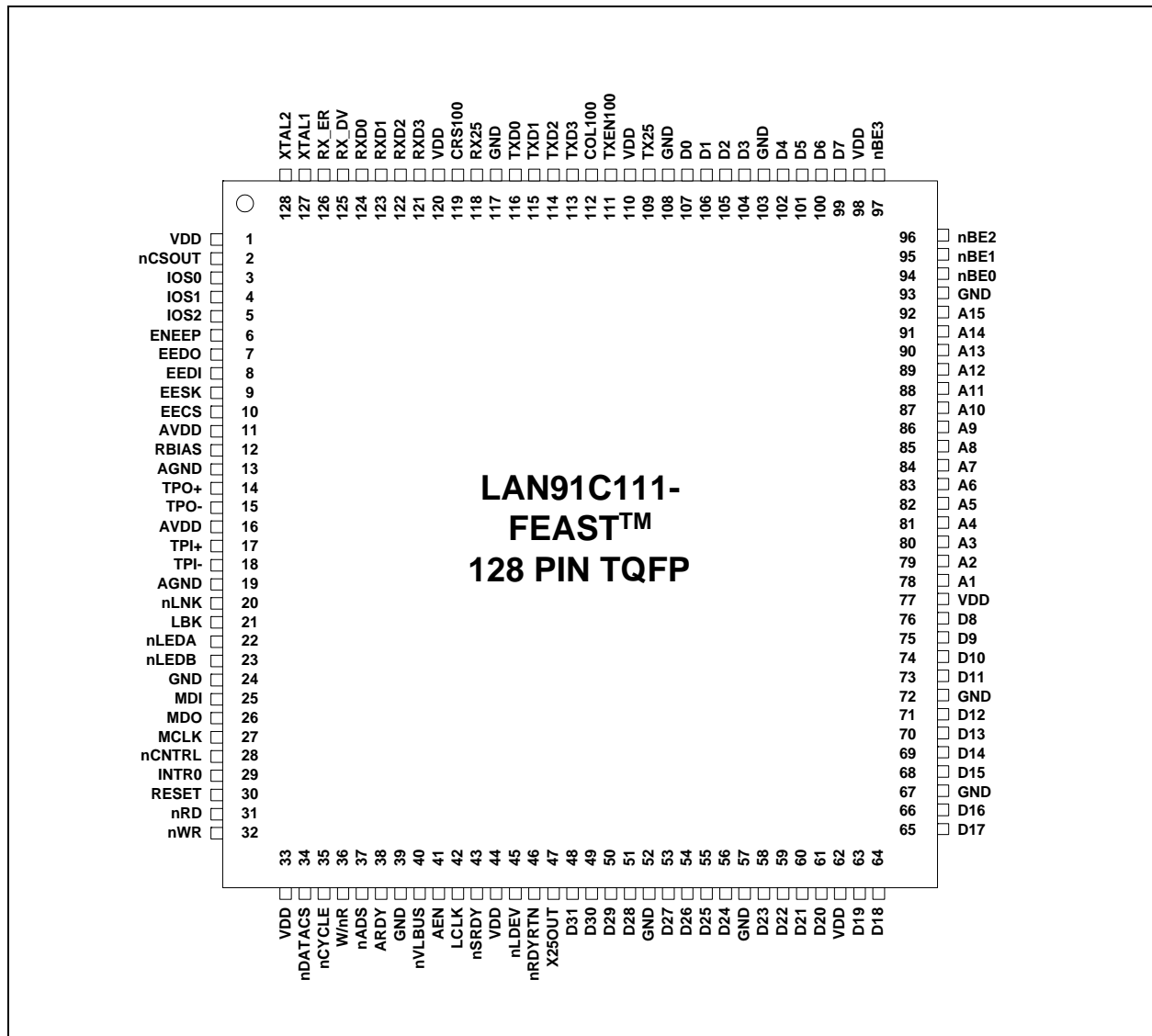
Two different interfaces are supported on the network side. The first Interface is a standard Magnetics transmit/receive pair interfacing to 10/100Base-T utilizing the internal physical layer block. The second interface follows the MII (Media Independent Interface) specification standard, consisting of 4 bit wide data transfers at the nibble rate. This interface is applicable to 10 Mbps standard Ethernet or 100 Mbps Ethernet networks. Three of the LAN91C111's pins are used to interface to the two-line MII serial management protocol.

The Microchip LAN91C111 integrates IEEE 802.3 Physical Layer for twisted pair Ethernet applications. The PHY can be configured for either 100 Mbps (100Base-TX) or 10 Mbps (10Base-T) Ethernet operation. The Analog PHY block consists of a 4B5B/Manchester encoder/decoder, scrambler/de-scrambler, transmitter with wave shaping and output driver, twisted pair receiver with on chip equalizer and baseline wander correction, clock and data recovery, Auto-Negotiation, controller interface (MII), and serial port (MI). Internal output wave shaping circuitry and on-chip filters eliminate the need for external filters normally required in 100Base-TX and 10Base-T applications.

The LAN91C111 can automatically configure itself for 100 or 10 Mbps and Full or Half Duplex operation with the on-chip Auto-Negotiation algorithm. The LAN91C111 is ideal for media interfaces for embedded application desiring Ethernet connectivity as well as 100Base-TX/10Base-T adapter cards, motherboards, repeaters, switching hubs. The LAN91C111 operates from a single 3.3V supply. The inputs and outputs of the host Interface are 5V tolerant and will directly interface to other 5V devices.

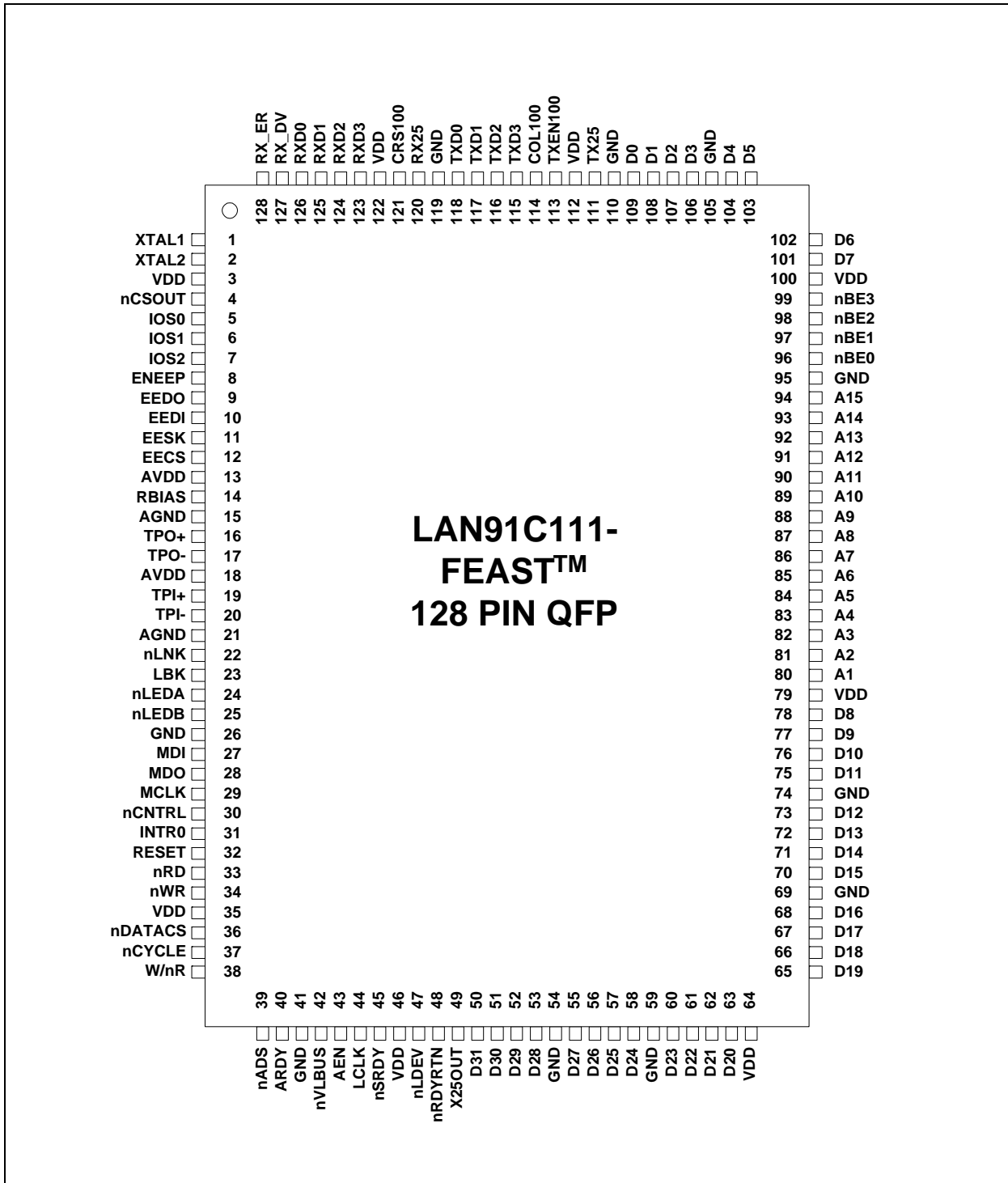
2.0 PIN CONFIGURATIONS

FIGURE 2-1: PIN CONFIGURATION - LAN91C111-FAEST 128-PIN TQFP



LAN91C111

FIGURE 2-2: PIN CONFIGURATION - LAN91C111-FEAST 128-PIN QFP

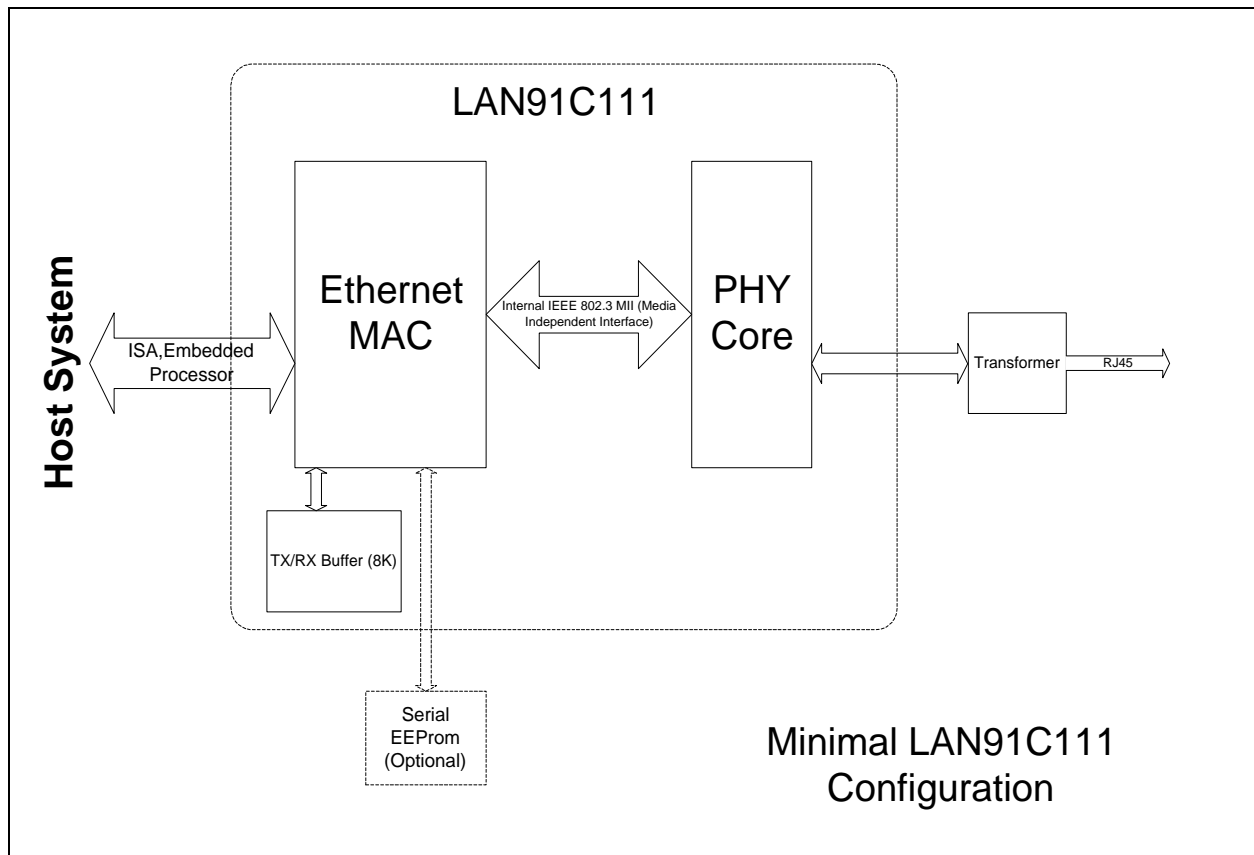


3.0 BLOCK DIAGRAMS

The diagram shown in [Figure 3-1, "Basic Functional Block Diagram"](#), describes the device basic functional blocks. The Microchip LAN91C111 is a single chip solution for embedded designs with minimal Host and external supporting devices required to implement 10/100 Ethernet connectivity solutions.

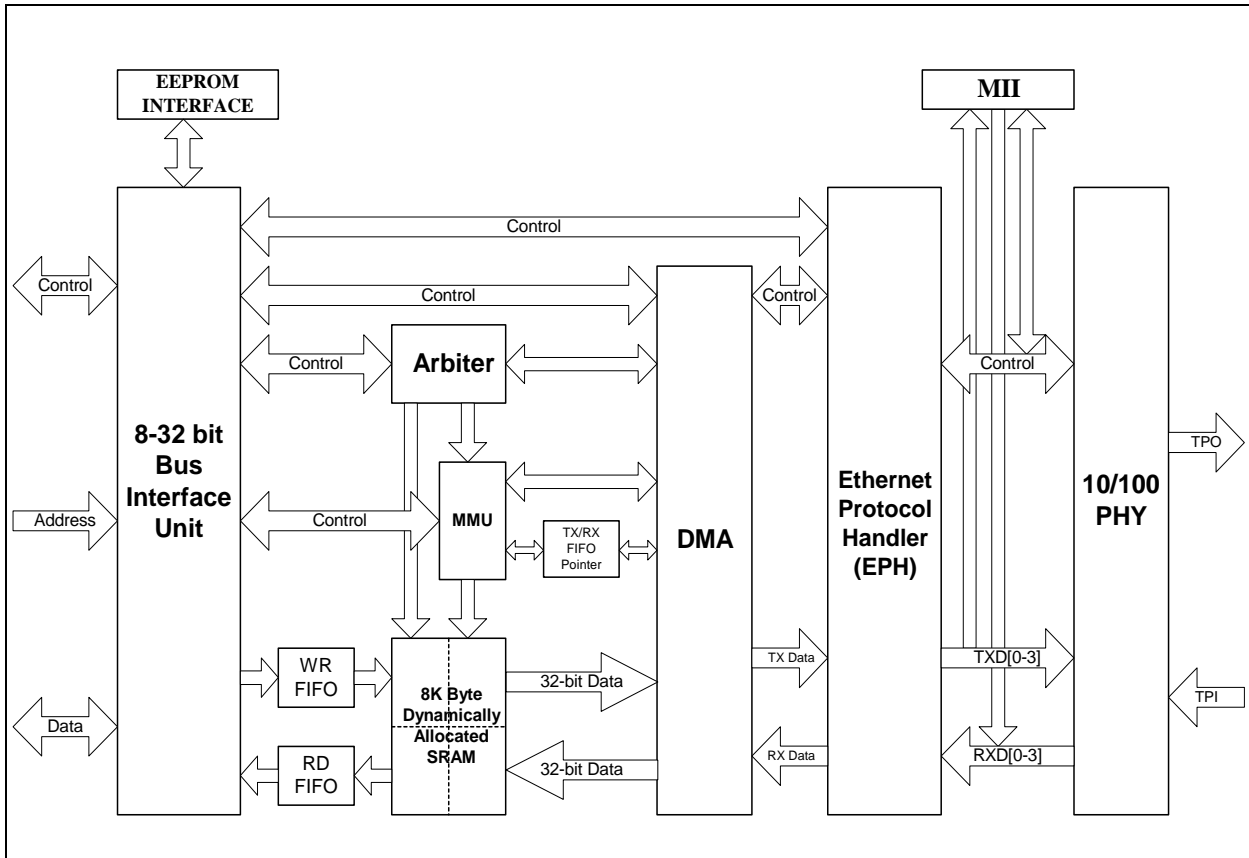
The optional Serial EEPROM is used to store information relating to default IO offset parameters as well as which of the Interrupt line are used by the host.

FIGURE 3-1: BASIC FUNCTIONAL BLOCK DIAGRAM



LAN91C111

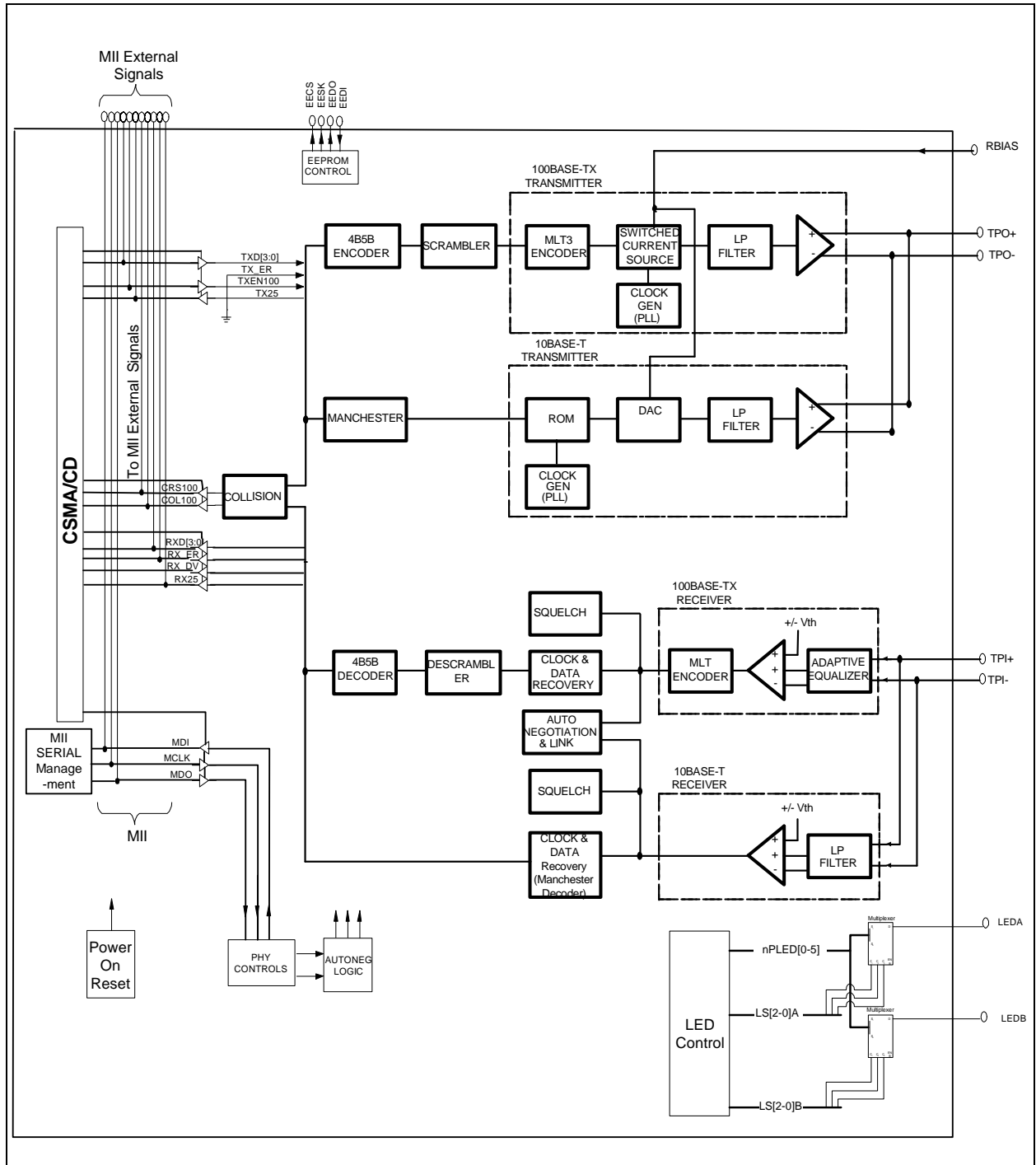
FIGURE 3-2: BLOCK DIAGRAM



The diagram shown in [Figure 3-2](#) describes the supported Host interfaces, which include ISA or Generic Embedded. The Host interface is an 8, 16 or 32 bit wide address / data bus with extensions for 32, 16 and 8 bit embedded RISC and ARM processors.

The figure shown next page describes the Microchip LAN91C111 functional blocks required to integrate a 10/100 Ethernet Physical layer framer to the internal MAC.

FIGURE 3-3: LAN91C111 PHYSICAL LAYER TO INTERNAL MAC BLOCK DIAGRAM



LAN91C111

4.0 SIGNAL DESCRIPTIONS

TABLE 4-1: LAN91C111 PIN REQUIREMENTS (128 PIN QFP AND 1.0MM TQFP PACKAGE)

| Function | Pin Symbols | Number of Pins |
|--------------------------|---|----------------|
| System Address Bus | A1-A15, AEN, nBE0-nBE3 | 20 |
| System Data Bus | D0-D31 | 32 |
| System Control Bus | RESET, nADS, LCLK, ARDY, nRDYRTN, nSRDY, INTR0, nLDEV, nRD, nWR, nDATACS, nCYCLE, W/nR, nVLBUS | 14 |
| Serial EEPROM | EEDI, EEDO, EECS, EESK, ENEEP, IOS0-IOS2 | 8 |
| LEDs | nLEDA, nLEDB | 2 |
| PHY | TPO+, TPO-, TPI+, TPI-, nLNK, LBK, nCNTRL, RBIAS | 8 |
| Crystal Oscillator | XTAL1, XTAL2 | 2 |
| Power | VDD, AVDD | 10 |
| Ground | GND, AGND | 12 |
| Physical Interface (MII) | TXEN100, CRS100, COL100, RX_DV, RX_ER, TXD0-TXD3, RXD0-RXD3, MDI, MDO, MCLK, RX25, TX25 | 18 |
| MISC | nCSOUT, X25OUT | 2 |
| TOTAL | | 128 |

5.0 DESCRIPTION OF PIN FUNCTIONS

| Pin No. | | Name | Symbol | Buffer Type | Description |
|---|--|-----------------|-----------|-----------------|--|
| TQFP | QFP | | | | |
| 81-92 | 83-94 | Address | A4-A15 | I** | Input. Decoded by LAN91C111 to determine access to its registers. |
| 78-80 | 80-82 | Address | A1-A3 | I** | Input. Used by LAN91C111 for internal register selection. |
| 41 | 43 | Address Enable | AEN | I** | Input. Used as an address qualifier. Address decoding is only enabled when AEN is low. |
| 94-97 | 96-99 | nByte Enable | nBE0-nBE3 | I** | Input. Used during LAN91C111 register accesses to determine the width of the access and the register(s) being accessed. nBE0-nBE3 are ignored when nDATACS is low (burst accesses) because 32 bit transfers are assumed. |
| 107-104, 102-99, 76-73, 71-68, 66-63, 61-58, 56-53, 51-48 | 109-106, 104-101, 78-75, 73-70, 68-65, 63-60, 58-55, 53-50 | Data Bus | D0-D31 | I/O24** | Bidirectional. 32 bit data bus used to access the LAN91C111's internal registers. Data bus has weak internal pullups. Supports direct connection to the system bus without external buffering. For 16 bit systems, only D0-D15 are used. |
| 30 | 32 | Reset | RESET | IS** | Input. When this pin is asserted high, the controller performs an internal system (MAC & PHY) reset. It programs all the registers to their default value, the controller will read the EEPROM device through the EEPROM interface (Note 5-1). This input is not considered active unless it is active for at least 100ns to filter narrow glitches. |
| 37 | 39 | nAddress Strobe | nADS | IS** | Input. For systems that require address latching, the rising edge of nADS indicates the latching moment for A1-A15 and AEN. All LAN91C111 internal functions of A1-A15, AEN are latched except for nLDEV decoding. |
| 35 | 37 | nCycle | nCYCLE | I** | Input. This active low signal is used to control LAN91C111 EISA burst mode synchronous bus cycles. |
| 36 | 38 | Write/nRead | W/nR | IS** | Input. Defines the direction of synchronous cycles. Write cycles when high, read cycles when low. |
| 40 | 42 | nVL Bus Access | nVLBUS | I with pullup** | Input. When low, the LAN91C111 synchronous bus interface is configured for VL Bus accesses. Otherwise, the LAN91C111 is configured for EISA DMA burst accesses. Does not affect the asynchronous bus interface. |
| 42 | 44 | Local Bus Clock | LCLK | I** | Input. Used to interface synchronous buses. Maximum frequency is 50 MHz. Limited to 8.33 MHz for EISA DMA burst mode. This pin should be tied high if it is in asynchronous mode. |

LAN91C111

| Pin No. | | Name | Symbol | Buffer Type | Description |
|---------|-----|------------------------|---------|-----------------|--|
| TQFP | QFP | | | | |
| 38 | 40 | Asynchronous Ready | ARDY | OD16 | Open drain output. ARDY may be used when interfacing asynchronous buses to extend accesses. Its rising (access completion) edge is controlled by the XTAL1 clock and, therefore, asynchronous to the host CPU or bus clock. ARDY is negated during Asynchronous cycle when one of the following conditions occurs: No_Wait Bit in the Configuration Register is cleared. Read FIFO contains less than 4 bytes when read. Write FIFO is full when write. |
| 43 | 45 | nSynchronous Ready | nSRDY | O16 | Output. This output is used when interfacing synchronous buses and nVLBUS=0 to extend accesses. This signal remains normally inactive, and its falling edge indicates completion. This signal is synchronous to the bus clock LCLK. |
| 46 | 48 | nReady Return | nRDYRTN | I** | Input. This input is used to complete synchronous read cycles. In EISA burst mode it is sampled on falling LCLK edges, and synchronous cycles are delayed until it is sampled high. |
| 29 | 31 | Interrupt | INTR0 | O24 | Interrupt Output – Active High, it's used to interrupt the Host on a status event. Note: The selection bits used to be determined by the value of INT SEL 1-0 bits in the Configuration Register are no longer required and have been set to reserved in this revision of the FEAST family of devices. |
| 45 | 47 | nLocal Device | nLDEV | O16 | Output. This active low output is asserted when AEN is low and A4-A15 decode to the LAN91C111 address programmed into the high byte of the Base Address Register. nLDEV is a combinatorial decode of unlatched address and AEN signals. |
| 31 | 33 | nRead Strobe | nRD | IS** | Input. Used in asynchronous bus interfaces. |
| 32 | 34 | nWrite Strobe | nWR | IS** | Input. Used in asynchronous bus interfaces. |
| 34 | 36 | nData Path Chip Select | nDATACS | I with pullup** | Input. When nDATACS is low, the Data Path can be accessed regardless of the values of AEN, A1-A15 and the content of the BANK SELECT Register. nDATACS provides an interface for bursting to and from the LAN91C111 32 bits at a time. |
| 9 | 11 | EEPROM Clock | EESK | O4 | Output. 4 μ sec clock used to shift data in and out of the serial EEPROM. |
| 10 | 12 | EEPROM Select | EECS | O4 | Output. Serial EEPROM chip select. Used for selection and command framing of the serial EEPROM. |

LAN91C111

| Pin No. | | Name | Symbol | Buffer Type | Description |
|--|--|------------------------------|----------------|-------------------|---|
| TQFP | QFP | | | | |
| 7 | 9 | EEPROM Data Out | EEDO | O4 | Output. Connected to the DI input of the serial EEPROM. |
| 8 | 10 | EEPROM Data In | EEDI | I with pulldown** | Input. Connected to the DO output of the serial EEPROM. |
| 3-5 | 5-7 | I/O Base | IOS0-IOS2 | I with pullup** | Input. External switches can be connected to these lines to select between predefined EEPROM configurations. |
| 6 | 8 | Enable EEPROM | ENEPP | I with pullup** | Input. Enables (when high or open) LAN91C111 accesses to the serial EEPROM. Must be grounded if no EEPROM is connected to the LAN91C111. |
| 127, 128 | 1, 2 | Crystal 1 Crystal 2 | XTAL1 XTAL2 | Iclk** | An external 25 MHz crystal is connected across these pins. If a TTL clock is supplied instead, it should be connected to XTAL1 and XTAL2 should be left open. XTAL1 is the 5V tolerant input of the internal amplifier and XTAL2 is the output of the internal amplifier. |
| 1, 33, 44, 62, 77, 98, 110, 120 | 3, 35, 46, 64, 79, 100, 112, 122 | Power | VDD | | +3.3V Power supply pins. |
| 11, 16 | 13, 18 | Analog Power | AVDD | | +3.3V Analog power supply pins. |
| 24, 39, 52, 57, 67, 72, 93, 103, 108, 117 | 26, 41, 54, 59, 69, 74, 95, 105, 110, 119 | Ground | GND | | Ground pins. |
| 13, 19 | 15, 21 | Analog Ground | AGND | | Analog Ground pins |
| 21 | 23 | Loopback | LBK | O4 | Output. Active when LOOP bit is set (TCR bit 1). |
| 20 | 22 | nLink Status | nLNK | I with pullup | Input. General-purpose input port used to convey LINK status (EPHSR bit 14). |
| 28 | 30 | nCNTRL | nCNTRL | O12 | General Purpose Control Pin |
| 47 | 49 | X25out | X25out | O12 | 25Mhz Output to external PHY |
| 111 | 113 | Transmit Enable 100 Mbps | TXEN100 | O12 | Output to MII PHY. Envelope to 100 Mbps transmission. |
| 119 | 121 | Carrier Sense 100 Mbps | CRS100 | I with pulldown | Input from MII PHY. Envelope of packet reception used for deferral and backoff purposes. |
| 125 | 127 | Receive Data Valid | RX_DV | I with pulldown | Input from MII PHY. Envelope of data valid reception. Used for receive data framing. |
| 112 | 114 | Collision Detect 100 Mbps | COL100 | I with pulldown | Input from MII PHY. Collision detection input. |

LAN91C111

| Pin No. | | Name | Symbol | Buffer Type | Description |
|---------|---------|------------------------|-----------|-----------------|--|
| TQFP | QFP | | | | |
| 113-116 | 115-118 | Transmit Data | TXD3-TXD0 | O12 | Outputs. Transmit Data nibble to MII PHY. |
| 109 | 111 | Transmit Clock | TX25 | I with pullup | Input. Transmit clock input from MII. Nibble rate clock (25MHz for 100Mbps & 2.5MHz for 10Mbps). |
| 118 | 120 | Receive Clock | RX25 | I with pullup | Input. Receive clock input from MII PHY. Nibble rate clock. (25MHz for 100Mbps & 2.5MHz for 10Mbps). |
| 121-124 | 123-126 | Receive Data | RXD3-RXD0 | I with pullup | Inputs. Received Data nibble from MII PHY. |
| 25 | 27 | Management Data Input | MDI | I with pulldown | MIl management data input. |
| 26 | 28 | Management Data Output | MDO | O4 | MIl management data output. |
| 27 | 29 | Management Clock | MCLK | O4 | MIl management clock. |
| 126 | 128 | Receive Error | RX_ER | I with pulldown | Input. Indicates a code error detected by PHY. Used by the LAN91C111 to discard the packet being received. The error indication reported for this event is the same as a bad CRC (Receive Status Word bit 13). |
| 2 | 4 | nChip Select Output | nCSOUT | O4 | Output. Chip Select provided for mapping of PHY functions into LAN91C111 decoded space. Active on accesses to LAN91C111's eight lower addresses when the BANK SELECTED is 7. |
| 12 | 14 | External Resistor | RBIAS | NA | Transmit Current Set. An external resistor connected between this pin and GND will set the output current for the TP transmit outputs |
| 14 | 16 | | TPO+ | O/I | Twisted Pair Transmit Output, Positive. |
| 15 | 17 | | TPO- | O/I | Twisted Pair Transmit Output, Negative |
| 17 | 19 | | TPI+ | I/O | Twisted Pair Receive Input, Positive |
| 18 | 20 | | TPI- | I/O | Twisted Pair Receive Input, Negative. |
| 22 | 24 | | nLEDA | OD24 | PHY LED Output |
| 23 | 25 | | nLEDB | OD24 | PHY LED Output |

Note 5-1 If the EEPROM is enabled.

6.0 SIGNAL DESCRIPTION PARAMETERS

This section provides a detailed description of each Microchip LAN91C111 signal. The signals are arranged in functional groups according to their associated function.

The 'n' symbol at the beginning of a signal name indicates that it is an active low signal. When 'n' is not present before the signal name, it indicates an active high signal.

The term "assert" or "assertion" indicates that a signal is active; independent of whether that level is represented by a high or low voltage. The term negates or negation indicates that a signal is inactive.

The term High-Z means tri-stated.

The term Undefined means the signal could be high, low, tri-stated, or in some in-between level.

6.1 Buffer Types

| | |
|-------|---|
| O4 | Output buffer with 2mA source and 4mA sink |
| O12 | Output buffer with 6mA source and 12mA sink |
| O16 | Output buffer with 8mA source and 16mA sink |
| O24 | Output buffer with 12mA source and 24mA sink |
| OD16 | Open drain buffer with 16mA sink |
| OD24 | Open drain buffer with 24mA sink |
| I/O4 | Bidirectional buffer with 2mA source and 4mA sink |
| I/O24 | Bidirectional buffer with 12mA source and 24mA sink |
| I/OD | Bidirectional Open drain buffer with 4mA sink |
| I | Input buffer |
| IS | Input buffer with Schmitt Trigger Hysteresis |
| Iclk | Clock input buffer |
| I/O | Differential Input |
| O/I | Differential Output |
| ** | 5V tolerant. Input pins are able to accept 5V signals |

DC levels and conditions defined in the DC Electrical Characteristics section.

LAN91C111

7.0 FUNCTIONAL DESCRIPTION

7.1 Clock Generator Block

1. The XTAL1 and XTAL2 pins are to be connected to a 25 MHz crystal.
2. TX25 is an input clock. It will be the nibble rate of the particular PHY connected to the MII (2.5 MHz for a 10 Mbps PHY, and 25 MHz for a 100 Mbps PHY).
3. RX25 - This is the MII nibble rate receive clock used for sampling received data nibbles and running the receive state machine. (2.5 MHz for a 10 Mbps PHY, and 25 MHz for a 100 Mbps PHY).
4. LCLK - Bus clock - Used by the BIU for synchronous accesses. Maximum frequency is 50 MHz for VL BUS mode, and 8.33 MHz for EISA slave DMA.

7.2 CSMA/CD Block

This is a 16 bit oriented block, with fully- independent Transmit and Receive logic. The data path in and out of the block consists of two 16-bit wide uni-directional FIFOs interfacing the DMA block. The DMA port of the FIFO stores 32 bits to exploit the 32 bit data path into memory, but the FIFOs themselves are 16 bit wide. The Control Path consists of a set of registers interfaced to the CPU via the BIU.

7.2.1 DMA BLOCK

This block accesses packet memory on the CSMA/CD's behalf, fetching transmit data and storing received data. It interfaces the CSMA/CD Transmit and Receive FIFOs on one side and the Arbiter block on the other. To increase the bandwidth into memory, a 50 MHz clock is used by the DMA block, and the data path is 32 bits wide.

For example, during active reception at 100 Mbps, the CSMA/CD block will write a word into the Receive FIFO every 160ns. The DMA will read the FIFO and accumulate two words on the output port to request a memory cycle from the Arbiter every 320ns.

The DMA machine is able to support full duplex operation. Independent receive and transmit counters are used. Transmit and receive cycles are alternated when simultaneous receive and transmit accesses are needed.

7.2.2 ARBITER BLOCK

The Arbiter block sequences accesses to packet RAM requested by the BIU and by the DMA blocks. BIU requests represent pipelined CPU accesses to the Data Register, while DMA requests represent CSMA/CD data movement.

Internal SRAM read accesses are always 32 bit wide, and the Arbiter steers the appropriate byte(s) to the appropriate lanes as a function of the address.

The CPU Data Path consists of two uni-directional FIFOs mapped at the Data Register location. These FIFOs can be accessed in any combination of bytes, word, or doublewords. The Arbiter will indicate 'Not Ready' whenever a cycle is initiated that cannot be satisfied by the present state of the FIFO.

7.3 MMU Block

The Hardware Memory Management Unit allocates memory and transmit and receive packet queues. It also determines the value of the transmit and receive interrupts as a function of the queues. The page size is 2048 bytes, with a maximum memory size of 8kbytes. MIR values are interpreted in 2048 byte units.

7.4 BIU Block

The Bus Interface Unit can handle synchronous as well as asynchronous buses; different signals are used for each one. Transparent latches are added on the address path using rising nADS for latching.

When working with an asynchronous bus like ISA, the read and write operations are controlled by the edges of nRD and nWR. ARDY is used for notifying the system that it should extend the access cycle. The leading edge of ARDY is generated by the leading edge of nRD or nWR while the trailing edge of ARDY is controlled by the internal LAN91C111 clock and, therefore, asynchronous to the bus.

In the synchronous VL Bus type mode, nCYCLE and LCLK are used to for read and write operations. Completion of the cycle may be determined by using nSRDY. nSRDY is controlled by LCLK and synchronous to the bus.

Direct 32 bit access to the Data Path is supported by using the nDATACS input. By asserting nDATACS, external DMA type of devices will bypass the BIU address decoders and can sequentially access memory with no CPU intervention. nDATACS accesses can be used in the EISA DMA burst mode (nVLBUS=1) or in asynchronous cycles. These cycles MUST be 32 bit cycles. Please refer to the corresponding timing diagrams for details on these cycles.

The BIU is implemented using the following principles:

- a) Address decoding is based on the values of A15-A4 and AEN.
- b) Address latching is performed by using transparent latches that are transparent when nADS=0 and nRD=1, nWR=1 and latch on nADS rising edge.
- c) Byte, word and doubleword accesses to all registers and Data Path are supported except a doubleword write to offset Ch will only write the BANK SELECT REGISTER (offset 0x0Fh).
- d) No bus byte swapping is implemented (no eight bit mode).
- e) Word swapping as a function of A1 is implemented for 16 bit bus support.
- f) The asynchronous interface uses nRD and nWR strobes. If necessary, ARDY is negated on the leading edge of the strobe. The ARDY trailing edge is controlled by CLK.
- g) The VLBUS synchronous interface uses LCLK, nADS, and W/nR as defined in the VESA specification as well as nCYCLE to control read and write operations and generate nSRDY.
- h) EISA burst DMA cycles to and from the DATA REGISTER are supported as defined in the EISA Slave Mode "C" specification when nDATACS is driven by nDAK.
- i) Synchronous and asynchronous cycles can be mixed as long as they are not active simultaneously.
- j) Address and bank selection can be bypassed to generate 32 bit Data Path accesses by activating the nDATACS pin.

7.5 MAC-PHY Interface

The LAN91C111 integrates the IEEE 802.3 Physical Layer (PHY) and Media Access Control (MAC) into the same silicon. The data path connection between the MAC and the internal PHY is provided by the internal MII. The LAN91C111 also supports the EXT_PHY mode for the use of an external PHY, such as HPNA. This mode isolates the internal PHY to allow interface with an external PHY through the MII pins. To enter this mode, set EXT PHY bit to 1 in the Configuration Register.

7.5.1 MANAGEMENT DATA SOFTWARE IMPLEMENTATION

The MII interface contains of a pair of signals that physically transport the management information across the MII, a frame format and a protocol specification for exchanging management frames, and a register set that can be read and written using these frames. MII management refers to the ability of a management entity to communicate with PHY via the MII serial management interface (MI) for the purpose of displaying, selecting and/or controlling different PHY options. The host manipulates the MAC to drive the MII management serial interface. By manipulating the MAC's registers, MII management frames are generated on the management interface for reading or writing information from the PHY registers. Timing and framing for each management command is to be generated by the CPU (host).

The MAC and external PHY communicate via MDIO and MDC of the MII Management serial interface.

MDIO: Management Data input/output. Bi-directional between MAC and PHY that carries management data. All control and status information sent over this pin is driven and sampled synchronously to the rising edge of MDC signal.

MDC: Management Data Clock. Sourced by the MAC as a timing reference for transfer of information on the MDIO signal. MDC is a periodic signal with no maximum high or low times. The minimum high and low times should be 160ns each and the minimum period of the signal should be 400ns. These values are regardless of the nominal period of the TX and RX clocks.

7.5.2 MANAGEMENT DATA TIMING

A timing diagram for a MI serial port frame is shown in [Figure 7-1](#). The MI serial port is idle when at least 32 continuous 1's are detected on MDIO and remains idle as long as continuous 1's are detected. During idle, MDIO is in the high impedance state. When the MI serial port is in the idle state, a 01 pattern on the MDIO initiates a serial shift cycle. Data on MDIO is then shifted in on the next 14 rising edges of MDC (MDIO is high impedance). If the register access mode is not enabled, on the next 16 rising edges of MDC, data is either shifted in or out on MDIO, depending on whether a write or read cycle was selected with the bits READ and WRITE. After the 32 MDC cycles have been completed, one

LAN91C111

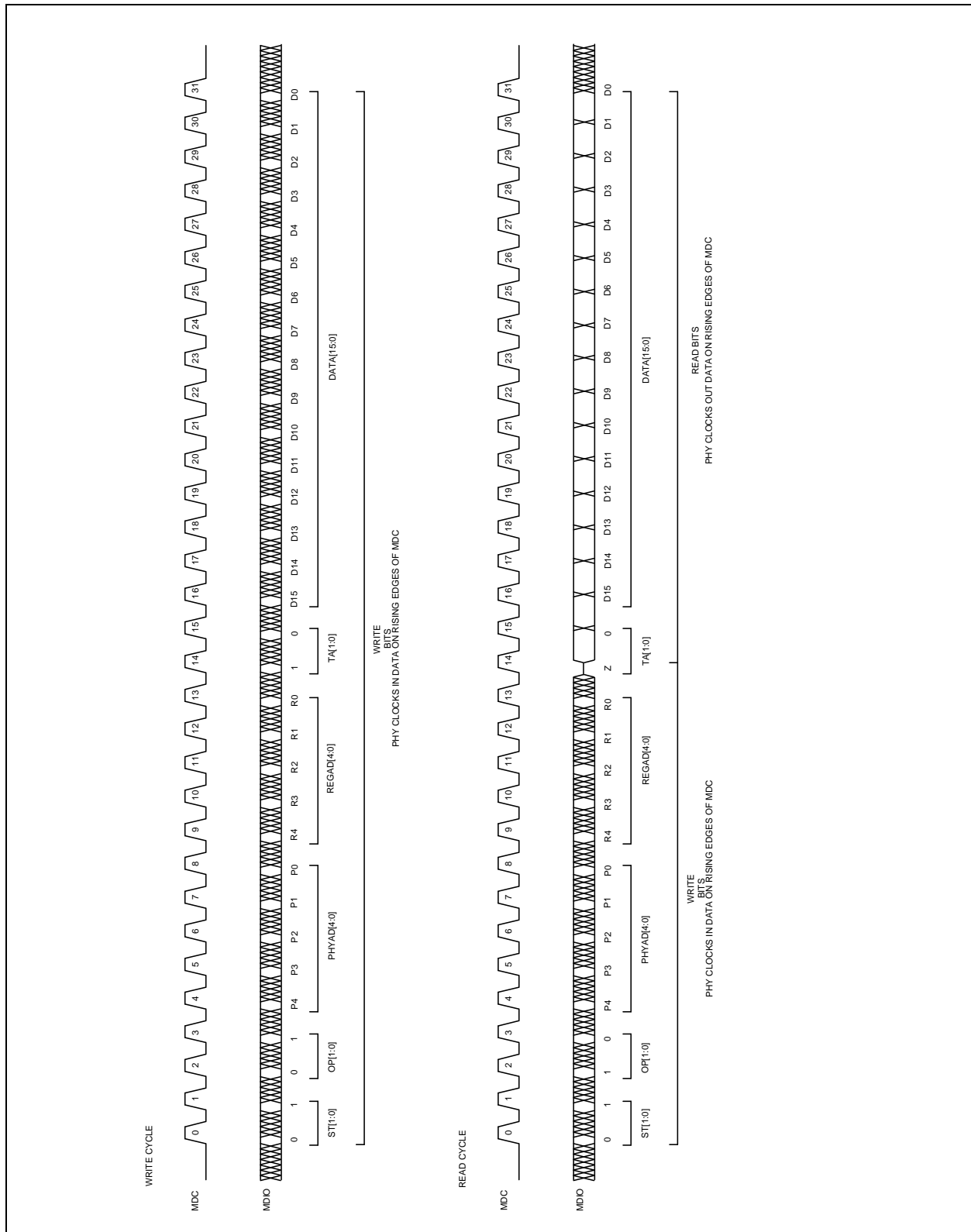
complete register has been read/written, the serial shift process is halted, data is latched into the device, and MDIO goes into high impedance state. Another serial shift cycle cannot be initiated until the idle condition (at least 32 continuous 1's) is detected.

7.5.3 MI SERIAL PORT FRAME STRUCTURE

The structure of the PHY serial port frame is shown in [Table 9-1](#) and timing diagram of a frame is shown in [Figure 7-1](#). Each serial port access cycle consists of 32 bits (or 192 bits if multiple register access is enabled and REGAD[4:0]=11111), exclusive of idle. The first 16 bits of the serial port cycle are always write bits and are used for addressing. The last 16/176 bits are from one/all of the 11 data registers.

The first 2 bit in [Table 9-1](#) and [Figure 7-1](#) are start bits and need to be written as a 01 for the serial port cycle to continue. The next 2 bits are a read and write bit which determine if the accessed data register bits will be read or write. The next 5 bits are device addresses. The next 5 bits are register address select bits, which select one of the five data registers for access. The next 1 bit is a turnaround bit which is not an actual register bit but extra time to switch MDIO from write to read if necessary, as shown in [Figure 7-1](#). The final 16 bits of the PHY MI serial port cycle (or 176 bits if multiple register access is enabled and REGAD[4:0]=11111) come from the specific data register designated by the register address bits REGAD[4:0].

FIGURE 7-1: MI SERIAL PORT FRAME TIMING DIAGRAM

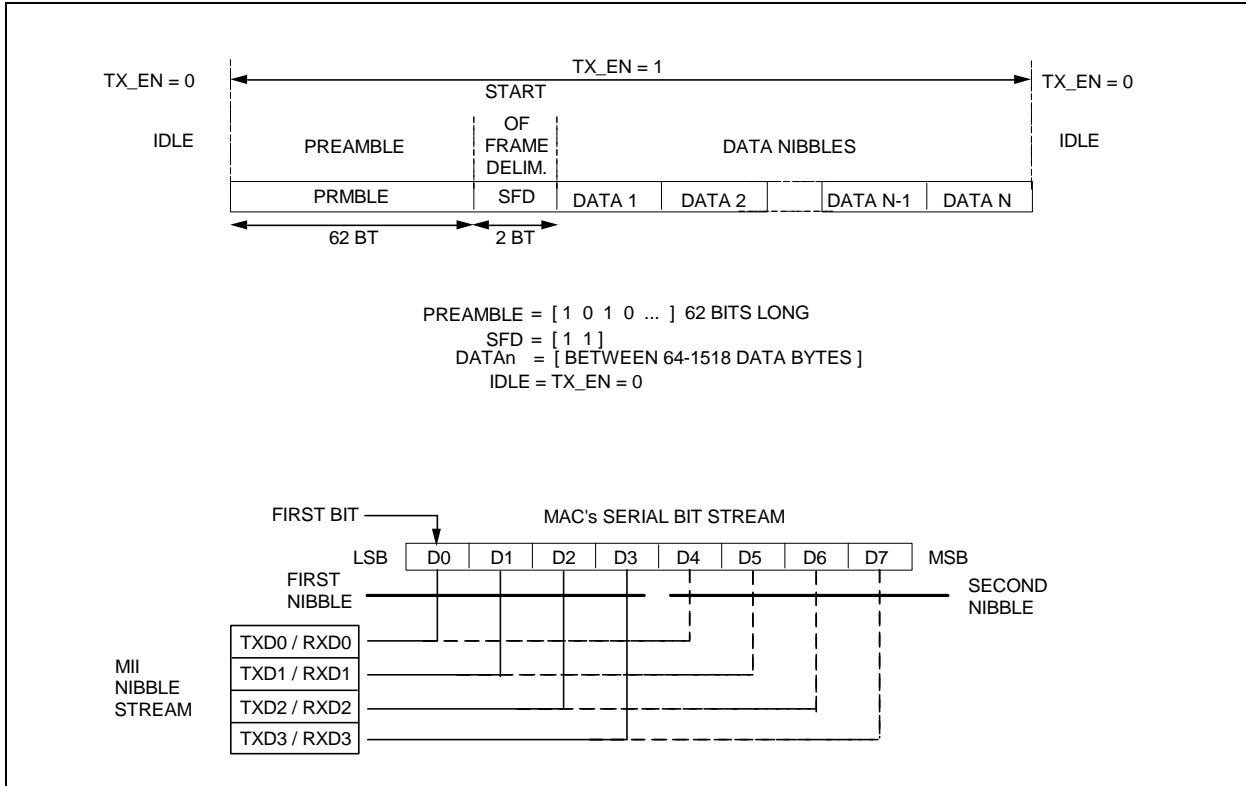


LAN91C111

7.5.4 MII PACKET DATA COMMUNICATION WITH EXTERNAL PHY

The MII is a nibble wide packet data interface defined in IEEE 802.3. The LAN91C111 meets all the MII requirements outlined in IEEE 802.3 and shown in Figure 7-2.

FIGURE 7-2: MII FRAME FORMAT & MII NIBBLE ORDER



The MII consists of the following signals: four transmit data bits (TXD[3:0]), transmit clock (TX25), transmit enable (TXEN100), four receive data bits (RXD[3:0]), receive clock (RX25), carrier sense (CRS100), receive data valid (RX_DV), receive data error (RX_ER), and collision (COL100). Transmit data is clocked out using the TX25 clock input, while receive data is clocked in using RX25. The transmit and receive clocks operate at 25 MHz in 100Mbps mode and 2.5 MHz in 10Mbps.

In 100 Mbps mode, the LAN91C111 provides the following interface signals to the PHY:

- For transmission: TXEN100, TXD0-3, TX25
- For reception: RX_DV, RX_ER, RXD0-3, RX25
- For CSMA/CD state machines: CRS100, COL100

A transmission begins by TXEN100 going active (high), and TXD0-TXD3 having the first valid preamble nibble. TXD0 carries the least significant bit of the nibble (that is the one that would go first out of the EPH at 100 Mbps), while TXD3 carries the most significant bit of the nibble. TXEN100 and TXD0-TXD3 are clocked by the LAN91C111 using TX25 rising edges. TXEN100 goes inactive at the end of the packet on the last nibble of the CRC.

During a transmission, COL100 might become active to indicate a collision. COL100 is asynchronous to the LAN91C111's clocks and will be synchronized internally to TX25.

Reception begins when RX_DV (receive data valid) is asserted. A preamble pattern or flag octet will be present at RXD0-RXD3 when RX_DV is activated. The LAN91C111 requires no training sequence beyond a full flag octet for reception. RX_DV as well as RXD0-RXD3 are sampled on RX25 rising edges. RXD0 carries the least significant bit and RXD3 the most significant bit of the nibble. RX_DV goes inactive when the last valid nibble of the packet (CRC) is presented at RXD0-RXD3.

RX_ER might be asserted during packet reception to signal the LAN91C111 that the present receive packet is invalid. The LAN91C111 will discard the packet by treating it as a CRC error.

RXD0-RXD3 should always be aligned to packet nibbles, therefore, opening flag detection does not consider misaligned cases. Opening flag detection expects the 5Dh pattern and will not reject the packet on non-preamble patterns.

CRS100 is used as a frame envelope signal for the CSMA/CD MAC state machines (deferral and backoff functions), but it is not used for receive framing functions. CRS100 is an asynchronous signal and it will be active whenever there is activity on the cable, including LAN91C111 transmissions and collisions.

7.6 Serial EEPROM Interface

This block is responsible for reading the serial EEPROM upon hardware reset (or equivalent command) and defining defaults for some key registers. A write operation is also implemented by this block, that under CPU command will program specific locations in the EEPROM. This block is an autonomous state machine and controls the internal Data Bus of the LAN91C111 during active operation.

7.7 Internal Physical Layer

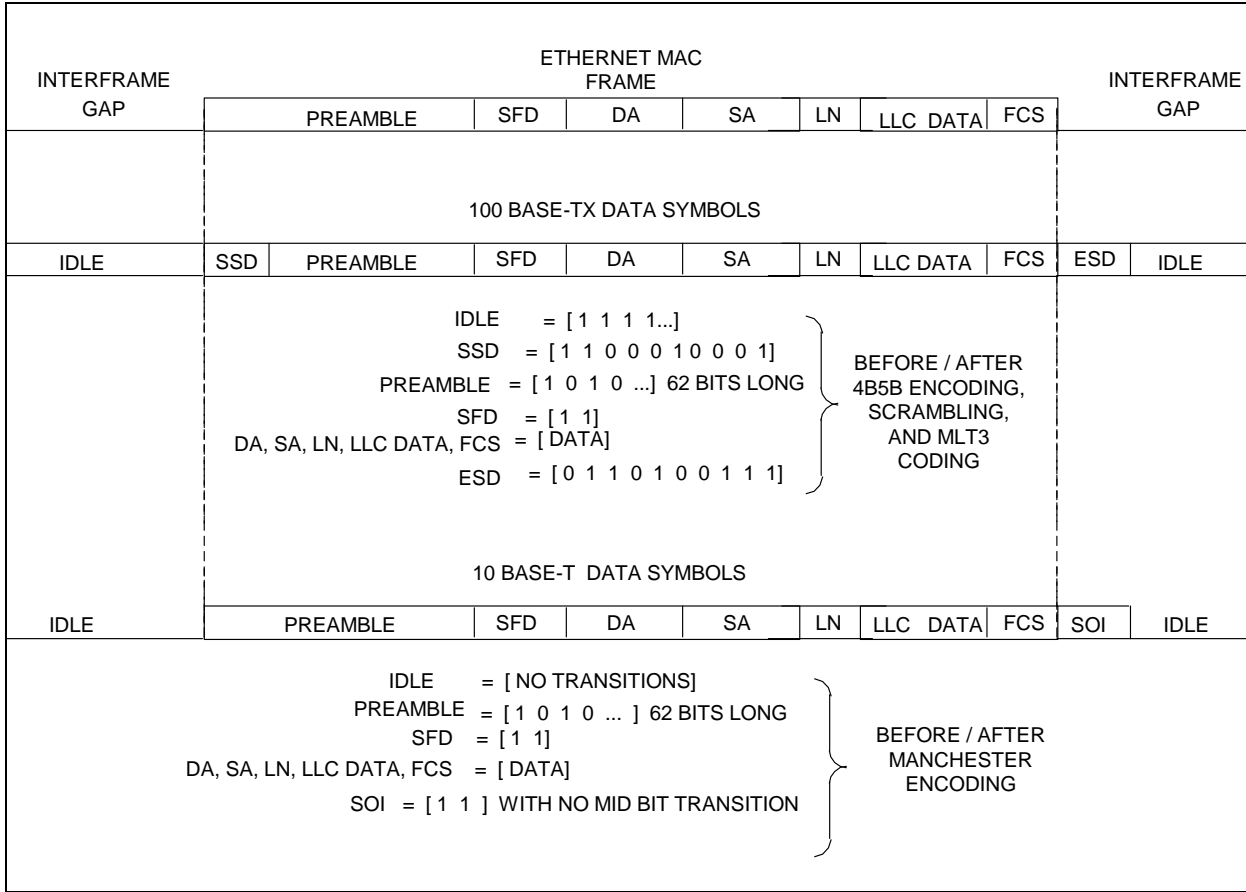
The LAN91C111 integrates the IEEE 802.3 physical layer (PHY) internally. The EXT PHY bit in the Configuration Register is 0 as the default configuration to set the internal PHY enabled. The internal PHY address is 00000, the driver must use this address to talk to the internal PHY. *The internal PHY is placed in isolation mode at power up and reset. It can be removed from isolation mode by clearing the MII_DIS bit in the PHY Control Register. If necessary, the internal PHY can be enabled by clearing the EXT_PHY bit in the Configuration Register.*

The internal PHY of LAN91C111 has nine main sections: controller interface, encoder, decoder, scrambler, descrambler, clock and data recovery, twisted pair transmitter, twisted pair receiver, and MI serial port.

The LAN91C111 can operate as a 100BASE-TX device (hereafter referred to as 100Mbps mode) or as a 10BASE-T device (hereafter referred to as 10Mbps mode). The difference between the 100Mbps mode and the 10Mbps mode is data rate, signaling protocol, and allowed wiring. The 100Mbps TX mode uses two pairs of category 5 or better UTP or STP twisted pair cable with 4B5B encoded, scrambled, and MLT-3 coded 62.5 MHz ternary data to achieve a throughput of 100Mbps. The 10Mbps mode uses two pairs of category 3 or better UTP or STP twisted pair cable with Manchester encoded, 10MHz binary data to achieve a 10Mbps throughput. The data symbol format on the twisted pair cable for the 100 and 10Mbps modes are defined in IEEE 802.3 specifications and shown in [Figure 7-3](#).

LAN91C111

FIGURE 7-3: TX/10BT FRAME FORMAT



On the transmit side for 100Mbps TX operation, data is received on the controller and then sent to the 4B5B encoder for formatting. The encoded data is then sent to the scrambler. The scrambled and encoded data is then sent to the TP transmitter. The TP transmitter converts the encoded and scrambled data into MLT-3 ternary format, reshapes the output, and drives the twisted pair cable.

On the receive side for 100Mbps TX operation, the twisted pair receiver receives incoming encoded and scrambled MLT-3 data from the twisted pair cable, remove any high frequency noise, equalizes the input signal to compensate for the effects of the cable, qualifies the data with a squelch algorithm, and converts the data from MLT-3 coded twisted pair levels to internal digital levels. The output of the twisted pair receiver then goes to a clock and data recovery block which recovers a clock from the incoming data, uses the clock to latch in valid data into the device, and converts the data back to NRZ format. The NRZ data is then unscrambled and decoded by the 4B5B decoder and descrambler, respectively, and outputted to the Ethernet controller.

10Mbps operation is similar to the 100Mbps TX operation except, (1) there is no scrambler/descrambler, (2) the encoder/decoder is Manchester instead of 4B5B, (3) the data rate is 10Mbps instead of 100Mbps, and (4) the twisted pair symbol data is two level Manchester instead of ternary MLT-3.

The Management Interface, (hereafter referred to as the MI serial port), is a two pin bi-directional link through which configuration inputs can be set and status outputs can be read. Each block plus the operating modes are described in more detail in the following sections.

7.7.1 MII DISABLE

The internal PHY MII interface can be disabled by setting the MII disable bit in the MI serial port Control register. When the MII is disabled, the MII inputs are ignored, the MII outputs are placed in high impedance state, and the TP output is high impedance.

7.7.2 ENCODER

7.7.2.1 4B5B Encoder - 100 Mbps

100BASE-TX requires that the data be 4B5B encoded. 4B5B coding converts the 4-Bit data nibbles into 5-Bit data code words. The mapping of the 4B nibbles to the 5B code words is specified in IEEE 802.3. The 4B5B encoder on the LAN91C111 takes 4B nibbles from the controller interface, converts them into 5B words and sends the 5B words to the scrambler. The 4B5B encoder also substitutes the first 8 bits of the preamble with the SSD delimiters (a.k.a. /J/K/ symbols) and adds an ESD delimiter (a.k.a. MR/ symbols) to the end of every packet, as defined in IEEE 802.3. The 4B5B encoder also fills the period between packets, called the idle period, with the continuous stream of idle symbols.

7.7.2.2 Manchester Encoder - 10 Mbps

The Manchester encoding process combines clock and NRZ data such that the first half of the data bit contains the complement of the data, and the second half of the data bit contains the true data, as specified in IEEE 802.3. This ensures that a transition always occurs in the middle of the bit call. The Manchester encoder on the LAN91C111 converts the 10Mbps NRZ data from the controller interface into a Manchester Encoded data stream for the TP transmitter and adds a start of idle pulse (SOI) at the end of the packet as specified in IEEE 802.3. The Manchester encoding process is only done on actual packet data, and the idle period between packets is not Manchester encoded and filled with link pulses.

7.7.3 DECODER

7.7.3.1 4B5B Decoder - 100 Mbps

Since the TP input data is 4B5B encoded on the transmit side, it must also be decoded by the 4B5B decoder on the receive side. The mapping of the 5B nibbles to the 4B code words is specified in IEEE 802.3. The 4B5B decoder on the LAN91C111 takes the 5B code words from the descrambler, converts them into 4B nibbles per Table 2, and sends the 4B nibbles to the controller interface. The 4B5B decoder also strips off the SSD delimiter (a.k.a. /J/K/ symbols) and replaces them with two 4B Data 5 nibbles (a.k.a. /5/ symbol), and strips off the ESD delimiter (a.k.a. /T/R/ symbols) and replaces it with two 4B Data 0 nibbles (a.k.a. /I/symbol), per IEEE 802.3 specifications and shown in [Figure 7-3](#).

TABLE 7-1: 4B/5B SYMBOL MAPPING

| Symbol Name | Description | 5B Code | 4B Code |
|-------------|-------------|---------|---------|
| 0 | Data 0 | 11110 | 0000 |
| 1 | Data 1 | 01001 | 0001 |
| 2 | Data 2 | 10100 | 0010 |
| 3 | Data 3 | 10101 | 0011 |
| 4 | Data 4 | 01010 | 0100 |
| 5 | Data 5 | 01011 | 0101 |
| 6 | Data 6 | 01110 | 0110 |
| 7 | Data 7 | 01111 | 0111 |
| 8 | Data 8 | 10010 | 1000 |
| 9 | Data 9 | 10011 | 1001 |
| A | Data A | 10110 | 1010 |
| B | Data B | 10111 | 1011 |
| C | Data C | 11010 | 1100 |
| D | Data D | 11011 | 1101 |
| E | Data E | 11100 | 1110 |

LAN91C111

TABLE 7-1: 4B/5B SYMBOL MAPPING (CONTINUED)

| Symbol Name | Description | 5B Code | 4B Code |
|-------------|---------------|-------------|-----------|
| F | Data F | 11101 | 1111 |
| I | Idle | 11111 | 0000 |
| J | SSD #1 | 11000 | 0101 |
| K | SSD #2 | 10001 | 0101 |
| T | ESD #1 | 01101 | 0000 |
| R | ESD #2 | 00111 | 0000 |
| H | Halt | 00100 | Undefined |
| --- | Invalid codes | All others* | 0000* |

* These 5B codes are not used. For decoder, these 5B codes are decoded to 4B 0000. For encoder, 4B 0000 is encoded to 5B 11110, as shown in symbol Data 0.

The 4B5B decoder detects SSD, ESD and codeword errors in the incoming data stream as specified in IEEE 802.3. These errors are indicated by asserting RX_ER output while the errors are being transmitted across RXD[3:0], and they are also indicated in the serial port by setting SSD, ESD, and codeword error bits in the PHY MI serial port Status Output register.

7.7.3.2 Manchester Decoder - 10 Mbps

In Manchester coded data, the first half of the data bit contains the complement of the data, and the second half of the data bit contains the true data. The Manchester decoder in the LAN91C111 converts the Manchester encoded data stream from the TP receiver into NRZ data for the controller interface by decoding the data and stripping off the SOI pulse. Since the clock and data recovery block has already separated the clock and data from the TP receiver, the Manchester decoding process to NRZ data is inherently performed by that block.

7.7.4 CLOCK AND DATA RECOVERY

7.7.4.1 Clock Recovery - 100 Mbps

Clock recovery is done with a PLL. If there is no valid data present on the TP inputs, the PLL is locked to the 25 MHz TX25. When valid data is detected on the TP inputs with the squelch circuit and when the adaptive equalizer has settled, the PLL input is switched to the incoming data on the TP input. The PLL then recovers a clock by locking onto the transitions of the incoming signal from the twisted pair wire. The recovered clock frequency is a 25 MHz nibble clock, and that clock is outputted on the controller interface signal RX25.

7.7.4.2 Data Recovery - 100 Mbps

Data recovery is performed by latching in data from the TP receiver with the recovered clock extracted by the PLL. The data is then converted from a single bit stream into nibble wide data word according to the format shown in [Figure 7-2](#).

7.7.4.3 Clock Recovery - 10 Mbps

The clock recovery process for 10Mbps mode is identical to the 100Mbps mode except, (1) the recovered clock frequency is 2.5 MHz nibble clock, (2) the PLL is switched from TX25 to the TP input when the squelch indicates valid data, (3) The PLL takes up to 12 transitions (bit times) to lock onto the preamble, so some of the preamble data symbols are lost, but the clock recovery block recovers enough preamble symbols to pass at least 6 nibbles of preamble to the receive controller interface as shown in [Figure 7-2](#).

7.7.4.4 Data Recovery - 10 Mbps

The data recovery process for 10Mbps mode is identical to the 100Mbps mode. As mentioned in the Manchester Decoder section, the data recovery process inherently performs decoding of Manchester encoded data from the TP inputs.

7.7.5 SCRAMBLER

7.7.5.1 100 Mbps

100BASE-TX requires scrambling to reduce the radiated emissions on the twisted pair. The LAN91C111 scrambler takes the encoded data from the 4B5B encoder, scrambles it per the IEEE 802.3 specifications, and sends it to the TP transmitter.

7.7.5.2 10 Mbps

A scrambler is not used in 10Mbps mode.

7.7.5.3 Scrambler Bypass

The scrambler can be bypassed by setting the bypass scrambler/descrambler bit in the PHY MI serial port Configuration 1 register. When this bit is set, the 5B data bypasses the scrambler and goes directly from the 4B5B encoder to the twisted pair transmitter.

7.7.6 DESCRAMBLER

7.7.6.1 100 Mbps

The LAN91C111 descrambler takes the scrambled data from the data recovery block, descrambles it per the IEEE 802.3 specifications, aligns the data on the correct 5B word boundaries, and sends it to the 4B5B decoder.

The algorithm for synchronization of the descrambler is the same as the algorithm outlined in the IEEE 802.3 specification. Once the descrambler is synchronized, it will maintain synchronization as long as enough descrambled idle pattern 1's are detected within a given interval. To stay in synchronization, the descrambler needs to detect at least 25 consecutive descrambled idle pattern 1's in a 1ms interval. If 25 consecutive descrambled idle pattern 1's are not detected within the 1ms interval, the descrambler goes out of synchronization and restarts the synchronization process.

If the descrambler is in the unsynchronized state, the descrambler loss of synchronization detect bit is set in the MI serial port Status Output register to indicate this condition. Once this bit is set, it will stay set until the descrambler achieves synchronization.

7.7.6.2 10 Mbps

A descrambler is not used in 10 Mbps mode.

7.7.6.3 Descrambler Bypass

The descrambler can be bypassed by setting the bypass scrambler/descrambler bit in the PHY MI serial port Configuration 1 register. When this bit is set, the data bypasses the descrambler and goes directly from the TP receiver to the 4B5B decoder.

7.7.7 TWISTED PAIR TRANSMITTER

7.7.7.1 Transmitter - 100 Mbps

The TX transmitter consists of MLT-3 encoder, waveform generator and line driver.

The MLT-3 encoder converts the NRZ data from the scrambler into a three level MLT-3 code required by IEEE 802.3. MLT-3 coding uses three levels and converts 1's to transitions between the three levels, and converts 0's to no transitions or changes in level.

The purpose of the waveform generator is to shape the transmit output pulse. The waveform generator takes the MLT-3 three level encoded waveform and uses an array of switched current sources to control the rise/fall time and level of the signal at the Output. The output of the switched current sources then goes through a low pass filter in order to "smooth" the current output and remove any high frequency components. In this way, the waveform generator pre-shapes the output waveform transmitted onto the twisted pair cable to meet the pulse template requirements outlined in IEEE 802.3. The waveform generator eliminates the need for any external filters on the TP transmit output.

The line driver converts the shaped and smoothed waveform to a current output that can drive 100 meters of category 5 unshielded twisted pair cable or 150 Ohm shielded twisted pair cable.

LAN91C111

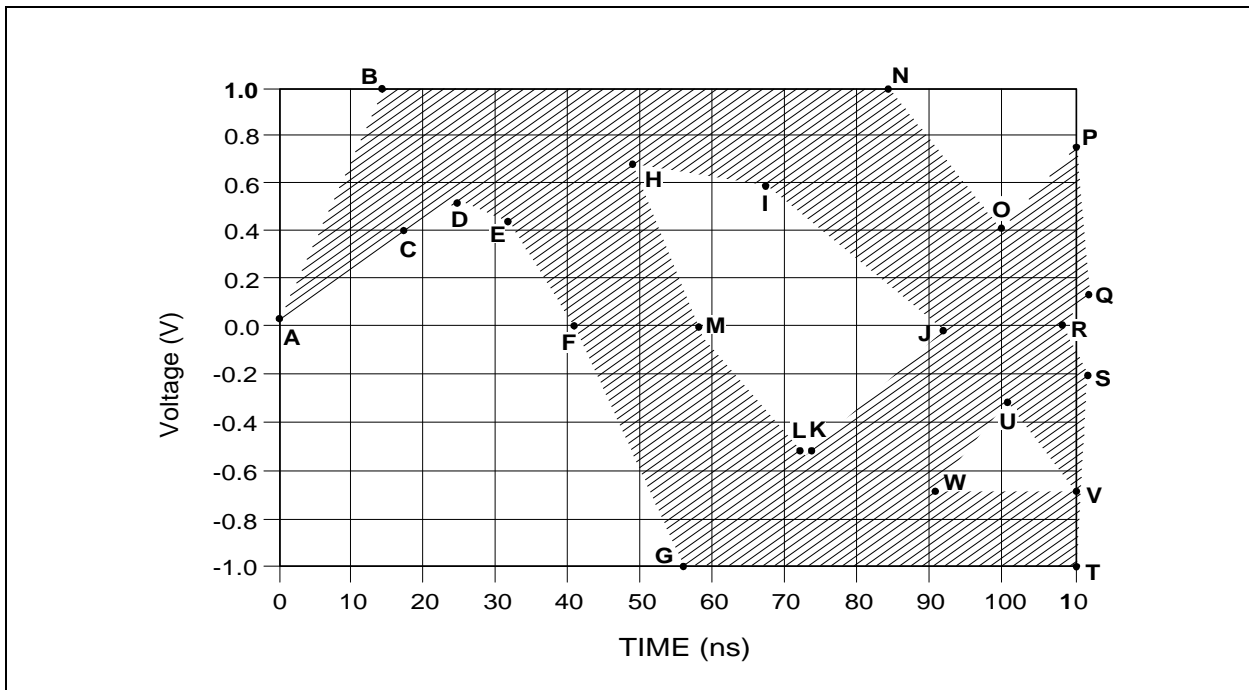
7.7.7.2 Transmitter - 10 Mbps

The transmitter operation in 10 Mbps mode is much different than the 100 Mbps transmitter. Even so, the transmitter still consists of a waveform generator and line driver.

The purpose of the waveform generator is to shape the output transmit pulse. The waveform generator consists of a ROM, DAC, dock generator, and filter. The DAC generates a stair-stepped representation of the desired output waveform. The stairstepped DAC output then goes through a low pass filter in order to "smooth" the DAC output and remove any high frequency components. The DAC values are determined from the ROM outputs; the ROM contents are chosen to shape the pulse to the desired template and are clocked into the DAC at high speed by the clock generator. In this way, the waveform generator preshapes the output waveform to be transmitted onto the twisted pair cable to meet the pulse template requirements outlined in IEEE 802.3 Clause 14 and also shown in Figure 7-4. The waveshaper replaces and eliminates external filters on the TP transmit output.

The line driver converts the shaped and smoothed waveform to a current output that can drive 100 meters of category 3/4/5 100 Ohm unshielded twisted pair cable or 150 Ohm shielded twisted pair cable tied directly to the TP output pins without any external filters. During the idle period, no output signal is transmitted on the TP outputs (except link pulse).

FIGURE 7-4: TP OUTPUT VOLTAGE TEMPLATE - 10 MBPS



| Reference | Time (NS) Internal MAU | Voltage (V) |
|-----------|------------------------|-------------|
| A | 0 | 0 |
| B | 15 | 1.0 |
| C | 15 | 0.4 |
| D | 25 | 0.55 |
| E | 32 | 0.45 |
| F | 39 | 0 |

| Reference | Time (NS) Internal MAU | Voltage (V) |
|-----------|------------------------|-------------|
| G | 57 | -1.0 |
| H | 48 | 0.7 |
| I | 67 | 0.6 |
| J | 89 | 0 |
| K | 74 | -0.55 |
| L | 73 | -0.55 |
| M | 61 | 0 |
| N | 85 | 1.0 |
| O | 100 | 0.4 |
| P | 110 | 0.75 |
| Q | 111 | 0.15 |
| R | 111 | 0 |
| S | 111 | -0.15 |
| T | 110 | -1.0 |
| U | 100 | -0.3 |
| V | 110 | -0.7 |
| W | 90 | -0.7 |

7.7.7.3 Transmit Level Adjust

The transmit output current level is derived from an internal reference voltage and the external resistor on RBIAS pin. The transmit level can be adjusted with either (1) the external resistor on the RBIAS pin, or (2) the four transmit level adjust bits in the PHY MI serial port Configuration 1 register as shown in [Table 7-2](#). The adjustment range is approximately -14% to +16% in 2% steps.

TABLE 7-2: TRANSMIT LEVEL ADJUST

| TLVL[3:0] | Gain |
|-----------|------|
| 0000 | 1.16 |
| 0001 | 1.14 |
| 0010 | 1.12 |
| 0011 | 1.10 |
| 0100 | 1.08 |
| 0101 | 1.06 |
| 0110 | 1.04 |
| 0111 | 1.02 |

LAN91C111

TABLE 7-2: TRANSMIT LEVEL ADJUST (CONTINUED)

| TLVL[3:0] | Gain |
|-----------|------|
| 1000 | 1.00 |
| 1001 | 0.98 |
| 1010 | 0.96 |
| 1011 | 0.94 |
| 1100 | 0.92 |
| 1101 | 0.90 |
| 1110 | 0.88 |
| 1111 | 0.86 |

7.7.7.4 Transmit Rise and Fall Time Adjust

The transmit output rise and fall time can be adjusted with the two transmit rise/fall time adjust bits in the PHY MI serial port Configuration 1. The adjustment range is -0.25ns to +0.5ns in 0.25ns steps.

7.7.7.5 STP (150 Ohm) Cable Mode

The transmitter can be configured to drive 150 Ohm shielded twisted pair cable. The STP mode can be selected by appropriately setting the cable type select bit in the PHY MI serial port Configuration 1 register. When STP mode is enabled, the output current is automatically adjusted to comply with IEEE 802.3 levels.

7.7.7.6 Transmit Disable

The TP transmitter can be disabled by setting the transmit disable bit in the PHY MI serial port Configuration 1 register. When the transmit disable bit is set, the TP transmitter is forced into the idle state, no data is transmitted, no link pulses are transmitted, and internal loopback is disabled.

7.7.7.7 Transmit Powerdown

The TP transmitter can be powered down by setting the transmit powerdown bit in the PHY MI serial port Configuration 1 register. When the transmit powerdown bit is set, the TP transmitter is powered down, the TP transmit outputs are high impedance, and the rest of the LAN91C111 operates normally.

7.7.8 TWISTED PAIR RECEIVER

7.7.8.1 Receiver - 100 Mbps

The TX receiver detects input signals from the twisted pair input and converts it to a digital data bit stream ready for dock and data recovery. The receiver can reliably detect data from a 100BASE-TX transmitter that has been passed through 0-100 meters of 100-Ohm category 5 UTP or 150 Ohm STP.

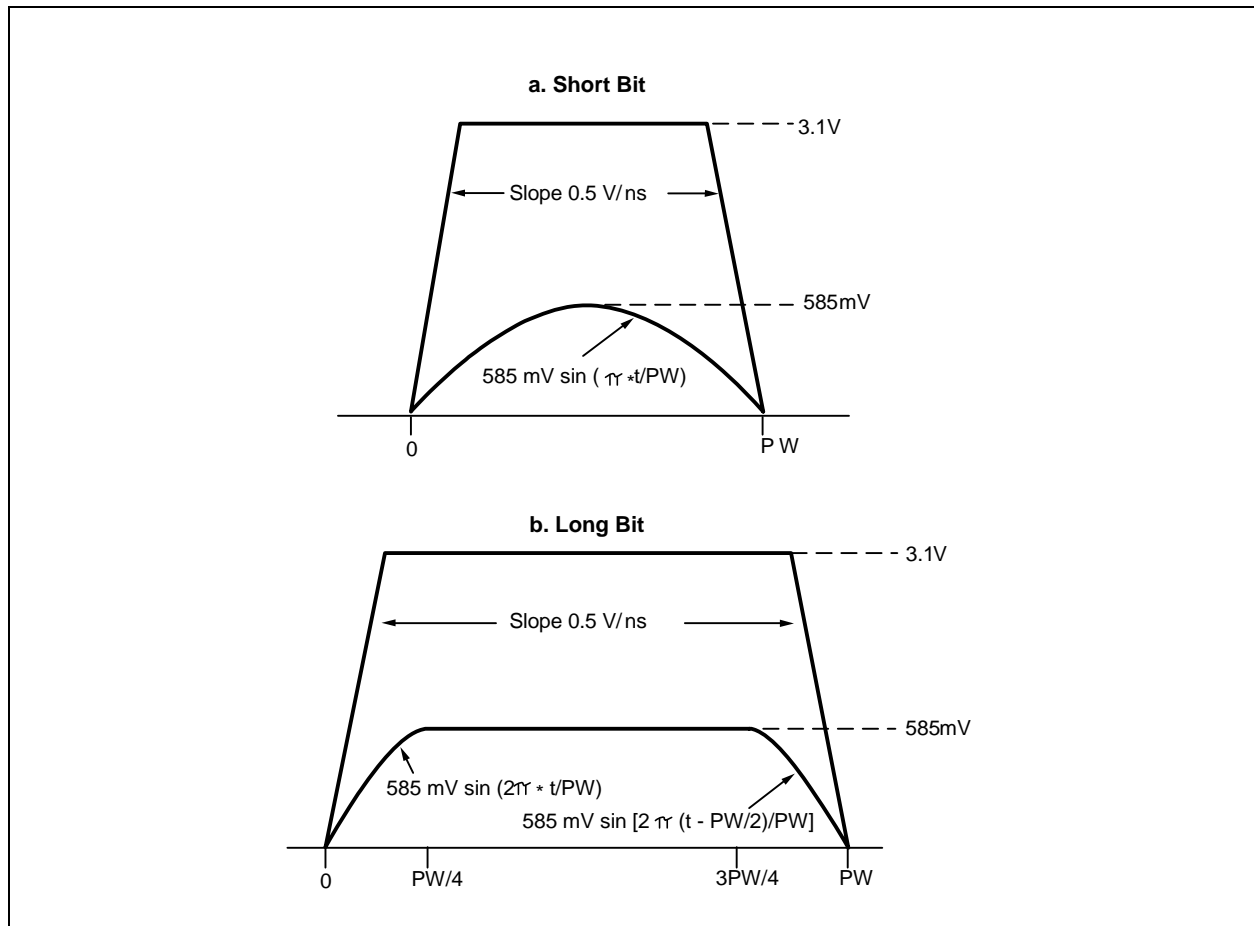
The TX receiver consists of an adaptive equalizer, baseline wander correction circuit, comparators, and MLT-3 decoder. The TP inputs first go to an adaptive equalizer. The adaptive equalizer compensates for the low pass characteristic of the cable, and it has the ability to adapt and compensate for 0-100 meters of category 5, 100 Ohm UTP or 150 Ohm STP twisted pair cable. The baseline wander correction circuit restores the DC component of the input waveform that was removed by external transformers. The comparators convert the equalized signal back to digital levels and are used to qualify the data with the squelch circuit. The MLT-3 decoder takes the three level MLT-3 digital data from the comparators and converts it to back to normal digital data to be used for dock and data recovery.

7.7.8.2 Receiver - 10 Mbps

The 10 Mbps receiver is able to detect input signals from the twisted pair cable that are within the template shown in [Figure 7-5](#). The inputs are biased by internal resistors. The TP inputs pass through a low pass filter designed to eliminate any high frequency noise on the input. The output of the receive filter goes to two different types of comparators, squelch and zero crossing. The squelch comparator determines whether the signal is valid, and the zero crossing comparator

is used to sense the actual data transitions once the signal is determined to be valid. The output of the squelch comparator goes to the squelch circuit and is also used for link pulse detection, SOI detection, and reverse polarity detection; the output of the zero crossing comparator is used for clock and data recovery in the Manchester decoder.

FIGURE 7-5: TP INPUT VOLTAGE TEMPLATE -10MBPS



7.7.8.3 TP Squelch - 100 Mbps

The squelch block determines if the TP input contains valid data. The 100 Mbps TP squelch is one of the criteria used to determine link integrity. The squelch comparators compare the TP inputs against fixed positive and negative thresholds, called squelch levels. The output from the squelch comparator goes to a digital squelch circuit which determines if the receive input data on that channel is valid. If the data is invalid, the receiver is in the squelched state. If the input voltage exceeds the squelch levels at least 4 times with alternating polarity within a 10 μ S interval, the data is considered to be valid by the squelch circuit and the receiver now enters into the unsquelch state. In the unsquelch state, the receive threshold level is reduced by approximately 30% for noise immunity reasons and is called the unsquelch level. When the receiver is in the unsquelch state, then the input signal is deemed to be valid. The device stays in the unsquelch state until loss of data is detected. Loss of data is detected if no alternating polarity unsquelch transitions are detected during any 10 μ S interval. When the loss of data is detected, the receive squelch is turned on again.

7.7.8.4 TP Squelch, 10 Mbps

The TP squelch algorithm for 10 Mbps mode is identical to the 100 Mbps mode except, (1) the 10 Mbps TP squelch algorithm is not used for link integrity but to sense the beginning of a packet, (2) the receiver goes into the unsquelch state if the input voltage exceeds the squelch levels for three bit times with alternating polarity within a 50-250 nS interval, (3) the receiver goes into the squelch state when idle is detected, (4) unsquelch detection has no affect on link integ-

LAN91C111

ity, link pulses are used for that in 10 Mbps mode, (5) start of packet is determined when the receiver goes into the unsquelch state as a CRS100 is asserted, and (6) the receiver meets the squelch requirements defined in IEEE 802.3 Clause 14.

7.7.8.5 Equalizer Disable

The adaptive equalizer can be disabled by setting the equalizer disable bit in the PHY MI serial port Configuration 1 register. When disabled, the equalizer is forced into the response it would normally have if zero cable length was detected.

7.7.8.6 Receive Level Adjust

The receiver squelch and unsquelch levels can be lowered by 4.5 dB by setting the receive level adjust bit in the PHY MI serial port Configuration 1 register. By setting this bit, the device may be able to support longer cable lengths.

7.7.9 COLLISION

7.7.9.1 100 Mbps

Collision occurs whenever transmit and receive occur simultaneously while the device is in Half Duplex.

Collision is sensed whenever there is simultaneous transmission (packet transmission on TPO±) and reception (non-idle symbols detected on TP input). When collision is detected, the MAC is notified. Once collision starts, the receive and transmit packets that caused the collision are terminated by their respective MACs until the responsible MACs terminate the transmission, the PHY continues to pass the data on.

The collision function is disabled if the device is in the Full Duplex mode, is in the Link Fail State, or if the device is in the diagnostic loopback mode.

7.7.9.2 10 Mbps

Collision in 10Mbps mode is identical to the 100Mbps mode except, (1) reception is determined by the 10Mbps squelch criteria, (2) data being passed to the MAC are forced to all 0's, (3) MAC is notified of the collision when the SQE test is performed, (4) MAC is notified of the collision when the jabber condition has been detected.

7.7.9.3 Collision Test

The MAC and PHY collision indication can be tested by setting the collision test register bit in the PHY MI serial port Control register. When this bit is set, internal TXEN from the MAC is looped back onto COL and the TP outputs are disabled.

7.7.10 START OF PACKET

7.7.10.1 100 Mbps

Start of packet for 100 Mbps mode is indicated by a unique Start of Stream Delimiter (referred to as SSD). The SSD pattern consists of the two /J/K/ 5B symbols inserted at the beginning of the packet in place of the first two preamble symbols, as defined in IEEE 802.3 Clause 24.

The transmit SSD is generated by the 4B5B encoder and the /J/K/ symbols are inserted by the 4B5B encoder at the beginning of the transmit data packet in place of the first two 5B symbols of the preamble.

The receive pattern is detected by the 4B5B decoder by examining groups of 10 consecutive code bits (two 5B words) from the descrambler. Between packets, the receiver will be detecting the idle pattern, which is 5B // symbols. While in the idle state, the MAC is notified that no data/invalid data is received.

If the receiver is in the idle state and 10 consecutive code bits from the receiver consist of the /J/K/ symbols, the start of packet is detected, data reception is begun, the MAC is notified that valid data is received, and 5/5/ symbols are substituted in place of the /J/K/ symbols.

If the receiver is in the idle state and 10 consecutive code bits from the receiver consist of a pattern that is neither // nor /J/K/ symbols but contains at least 2 non contiguous 0's, then activity is detected but the start of packet is considered to be faulty and a False Carrier Indication (also referred to as bad SSD) is signaled to the controller interface. When False Carrier is detected, the MAC is notified of false carrier and invalid received, and the bad SSD bit is set in the PHY MI serial port Status Output register. Once a False Carrier Event is detected, the idle pattern (two // symbols) must be detected before any new SSD's can be sensed.

If the receiver is in the idle state and 10 consecutive code bits from the receiver consist of a pattern that is neither */I/I/* nor */J/K/* symbols but does not contain at least 2 non-contiguous 0's, the data is ignored and the receiver stays in the idle state.

7.7.10.2 10 Mbps

Since the idle period in 10 Mbps mode is defined to be the period when no data is present on the TP inputs, then the start of packet for 10 Mbps mode is detected when valid data is detected by the TP squelch circuit. When start of packet is detected, carrier sense signal at internal MII is asserted as described in the Controller Interface section. Refer to the TP squelch section for 10 Mbps mode for the algorithm for valid data detection.

7.7.11 END OF PACKET

7.7.11.1 100 Mbps

End of packet for 100 Mbps mode is indicated by the End of Stream Delimiter (referred to as ESD). The ESD pattern consists of the two */T/R/* 4B5B symbols inserted after the end of the packet, as defined in IEEE 802.3 Clause 24.

The transmit ESD is generated by the 4B5B encoder and the */T/R/* symbols are inserted by the 4B5B encoder after the end of the transmit data packet.

The receive ESD pattern is detected by the 4B5B decoder by examining groups of 10 consecutive code bits (two 5B words) from the descrambler during valid packet reception to determine if there is an ESD.

If the 10 consecutive code bits from the receiver during valid packet reception consist of the */T/R/* symbols, the end of packet is detected, data reception is terminated, the MAC is notified of valid data received, and */I/I/* symbols are substituted in place of the */T/R/* symbols.

If 10 consecutive code bits from the receiver during valid packet reception do not consist of */T/R/* symbols but consist of */I/I/* symbols instead, then the packet is considered to have been terminated prematurely and abnormally. When this premature end of packet condition is detected, the MAC is notified of invalid data received for the nibble associated with the first */I/* symbol. Premature end of packet condition is also indicated by setting the bad ESD bit in the PHY MI serial port Status Output register.

7.7.11.2 10 Mbps

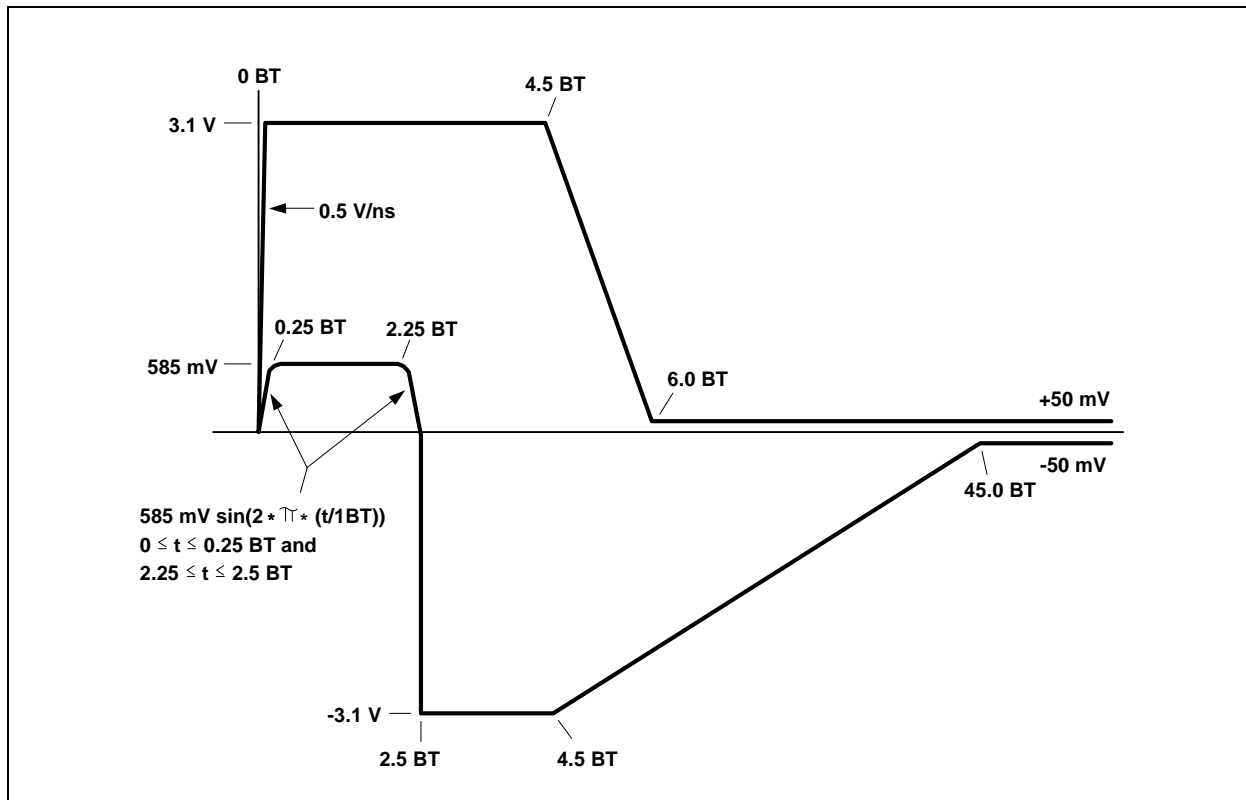
The end of packet for 10 Mbps mode is indicated with the SOI (Start of Idle) pulse. The SOI pulse is a positive pulse containing a Manchester code violation inserted at the end of every packet.

The transmit SOI pulse is generated by the TP transmitter and inserted at the end of the data packet after TXEN is deasserted. The transmitted SOI output pulse at the TP output is shaped by the transmit waveshaper to meet the pulse template requirements specified in IEEE 802.3 Clause 14 and shown in [Figure 7-6](#).

The receive SOI pulse is detected by the TP receiver by sensing missing data transitions. Once the SOI pulse is detected, data reception is ended and the MAC is notified of no data/invalid data received.

LAN91C111

FIGURE 7-6: SOI OUTPUT VOLTAGE TEMPLATE - 10MBPS



7.7.12 LINK INTEGRITY & AUTO-NEGOTIATION

7.7.12.1 General

The LAN91C111 can be configured to implement either the standard link integrity algorithms or the Auto-Negotiation algorithm.

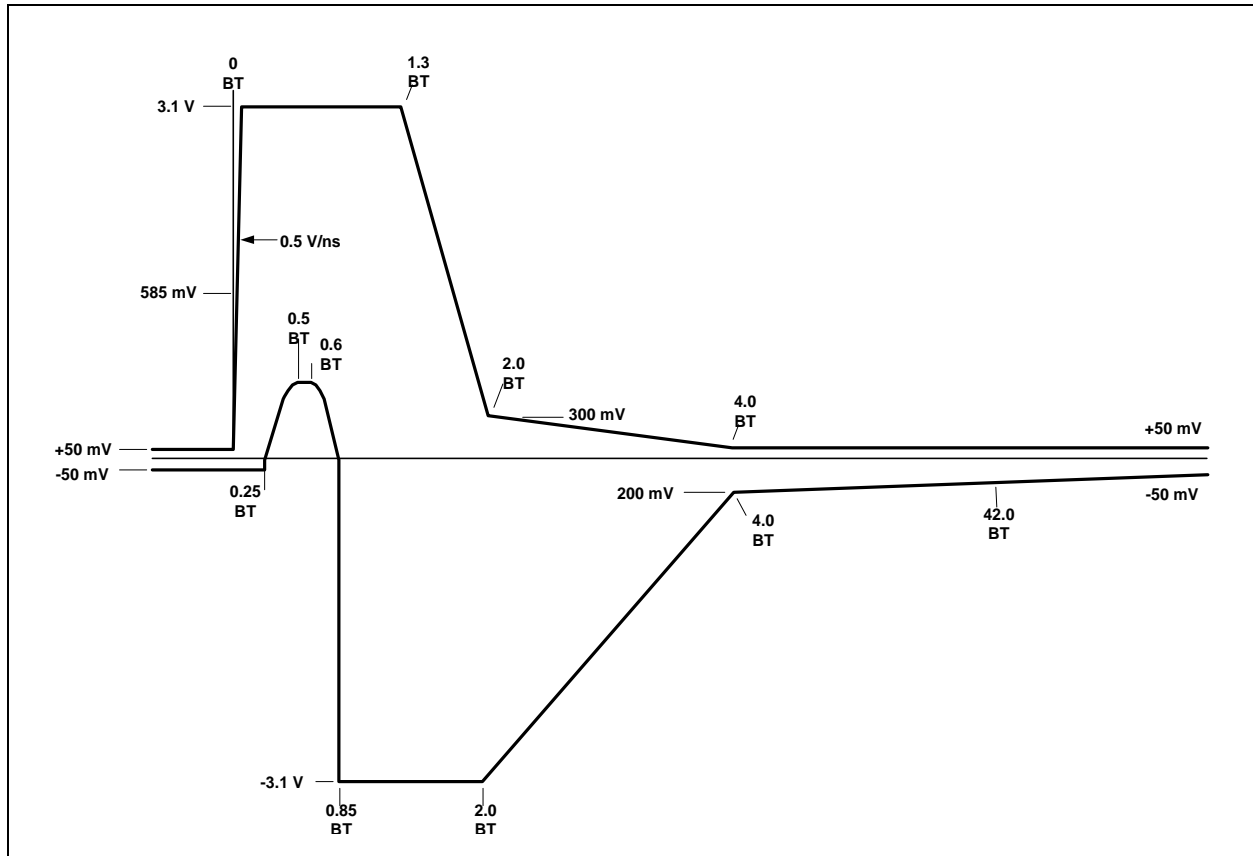
The standard link integrity algorithms are used solely to establish an active link to and from a remote device. There are different standard link integrity algorithms for 10 and 100 Mbps modes. The Auto-Negotiation algorithm is used for two purposes: (1) To automatically configure the device for either 10/100 Mbps and Half/Full Duplex modes, and (2) to establish an active link to and from a remote device. The standard link integrity and Auto-Negotiation algorithms are described below.

Auto-Negotiation is only specified for 100BASE-TX and 10BASE-T operation.

7.7.12.2 10BASE-T Link Integrity Algorithm - 10Mbps

The LAN91C111 uses the same 10BASE-T link integrity algorithm that is defined in IEEE 802.3 Clause 14. This algorithm uses normal link pulses, referred to as NLP's and transmitted during idle periods, to determine if a device has successfully established a link with a remote device (called Link Pass State). The transmit link pulse meets the template defined in IEEE 802.3 Clause 14 and shown in [Figure 7-7](#). Refer to IEEE 802.3 Clause 14 for more details if needed.

FIGURE 7-7: LINK PULSE OUTPUT VOLTAGE TEMPLATE - NLP, FLP



7.7.12.3 100BASE-TX Link Integrity Algorithm - 100Mbps

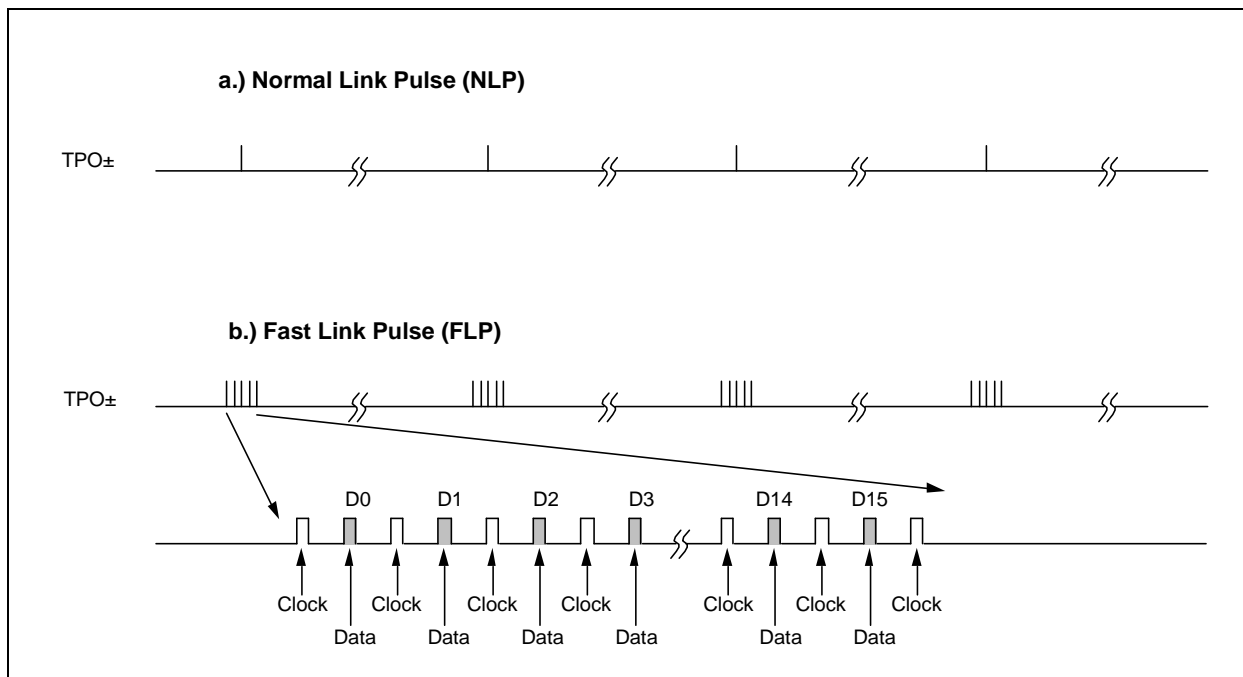
Since 100BASE-TX is defined to have an active idle signal, then there is no need to have separate link pulses like those defined for 10BASE-T. The LAN91C111 uses the squelch criteria and descrambler synchronization algorithm on the input data to determine if the device has successfully established a link with a remote device (called Link Pass State). Refer to IEEE 802.3 for both of these algorithms for more details.

7.7.12.4 Auto-Negotiation Algorithm

As stated previously, the Auto-Negotiation algorithm is used for two purposes: (1) To automatically configure the device for either 10/100 Mbps and Half/ Full Duplex modes, and (2) to establish an active link to and from a remote device. The Auto-Negotiation algorithm is the same algorithm that is defined in IEEE 802.3 Clause 28. Auto-Negotiation uses a burst of link pulses, called fast link pulses and referred to as FLP'S, to pass up to 16 bits of signaling data back and forth between the LAN91C111 and a remote device. The transmit FLP pulses meet the templated specified in IEEE 802.3 and shown in Figure 7-7. A timing diagram contrasting NLP's and FLP's is shown in Figure 7-8.

LAN91C111

FIGURE 7-8: NLP VS. FLP LINK PULSE



The Auto-Negotiation algorithm is initiated by any of these events: (1) Auto-Negotiation enabled, (2) a device enters the Link Fail State, (3) Auto-Negotiation Reset. Once a negotiation has been initiated, the LAN91C111 first determines if the remote device has Auto-Negotiation capability. If the remote device is not Auto-Negotiation capable and is just transmitting either a 10BASE-T or 100BASE-TX signal, the LAN91C111 will sense that and place itself in the correct mode. If the LAN91C111 detects FLP's from the remote device, then the remote device is determined to have Auto-Negotiation capability and the device then uses the contents of the MI serial port Auto-Negotiation Advertisement register and FLP's to advertise its capabilities to a remote device. The remote device does the same, and the capabilities read back from the remote device are stored in the PHY MI serial port Auto-Negotiation Remote End Capability register. The LAN91C111 negotiation algorithm then matches its capabilities to the remote device's capabilities and determines what mode the device should be configured to according to the priority resolution algorithm defined in IEEE 802.3 Clause 28. Once the negotiation process is completed, the LAN91C111 then configures itself for either 10 or 100 Mbps mode and either Full or Half Duplex modes (depending on the outcome of the negotiation process), and it switches to either the 100BASE-TX or 10BASE-T link integrity algorithms (depending on which mode was enabled by Auto-Negotiation). Refer to IEEE 802.3 Clause 28 for more details.

7.7.12.5 Auto-Negotiation Outcome Indication

The outcome or result of the Auto-Negotiation process is stored in the speed detect and duplex detect bits in the PHY MI serial port Status Output register.

7.7.12.6 Auto-Negotiation Status

The status of the Auto-Negotiation process can be monitored by reading the Auto-Negotiation acknowledgment bit in the MI serial port Status register. The MI serial port Status register contains a single Auto-Negotiation acknowledgment bit which indicates when an Auto-Negotiation has been initiated and successfully completed.

7.7.12.7 Auto-Negotiation Enable

The Auto-Negotiation algorithm can be enabled by setting both the ANEG bit in the MAC Receive/PHY Control Register and the ANEG_EN bit in the MI PHY Register 0 (Control register). Clearing either of these two bits will turn off Auto-Negotiation mode. When the Auto-Negotiation algorithm is enabled, the device halts all transmissions including link pulses for 1200-1500 ms, enters the Link Fail State, and restarts the negotiation process. When Auto-Negotiation mode is turned on or reset, software driver should wait for at least 1500ms to read the ANEG_ACK bit in the MI PHY Status Register to determine whether the Auto-Negotiation process has been completed. When the ANEG bit in the

Receive/PHY Control Register is cleared, Auto-Negotiation algorithm is disabled, the selection of 10/100 Mbps mode and duplex mode is determined by the SPEED bit and the DPLX bit in the MAC Receive/PHY Control register. When the ANEG bit in the Receive/PHY Control Register is set and the ANEG_EN bit in the MI PHY Register 0 (Control Register) is cleared, Auto-Negotiation algorithm is disabled, the selection of 10/100 Mbps mode and duplex mode is determined by the SPEED bit and the DPLX bit in the MI PHY Register 0 (Control Register).

7.7.12.8 Auto-Negotiation Reset

The Auto-Negotiation algorithm can be initiated at any time by setting the Auto-Negotiation reset bit in the PHY MI serial port Control register.

7.7.12.9 Link Disable

The link integrity function can be disabled by setting the link disable bit in the PHY MI serial port Configuration 1 register. When the link integrity function is disabled, the device is forced into the Link Pass state, configures itself for Half/Full Duplex based on the value of the duplex bit in the PHY MI serial port Control register, configures itself for 100/10 Mbps operation based on the values of the speed bit in the MI serial port Control register, and continues to transmit NLP'S or TX idle patterns, depending on whether the device is in 10 or 100 Mbps mode.

7.7.13 JABBER

7.7.13.1 100 Mbps

Jabber function is disabled in the 100 Mbps mode.

7.7.13.2 10 Mbps

Jabber condition occurs when the transmit packet exceeds a predetermined length. When jabber is detected, the TP transmit outputs are forced to the idle state, collision is asserted, and register bits in the PHY MI serial port Status and Status Output registers are set.

7.7.13.3 Jabber Disable

The jabber function can be disabled by setting the jabber disable bit in the PHY MI serial port Configuration 2 register.

7.7.14 RECEIVE POLARITY CORRECTION

7.7.14.1 100 Mbps

No polarity detection or correction is needed in 100Mbps mode.

7.7.14.2 10 Mbps

The polarity of the signal on the TP receive input is continuously monitored. If either 3 consecutive link pulses or one SOI pulse indicates incorrect polarity on the TP receive input, the polarity is internally determined to be incorrect, and a reverse polarity bit is set in the PHY MI serial port Status Output register.

The LAN91C111 will automatically correct for the reverse polarity condition provided that the autopolarity feature is not disabled.

| |
|---|
| Note: The first 3 received packets must be discarded after the correction of a reverse polarity condition. |
|---|

7.7.14.3 Autopolarity Disable

The autopolarity feature can be disabled by setting the autopolarity disable bit in the PHY MI serial port Configuration 2 register.

7.7.15 FULL DUPLEX MODE

7.7.15.1 100 Mbps

Full Duplex mode allows transmission and reception to occur simultaneously. When Full Duplex mode is enabled, collision is disabled.

The device can be either forced into Half or Full Duplex mode, or the device can detect either Half or Full Duplex capability from a remote device and automatically place itself in the correct mode.

LAN91C111

The device can be forced into the Full or Half Duplex modes by either setting the duplex bit in the MI serial port Control register.

The device can automatically configure itself for Full or Half Duplex modes by using the Auto-Negotiation algorithm to advertise and detect Full and Half Duplex capabilities to and from a remote terminal. All of this is described in detail in the Link Integrity and Auto-Negotiation section.

7.7.15.2 10 Mbps

Full Duplex in 10 Mbps mode is identical to the 100 Mbps mode.

7.7.15.3 100/10 Mbps Selection

General

The device can be forced into either the 100 or 10 Mbps mode, or the device also can detect 100 or 10 Mbps capability from a remote device and automatically place itself in the correct mode.

The device can be forced into either the 100 or 10 Mbps mode by setting the speed select bit in the PHY MI serial port Control register assuming Auto-Negotiation is not enabled.

The device can automatically configure itself for 100 or 10 Mbps mode by using the Auto-Negotiation algorithm to advertise and detect 100 and 10 Mbps capabilities to and from a remote terminal. All of this is described in detail in the Link Integrity & Auto-Negotiation section.

7.7.16 LOOPBACK

7.7.16.1 Diagnostic Loopback

A diagnostic loopback mode can also be selected by setting the loopback bit in the MI serial port Control register. When diagnostic loopback is enabled, transmit data at internal MII is looped back onto receive data output at internal MII, transmit enable signal is looped back onto carrier sense output at internal MII, the TP receive and transmit paths are disabled, the transmit link pulses are halted, and the Half/Full Duplex modes do not change.

7.7.17 PHY POWERDOWN

The internal PHY of LAN91C111 can be powered down by setting the powerdown bit in the PHY MI serial port Control register. In powerdown mode, the TP outputs are in high impedance state, all functions are disabled except the PHY MI serial port, and the power consumption is reduced to a minimum. To restore PHY to normal power mode, set the PDN bit in PHY MI Register 0 to 0. The PHY is then in isolation mode (MII_DIS bit is set); This MII_DIS bit is needed to be cleared. The device is ready for normal operation 500mS after powerdown is de-asserted.

Note: The PDN bit must not be set when the device is in external PHY mode.

7.7.18 PHY INTERRUPT

The LAN91C111 PHY has interrupt capability. The interrupt is triggered by certain output status bits (also referred to as interrupt bits) in the serial port. R/LT bits are read bits that latch on transition. R/LT bits are also interrupt bits if they are not masked out with the Mask register bits. Interrupt bits automatically latch themselves into their register locations and assert the interrupt indication when they change state. Interrupt bits stay latched until they are read. When interrupt bits are read, the interrupt indication is deasserted and the interrupt bits that caused the interrupt to happen are updated to their current value. Each interrupt bit can be individually masked and subsequently be removed as an interrupt bit by setting the appropriate mask register bits in the Mask register.

Interrupt indication is done in two ways: (1) MDINT bit in Interrupt Status Register, (2) INT bit in the PHY MI Serial Port Status Output register. The INT bit is an active high interrupt register bit that resides in the PHY MI Serial Port Status Output register.

7.8 Reset

The chip (MAC & PHY) performs an internal system reset when either (1) the RESET pin is asserted high for at least 100ns, (2) writing "1" to the SOFT_RST bit in the Receive Control Register, this reset bit is not a self-clearing bit, reset can be terminated by writing the bit low. It programs all registers to their default value. When reset is initiated by (1) and the EEPROM is presented and enabled, the controller will load the EEPROM to obtain the following configurations: 1) Configuration Register, 2) BASE Register, or/and 3) MAC Address. The internal MAC is not a power on reset device, thus reset is required after power up to ensure all register bits are in default state.

The internal PHY is reset when either (1) VDD is applied to the device, (2) the RST bit is set in the PHY MI serial port Control register, this reset bit is a self-clearing bit, and the PHY will return a "1" on reads to this bit until the reset is completed, 3) the RESET pin is asserted high, (4) the SOFT_RST bit is set high and then cleared. When reset is initiated by (1) or (2), an internal power-on reset pulse is generated which resets all internal circuits, forces the PHY MI serial port bits to their default values, and latches in new values for the MI address. After the power-on reset pulse has finished, the reset bit in the PHY MI serial port Control registers cleared and the device is ready for normal operation. When reset is initiated by (3), the same procedure occurs except the device stays in the reset state as long as the RESET pin is held high. The internal PHY is ready for normal operation 50 mS after the reset pin was de-asserted or the reset bit is set. Software driver requires to wait for 50mS after setting the RST bit to high to access the internal PHY again.

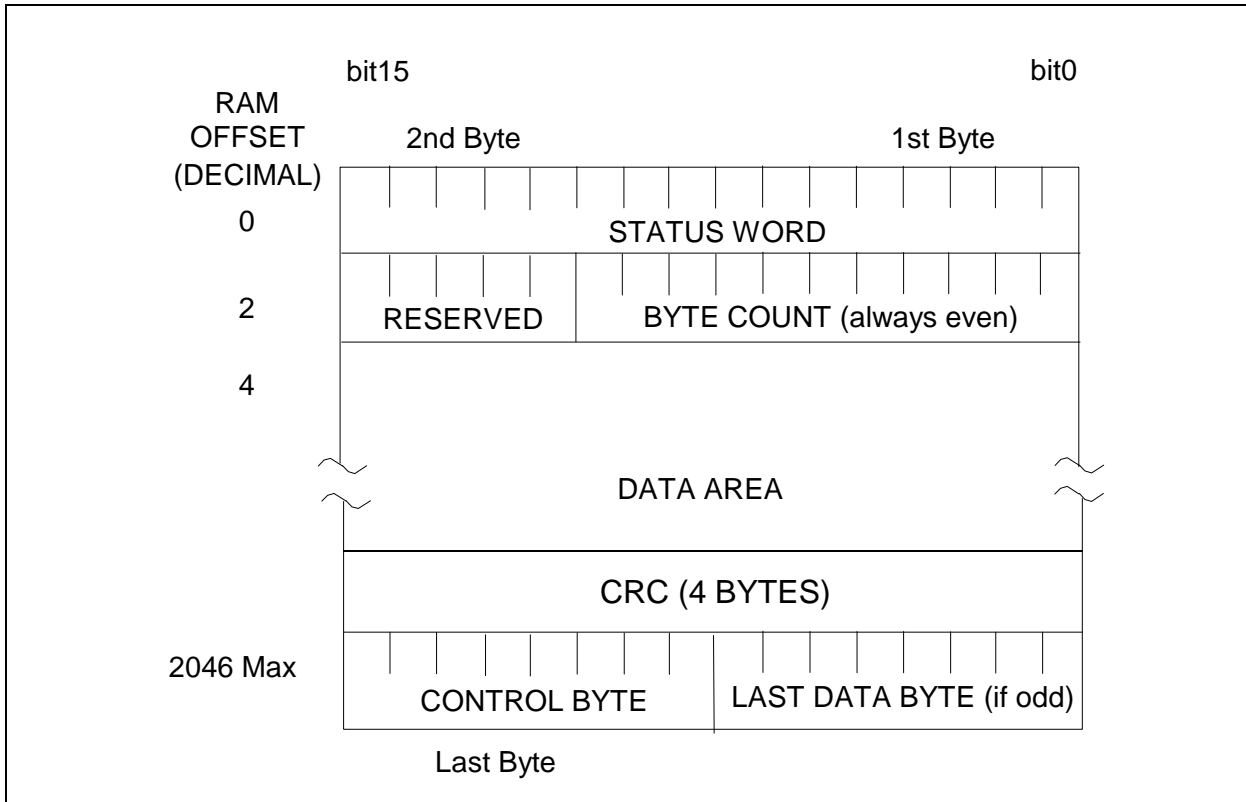
LAN91C111

8.0 MAC DATA STRUCTURES AND REGISTERS

8.1 Frame Format In Buffer Memory

The frame format in memory is similar for the Transmit and Receive areas. The first word is reserved for the status word. The next word is used to specify the total number of bytes, and it is followed by the data area. The data area holds the frame itself. By default, the last byte in the receive frame format is followed by the CRC, and the Control byte follows the CRC.

FIGURE 8-1: DATA FRAME FORMAT



| | Transmit Packet | Receive Packet |
|--------------|--|--|
| STATUS WORD | Written by CSMA upon transmit completion (see Status Register) | Written by CSMA upon receive completion (see RX Frame Status Word) |
| BYTE COUNT | Written by CPU | Written by CSMA |
| DATA AREA | Written/modified by CPU | Written by CSMA |
| CONTROL BYTE | Written by CPU to control odd/even data bytes | Written by CSMA; also has odd/even bit |

BYTE COUNT - Divided by two, it defines the total number of words including the STATUS WORD, the BYTE COUNT WORD, the DATA AREA, the CRC, and the CONTROL BYTE. The CRC is not included if the STRIP_CRC bit is set. The maximum number of bytes in a RAM page is 2048 bytes.

The receive byte count always appears as even; the ODDFRM bit of the receive status word indicates if the low byte of the last word is relevant.

The transmit byte count least significant bit will be assumed 0 by the controller regardless of the value written in memory.

DATA AREA - The data area starts at offset 4 of the packet structure and can extend up to 2043 bytes.

The data area contains six bytes of **DESTINATION ADDRESS** followed by six bytes of **SOURCE ADDRESS**, followed by a variable-length number of bytes. On transmit, all bytes are provided by the CPU, including the source address. The LAN91C111 does not insert its own source address. On receive, all bytes are provided by the CSMA side.

The 802.3 Frame Length word (Frame Type in Ethernet) is not interpreted by the LAN91C111. It is treated transparently as data both for transmit and receive operations.

CONTROL BYTE - For transmit packets the CONTROL BYTE is written by the CPU as:

| | | | | | | | |
|---|---|-----|-----|---|---|---|---|
| X | X | ODD | CRC | 0 | 0 | 0 | 0 |
| | | | | | | | |

ODD - If set, indicates an odd number of bytes, with the last byte being right before the CONTROL BYTE. If clear, the number of data bytes is even and the byte before the CONTROL BYTE is not transmitted.

CRC - When set, CRC will be appended to the frame. This bit has meaning only if the NOCRC bit in the TCR is set.

For receive packets the CONTROL BYTE is written by the controller as:

| | | | | | | | |
|---|---|-----|---|---|---|---|---|
| 0 | 1 | ODD | 0 | 0 | 0 | 0 | 0 |
| | | | | | | | |

ODD - If set, indicates an odd number of bytes, with the last byte being right before the CONTROL BYTE. If clear, the number of data bytes is even and the byte before the CONTROL BYTE should be ignored.

8.2 Receive Frame Status

This word is written at the beginning of each receive frame in memory. It is not available as a register.

| HIGH BYTE | ALGN ERR | BROD CAST | BAD CRC | ODD FRM | TOOLNG | TOO SHORT | | |
|-----------|------------|-----------|---------|---------|--------|-----------|---|-----------|
| | | | | | | | | |
| LOW BYTE | HASH VALUE | | | | | | | MULT CAST |
| | Reserved | 5 | 4 | 3 | 2 | 1 | 0 | |
| | | | | | | | | |

ALGNERR - Frame had alignment error.

BROADCAST - Receive frame was broadcast. When a broadcast packet is received, the MULTICAST bit may be also set on the status word in addition to the BROADCAST bit. The software implement may just ignore the MULTICAST bit if for BROADCAST packet.

BADCRC - Frame had CRC error, or RX_ER was asserted during reception.

ODDFRM - This bit when set indicates that the received frame had an odd number of bytes.

TOOLNG - Frame length was longer than 802.3 maximum size (1518 bytes on the cable).

TOOSHORT - Frame length was shorter than 802.3 minimum size (64 bytes on the cable).

LAN91C111

HASH VALUE - Provides the hash value used to index the Multicast Registers. Can be used by receive routines to speed up the group address search. The hash value consists of the six most significant bits of the CRC calculated on the Destination Address, and maps into the 64 bit multicast table. Bits 5,4,3 of the hash value select a byte of the multicast table, while bits 2,1,0 determine the bit within the byte selected. Examples of the address mapping:

| Address | Hash Value 5-0 | Multicast Table Bit |
|-------------------|----------------|---------------------|
| ED 00 00 00 00 00 | 000 000 | MT-0 bit 0 |
| 0D 00 00 00 00 00 | 010 000 | MT-2 bit 0 |
| 01 00 00 00 00 00 | 100 111 | MT-4 bit 7 |
| 2F 00 00 00 00 00 | 111 111 | MT-7 bit 7 |

MULTICAST - Receive frame was multicast. If hash value corresponds to a multicast table bit that is set, and the address was a multicast, the packet will pass address filtering regardless of other filtering criteria.

8.3 I/O Space

The base I/O space is determined by the IOS0-IOS2 inputs and the EEPROM contents. To limit the I/O space requirements to 16 locations, the registers are assigned to different banks. The last word of the I/O area is shared by all banks and can be used to change the bank in use. Registers are described using the following convention:

OFFSET NAME TYPE SYMBOL

| | | | | | | | | |
|-----------|--------|--------|--------|--------|--------|--------|-------|-------|
| HIGH BYTE | bit 15 | bit 14 | bit 13 | bit 12 | bit 11 | bit 10 | bit 9 | bit 8 |
| | X | X | X | X | X | X | X | X |
| LOW BYTE | bit 7 | bit 6 | bit 5 | bit 4 | bit 3 | bit 2 | bit 1 | bit 0 |
| | X | X | X | X | X | X | X | X |

FFSET - Defines the address offset within the IOBASE where the register can be accessed at, provided the bank select has the appropriate value.

The offset specifies the address of the even byte (bits 0-7) or the address of the complete word.

The odd byte can be accessed using address (offset + 1).

Some registers (like the Interrupt Ack., or like Interrupt Mask) are functionally described as two eight bit registers, in that case the offset of each one is independently specified.

Regardless of the functional description, all registers can be accessed as doublewords, words or bytes.

The default bit values upon hard reset are highlighted below each register.

TABLE 8-1: INTERNAL I/O SPACE MAPPING

| | BANK0 | BANK1 | BANK2 | BANK3 |
|---|------------|-----------------|-------------|----------|
| 0 | TCR | CONFIG | MMU COMMAND | MT0-1 |
| 2 | EPH STATUS | BASE | PNR | MT2-3 |
| 4 | RCR | IA0-1 | FIFO PORTS | MT4-5 |
| 6 | COUNTER | IA2-3 | POINTER | MT6-7 |
| 8 | MIR | IA4-5 | DATA | MGMT |
| A | RPCR | GENERAL PURPOSE | DATA | REVISION |
| C | RESERVED | CONTROL | INTERRUPT | RCV |
| E | BANK | BANK | BANK | BANK |

A special BANK (BANK7) exists to support the addition of external registers.

8.4 Bank Select Register

| OFFSET | NAME | TYPE | SYMBOL |
|--------|----------------------|------------|--------|
| E | BANK SELECT REGISTER | READ/WRITE | BSR |

| | | | | | | | | |
|-----------|----------|----------|----------|----------|----------|----------|----------|----------|
| HIGH BYTE | Reserved | Reserved | Reserved | Reserved | Reserved | Reserved | Reserved | Reserved |
| | 0 | 0 | 1 | 1 | 0 | 0 | 1 | 1 |
| LOW BYTE | | | | | | BS2 | BS1 | BS0 |
| | X | X | X | X | X | 0 | 0 | 0 |

BS2, BS1, BS0 Determine the bank presently in use. This register is always accessible and is used to select the register bank in use.

The upper byte always reads as 33h and can be used to help determine the I/O location of the LAN91C111.

The BANK SELECT REGISTER is always accessible regardless of the value of BS0-2.

Note: The bank select register can be accessed as a doubleword at offset 0x0Ch, as a word at offset 0x0Eh, or as a byte at offset 0x0Eh. A doubleword write to offset 0x0Ch will write the BANK SELECT REGISTER but will not write the registers 0x0Ch and 0x0Dh, but will only write to register 0x0Eh.

BANK 7 has no internal registers other than the BANK SELECT REGISTER itself. On valid cycles where BANK7 is selected (BS0=BS1=BS2=1), and A3=0, nCSOUT is activated to facilitate implementation of external registers.

Note: BANK7 does not exist in LAN91C9x devices. For backward S/W compatibility BANK7 accesses should be done if the Revision Control register indicates the device is the LAN91C111.

Bank 7 is a new register Bank to the Microchip LAN91C111 device. This bank has extended registers that allow the extended feature set of the Microchip LAN91C111.

LAN91C111

8.5 Bank 0 - Transmit Control Register

| OFFSET | NAME | TYPE | SYMBOL |
|--------|---------------------------|------------|--------|
| 0 | TRANSMIT CONTROL REGISTER | READ/WRITE | TCR |

This register holds bits programmed by the CPU to control some of the protocol transmit options.

| HIGH BYTE | SWFDUP | Reserved | EPH LOOP | STP SQET | FDUPLX | MON_CSN | Reserved | NOCRC |
|-----------|--------|----------|----------|----------|----------|---------|----------|-------|
| | 0 | 0 | 0 | 0 | 0 | 0 | 0 | 0 |
| LOW BYTE | PAD_EN | Reserved | Reserved | Reserved | Reserved | FORCOL | LOOP | TXENA |
| | 0 | 0 | 0 | 0 | 0 | 0 | 0 | 0 |

SWFDUP - Enables Switched Full Duplex mode. In this mode, transmit state machine is inhibited from recognizing carrier sense, so deferrals will not occur. Also inhibits collision count, therefore, the collision related status bits in the EPHSR are not valid (CTR_ROL, LATCOL, SQET, 16COL, MUL COL, and SNGL COL). Uses COL100 as flow control, limiting backoff and jam to 1 clock each before inter-frame gap, then retry will occur after IFG. If COL100 is active during preamble, full preamble will be output before jam. When SWFDUP is high, the values of FDUPLX and MON_CSN have no effect.

EPH_LOOP - Internal loopback at the EPH block. Serial data is internally looped back when set. Defaults low. When EPH_LOOP is high the following transmit outputs are forced inactive: TXD0-TXD3 = 0h, TXEN100 = 0. The following and external inputs are blocked: CRS100=0, COL100=0, RX_DV= RX_ER=0.

STP_SQET - STP_SQET - Stop transmission on SQET error. If this bit is set, LAN91C111 will stop and disable the transmitter on SQE test error. If the external SQET generator on the network generates the SQET pulse during the IPG (Inter Frame Gap), this bit will not be set and subsequent transmits will occur as in the case of implementing "Auto Release" for multiple transmit packets. If this bit is cleared, then the SQET bit in the EPH Status register will be cleared. Defaults low.

FDUPLX - When set the LAN91C111 will cause frames to be received if they pass the address filter regardless of the source for the frame. When clear the node will not receive a frame sourced by itself. This bit does not control the duplex mode operation, the duplex mode operation is controlled by the SWFDUP bit.

MON_CSN - When set the LAN91C111 monitors carrier while transmitting. It must see its own carrier by the end of the preamble. If it is not seen, or if carrier is lost during transmission, the transmitter aborts the frame without CRC and turns itself off and sets the LOST CARR bit in the EPHSR. When this bit is clear the transmitter ignores its own carrier. Defaults low. Should be 0 for MII operation.

NOCRC - Does not append CRC to transmitted frames when set. Allows software to insert the desired CRC. Defaults to zero, namely CRC inserted.

PAD_EN - When set, the LAN91C111 will pad transmit frames shorter than 64 bytes with 00. For TX, CPU should write the actual BYTE COUNT before padded by the LAN91C111 to the buffer RAM, excludes the padded 00. When this bit is cleared, the LAN91C111 does not pad frames.

FORCOL - When set, the FORCOL bit will force a collision by not deferring deliberately. This bit is set and cleared only by the CPU. When TXENA is enabled with no packets in the queue and while the FORCOL bit is set, the LAN91C111 will transmit a preamble pattern the next time a carrier is seen on the line. If a packet is queued, a preamble and SFD will be transmitted. This bit defaults low to normal operation. NOTE: The LATCOL bit in the EPHSR, setting up as a result of FORCOL, will reset TXENA to 0. In order to force another collision, TXENA must be set to 1 again.

LOOP - Loopback. General purpose output port used to control the LBK pin. Typically used to put the PHY chip in loopback mode.

TXENA - Transmit enabled when set. Transmit is disabled if clear. When the bit is cleared the LAN91C111 will complete the current transmission before stopping. When stopping due to an error, this bit is automatically cleared.

8.6 Bank 0 - EPH Status Register

| OFFSET | NAME | TYPE | SYMBOL |
|--------|---------------------|-----------|--------|
| 2 | EPH STATUS REGISTER | READ ONLY | EPHSR |

This register stores the status of the last transmitted frame. This register value, upon individual transmit packet completion, is stored as the first word in the memory area allocated to the packet. Packet interrupt processing should use the copy in memory as the register itself will be updated by subsequent packet transmissions. The register can be used for real time values (like TXENA and LINK OK). If TXENA is cleared the register holds the last packet completion status.

| HIGH BYTE | Reserved | LINK_OK | Reserved | CTR_ROL | EXC_DEF | LOST_CARR | LATCOL | Reserved |
|-----------|----------|-----------|----------|---------|----------|-----------|---------|----------|
| | 0 | -nLNK pin | 0 | 0 | 0 | 0 | 0 | 0 |
| LOW BYTE | TX_DEFR | LTX_BRD | SQET | 16COL | LTX_MULT | MULCOL | SNGLCOL | TX_SUC |
| | 0 | 0 | 0 | 0 | 0 | 0 | 0 | 0 |

LINK_OK - General purpose input port driven by nLNK pin inverted. Typically used for Link Test. A transition on the value of this bit generates an interrupt.

CTR_ROL - Counter Roll Over. When set one or more 4 bit counters have reached maximum count (15). Cleared by reading the ECR register.

EXC_DEF - Excessive Deferral. When set last/current transmit was deferred for more than 1518 * 2 byte times. Cleared at the end of every packet sent.

LOST_CARR - Lost Carrier Sense. When set indicates that Carrier Sense was not present at end of preamble. Valid only if MON_CSN is enabled. This condition causes TXENA bit in TCR to be reset. Cleared by setting TXENA bit in TCR.

LATCOL - Late collision detected on last transmit frame. If set a late collision was detected (later than 64 byte times into the frame). When detected the transmitter jams and turns itself off clearing the TXENA bit in TCR. Cleared by setting TXENA in TCR.

TX_DEFR - Transmit Deferred. When set, carrier was detected during the first 6.4 μ s of the inter frame gap. Cleared at the end of every packet sent.

LTX_BRD - Last transmit frame was a broadcast. Set if frame was broadcast. Cleared at the start of every transmit frame.

SQET - Signal Quality Error Test. This bit is set under the following conditions:

1. LAN91C111 is set to operate in Half Duplex mode (SWFDUP=0);
2. When STP_SQET=1 and SWFDUP=0, SQET bit will be set upon completion of a transmit operation and no SQET Pulse has occurred during the IPG (Inter Frame Gap). If a pulse has occurred during the IPG, SQET bit will not get set.
3. Once SQET bit is set, setting the TXENA bit in TCR register, or via hardware /software reset can clear this bit.

16COL - 16 collisions reached. Set when 16 collisions are detected for a transmit frame. TXENA bit in TCR is reset. Cleared when TXENA is set high.

LTX_MULT - Last transmit frame was a multicast. Set if frame was a multicast. Cleared at the start of every transmit frame.

MULCOL - Multiple collision detected for the last transmit frame. Set when more than one collision was experienced. Cleared when TX_SUC is high at the end of the packet being sent.

LAN91C111

SNGLCOL - Single collision detected for the last transmit frame. Set when a collision is detected. Cleared when TX_SUC is high at the end of the packet being sent.

TX_SUC - Last transmit was successful. Set if transmit completes without a fatal error. This bit is cleared by the start of a new frame transmission or when TXENA is set high. Fatal errors are:

- 16 collisions (1/2 duplex mode only)
- SQET fail and STP_SQET = 1 (1/2 duplex mode only)
- Carrier lost and MON_CSN = 1 (1/2 duplex mode only)
- Late collision (1/2 duplex mode only)

8.7 Bank 0 - Receive Control Register

| OFFSET | NAME | TYPE | SYMBOL |
|--------|--------------------------|------------|--------|
| 4 | RECEIVE CONTROL REGISTER | READ/WRITE | RCR |

| HIGH BYTE | SOFT RST | FILT CAR | ABORT_ENB | Reserved | Reserved | Reserved | STRIP CRC | RXEN |
|-----------|----------|----------|-----------|----------|----------|----------|-----------|----------|
| | 0 | 0 | 0 | 0 | 0 | 0 | 0 | 0 |
| LOW BYTE | Reserved | Reserved | Reserved | Reserved | Reserved | ALMUL | PRMS | RX_ABORT |
| | 0 | 0 | 0 | 0 | 0 | 0 | 0 | 0 |

SOFT_RST - Software-Activated Reset. Active high. Initiated by writing this bit high and terminated by writing the bit low. The LAN91C111's configuration is not preserved except for Configuration, Base, and IA0-IA5 Registers. EEPROM is not reloaded after software reset.

FILT_CAR - Filter Carrier. When set filters leading edge of carrier sense for 12 bit times (3 nibble times). Otherwise recognizes a receive frame as soon as carrier sense is active. (Does NOT filter RX DV on MII!)

ABORT_ENB - Enables abort of receive when collision occurs. Defaults low. When set, the LAN91C111 will automatically abort a packet being received when the appropriate collision input is activated. This bit has no effect if the SWFDUP bit in the TCR is set.

STRIP_CRC - When set, it strips the CRC on received frames. As a result, both the Byte Count and the frame format do not contain the CRC. When clear, the CRC is stored in memory following the packet. Defaults low.

RXEN - Enables the receiver when set. If cleared, completes receiving current frame and then goes idle. Defaults low on reset.

ALMUL - When set accepts all multicast frames (frames in which the first bit of DA is '1'). When clear accepts only the multicast frames that match the multicast table setting. Defaults low.

PRMS - Promiscuous mode. When set receives all frames. Does not receive its own transmission unless it is in Full Duplex!

RX_ABORT - This bit is set if a receive frame was aborted due to length longer than 2K bytes. The frame will not be received. The bit is cleared by RESET or by the CPU writing it low.

Reserved - Must be 0.

8.8 Bank 0 - Counter Register

| OFFSET | NAME | TYPE | SYMBOL |
|--------|------------------|-----------|--------|
| 6 | COUNTER REGISTER | READ ONLY | ECR |

Counts four parameters for MAC statistics. When any counter reaches 15 an interrupt is issued. All counters are cleared when reading the register and do not wrap around beyond 15.

| HIGH BYTE | NUMBER OF EXC. DEFERRED TX | | | | NUMBER OF DEFERRED TX | | | |
|-----------|----------------------------|---|---|---|------------------------|---|---|---|
| | 0 | 0 | 0 | 0 | 0 | 0 | 0 | 0 |
| LOW BYTE | MULTIPLE COLLISION COUNT | | | | SINGLE COLLISION COUNT | | | |
| | 0 | 0 | 0 | 0 | 0 | 0 | 0 | 0 |

Each four bit counter is incremented every time the corresponding event, as defined in the EPH STATUS REGISTER bit description, occurs. Note that the counters can only increment once per enqueued transmit packet, never faster, limiting the rate of interrupts that can be generated by the counters. For example if a packet is successfully transmitted after one collision the SINGLE COLLISION COUNT field is incremented by one. If a packet experiences between 2 to 16 collisions, the MULTIPLE COLLISION COUNT field is incremented by one. If a packet experiences deferral the NUMBER OF DEFERRED TX field is incremented by one, even if the packet experienced multiple deferrals during its collision retries.

The COUNTER REGISTER facilitates maintaining statistics in the AUTO RELEASE mode where no transmit interrupts are generated on successful transmissions.

Reading the register in the transmit service routine will be enough to maintain statistics.

8.9 Bank 0 - Memory Information Register

| OFFSET | NAME | TYPE | SYMBOL |
|--------|-----------------------------|-----------|--------|
| 8 | MEMORY INFORMATION REGISTER | READ ONLY | MIR |

| HIGH BYTE | FREE MEMORY AVAILABLE (IN BYTES * 2K * M) | | | | | | | |
|-----------|---|---|---|---|---|---|---|---|
| | 0 | 0 | 0 | 0 | 0 | 1 | 0 | 0 |
| LOW BYTE | MEMORY SIZE (IN BYTES *2K * M) | | | | | | | |
| | 0 | 0 | 0 | 0 | 0 | 1 | 0 | 0 |

FREE MEMORY AVAILABLE - This register can be read at any time to determine the amount of free memory. The register defaults to the MEMORY SIZE upon POR (Power On Reset) or upon the RESET MMU command.

MEMORY SIZE - This register can be read to determine the total memory size.

All memory related information is represented in 2K * M byte units, where the multiplier M is 1 for LAN91C111.

LAN91C111

8.10 Bank 0 - Receive/Phy Control Register

| OFFSET | NAME | | TYPE | SYMBOL |
|--------|------------------------------|--|------------|--------|
| A | RECEIVE/PHY CONTROL REGISTER | | READ/WRITE | RPCR |

| HIGH BYTE | Reserved | Reserved | SPEED | DPLX | ANEG | Reserved | Reserved | Reserved |
|-----------|----------|----------|-------|------|------|----------|----------|----------|
| | 0 | 0 | 0 | 0 | 0 | 0 | 0 | 0 |
| LOW BYTE | LS2A | LS1A | LS0A | LS2B | LS1B | LS0B | Reserved | Reserved |
| | 0 | 0 | 0 | 0 | 0 | 0 | 0 | 0 |

SPEED – Speed select Input. This bit is valid and selects 10/100 PHY operation only when the ANEG Bit = 0, this bit overrides the SPEED bit in the PHY Register 0 (Control Register) and determine the speed mode. When this bit is set (1), the Internal PHY will operate at 100Mbps. When this bit is cleared (0), the Internal PHY will operate at 10Mbps. When the ANEG bit = 1, this bit is ignored and 10/100 operation is determined by the outcome of the Auto-Negotiation or this bit is overridden by the SPEED bit in the PHY Register 0 (Control Register) when the ANEG_EN bit in the PHY Register 0 (Control Register) is clear.

DPLX – Duplex Select - This bit selects Full/Half Duplex operation. This bit is valid and selects duplex operation only when the ANEG Bit = 0, this bit overrides the DPLX bit in the PHY Register 0 (Control Register) and determine the duplex mode. When this bit is set (1), the Internal PHY will operate at full duplex mode. When this bit is cleared (0), the Internal PHY will operate at half Duplex mode. When the ANEG bit = 1, this bit is ignored and duplex mode is determined by the outcome of the Auto-Negotiation or this bit is overridden by the DPLX bit in the PHY Register 0 (Control Register) when the ANEG_EN bit in the PHY Register 0 (Control Register) is clear.

ANEG – Auto-Negotiation mode select - The PHY is placed in Auto-Negotiation mode when the ANEG bit and the ANEG_EN bit in PHY Register 0 (Control Register) both are set. When either of these bits is cleared (0), the PHY is placed in manual mode.

| What do you want to do? | Auto-Negotiation Control Bits | | Auto-Negotiation Advertisement Register | | | | Duplex Mode Control for the MAC |
|---------------------------------------|-------------------------------|------------------|---|------------------|------------------|------------------|---------------------------------|
| | ANEG Bit | ANEG_EN Bit | TX_FDX Bit | TX_HDX Bit | 10_FDX Bit | 10_HDX Bit | SWFDUP Bit |
| Try to Auto-Negotiate to | RPCR (MAC) | Register 0 (PHY) | Register 4 (PHY) | Register 4 (PHY) | Register 4 (PHY) | Register 4 (PHY) | Transmit Control Register (MAC) |
| 100 Full Duplex | 1 | 1 | 1 | 1 | 1 | 1 | 1 |
| 100 Half Duplex | 1 | 1 | 0 | 1 | 1 | 1 | 0 |
| 10 Full Duplex | 1 | 1 | 0 | 0 | 1 | 1 | 1 |
| 10 Half Duplex | 1 | 1 | 0 | 0 | 0 | 1 | 0 |

| What do you want to do? | Auto-Negotiation Control Bits | | Speed and Duplex Mode Control for the PHY | | | | Duplex Mode Control for the MAC |
|------------------------------|-------------------------------|------------------|---|----------------------------|------------------|------------------|---------------------------------|
| | ANEG Bit | ANEG_EN Bit | SPEED Bit | DPLX Bit | SPEED Bit | DPLX Bit | SWFDUP Bit |
| Try to Manually Set to | RPCR (MAC Bank 0 Offset A) | Register 0 (PHY) | RPCR (MAC Bank 0 Offset A) | RPCR (MAC Bank 0 Offset A) | Register 0 (PHY) | Register 0 (PHY) | Transmit Control Register (MAC) |
| 100 Full Duplex | 0 | 0 | 1 | 1 | X | X | 1 |
| | 0 | 1 | 1 | 1 | X | X | 1 |
| | 1 | 0 | X | X | 1 | 1 | 1 |
| 100 Half Duplex | 0 | 0 | 1 | 0 | X | X | 0 |
| | 0 | 1 | 1 | 0 | X | X | 0 |
| | 1 | 0 | X | X | 1 | 0 | 0 |
| 10 Full Duplex | 0 | 0 | 0 | 1 | X | X | 1 |
| | 0 | 1 | 0 | 1 | X | X | 1 |
| | 1 | 0 | X | X | 0 | 1 | 1 |
| 10 Half Duplex | 0 | 0 | 0 | 0 | X | X | 0 |
| | 0 | 1 | 0 | 0 | X | X | 0 |
| | 1 | 0 | X | X | 0 | 0 | 0 |

LS2A, LS1A, LS0A – LED select Signal Enable. These bits define what LED control signals are routed to the LEDA output pin on the LAN91C111 Ethernet Controller. The default is 10/100 Link detected.

| LS2A | LS1A | LS0A | LED Select Signal – LEDA |
|------|------|------|---|
| 0 | 0 | 0 | nPLED3+ nPLED0 – Logical OR of 100Mbps Link detected 10Mbps Link detected (default) |
| 0 | 0 | 1 | Reserved |
| 0 | 1 | 0 | nPLED0 - 10Mbps Link detected |
| 0 | 1 | 1 | nPLED1 - Full Duplex Mode enabled |
| 1 | 0 | 0 | nPLED2 - Transmit or Receive packet occurred |
| 1 | 0 | 1 | nPLED3 - 100Mbps Link detected |
| 1 | 1 | 0 | nPLED4 - Receive packet occurred |
| 1 | 1 | 1 | nPLED5 - Transmit packet occurred |

LAN91C111

LS2B, LS1B, LS0B – LED select Signal Enable. These bits define what LED control signals are routed to the LEDB output pin on the LAN91C111 Ethernet Controller. The default is 10/100 Link detected.

| LS2B | LS1B | LS0B | LED Select Signal – LEDB |
|------|------|------|---|
| 0 | 0 | 0 | nPLED3+ nPLED0 – Logical OR of 100Mbps Link detected 10Mbps Link detected (default) |
| 0 | 0 | 1 | Reserved |
| 0 | 1 | 0 | nPLED0 - 10Mbps Link detected |
| 0 | 1 | 1 | nPLED1 – Full Duplex Mode enabled |
| 1 | 0 | 0 | nPLED2 – Transmit or Receive packet occurred |
| 1 | 0 | 1 | nPLED3 - 100Mbps Link detected |
| 1 | 1 | 0 | nPLED4 - Receive packet occurred |
| 1 | 1 | 1 | nPLED5 - Transmit packet occurred |

Reserved – Must be 0.

8.11 Bank 1 - Configuration Register

| OFFSET | NAME | TYPE | SYMBOL |
|--------|------------------------|------------|--------|
| 0 | CONFIGURATION REGISTER | READ/WRITE | CR |

The Configuration Register holds bits that define the adapter configuration and are not expected to change during run-time. This register is part of the EEPROM saved setup.

| | | | | | | | | |
|-----------|--------------|----------|----------|---------|----------|----------|----------|----------|
| HIGH BYTE | EPH Power EN | Reserved | Reserved | NO WAIT | Reserved | GPCNTRL | EXT PHY | Reserved |
| | 1 | 0 | 1 | 0 | 0 | 0 | 0 | 0 |
| LOW BYTE | Reserved | Reserved | Reserved | | | Reserved | Reserved | Reserved |
| | 1 | 0 | 1 | 1 | 0 | 0 | 0 | 1 |

EPH Power EN - Used to selectively power transition the EPH to a low power mode. When this bit is cleared (0), the Host will place the EPH into a low power mode. The Ethernet MAC will gate the 25Mhz TX and RX clock so that the Ethernet MAC will no longer be able to receive and transmit packets. The Host interface however, will still be active allowing the Host access to the device through Standard IO access. All LAN91C111 registers will still be accessible. However, status and control will not be allowed until the EPH Power EN bit is set AND a RESET MMU command is initiated.

NO WAIT - When set, does not request additional wait states. An exception to this are accesses to the Data Register if not ready for a transfer. When clear, negates ARDY for two to three clocks on any cycle to the LAN91C111.

GPCNTRL - This bit is a general purpose output port. Its inverse value drives pin nCNTRL and it is typically connected to a SELECT pin of the external PHY device such as a power enable. It can be used to select the signaling mode for the external PHY or as a general purpose non-volatile configuration pin. Defaults low.

EXT PHY – External PHY Enabled.

This bit, when set (1):

- a) Enables the external MII.
- b) The Internal PHY is disabled and is disconnected (Tri-stated from the internal MII along with any sideband signals (such as MDINT) going to the MAC Core).

When this bit is cleared (0 - Default):

- a) The internal PHY is enabled.
- b) The external MII pins, including the MII Management interface pins are tri-stated.

Reserved – Reserved bits.

8.12 Bank 1 - Base Address Register

| OFFSET | NAME | TYPE | SYMBOL |
|--------|-----------------------|------------|--------|
| 2 | BASE ADDRESS REGISTER | READ/WRITE | BAR |

This register holds the I/O address decode option chosen for the LAN91C111. It is part of the EEPROM saved setup and is not usually modified during run-time.

| | | | | | | | | |
|-----------|----------|-----|-----|----|----|----|----|----------|
| HIGH BYTE | A15 | A14 | A13 | A9 | A8 | A7 | A6 | A5 |
| | 0 | 0 | 0 | 1 | 1 | 0 | 0 | 0 |
| LOW BYTE | Reserved | | | | | | | Reserved |
| | 0 | 0 | 0 | 0 | 0 | 0 | 0 | 1 |

A15 - A13 and A9 - A5 - These bits are compared against the I/O address on the bus to determine the IOBASE for the LAN91C111's registers. The 64k I/O space is fully decoded by the LAN91C111 down to a 16 location space, therefore the unspecified address lines A4, A10, A11 and A12 must be all zeros.

All bits in this register are loaded from the serial EEPROM. The I/O base decode defaults to 300h (namely, the high byte defaults to 18h).

Reserved – Reserved bits.

Below chart shows the decoding of I/O Base Address 300h:

| | | | | | | | | | | | | | | | |
|-----|-----|-----|-----|-----|-----|----|----|----|----|----|----|----|----|----|----|
| A15 | A14 | A13 | A12 | A11 | A10 | A9 | A8 | A7 | A6 | A5 | A4 | A3 | A2 | A1 | A0 |
| 0 | 0 | 0 | 0 | 0 | 0 | 1 | 1 | 0 | 0 | 0 | 0 | 0 | 0 | 0 | 0 |

LAN91C111

8.13 Bank 1 - Individual Address Registers

| OFFSET | NAME | TYPE | SYMBOL |
|-------------|---------------------------------|------------|--------|
| 4 THROUGH 9 | INDIVIDUAL ADDRESS REGISTERS | READ/WRITE | IAR |

These registers are loaded starting at word location 20h of the EEPROM upon hardware reset or EEPROM reload. The registers can be modified by the software driver, but a STORE operation will not modify the EEPROM Individual Address contents. Bit 0 of Individual Address 0 register corresponds to the first bit of the address on the cable.

| | | | | | | | | |
|-----------|-----------|---|---|---|---|---|---|---|
| LOW BYTE | ADDRESS 0 | | | | | | | |
| | 0 | 0 | 0 | 0 | 0 | 0 | 0 | 0 |
| HIGH BYTE | ADDRESS 1 | | | | | | | |
| | 0 | 0 | 0 | 0 | 0 | 0 | 0 | 0 |
| LOW BYTE | ADDRESS 2 | | | | | | | |
| | 0 | 0 | 0 | 0 | 0 | 0 | 0 | 0 |
| HIGH BYTE | ADDRESS 3 | | | | | | | |
| | 0 | 0 | 0 | 0 | 0 | 0 | 0 | 0 |
| LOW BYTE | ADDRESS 4 | | | | | | | |
| | 0 | 0 | 0 | 0 | 0 | 0 | 0 | 0 |
| HIGH BYTE | ADDRESS 5 | | | | | | | |
| | 0 | 0 | 0 | 0 | 0 | 0 | 0 | 0 |

8.14 Bank 1 - General Purpose Register

| OFFSET | NAME | TYPE | SYMBOL |
|--------|--------------------------|------------|--------|
| A | GENERAL PURPOSE REGISTER | READ/WRITE | GPR |

| | | | | | | | | |
|-----------|----------------|---|---|---|---|---|---|---|
| HIGH BYTE | HIGH DATA BYTE | | | | | | | |
| | 0 | 0 | 0 | 0 | 0 | 0 | 0 | 0 |
| LOW BYTE | LOW DATA BYTE | | | | | | | |
| | 0 | 0 | 0 | 0 | 0 | 0 | 0 | 0 |

This register can be used as a way of storing and retrieving non-volatile information in the EEPROM to be used by the software driver. The storage is word oriented, and the EEPROM word address to be read or written is specified using the six lowest bits of the Pointer Register.

This register can also be used to sequentially program the Individual Address area of the EEPROM, that is normally protected from accidental Store operations.

This register will be used for EEPROM read and write only when the EEPROM SELECT bit in the Control Register is set. This allows generic EEPROM read and write routines that do not affect the basic setup of the LAN91C111.

8.15 Bank 1 - Control Register

| OFFSET | NAME | TYPE | SYMBOL |
|--------|------------------|------------|--------|
| C | CONTROL REGISTER | READ/WRITE | CTR |

| | | | | | | | | |
|-----------|-----------|-----------|-----------|----------|--------------|---------------|----------|----------|
| HIGH BYTE | Reserved | RCV_BAD | Reserved | Reserved | AUTO RELEASE | Reserved | Reserved | Reserved |
| | 0 | 0 | 0 | 1 | 0 | 0 | 1 | 0 |
| LOW BYTE | LE ENABLE | CR ENABLE | TE ENABLE | Reserved | Reserved | EEPROM SELECT | RELOAD | STORE |
| | 0 | 0 | 0 | 1 | 0 | 0 | 0 | 0 |

RCV_BAD - When set, bad CRC packets are received. When clear bad CRC packets do not generate interrupts and their memory is released.

AUTO RELEASE - When set, transmit pages are released by transmit completion if the transmission was successful (when TX_SUC is set). In that case there is no status word associated with its packet number, and successful packet numbers are not even written into the TX COMPLETION FIFO. A sequence of transmit packets will generate an interrupt only when the sequence is completely transmitted (TX EMPTY INT will be set), or when a packet in the sequence experiences a fatal error (TX INT will be set). Upon a fatal error TXENA is cleared and the transmission sequence stops. The packet number that failed, is present in the FIFO PORTS register, and its pages are not released, allowing the CPU to restart the sequence after corrective action is taken.

LAN91C111

LE ENABLE - Link Error Enable. When set it enables the LINK_OK bit transition as one of the interrupts merged into the EPH INT bit. Clearing the LE ENABLE bit after an EPH INT interrupt, caused by a LINK_OK transition, will acknowledge the interrupt. LE ENABLE defaults low (disabled).

CR ENABLE - Counter Roll over Enable. When set, it enables the CTR_ROL bit as one of the interrupts merged into the EPH INT bit. Reading the COUNTER register after an EPH INT interrupt caused by a counter rollover, will acknowledge the interrupt. CR ENABLE defaults low (disabled).

TE ENABLE - Transmit Error Enable. When set it enables Transmit Error as one of the interrupts merged into the EPH INT bit. An EPH INT interrupt caused by a transmitter error is acknowledged by setting TXENA bit in the TCR register to 1 or by clearing the TE ENABLE bit. TE ENABLE defaults low (disabled). Transmit Error is any condition that clears TXENA with TX_SUC staying low as described in the EPHSR register.

EEPROM SELECT - This bit allows the CPU to specify which registers the EEPROM RELOAD or STORE refers to. When high, the General Purpose Register is the only register read or written. When low, RELOAD reads Configuration, Base and Individual Address, and STORE writes the Configuration and Base registers.

RELOAD - When set it will read the EEPROM and update relevant registers with its contents. Clears upon completing the operation.

STORE - When set, stores the contents of all relevant registers in the serial EEPROM. Clears upon completing the operation.

Note: When an EEPROM access is in progress the STORE and RELOAD bits will be read back as high. The remaining 14 bits of this register will be invalid. During this time attempted read/write operations, other than polling the EEPROM status, will NOT have any effect on the internal registers. The CPU can resume accesses to the LAN91C111 after both bits are low. A worst case RELOAD operation initiated by RESET or by software takes less than 750 μ s.

8.16 Bank 2 - MMU Command Register

| OFFSET | NAME | TYPE | SYMBOL |
|--------|----------------------|------------------------------------|--------|
| 0 | MMU COMMAND REGISTER | WRITE ONLY BUSY BIT READABLE | MMUCR |

This register is used by the CPU to control the memory allocation, de-allocation, TX FIFO and RX FIFO control. The three command bits determine the command issued as described below:

| | | | | | | | | |
|-----------|----------------|--|----------|----------|----------|----------|------|---|
| HIGH BYTE | | | | | | | | |
| LOW BYTE | COMMAND | | Reserved | Reserved | Reserved | Reserved | BUSY | |
| | Operation Code | | | | | | | |
| | | | | | | | | 0 |

COMMAND SET:

| Operation Code | Decimal Value | Command |
|----------------|---------------|--|
| 000 | 0 | NOOP - NO OPERATION |
| 001 | 1 | ALLOCATE MEMORY FOR TX |
| 010 | 2 | RESET MMU TO INITIAL STATE - Frees all memory allocations, clears relevant interrupts, resets packet FIFO pointers. |
| 011 | 3 | REMOVE FRAME FROM TOP OF RX FIFO - To be issued after CPU has completed processing of present receive frame. This command removes the receive packet number from the RX FIFO and brings the next receive frame (if any) to the RX area (output of RX FIFO). |
| 100 | 4 | REMOVE AND RELEASE TOP OF RX FIFO - Like 3) but also releases all memory used by the packet presently at the RX FIFO output. The MMU busy time after issuing REMOVE and RELEASE command depends on the time when the busy bit is cleared. The time from issuing REMOVE and RELEASE command on the last receive packet to the time when receive FIFO is empty depends on RX INT bit turning low. An alternate approach can be checking the read RX FIFO register. |
| 101 | 5 | RELEASE SPECIFIC PACKET - Frees all pages allocated to the packet specified in the PACKET NUMBER REGISTER. Should not be used for frames pending transmission. Typically used to remove transmitted frames, after reading their completion status. Can be used following 3) to release receive packet memory in a more flexible way than 4). |
| 110 | 6 | ENQUEUE PACKET NUMBER INTO TX FIFO - This is the normal method of transmitting a packet just loaded into RAM. The packet number to be enqueued is taken from the PACKET NUMBER REGISTER. |
| 111 | 7 | RESET TX FIFOs - This command will reset both TX FIFOs: The TX FIFO holding the packet numbers awaiting transmission and the TX Completion FIFO. This command provides a mechanism for canceling packet transmissions, and reordering or bypassing the transmit queue. The RESET TX FIFOs command should only be used when the transmitter is disabled. Unlike the RESET MMU command, the RESET TX FIFOs does not release any memory. |

Note:

- When using the RESET TX FIFOs command, the CPU is responsible for releasing the memory associated with outstanding packets, or re-enqueuing them. Packet numbers in the completion FIFO can be read via the FIFO ports register before issuing the command.
- MMU commands releasing memory (commands 4 and 5) should only be issued if the corresponding packet number has memory allocated to it.

LAN91C111

COMMAND SEQUENCING

A second allocate command (command 1) should not be issued until the present one has completed. Completion is determined by reading the FAILED bit of the allocation result register or through the allocation interrupt.

A second release command (commands 4, 5) should not be issued if the previous one is still being processed. The BUSY bit indicates that a release command is in progress. After issuing command 5, the contents of the PNR should not be changed until BUSY goes low. After issuing command 4, command 3 should not be issued until BUSY goes low.

BUSY BIT - Readable at bit 0 of the MMU command register address. When set indicates that MMU is still processing a release command. When clear, MMU has already completed last release command. BUSY and FAILED bits are set upon the trailing edge of command.

8.17 Bank 2 - Packet Number Register

| OFFSET | NAME | TYPE | SYMBOL |
|--------|------------------------|------------|--------|
| 2 | PACKET NUMBER REGISTER | READ/WRITE | PNR |

| Reserved | Reserved | PACKET NUMBER AT TX AREA | | | | | |
|----------|----------|--------------------------|---|---|---|---|---|
| 0 | 0 | 0 | 0 | 0 | 0 | 0 | 0 |

PACKET NUMBER AT TX AREA - The value written into this register determines which packet number is accessible through the TX area. Some MMU commands use the number stored in this register as the packet number parameter. This register is cleared by a RESET or a RESET MMU Command.

| OFFSET | NAME | TYPE | SYMBOL |
|--------|----------------------------|-----------|--------|
| 3 | ALLOCATION RESULT REGISTER | READ ONLY | ARR |

This register is updated upon an ALLOCATE MEMORY MMU command.

| FAILED | Reserved | ALLOCATED PACKET NUMBER | | | | | |
|--------|----------|-------------------------|---|---|---|---|---|
| 1 | 0 | 0 | 0 | 0 | 0 | 0 | 0 |

FAILED - A zero indicates a successful allocation completion. If the allocation fails the bit is set and only cleared when the pending allocation is satisfied. Defaults high upon reset and reset MMU command. For polling purposes, the ALLOC_INT in the Interrupt Status Register should be used because it is synchronized to the read operation. Sequence:

1. Allocate Command
2. Poll ALLOC_INT bit until set
3. Read Allocation Result Register

ALLOCATED PACKET NUMBER - Packet number associated with the last memory allocation request. The value is only valid if the FAILED bit is clear.

Note: For software compatibility with future versions, the value read from the ARR after an allocation request is intended to be written into the PNR as is, without masking higher bits (provided FAILED = 0).

8.18 Bank 2 - FIFO Ports Register

| OFFSET | NAME | TYPE | SYMBOL |
|--------|---------------------|-----------|--------|
| 4 | FIFO PORTS REGISTER | READ ONLY | FIFO |

This register provides access to the read ports of the Receive FIFO and the Transmit completion FIFO. The packet numbers to be processed by the interrupt service routines are read from this register.

| | | | | | | | | |
|-----------|-------|----------|-----------------------|---|---|---|---|---|
| HIGH BYTE | EMPTY | Reserved | RX FIFO PACKET NUMBER | | | | | |
| | 1 | 0 | 0 | 0 | 0 | 0 | 0 | 0 |
| LOW BYTE | EMPTY | Reserved | TX FIFO PACKET NUMBER | | | | | |
| | 1 | 0 | 0 | 0 | 0 | 0 | 0 | 0 |

EMPTY - No receive packets queued in the RX FIFO. For polling purposes, uses the RCV_INT bit in the Interrupt Status Register.

TOP OF RX FIFO PACKET NUMBER - Packet number presently at the output of the RX FIFO. Only valid if EMPTY is clear. The packet is removed from the RX FIFO using MMU Commands 3) or 4).

EMPTY - No transmit packets in completion queue. For polling purposes, uses the TX_INT bit in the Interrupt Status Register.

TX FIFO PACKET NUMBER - Packet number presently at the output of the TX FIFO. Only valid if EMPTY is clear. The packet is removed when a TX INT acknowledge is issued.

Note: For software compatibility with future versions, the value read from each FIFO register is intended to be written into the PNR as is, without masking higher bits (provided EMPTY and EMPTY = 0 respectively).

LAN91C111

8.19 Bank 2 - Pointer Register

| OFFSET | NAME | TYPE | SYMBOL |
|--------|------------------|--|--------|
| 6 | POINTER REGISTER | READ/WRITE NOT EMPTY IS A READ ONLY BIT | PTR |

| HIGH BYTE | RCV | AUTO INCR. | READ | Reserved | NOT EMPTY | POINTER HIGH | | |
|-----------|-------------|------------|------|----------|-----------|--------------|---|---|
| | 0 | 0 | 0 | 0 | 0 | 0 | 0 | 0 |
| LOW BYTE | POINTER LOW | | | | | | | |
| | 0 | 0 | 0 | 0 | 0 | 0 | 0 | 0 |

POINTER REGISTER - The value of this register determines the address to be accessed within the transmit or receive areas. It will auto-increment on accesses to the data register when AUTO INCR. is set. The increment is by one for every byte access, by two for every word access, and by four for every double word access. When RCV is set the address refers to the receive area and uses the output of RX FIFO as the packet number, when RCV is clear the address refers to the transmit area and uses the packet number at the Packet Number Register.

READ - Determines the type of access to follow. If the READ bit is high the operation intended is a read. If the READ bit is low the operation is a write. Loading a new pointer value, with the READ bit high, generates a pre-fetch into the Data Register for read purposes.

Readback of the pointer will indicate the value of the address last accessed by the CPU (rather than the last pre-fetched). This allows any interrupt routine that uses the pointer, to save it and restore it without affecting the process being interrupted. The Pointer Register should not be loaded until the Data Register FIFO is empty. The NOT EMPTY bit of this register can be read to determine if the FIFO is empty. On reads, if ARDY is not connected to the host, the Data Register should not be read before 370ns after the pointer was loaded to allow the Data Register FIFO to fill.

If the pointer is loaded using 8 bit writes, the low byte should be loaded first and the high byte last.

Reserved - Must be 0

NOT EMPTY - When set indicates that the Write Data FIFO is not empty yet. The CPU can verify that the FIFO is empty before loading a new pointer value. This is a read only bit.

Note: If AUTO INCR. is not set, the pointer must be loaded with a dword aligned value.

8.20 Bank 2 - Data Register

| OFFSET | NAME | TYPE | SYMBOL |
|-----------------|---------------|------------|--------|
| 8 THROUGH BH | DATA REGISTER | READ/WRITE | DATA |

| DATA HIGH | | | | | | | |
|-----------|---|---|---|---|---|---|---|
| X | X | X | X | X | X | X | X |
| DATA LOW | | | | | | | |
| X | X | X | X | X | X | X | X |

DATA REGISTER - Used to read or write the data buffer byte/word presently addressed by the pointer register.

This register is mapped into two uni-directional FIFOs that allow moving words to and from the LAN91C111 regardless of whether the pointer address is even, odd or dword aligned. Data goes through the write FIFO into memory, and is pre-fetched from memory into the read FIFO. If byte accesses are used, the appropriate (next) byte can be accessed through the Data Low or Data High registers. The order to and from the FIFO is preserved. Byte, word and dword accesses can be mixed on the fly in any order.

This register is mapped into two consecutive word locations to facilitate double word move operations regardless of the actual bus width (16 or 32 bits). The DATA register is accessible at any address in the 8 through Bh range, while the number of bytes being transferred is determined by A1 and nBE0-nBE3. The FIFOs are 12 bytes each.

8.21 Bank 2 - Interrupt Status Registers

| OFFSET | NAME | TYPE | SYMBOL |
|--------|---------------------------|-----------|--------|
| C | INTERRUPT STATUS REGISTER | READ ONLY | IST |

| MDINT | Reserved | EPH INT | RX_OVRN INT | ALLOC INT | TX EMPTY INT | TX INT | RCV INT |
|-------|----------|---------|-------------|-----------|--------------|--------|---------|
| 0 | 0 | 0 | 0 | 0 | 1 | 0 | 0 |

LAN91C111

OFFSET **NAME** **TYPE** **SYMBOL**

C **INTERRUPT
ACKNOWLEDGE
REGISTER** **WRITE ONLY** **IST**

| | | | | | | | |
|-------|----------|--|----------------|--|-----------------|--------|--|
| MDINT | Reserved | | RX_OVRN INT | | TX EMPTY INT | TX INT | |
| | | | | | | | |

OFFSET **NAME** **TYPE** **SYMBOL**

D **INTERRUPT MASK
REGISTER** **READ/WRITE** **MSK**

| | | | | | | | |
|---------------|----------|-----------------|------------------------|-------------------|-------------------------|----------------|-----------------|
| MDINT MASK | Reserved | EPH INT MASK | RX_OVRN INT MASK | ALLOC INT MASK | TX EMPTY INT MASK | TX INT MASK | RCV INT MASK |
| 0 | 0 | 0 | 0 | 0 | 0 | 0 | 0 |

This register can be read and written as a word or as two individual bytes.

The Interrupt Mask Register bits enable the appropriate bits when high and disable them when low. A MASK bit being set will cause a hardware interrupt.

MDINT - Set when the following bits in the PHY MI Register 18 (Serial Port Status Output Register) change state.

1. LNKFAIL, 2) LOSSSYNC, 3) CWRD, 4) SSD, 5) ESD, 6) PROL, 7) JAB, 8) SPDDDET, 9) DPLXDET.

These bits automatically latch upon changing state and stay latched until they are read. When they are read, the bits that caused the interrupt to happen are updated to their current value. The MDINT bit will be cleared by writing the acknowledge register with MDINT bit set.

Reserved - Must be 0

EPH INT - Set when the Ethernet Protocol Handler section indicates one out of various possible special conditions. This bit merges exception type of interrupt sources, whose service time is not critical to the execution speed of the low level drivers. The exact nature of the interrupt can be obtained from the EPH Status Register (EPHSR), and enabling of these sources can be done via the Control Register. The possible sources are:

LINK - Link Test transition

CTR_ROL - Statistics counter roll over

TXENA cleared - A fatal transmit error occurred forcing TXENA to be cleared. TX_SUC will be low and the specific reason will be reflected by the bits:

- SQET - SQE Error
- LOST CARR - Lost Carrier
- LATCOL - Late Collision
- 16COL - 16 collisions

Any of the above interrupt sources can be masked by the appropriate ENABLE bits in the Control Register.

- LE ENABLE (Link Error Enable), 2) CR ENABLE (Counter Roll Over), 3) TE ENABLE (Transmit Error Enable)

EPH INT will only be cleared by the following methods:

- Clearing the LE ENABLE bit in the Control Register if an EPH interrupt is caused by a LINK_OK transition.
- Reading the Counter Register if an EPH interrupt is caused by statistics counter roll over.
- Setting TXENA bit high if an EPH interrupt is caused by any of the fatal transmit error listed above (3.1 to 3.5).

RX_OVRN INT - Set when 1) the receiver aborts due to an overrun due to a failed memory allocation, 2) the receiver aborts due to a packet length of greater than 2K bytes, or 3) the receiver aborts due to the RCV DISCRD bit in the RCV register set. The RX_OVRN INT bit latches the condition for the purpose of being polled or generating an interrupt, and will only be cleared by writing the acknowledge register with the RX_OVRN INT bit set.

ALLOC INT - Set when an MMU request for TX ram pages is successful. This bit is the complement of the FAILED bit in the ALLOCATION RESULT register. The ALLOC INT bit is cleared by the MMU when the next allocation request is processed or allocation fails.

TX EMPTY INT - Set if the TX FIFO goes empty, can be used to generate a single interrupt at the end of a sequence of packets enqueued for transmission. This bit latches the empty condition, and the bit will stay set until it is specifically cleared by writing the acknowledge register with the TX EMPTY INT bit set. If a real time reading of the FIFO empty is desired, the bit should be first cleared and then read.

The TX_EMPTY MASK bit should only be set after the following steps:

- A packet is enqueued for transmission
- The previous empty condition is cleared (acknowledged)

TX INT - Set when at least one packet transmission was completed or any of the below transmit fatal errors occurs:

- SQET - SQE Error
- LOST CARR - Lost Carrier
- LATCOL - Late Collision
- 16COL - 16 collisions

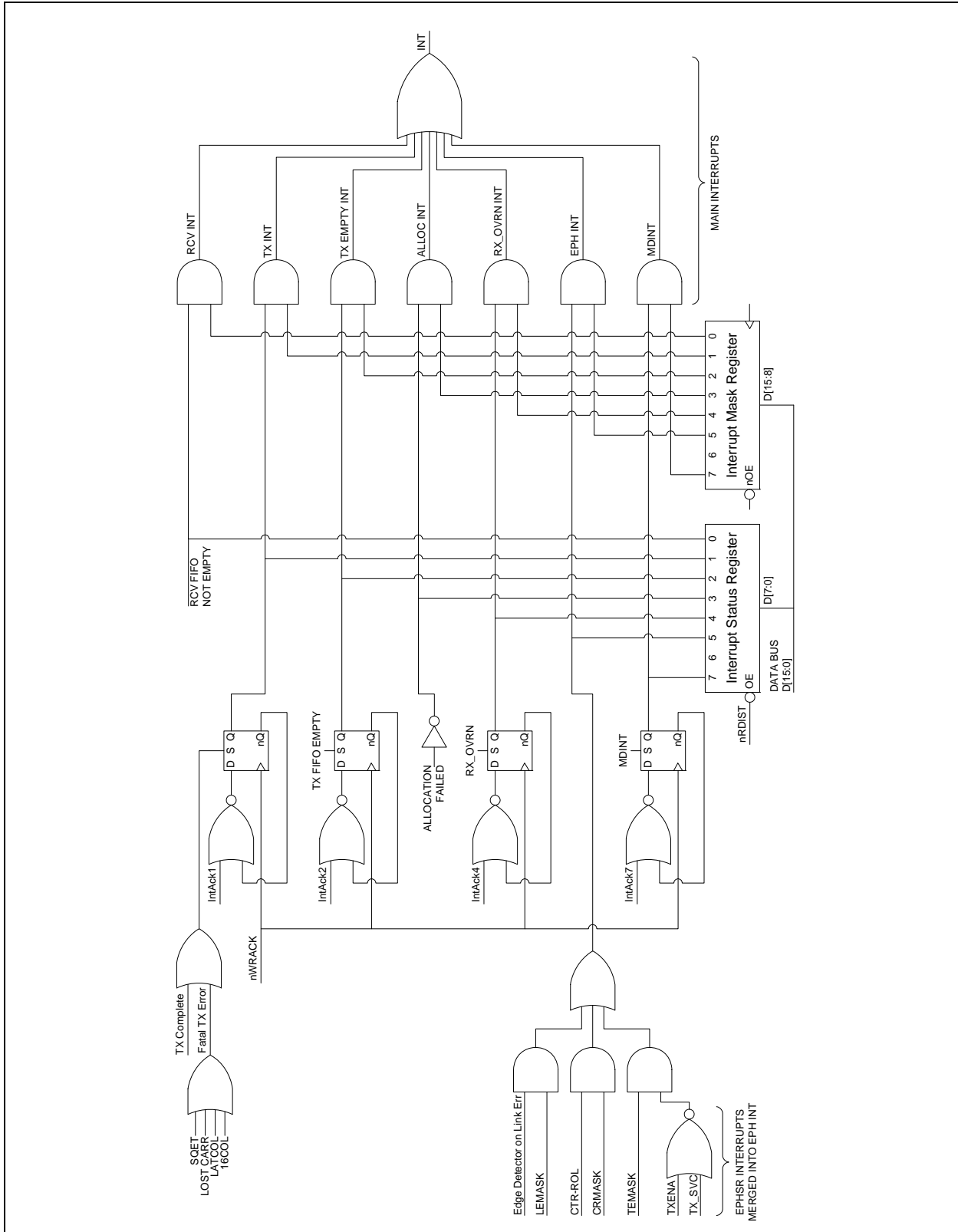
The first packet number to be serviced can be read from the FIFO PORTS register. The TX INT bit is always the logic complement of the TEMPTY bit in the FIFO PORTS register. After servicing a packet number, its TX INT interrupt is removed by writing the Interrupt Acknowledge Register with the TX INT bit set.

RCV INT - Set when a receive interrupt is generated. The first packet number to be serviced can be read from the FIFO PORTS register. The RCV INT bit is always the logic complement of the REMPTY bit in the FIFO PORTS register.

Receive Interrupt is cleared when RX FIFO is empty.

LAN91C111

FIGURE 8-2: INTERRUPT STRUCTURE



8.22 Bank 3 - Multicast Table Registers

| OFFSET | NAME | TYPE | SYMBOL |
|---------------------|-----------------|------------|--------|
| 0 THROUGH H 7 | MULTICAST TABLE | READ/WRITE | MT |

| | | | | | | | | |
|-----------|-------------------|---|---|---|---|---|---|---|
| LOW BYTE | MULTICAST TABLE 0 | | | | | | | |
| | 0 | 0 | 0 | 0 | 0 | 0 | 0 | 0 |
| HIGH BYTE | MULTICAST TABLE 1 | | | | | | | |
| | 0 | 0 | 0 | 0 | 0 | 0 | 0 | 0 |
| LOW BYTE | MULTICAST TABLE 2 | | | | | | | |
| | 0 | 0 | 0 | 0 | 0 | 0 | 0 | 0 |
| HIGH BYTE | MULTICAST TABLE 3 | | | | | | | |
| | 0 | 0 | 0 | 0 | 0 | 0 | 0 | 0 |
| LOW BYTE | MULTICAST TABLE 4 | | | | | | | |
| | 0 | 0 | 0 | 0 | 0 | 0 | 0 | 0 |
| HIGH BYTE | MULTICAST TABLE 5 | | | | | | | |
| | 0 | 0 | 0 | 0 | 0 | 0 | 0 | 0 |
| LOW BYTE | MULTICAST TABLE 6 | | | | | | | |
| | 0 | 0 | 0 | 0 | 0 | 0 | 0 | 0 |
| HIGH BYTE | MULTICAST TABLE 7 | | | | | | | |
| | 0 | 0 | 0 | 0 | 0 | 0 | 0 | 0 |

The 64 bit multicast table is used for group address filtering. The hash value is defined as the six most significant bits of the CRC of the destination addresses. The three msb's determine the register to be used (MT0-MT7), while the other three determine the bit within the register.

If the appropriate bit in the table is set, the packet is received.

If the ALMUL bit in the RCR register is set, all multicast addresses are received regardless of the multicast table values.

Hashing is only a partial group addressing filtering scheme, but being the hash value available as part of the receive status word, the receive routine can reduce the search time significantly. With the proper memory structure, the search is limited to comparing only the multicast addresses that have the actual hash value in question.

LAN91C111

8.23 Bank 3 - Management Interface

| OFFSET | NAME | | | | TYPE | SYMBOL | | |
|--------|----------------------|--|--|--|------------|--------|--|--|
| 8 | MANAGEMENT INTERFACE | | | | READ/WRITE | MGMT | | |

| HIGH BYTE | Reserved | MSK_CRS100 | Reserved | Reserved | Reserved | Reserved | Reserved | Reserved |
|-----------|----------|------------|----------|----------|----------|----------|----------|----------|
| | 0 | 0 | 1 | 1 | 0 | 0 | 1 | 1 |
| LOW BYTE | Reserved | | | | MDOE | MCLK | MDI | MDO |
| | 0 | 0 | 1 | 1 | 0 | 0 | MDI Pin | 0 |

MSK_CRS100 - Disables CRS100 detection during transmit in half duplex mode (SWFDUP=0).

MDO - MII Management output. The value of this bit drives the MDO pin.

MDI - MII Management input. The value of the MDI pin is readable using this bit.

MDCLK - MII Management clock. The value of this bit drives the MDCLK pin.

MDOE - MII Management output enable. When high pin MDO is driven, when low pin MDO is tri-stated.

The purpose of this interface, along with the corresponding pins is to implement MII PHY management in software.

8.24 Bank 3 - Revision Register

| OFFSET | NAME | | | | TYPE | SYMBOL | | |
|--------|-------------------|--|--|--|-----------|--------|--|--|
| A | REVISION REGISTER | | | | READ ONLY | REV | | |

| HIGH BYTE | | | | | | | | |
|-----------|------|---|---|---|-----|---|---|---|
| | 0 | 0 | 1 | 1 | 0 | 0 | 1 | 1 |
| LOW BYTE | CHIP | | | | REV | | | |
| | 1 | 0 | 0 | 1 | 0 | 0 | 1 | 0 |

CHIP - Chip ID. Can be used by software drivers to identify the device used.

REV - Revision ID. Incremented for each revision of a given device.

8.25 Bank 3 - RCV Register

| OFFSET | NAME | TYPE | SYMBOL |
|--------|--------------|------------|--------|
| C | RCV REGISTER | READ/WRITE | RCV |

| | | | | | | | | |
|-----------|------------|----------|----------|-----|-----|-----|-----|-----|
| HIGH BYTE | Reserved | | | | | | | |
| | 0 | 0 | 0 | 0 | 0 | 0 | 0 | 0 |
| LOW BYTE | RCV DISCRD | Reserved | Reserved | MBO | MBO | MBO | MBO | MBO |
| | 0 | 0 | 0 | 1 | 1 | 1 | 1 | 1 |

RCV DISCRD - Set to discard a packet being received. Will discard packets only in the process of being received. When set prior to the end of receive packet, bit 4 (RXOVRN) of the interrupt status register will be set to indicate that the packet was discarded. Otherwise, the packet will be received normally and bit 0 set (RCVINT) in the interrupt status register. RCV DISCRD is self clearing.

MBO - Must be 1.

8.26 Bank 7 - External Registers

| OFFSET | NAME | TYPE | SYMBOL |
|---------------------|--------------------|------|--------|
| 0 THROUGH H 7 | EXTERNAL REGISTERS | | |

nCSOUT is driven low by the LAN91C111 when a valid access to the EXTERNAL REGISTER range occurs.

| | | | | | | | | |
|-----------|-----------------------|--|--|--|--|--|--|--|
| HIGH BYTE | EXTERNAL R/W REGISTER | | | | | | | |
| | | | | | | | | |
| LOW BYTE | EXTERNAL R/W REGISTER | | | | | | | |
| | | | | | | | | |

| Cycle | nCSOUT | LAN91C111 Data Bus |
|--|--|--|
| AEN=0 A3=0 A4-15 matches I/O BASE BANK SELECT = 7 | Driven low. Transparently latched on nADS rising edge. | Ignored on writes. Tri-stated on reads. |
| BANK SELECT = 4,5,6 | High | Ignore cycle. |
| Otherwise | High | Normal LAN91C111 cycle. |

9.0 PHY MII REGISTERS

Multiple Register Access

Multiple registers can be accessed on a single PHY MI serial port access cycle with the multiple register access features. The multiple register access features can be enabled by setting the multiple register access enables bit in the PHY MI serial port Configuration 2 register. When multiple register access is enabled, multiple registers can be accessed on a single PHY MI serial port access cycle by setting the register address to 11111 during the first 16 MDC clock cycles. There is no actual register residing in register address location 11111, so when the register address is then set to 11111, all eleven registers are accessed on the 176 rising edges of MDC that occur after the first 16 MDC clock cycles of the PHY MI serial port access cycle. The registers are accessed in numerical order from 0 to 20. After all 192 MDC clocks have been completed, all the registers have been read/written, and the serial shift process is halted, data is latched into the device, and MDIO goes into high impedance state. Another serial shift cycle cannot be initiated until the idle condition (at least 32 continuous 1's) is detected.

Bit Types

Since the serial port is bi-directional, there are many types of bits. Write bits (W) are inputs during a write cycle and are high impedance during a read cycle. Read bits (R) are outputs during a read cycle and high impedance during a write cycle. Read/Write bits (RW) are actually write bits, which can be read out during a read cycle. R/WSC bits are R/W bits that are self-clearing after a set period of time or after a specific event has completed. R/LL bits are read bits that latch themselves when they go low, and they stay latched low until read. After they are read, they are reset high. R/LH bits are the same as R/LL bits except that they latch high. R/LT are read bits that latch themselves whenever they make a transition or change value, and they stay latched until they are read. After R/LT bits are read, they are updated to their current value. R/LT bits can also be programmed to assert the interrupt function.

Bit Type Definition:

| | | | |
|--------------|--------------------------|---------------|--------------------------|
| R: | Read Only | R/WSC: | Read/Write Self Clearing |
| W: | Write Only | R/LH: | Read/Latch high |
| RW: | Read/Write | R/LL: | Read/Latch low |
| R/LT: | Read/Latch on Transition | | |

| Register Address | Register Name |
|------------------|--|
| 0 | Control |
| 1 | Status |
| 2,3 | PHY ID |
| 4 | Auto-Negotiation Advertisement |
| 5 | Auto-Negotiation Remote End Capability |
| 6...15 | Reserved |
| 16 | Configuration 1 |
| 17 | Configuration 2 |
| 18 | Status Output |
| 19 | Mask |
| 20 | Reserved |

LAN91C111

PHY Register Description:

TABLE 9-1: MII SERIAL FRAME STRUCTURE

| <Idle> | <Start> | <Read> | <Write> | <PHY Addr.> | <REG.Addr.> | <Turnaround> | <Data> |
|--------|---------|--------|---------|-------------|-------------|--------------|---------|
| IDLE | ST[1:0] | READ | WRITE | PHYAD[4:0] | REGAD[4:0] | TA[1:0] | D[15:0] |

D[15:0]



| | |
|-------------|--|
| Register 0 | Control |
| Register 1 | Status |
| Register 2 | PHY ID#1 |
| Register 3 | PHY ID#2 |
| Register 4 | Auto-Negotiation Advertisement |
| Register 5 | Auto-Negotiation Remote End Capability |
| Register 16 | Configuration 1 |
| Register 17 | Configuration 2 |
| Register 18 | Status Output |
| Register 19 | Mask |
| Register 20 | Reserved |

| Symbol | Name | Definition | R/W |
|------------|-------------------------|---|-----|
| IDLE | Idle Pattern | These bits are an idle pattern. Device will not initiate an MI cycle until it detects at least 32 1's | W |
| ST1 ST0 | Start Bits | When ST[1:0]=01, a MI Serial Port access cycle starts. | W |
| READ | Read Select | 1 = Read Cycle | W |
| WRITE | Write Select | 1 = Write Cycle | W |
| PHYAD[4:0] | Physical Device Address | PHYSICAL ADDRESS | R |
| REGAD[4:0] | Register Address | If REGAD[4:0] = 0000-11110, these bits determine the specific register from which D[15:0] is read/written. If multiple register access is enabled and REGAD[4:0] = 11111, all registers are read/written in a single cycle. | W |

| Symbol | Name | Definition | R/W |
|-------------|--------------------|---|-----|
| TA1 TA0 | Turnaround Time | <p>These bits provide some turnaround time for MDIO</p> <p>When READ = 1, TA[1:0] = Z0 When WRITE = 1, TA[1:0] = 10</p> <p>The turnaround time is a 2 bit time spacing between the Register Address field and the Data field of a management frame to avoid contention during a read transaction. For a read transaction, both the STA and the PHY shall remain in a high impedance state for the first bit time of the turnaround. The PHY shall drive a zero bit during the second bit time of the turnaround of a read transaction. During a write transaction, the STA shall drive a one bit for the first bit time of the turnaround and a zero bit for the second bit time of the turnaround.</p> | R/W |
| D[15:0].... | Data | These 16 bits contain data to/from one of the eleven registers selected by register address bits REGAD[4:0]. | Any |

FIGURE 9-1: MII SERIAL PORT REGISTER MAP

| | x.15 | x.14 | x.13 | x.12 | x.11 | x.10 | x.9 | x.8 | x.7 | x.6 | x.5 | x.4 | x.3 | x.2 | x.1 | x.0 |
|--------------------------------|----------|----------|----------|----------|----------|----------|----------|----------|----------|----------|----------|----------|----------|----------|----------|----------|
| 0 Control | RST | LPBK | SPEED | ANEG_EN | PDN | MIL_DIS | ANEG_RST | DPLX | COLTST | Reserved | Reserved | Reserved | Reserved | Reserved | Reserved | Reserved |
| | R/W | R/W | R/W | R/W | R/W | R/W | R/W | R/W | R/W | R/W | R/W | R/W | R/W | R/W | R/W | R/W |
| 1 Status | CAP_T4 | CAP_TXF | CAP_TXH | CAP_TF | CAP_TH | Reserved | Reserved | Reserved | Reserved | CAP_SUPR | ANEG_ACK | REM_FLT | CAP_ANEG | LINK | JAB | EXREG |
| | R | R | R | R | R | R | R | R | R | R | R | R/LH | R | R/LH | R | R |
| 2 PHY ID #1 | OUI3 | OUI4 | OUI5 | OUI6 | OUI7 | OUI8 | OUI9 | OUI10 | OUI11 | OUI12 | OUI13 | OUI14 | OUI15 | OUI16 | OUI17 | OUI18 |
| | R | R | R | R | R | R | R | R | R | R | R | R | R | R | R | R |
| 3 PHY ID #2 | OUI19 | OUI20 | OUI21 | OUI22 | OUI23 | OUI24 | PART5 | PART4 | PART3 | PART2 | PART1 | PART0 | REV3 | REV2 | REV1 | REV0 |
| | R | R | R | R | R | R | R | R | R | R | R | R | R | R | R | R |
| 4 AutoNegot. Advertisement | NP | ACK | RF | Reserved | Reserved | Reserved | T4 | TX_FDX | TX_HDX | 10_JDX | 10_HDX | Reserved | Reserved | Reserved | Reserved | CSMA |
| | R | R | R | R/W | R/W | R/W | R/W | R/W | R/W | R/W | R/W | R/W | R/W | R/W | R/W | R/W |
| 5 AutoNegot. Remote Capability | NP | ACK | RF | Reserved | Reserved | Reserved | T4 | TX_FDX | TX_HDX | 10_JDX | 10_HDX | Reserved | Reserved | Reserved | Reserved | CSMA |
| | R | R | R | R | R | R | R | R | R | R | R | R | R | R | R | R |
| 16 Configuration 1 | LNKDIS | XMTDIS | XMTDPN | Reserved | Reserved | Reserved | BYPSCR | UNSCDS | EQLZR | CABLE | RLVL0 | TLVL2 | TLVL1 | TLVL0 | TRF1 | TRF0 |
| | R | R | R | R/W | R/W | R/W | R/W | R/W | R/W | R/W | R/W | R/W | R/W | R/W | R/W | R/W |
| 17 Configuration 2 | Reserved | Reserved | Reserved | Reserved | Reserved | Reserved | Reserved | Reserved | Reserved | Reserved | Reserved | Reserved | Reserved | Reserved | Reserved | Reserved |
| | R | R | R | R/W | R/W | R/W | R/W | R/W | R/W | R/W | R/W | R/W | R/W | R/W | R/W | R/W |
| 18 Status Output | INT | LNKFAIL | LOSSSYNC | CWRD | SSD | ESD | RPOL | JAB | SPDDET | DPLXDET | Reserved | Reserved | Reserved | Reserved | Reserved | Reserved |
| | R | R/LT | R/LT | R/LT | R/LT | R/LT | R/LT | R/LT | R/LT | R/LT | R/LT | R/LT | R | R | R | R |
| 19 Mask | MINT | MLNKFAIL | MLOSSYSN | MCWRD | MSSD | MESD | MIRPOL | MJAB | MSPDDET | MDPLDET | Reserved | Reserved | Reserved | Reserved | Reserved | Reserved |
| | R | R/W | R/W | R/W | R/W | R/W | R/W | R/W | R/W | R/W | R/W | R/W | R/W | R/W | R/W | R/W |
| 20 Reserved | Reserved | Reserved | Reserved | Reserved | Reserved | Reserved | Reserved | Reserved | Reserved | Reserved | Reserved | Reserved | Reserved | Reserved | Reserved | Reserved |
| | R/W | R/W | R/W | R/W | R/W | R/W | R/W | R/W | R/W | R/W | R/W | R/W | R/W | R/W | R/W | R/W |

9.1 Register 0. Control Register

| | | | | | | | |
|--------|------|-------|---------|-----|---------|----------|------|
| RST | LPBK | SPEED | ANEG_EN | PDN | MII_DIS | ANEG_RST | DPLX |
| RW, SC | RW | RW | RW | RW | RW | RW, SC | RW |
| 0 | 0 | 1 | 1 | 0 | 1 | 0 | 0 |

| | | | | | | | |
|-------|----------|----------|----------|----------|----------|----------|----------|
| COLST | Reserved | Reserved | Reserved | Reserved | Reserved | Reserved | Reserved |
| RW | RW | RW | RW | RW | RW | RW | RW |
| 0 | 0 | 0 | 0 | 0 | 0 | 0 | 0 |

9.1.1 RST - RESET

A '1' written to this bit will initiate a reset of the PHY. The bit is self-clearing, and the PHY will return a '1' on reads to this bit until the reset is completed. Write transactions to this register may be ignored while the PHY is processing the reset. All PHY registers will be driven to their default states after a reset. The internal PHY is ready for normal operation 50 mS after the RST bit is set. Software driver requires to wait for 50mS after setting the RST bit to high to access the internal PHY again.

9.1.2 LPBK - Loopback

Writing a '1' will put the PHY into loopback mode.

9.1.3 SPEED (SPEED SELECTION)

When Auto-Negotiation is disabled this bit can be used to manually select the link speed. Writing a '1' to this bit selects 100 Mbps, a '0' selects 10 Mbps.

When Auto-Negotiation is enabled reading or writing this bit has no meaning/effect.

9.1.4 ANEN_EN - AUTO-NEGOTIATION ENABLE

Auto-Negotiation (ANEG) is on when this bit is '1'. In that case the contents of bits Speed and Duplex are ignored and the ANEG process determines the link configuration.

9.1.5 PDN - POWER DOWN

Setting this bit to '1' will put the PHY in PowerDown mode. In this state the PHY will respond to management transactions.

Note: This bit must not be set when the device is in external PHY mode.

9.1.6 MII_DIS - MII DISABLE

Setting this bit will set the PHY to an isolated mode in which it will respond to MII management frames over the MII management interface but will ignore data on the MII data interface. *The internal PHY is placed in isolation mode at power up and reset. It can be removed from isolation mode by clearing the MII_DIS bit in the PHY Control Register. If necessary, the internal PHY can be enabled by clearing the EXT_PHY bit in the Configuration Register.*

9.1.7 ANEG_RST - AUTO-NEGOTIATION RESET

This bit will return 0 if the PHY does not support ANEG or if ANEG is disabled through the ANEG_EN bit. If neither of the previous is true, setting this bit to '1' resets the ANEG process. This bit is self clearing and the PHY will return a '1' until ANEG is initiated, writing a '0' does not affect the ANEG process.

LAN91C111

9.1.8 DPLX - DUPLEX MODE

When Auto-Negotiation is disabled this bit can be used to manually select the link duplex state. Writing a '1' to this bit selects full duplex while a '0' selects half duplex.

When Auto-Negotiation is enabled reading or writing this bit has no effect.

9.1.9 COLTST - COLLISION TEST

Setting a '1' allows for testing of the MII COL signal. '0' allows normal operation.

Reserved: Reserved, Must be 0 for Proper Operation

9.2 Register 1. Status Register

| CAP_T4 | CAP_TXF | CAP_TXH | CAP_TF | CAP_TH | Reserved | Reserved. | Reserved |
|--------|---------|---------|--------|--------|----------|-----------|----------|
| R | R | R | R | R | R | R | R |
| 0 | 1 | 1 | 1 | 1 | 0 | 0 | 0 |

| Reserved | CAP_SUPR | ANEG_ACK | REM_FLT | CAP_ANEG | LINK | JAB | EXREG |
|----------|----------|----------|---------|----------|-------|-------|-------|
| R | R | R | R, LH | R | R, LL | R, LH | R |
| 0 | 0 | 0 | 0 | 1 | 0 | 0 | 1 |

9.2.1 CAP_T4 - 100BASE-T4 CAPABLE

'1' Indicates 100Base-T4 capable PHY, '0' not capable.

9.2.2 CAP_TXF - 100BASE-TX FULL DUPLEX CAPABLE

'1' Indicates 100Base-X full duplex capable PHY, '0' not capable.

9.2.3 CAP_TXH - 100BASE-TX HALF DUPLEX CAPABLE

'1' Indicates 100Base-X half duplex capable PHY, '0' not capable.

9.2.4 CAP_TF - 10BASE-T FULL DUPLEX CAPABLE

'1' Indicates 10Mbps full duplex capable PHY, '0' not capable.

9.2.5 CAP_TH - 10BASE-T HALF DUPLEX CAPABLE

'1' Indicates 10Mbps half duplex capable PHY, '0' not capable.

Reserved: Reserved, Must be 0 for Proper Operation.

9.2.6 CAP_SUPR - MI PREAMBLE SUPPRESSION CAPABLE

'1' indicates the PHY is able to receive management frames even if not preceded by a preamble. '0' when it is not able.

9.2.7 ANEG_ACK - AUTO-NEGOTIATION ACKNOWLEDGMENT

When read as '1' indicate ANEG has been completed and that contents in registers 4,5,6 and 7 are valid. '0' means ANEG has not completed and contents in registers 4,5,6 and 7 are meaningless. The PHY returns zero if ANEG is disabled.

9.2.8 REM_FLT- REMOTE FAULT DETECT

'1' indicates a Remote Fault. Latches the '1' condition and is cleared by reading this register or resetting the PHY.

9.2.9 CAP_ANEG - AUTO-NEGOTIATION CAPABLE

Indicates the ability ('1') to perform ANEG or not ('0').

9.2.10 LINK - LINK STATUS

A '1' indicates a valid Link and a '0' and invalid Link. The '0' condition is latched until this register is read.

9.2.11 JAB - JABBER DETECT

Jabber condition detected when '1' for 10Mbps. '1' latched until this register is read or the PHY is reset. Always '0' for 100Mbps

9.2.12 EXREG - EXTENDED CAPABILITY REGISTER

'1' Indicates extended registers are implemented

9.3 Register 2&3. PHY Identifier Register

These two registers (offsets 2 and 3) provide a 32-bit value unique to the PHY.

| REG | Bits | Name | Default Value | R/W | Soft Reset |
|-----|-------|---------------------------|-----------------|-----|------------------------|
| 2 | 15-0 | Company ID | 000000000010110 | R | Retains Original Value |
| 3 | 15-10 | Company ID | 111110 | R | Retains Original Value |
| 3 | 9-4 | Manufacturer's ID | 000100 | R | Retains Original Value |
| 3 | 3-0 | Manufacturer's Revision # | - - - - | R | Retains Original Value |

9.4 Register 4. Auto-Negotiation Advertisement Register

| | | | | | | | |
|----|-----|----|----------|----------|----------|----|--------|
| NP | ACK | RF | Reserved | Reserved | Reserved | T4 | TX_FDX |
| RW | R | RW | RW | RW | RW | RW | RW |
| 0 | 0 | 0 | 0 | 0 | 0 | 0 | 1 |

| | | | | | | | |
|--------|--------|--------|----------|----------|----------|----------|------|
| TX_HDX | 10_FDX | 10_HDX | Reserved | Reserved | Reserved | Reserved | CSMA |
| RW | RW | RW | RW | RW | RW | RW | RW |
| 1 | 1 | 1 | 0 | 0 | 0 | 0 | 1 |

This register control the values transmitted by the PHY to the remote partner when advertising its abilities.

9.4.1 NP - NEXT PAGE

A '1' indicates the PHY wishes to exchange Next Page information.

9.4.2 ACK - ACKNOWLEDGE

It is used by the Auto-Negotiation function to indicate that a device has successfully received its Link Partner's Link code Word.

9.4.3 RF - REMOTE FAULT

When set, an advertisement frame will be sent with the corresponding bit set. This in turn will cause the PHY receiving it to set the Remote Fault bit in its Status register

LAN91C111

9.4.4 T4 - 100BASE-T4

A '1' indicates the PHY is capable of 100BASE-T4

9.4.5 TX_FDX - 100BASE-TX FULL DUPLEX CAPABLE

A '1' indicates the PHY is capable of 100BASE-TX Full Duplex

9.4.6 TX_HDX - 100BASE-TX HALF DUPLEX CAPABLE

A '1' indicates the PHY is capable of 100BASE-TX Half Duplex

9.4.7 10_FDX - 10BASE-T FULL DUPLEX CAPABLE

A '1' indicates the PHY is capable of 10BASE-T Full Duplex

9.4.8 10_HDX - 10BASE-T HALF DUPLEX CAPABLE

A '1' indicates the PHY is capable of 10BASE-T Half Duplex

The management entity sets the value of this field prior to Auto-Negotiation.

'1' in these bit indicates that the mode of operation that corresponds to these will be acceptable to be auto-negotiated to. Only modes supported by the PHY can be set.

9.4.9 CSMA

A '1' indicates the PHY is capable of 802.3 CSMA Operation.

9.5 Register 5. Auto-Negotiation Remote End Capability Register

| NP | ACK | RF | Reserved | Reserved | Reserved | T4 | TX_FDX |
|----|-----|----|----------|----------|----------|----|--------|
| R | R | R | R | R | R | R | R |
| 0 | 0 | 0 | 0 | 0 | 0 | 0 | 0 |

| TX_HDX | 10_FDX | 10_HDX | Reserved | Reserved | Reserved | Reserved | CSMA |
|--------|--------|--------|----------|----------|----------|----------|------|
| R | R | R | R | R | R | R | R |
| 0 | 0 | 0 | 0 | 0 | 0 | 0 | 0 |

The bit definitions are analogous to the Auto-Negotiation Advertisement Register.

9.6 Register 16. Configuration 1- Structure and Bit Definition

| LNKDIS | XMTDIS | XMTPDN | Reserved | Reserved | BYPSCR | UNSCDS | EQLZR |
|--------|--------|--------|----------|----------|--------|--------|-------|
| RW | RW | RW | RW | RW | RW | RW | RW |
| 0 | 0 | 0 | 0 | 0 | 0 | 0 | 0 |

| CABLE | RLVL0 | TLVL3 | TLVL2 | TLVL1 | TLVL0 | TRF1 | TRF0 |
|-------|-------|-------|-------|-------|-------|------|------|
| RW | RW | RW | RW | RW | RW | RW | RW |
| 0 | 0 | 1 | 0 | 0 | 0 | 1 | 0 |

| | | |
|------------------|-------------------------------------|--|
| LNKDIS: | Link Disable | 1 = Receive Link Detect Function Disabled (Force Link Pass) 0 = Normal |
| XMTDIS: | TP Transmit | 1 = TP Transmitter Disabled 0 = Normal |
| XMTPDN: | TP Transmit Powerdown | 1 = TP Transmitter Powered Down 0 = Normal |
| RESERVED: | <i>RESERVED</i> | Reserved, Must be 0 for Proper Operation |
| BYPSCR: | Bypass Scrambler/Descrambler Select | 1 = Bypass Scrambler/Descrambler 0 = No Bypass |
| UNSCDS: | Unscrambled Idle Reception Disable | 1 = Disable Auto-Negotiation with devices that transmit unscrambled idle on powerup and various instances 0 = Enables Auto-Negotiation with devices that transmit unscrambled idle on powerup and various instances |
| EQLZR: | Receive Equalizer Select | 1 = Receive Equalizer Disabled, Set To 0 Length 0 = Receive Equalizer On (For 100MB Mode Only) |
| CABLE | Cable Type Select | 1 = STP (150 Ohm) 0 = UTP (100 Ohm) |
| RLVLO | Receive Input Level Adjust | 1 = Receive Squelch Levels Reduced By 4.5 dB R/W 0 = Normal |
| TLVL0-3 | Transmit Output Level Adjust | See Table 7-2 |
| TRF0-1 | Transmitter Rise/Fall Time Adjust | 11 = -0.25nS 10 = +0.0nS 01 = +0.25nS 00 = +0.50nS |

9.7 Register 17. Configuration 2 - Structure and Bit Definition

| | | | | | | | |
|----------|----------|----------|----------|----------|----------|----------|----------|
| Reserved | Reserved | Reserved | Reserved | Reserved | Reserved | Reserved | Reserved |
| R | R | R | R | R | R | R | R |
| 1 | 1 | 1 | 1 | 1 | 1 | 1 | 1 |

| | | | | | | | |
|----------|----------|---------|--------|------|---------|----------|----------|
| Reserved | Reserved | APOLDIS | JABDIS | MREG | INTMDIO | Reserved | Reserved |
| R | R | RW | RW | RW | RW | RW | RW |
| 0 | 0 | 0 | 0 | 0 | 0 | 0 | 0 |

LAN91C111

| | | | |
|------------------|---------------------------------|--|--|
| APOLDIS: | Auto Polarity Disable | 1 = Auto Polarity Correction Function Disabled 0 = Normal | 1 = Auto Polarity Correction Function Disabled 0 = Normal |
| JABDIS: | Jabber Disable Select | 1 = Jabber Disabled RW 0 = Enabled | 1 = Jabber Disabled 0 = Enabled |
| MREG: | Multiple Register Access Enable | 1 = Multiple Register Access Enabled 0 = No Multiple Register Access | 0 = No Multiple Register Access |
| INTMDIO: | Interrupt Scheme Select | 1 = Interrupt Signaled With MDIO Pulse During Idle 0 = Interrupt Not Signaled On MDIO | 1 = Interrupt Signaled With MDIO Pulse During Idle 0 = Interrupt Not Signaled On MDIO |
| Reserved: | Reserved for Factory Use | | |

9.8 Register 18. Status Output - Structure and Bit Definition

| | | | | | | | |
|-----|---------|----------|------|------|------|------|------|
| INT | LNKFAIL | LOSSSYNC | CWRD | SSD | ESD | RPOL | JAB |
| R | R/LT | R/LT | R/LT | R/LT | R/LT | R/LT | R/LT |
| 0 | 0 | 0 | 0 | 0 | 0 | 0 | 0 |

| | | | | | | | |
|--------|---------|----------|----------|----------|----------|----------|----------|
| SPDDET | DPLXDET | Reserved | Reserved | Reserved | Reserved | Reserved | Reserved |
| R/LT | R/LT | R | R | R | R | R | R |
| 1 | 0 | 0 | 0 | 0 | 0 | 0 | 0 |

| | | |
|------------------|--|---|
| INT: | Interrupt Detect | 1 = Interrupt Bit(s) Have Changed Since Last Read Operation. 0 = No Change |
| LNKFAIL: | Link Fail Detect | 1 = Link Not Detected 0 = Normal |
| LOSSSYNC: | Descrambler Loss of Synchronization Detect | 1 = Descrambler Has Lost Synchronization 0 = Normal |
| CWRD: | Codeword Error | 1 = Invalid 4B5B Code Detected On Receive Data 0 = Normal |
| SSD: | Start Of Stream Error | 1 = No Start Of Stream Delimiter Detected on Receive Data 0 = Normal |
| ESD: | End Of Stream Error | 1 = No End Of Stream Delimiter Detected on Receive Data 0 = Normal |
| RPOL: | Reverse Polarity Detect | 1 = Reverse Polarity Detected |
| JAB: | Jabber Detect | 1 = Jabber Detected 0 = Normal |
| SPDDET: | 100/10 Speed Detect | 1 = Device in 100Mbps Mode (100BASE-TX) 0 = Device in 10Mbps Mode (10BASE-T) |
| DPLXDET: | Duplex Detect | 1 = Device In Full Duplex 0 = Device In Half Duplex |
| Reserved: | Reserved | Reserved for Factory Use |

9.9 Register 19. Mask - Structure and Bit Definition

| | | | | | | | |
|------|----------|---------|-------|------|------|-------|------|
| MINT | MLNKFAIL | MLOSSYN | MCWRD | MSSD | MESD | MRPOL | MJAB |
| RW | RW | RW | RW | RW | RW | RW | RW |
| 1 | 1 | 1 | 1 | 1 | 1 | 1 | 1 |

| | | | | | | | |
|--------|--------|----------|----------|----------|----------|----------|----------|
| MSPDDT | MDPLDT | Reserved | Reserved | Reserved | Reserved | Reserved | Reserved |
| RW | RW | RW | RW | RW | RW | RW | RW |
| 1 | 1 | 0 | 0 | 0 | 0 | 0 | 0 |

LAN91C111

| | | |
|------------------|---|---|
| MINT: | Interrupt Mask Interrupt Detect | 1 = Mask Interrupt For INT In Register 18 0 = No Mask |
| MLNKFAIL: | Interrupt Mask Link Fail Detect | 1 = Mask Interrupt For LNKFAIL In Register 18 0 = No Mask |
| MLOSSSYN: | Interrupt Mask Descrambler Loss of Synchronization Detect | 1 = Mask Interrupt For LOSSSYNC In Register 18 0 = No Mask |
| MCWRD: | Interrupt Mask Codeword Error | 1 = Mask Interrupt For CWRD In Register 18 0 = No Mask |
| MSSD: | Interrupt Mask Start Of Stream Error | 1 = Mask Interrupt For SSD In Register 18 0 = No Mask |
| MESD: | Interrupt Mask End Of Stream Error | 1 = Mask Interrupt For ESD In Register 18 0 = No Mask |
| MRPOL: | Interrupt Mask Reverse Polarity Detect | 1 = Mask Interrupt For RPOL In Register 18 0 = No Mask |
| MJAB: | Interrupt Mask Jabber Detect | 1 = Mask Interrupt For JAB In Register 18 0 = No Mask |
| MSPDDT: | Interrupt Mask 100/10 Speed Detect | 1 = Mask Interrupt For SPDDT In Register 18 0 = No Mask |
| MDPLDT: | Interrupt Mask Duplex Detect | 1 = Mask Interrupt For DPLXDET In Register 18 0 = No Mask |
| Reserved: | Reserved | Reserved for Factory Use |

9.10 Register 20. Reserved - Structure and Bit Definition

| | | | | | | | |
|----------|----------|----------|----------|----------|----------|----------|----------|
| Reserved | Reserved | Reserved | Reserved | Reserved | Reserved | Reserved | Reserved |
| RW | RW | RW | RW | RW | RW | RW | RW |
| 0 | 0 | 0 | 0 | 0 | 0 | 0 | 0 |

| | | | | | | | |
|----------|----------|----------|----------|----------|----------|----------|----------|
| Reserved | Reserved | Reserved | Reserved | Reserved | Reserved | Reserved | Reserved |
| RW | RW | RW | RW | RW | RW | RW | RW |
| 1 | 0 | 1 | 0 | 0 | 0 | 0 | 0 |

Reserved: Reserved for Factory Use.

10.0 SOFTWARE DRIVER AND HARDWARE SEQUENCE FLOW

10.1 Software Driver and Hardware Sequence Flow for Power Management

This section describes the sequence of events and the interaction between the Host Driver and the Ethernet controller to perform power management. The Ethernet controller has the ability to reduce its power consumption when the Device is not required to receive or transmit Ethernet Packets.

Power Management is obtained by disabling the EPH clocks, including the Clocks derived from the Internal PHY block to reduce internal switching, this reducing current consumption.

The Host interface however, will still be accessible. As discussed in [Table 10-1](#) and [Table 10-2](#), the tables describe the interaction between the EPH and Host driver allowing the Device to transition from low power state to normal functionality and vice versa.

TABLE 10-1: TYPICAL FLOW OF EVENTS FOR PLACING DEVICE IN LOW POWER MODE

| | S/W Driver | Controller Function |
|----|--|--|
| 1 | Disable Transmitter – Clear the TXENA bit of the Transmit Control Register | Ethernet MAC finishes packet currently being transmitted. |
| 2 | Remove and release all TX completion packet numbers on the TX completion FIFO. | |
| 3 | Disable Receiver – Clear the RXEN bit of the Receive Control Register. | The receiver completes receiving the current frame, if any, and then goes idle. Ethernet MAC will no longer receive any packets. |
| 4 | Process all Received packets and Issue a Remove and Release command for each respective RX packet buffer. | RX and TX completion FIFO's are now Empty and all MMU packet numbers are now free. |
| 5 | Disable Interrupt sources – Clear the Interrupt Status Register | |
| | Save Device Context – Save all Specific Register Values set by the driver. | |
| 6 | Set PDN bit in PHY MI Register 0 to 1 Note: This bit must not be set when the device is in external PHY mode. | |
| 7 | | The internal PHY entered in powerdown mode, the TP outputs are in high impedance state. |
| 8 | Write to the “EPH Power EN” Bit located in the configuration register, Bank 1 Offset 0. | |
| 9 | | Ethernet MAC gates the RX Clock, TX clock derived from the Internal PHY. The EPH Clock is also disabled. |
| 10 | The Ethernet MAC is now in low power mode. The Host may access all Runtime IO mapped registers. All IO registers are still accessible. However, the Host should not read or write to the registers with the exception of: Configuration Register Control Register Bank Register | |

LAN91C111

TABLE 10-2: FLOW OF EVENTS FOR RESTORING DEVICE IN NORMAL POWER MODE

| | S/W Driver | Controller Function |
|---|---|---|
| 1 | Write and set (1) the "EPH Power EN" Bit, located in the configuration register, Bank 1 Offset 0. | |
| 2 | | Ethernet MAC Enables the RX Clock, TX clock derived from the Internal PHY. The EPH Clock is also enabled. |
| 3 | Write the PDN bit in PHY MI Register 0 to 0 Note: Only performed when device is in internal PHY mode. | The PHY is then set in isolation mode (MII_DIS bit is set). Need to clear this MII_DIS bit; and, need to wait for 500 ms for the PHY to restore normal. |
| 4 | | Internal PHY entered normal operation mode |
| 5 | Issue MMU Reset Command | |
| 6 | Restore Device Register Level Context. | |
| 7 | Enable Transmitter – Set the TXENA bit of the Transmit Control Register | Ethernet MAC can now transmit Ethernet Packets. |
| 8 | Enable Receiver – Set (1) the RXEN bit of the Receive Control Register. | Ethernet MAC is now able to receive Packets. |
| 9 | | Ethernet MAC is now restored for normal operation. |

10.2 Typical Flow of Events for Transmit (Auto Release = 0)

| | S/W Driver | MAC Side |
|---|--|--|
| 1 | ISSUE ALLOCATE MEMORY FOR TX - N BYTES - the MMU attempts to allocate N bytes of RAM. | |
| 2 | WAIT FOR SUCCESSFUL COMPLETION CODE - Poll until the ALLOC INT bit is set or enable its mask bit and wait for the interrupt. The TX packet number is now at the Allocation Result Register. | |
| 3 | LOAD TRANSMIT DATA - Copy the TX packet number into the Packet Number Register. Write the Pointer Register, then use a block move operation from the upper layer transmit queue into the Data Register. | |
| 4 | ISSUE "ENQUEUE PACKET NUMBER TO TX FIFO" - This command writes the number present in the Packet Number Register into the TX FIFO. The transmission is now enqueued. No further CPU intervention is needed until a transmit interrupt is generated. | |
| 5 | | The enqueued packet will be transferred to the MAC block as a function of TXENA (nTCR) bit and of the deferral process (1/2 duplex mode only) state. |

| | S/W Driver | MAC Side |
|---|---|---|
| 6 | | <p>Upon transmit completion the first word in memory is written with the status word. The packet number is moved from the TX FIFO into the TX completion FIFO. Interrupt is generated by the TX completion FIFO being not empty.</p> <p>If a TX failure occurs on any packets, TX INT is generated and TXENA is cleared, transmission sequence stops. The packet number of the failure packet is presented at the TX FIFO PORTS Register.</p> |
| 7 | <p>SERVICE INTERRUPT - Read Interrupt Status Register. If it is a transmit interrupt, read the TX FIFO Packet Number from the FIFO Ports Register. Write the packet number into the Packet Number Register. The corresponding status word is now readable from memory. If status word shows successful transmission, issue RELEASE packet number command to free up the memory used by this packet. Remove packet number from completion FIFO by writing TX INT Acknowledge Register.</p> <p>Option 1) Release the packet.</p> <p>Option 2) Check the transmit status in the EPH STATUS Register, write the packet number of the current packet to the Packet Number Register, re-enable TXENA, then go to step 4 to start the TX sequence again.</p> | |

10.3 Typical Flow of Events for Transmit (Auto Release = 1)

| | S/W Driver | MAC Side |
|---|--|--|
| 1 | ISSUE ALLOCATE MEMORY FOR TX - N BYTES - the MMU attempts to allocate N bytes of RAM. | |
| 2 | WAIT FOR SUCCESSFUL COMPLETION CODE - Poll until the ALLOC INT bit is set or enable its mask bit and wait for the interrupt. The TX packet number is now at the Allocation Result Register. | |
| 3 | LOAD TRANSMIT DATA - Copy the TX packet number into the Packet Number Register. Write the Pointer Register, then use a block move operation from the upper layer transmit queue into the Data Register. | |
| 4 | ISSUE "ENQUEUE PACKET NUMBER TO TX FIFO" - This command writes the number present in the Packet Number Register into the TX FIFO. The transmission is now enqueued. No further CPU intervention is needed until a transmit interrupt is generated. | |
| 5 | | The enqueued packet will be transferred to the MAC block as a function of TXENA (nTCR) bit and of the deferral process (1/2 duplex mode only) state. |
| 6 | | Transmit pages are released by transmit completion. |
| 7 | | The MAC generates a TXEMPTY interrupt upon a completion of a sequence of enqueued packets. If a TX failure occurs on any packets, TX INT is generated and TXENA is cleared, transmission sequence stops. The packet number of the failure packet is presented at the TX FIFO PORTS Register. |

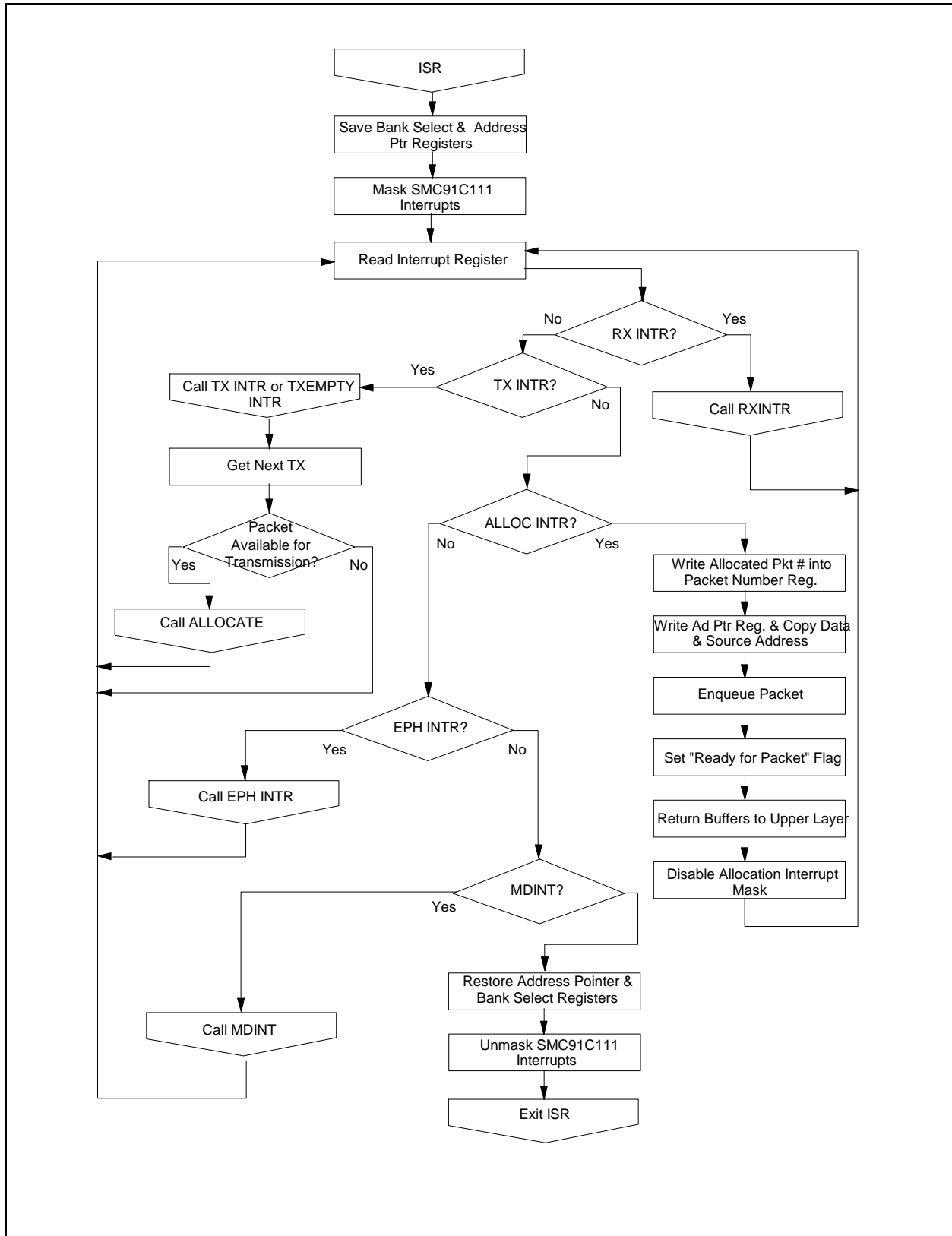
LAN91C111

| | S/W Driver | MAC Side |
|---|---|----------|
| 8 | SERVICE INTERRUPT – Read Interrupt Status Register, exit the interrupt service routine. Option 1) Release the packet. Option 2) Check the transmit status in the EPH STATUS Register, write the packet number of the current packet to the Packet Number Register, re-enable TXENA, then go to step 4 to start the TX sequence again. | |

10.4 Typical Flow of Event For Receive

| | S/W Driver | MAC Side |
|---|---|--|
| 1 | ENABLE RECEPTION - By setting the RXEN bit. | |
| 2 | | A packet is received with matching address. Memory is requested from MMU. A packet number is assigned to it. Additional memory is requested if more pages are needed. |
| 3 | | The internal DMA logic generates sequential addresses and writes the receive words into memory. The MMU does the sequential to physical address translation. If overrun, packet is dropped and memory is released. |
| 4 | | When the end of packet is detected, the status word is placed at the beginning of the receive packet in memory. Byte count is placed at the second word. If the CRC checks correctly the packet number is written into the RX FIFO. The RX FIFO, being not empty, causes RCV INT (interrupt) to be set. The RCV_BAD bit of the Bank 1 Control Register controls whether or not to generate interrupts when bad CRC packets are received. |
| 5 | SERVICE INTERRUPT - Read the Interrupt Status Register and determine if RCV INT is set. The next receive packet is at receive area. (Its packet number can be read from the FIFO Ports Register). The software driver can process the packet by accessing the RX area, and can move it out to system memory if desired. When processing is complete the CPU issues the REMOVE AND RELEASE FROM TOP OF RX command to have the MMU free up the used memory and packet number. | |

FIGURE 10-1: INTERRUPT SERVICE ROUTINE



LAN91C111

FIGURE 10-2: RX INTR

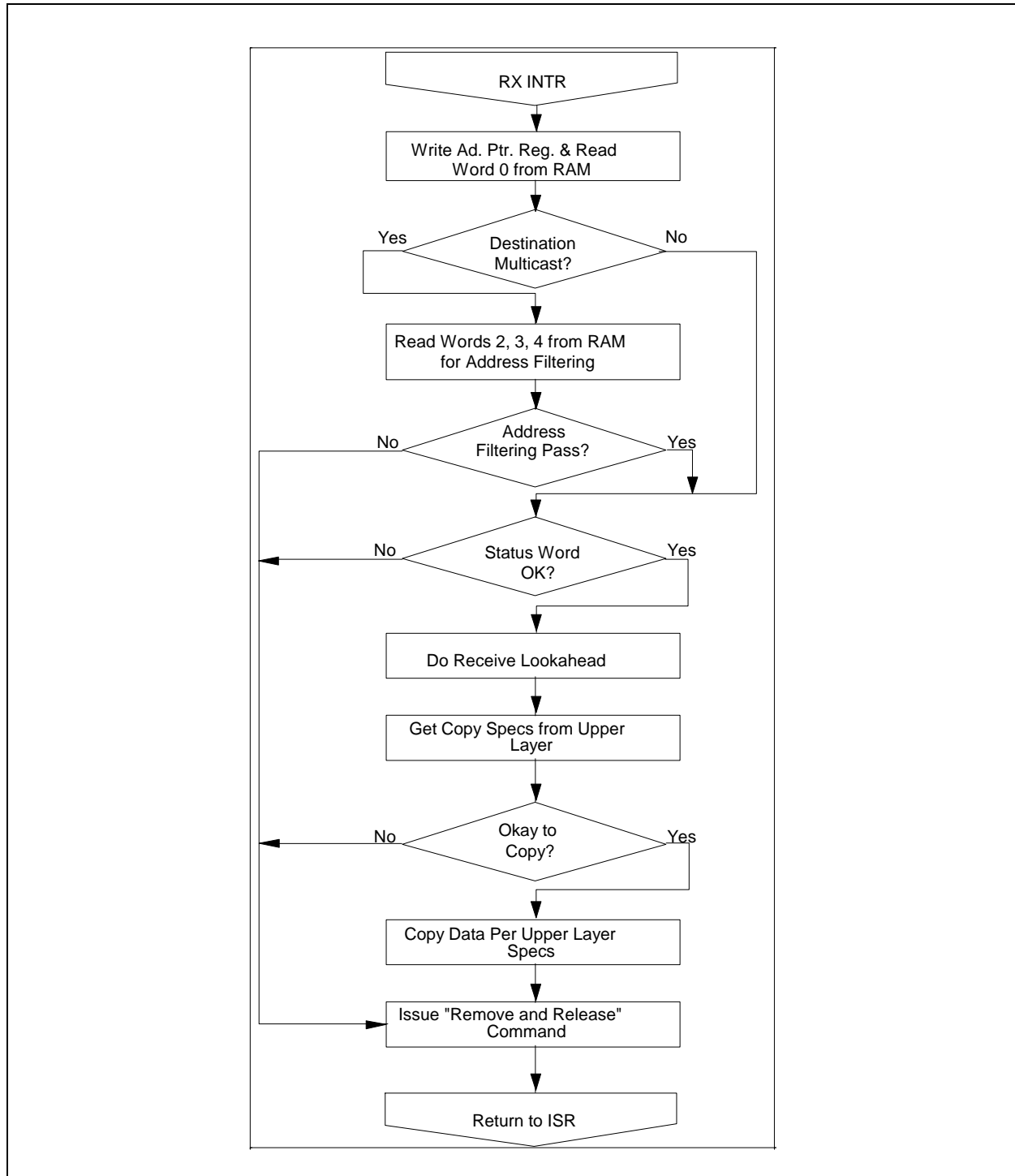
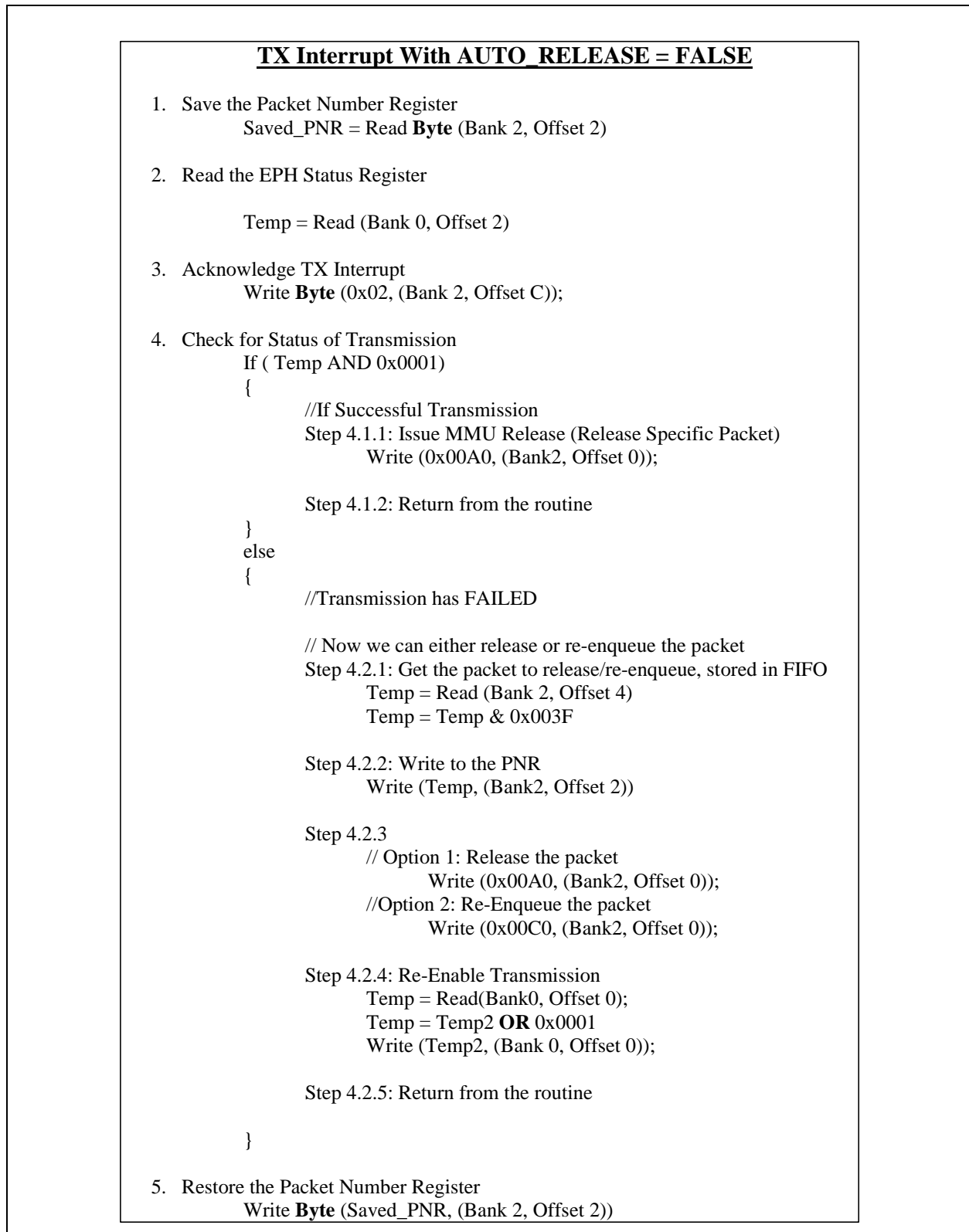


FIGURE 10-3: TX INTR



LAN91C111

FIGURE 10-4: TXEMPTY INTR (ASSUMES AUTO RELEASE OPTION SELECTED)

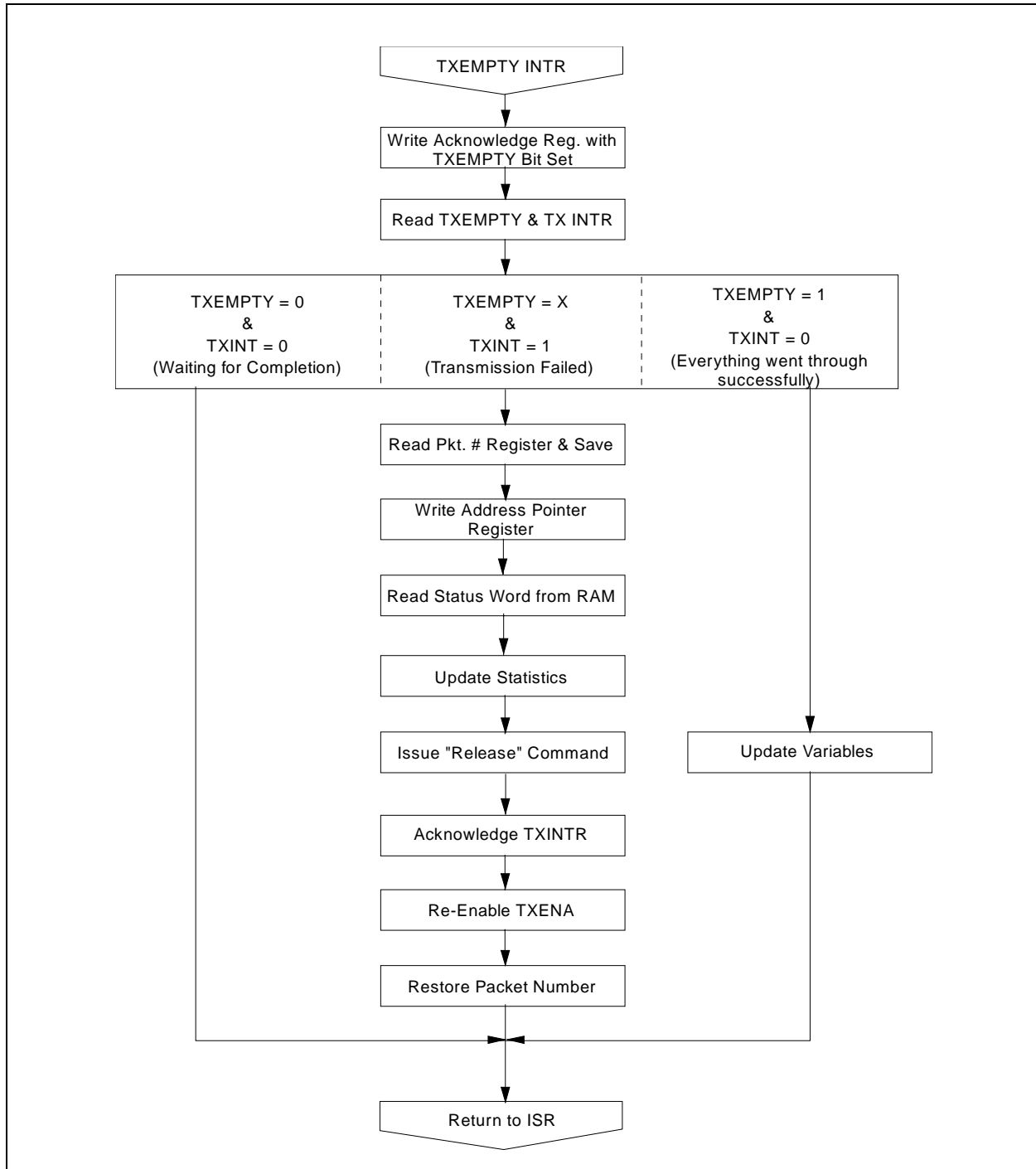
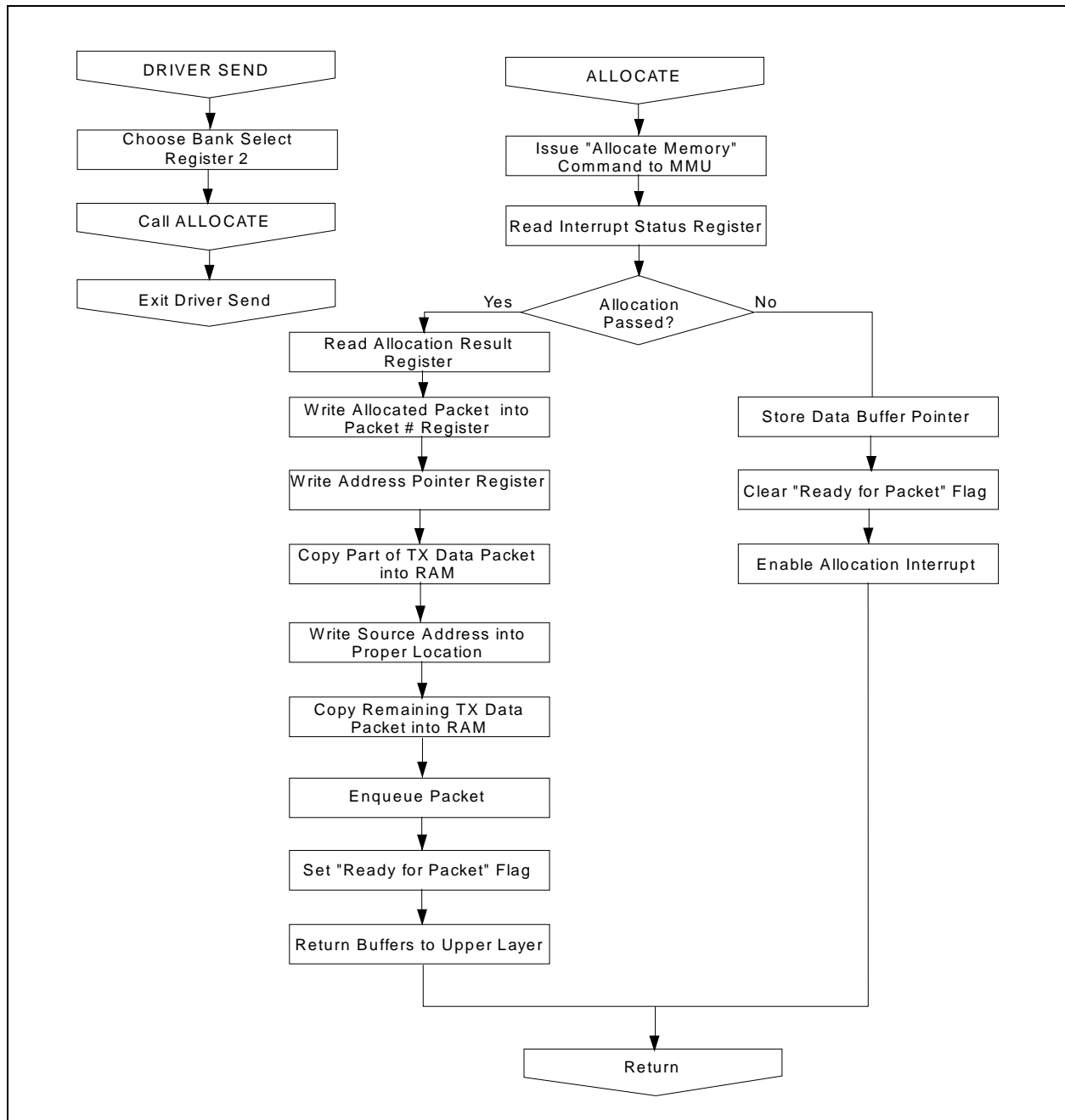


FIGURE 10-5: DRIVE SEND AND ALLOCATE ROUTINES



10.5 Memory Partitioning

Unlike other controllers, the LAN91C111 does not require a fixed memory partitioning between transmit and receive resources. The MMU allocates and de-allocates memory upon different events. An additional mechanism allows the CPU to prevent the receive process from starving the transmit memory allocation.

Memory is always requested by the side that needs to write into it, that is: the CPU for transmit or the MAC for receive. The CPU can control the number of bytes it requests for transmit but it cannot determine the number of bytes the receive process is going to demand. Furthermore, the receive process requests will be dependent on network traffic, in particular on the arrival of broadcast and multicast packets that might not be for the node, and that are not subject to upper layer software flow control.

LAN91C111

10.6 Interrupt Generation

The interrupt strategy for the transmit and receive processes is such that it does not represent the bottleneck in the transmit and receive queue management between the software driver and the controller. For that purpose there is no register reading necessary before the next element in the queue (namely transmit or receive packet) can be handled by the controller. The transmit and receive results are placed in memory.

The receive interrupt will be generated when the receive queue (FIFO of packets) is not empty and receive interrupts are enabled. This allows the interrupt service routine to process many receive packets without exiting, or one at a time if the ISR just returns after processing and removing one.

There are two types of transmit interrupt strategies:

1. One interrupt per packet.
2. One interrupt per sequence of packets.

The strategy is determined by how the transmit interrupt bits and the AUTO RELEASE bit are used.

TX INT bit - Set whenever the TX completion FIFO is not empty.

TX EMPTY INT bit - Set whenever the TX FIFO is empty.

AUTO RELEASE - When set, successful transmit packets are not written into completion FIFO, and their memory is released automatically.

1. One interrupt per packet: enable TX INT, set AUTO RELEASE=0. The software driver can find the completion result in memory and process the interrupt one packet at a time. Depending on the completion code the driver will take different actions. Note that the transmit process is working in parallel and other transmissions might be taking place. The LAN91C111 is virtually queuing the packet numbers and their status words.

In this case, the transmit interrupt service routine can find the next packet number to be serviced by reading the TX FIFO PACKET NUMBER at the FIFO PORTS register. This eliminates the need for the driver to keep a list of packet numbers being transmitted. The numbers are queued by the LAN91C111 and provided back to the CPU as their transmission completes.

2. One interrupt per sequence of packets: Enable TX EMPTY INT and TX INT, set AUTO RELEASE=1. TX EMPTY INT is generated only after transmitting the last packet in the FIFO.

TX INT will be set on a fatal transmit error allowing the CPU to know that the transmit process has stopped and therefore the FIFO will not be emptied.

This mode has the advantage of a smaller CPU overhead, and faster memory de-allocation. Note that when AUTO RELEASE=1 the CPU is not provided with the packet numbers that completed successfully.

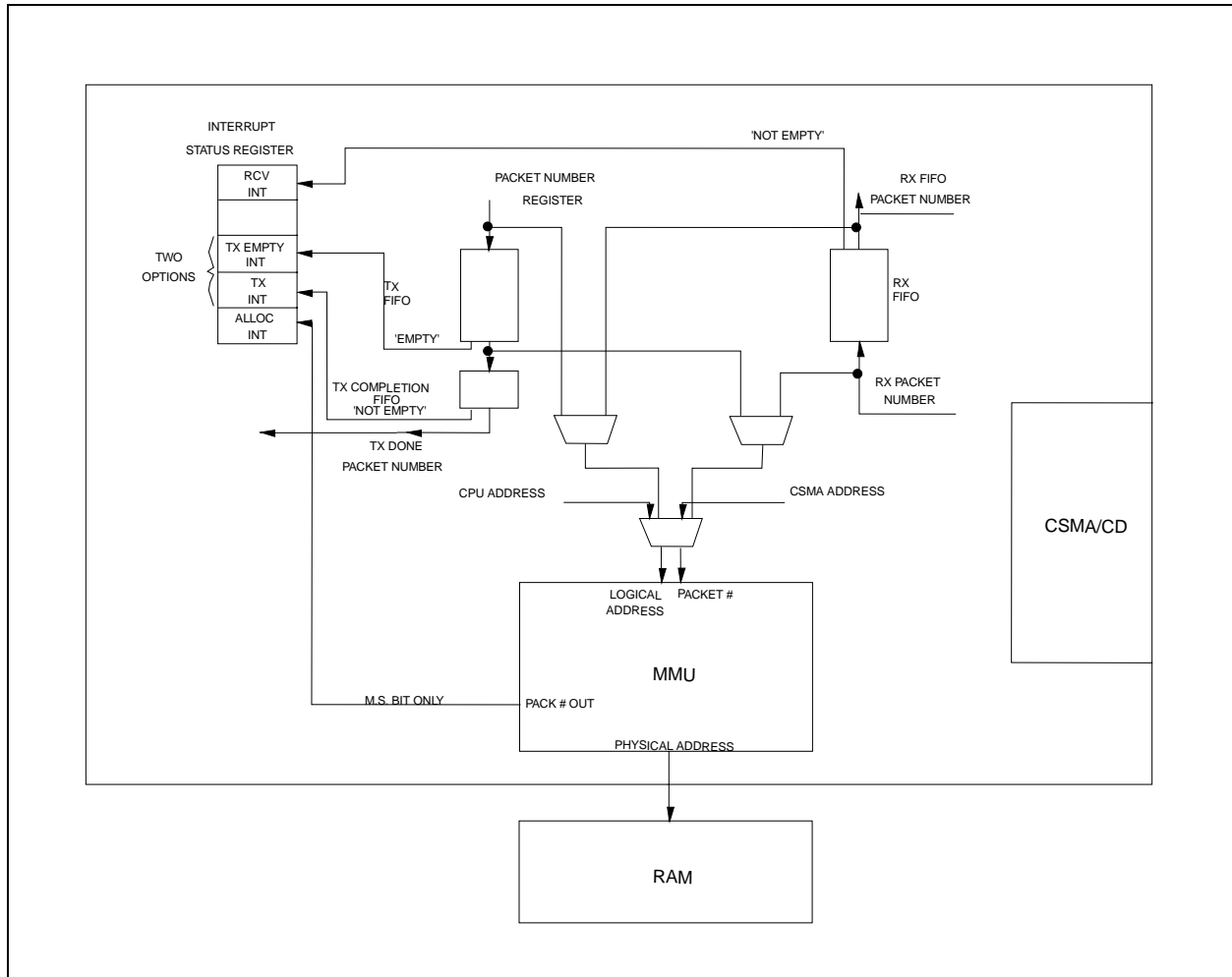
| |
|--|
| <p>Note: The pointer register is shared by any process accessing the LAN91C111 memory. In order to allow processes to be interruptible, the interrupting process is responsible for reading the pointer value before modifying it, saving it, and restoring it before returning from the interrupt.</p> |
|--|

Typically there would be three processes using the pointer:

1. Transmit loading (sometimes interrupt driven)
2. Receive unloading (interrupt driven)
3. Transmit Status reading (interrupt driven).

1) and 3) also share the usage of the Packet Number Register. Therefore saving and restoring the PNR is also required from interrupt service routines.

FIGURE 10-6: INTERRUPT GENERATION FOR TRANSMIT, RECEIVE, MMU



LAN91C111

11.0 BOARD SETUP INFORMATION

The following parameters are obtained from the EEPROM as board setup information:

- ETHERNET INDIVIDUAL ADDRESS
- I/O BASE ADDRESS
- MII INTERFACE

All the above mentioned values are read from the EEPROM upon hardware reset. Except for the INDIVIDUAL ADDRESS, the value of the IOS switches determines the offset within the EEPROM for these parameters, in such a way that many identical boards can be plugged into the same system by just changing the IOS jumpers.

In order to support a software utility based installation, even if the EEPROM was never programmed, the EEPROM can be written using the LAN91C111. One of the IOS combination is associated with a fixed default value for the key parameters (I/O BASE) that can always be used regardless of the EEPROM based value being programmed. This value will be used if all IOS pins are left open or pulled high.

The EEPROM is arranged as a 64 x 16 array. The specific target device is the 9346 1024-bit Serial EEPROM. All EEPROM accesses are done in words. All EEPROM addresses in the spec are specified as word addresses.

| Register | EEPROM Word Address |
|------------------------|---------------------|
| Configuration Register | IOS Value * 4 |
| Base Register | (IOS Value * 4) + 1 |

INDIVIDUAL ADDRESS 20-22 hex

If IOS2-IOS0 = 7, only the INDIVIDUAL ADDRESS is read from the EEPROM. Currently assigned values are assumed for the other registers. These values are default if the EEPROM read operation follows hardware reset.

The EEPROM SELECT bit is used to determine the type of EEPROM operation: a) normal or b) general purpose register.

1. NORMAL EEPROM OPERATION - EEPROM SELECT bit = 0

On EEPROM read operations (after reset or after setting RELOAD high) the CONFIGURATION REGISTER and BASE REGISTER are updated with the EEPROM values at locations defined by the IOS2-0 pins. The INDIVIDUAL ADDRESS registers are updated with the values stored in the INDIVIDUAL ADDRESS area of the EEPROM.

On EEPROM write operations (after setting the STORE bit) the values of the CONFIGURATION REGISTER and BASE REGISTER are written in the EEPROM locations defined by the IOS2-IOS0 pins.

The three least significant bits of the CONTROL REGISTER (EEPROM SELECT, RELOAD and STORE) are used to control the EEPROM. Their values are not stored nor loaded from the EEPROM.

2. GENERAL PURPOSE REGISTER - EEPROM SELECT bit = 1

On EEPROM read operations (after setting RELOAD high) the EEPROM word address defined by the POINTER REGISTER 6 least significant bits is read into the GENERAL PURPOSE REGISTER.

On EEPROM write operations (after setting the STORE bit) the value of the GENERAL PURPOSE REGISTER is written at the EEPROM word address defined by the POINTER REGISTER 6 least significant bits.

RELOAD and STORE are set by the user to initiate read and write operations respectively. Polling the value until read low is used to determine completion. When an EEPROM access is in progress the STORE and RELOAD bits of CTR will readback as both bits high. No other bits of the LAN91C111 can be read or written until the EEPROM operation completes and both bits are clear. This mechanism is also valid for reset initiated reloads.

Note: If no EEPROM is connected to the LAN91C111, for example for some embedded applications, the ENEEP pin should be grounded and no accesses to the EEPROM will be attempted. Configuration, Base, and Individual Address assume their default values upon hardware reset and the CPU is responsible for programming them for their final value.

FIGURE 11-1: 64 X 16 SERIAL EEPROM MAP

| IOS2-0 | WORD ADDRESS | 16 BITS | |
|--------|--------------|--------------------|-----------|
| | | Configuration | Base |
| 000 | 0h | CONFIGURATION REG. | |
| | 1h | | BASE REG. |
| 001 | 4h | CONFIGURATION REG. | |
| | 5h | | BASE REG. |
| 010 | 8h | CONFIGURATION REG. | |
| | 9h | | BASE REG. |
| 011 | Ch | CONFIGURATION REG. | |
| | Dh | | BASE REG. |
| 100 | 10h | CONFIGURATION REG. | |
| | 11h | | BASE REG. |
| 101 | 14h | CONFIGURATION REG. | |
| | 15h | | BASE REG. |
| 110 | 18h | CONFIGURATION REG. | |
| | 19h | | BASE REG. |
| XXX | 20h | | IA0-1 |
| | 21h | | IA2-3 |
| | 22h | | IA4-5 |

LAN91C111

12.0 APPLICATION CONSIDERATIONS

The LAN91C111 is envisioned to fit a few different bus types. This section describes the basic guidelines, system level implications and sample configurations for the most relevant bus types. All applications are based on buffered architectures with a private SRAM bus.

12.1 Fast Ethernet Slave Adapter

Slave non-intelligent board implementing 100 Mbps and 10 Mbps speeds.

Adapter requires:

1. LAN91C111 chip
2. Serial EEPROM (93C46)
3. Some bus specific glue logic

Target systems:

1. VL Local Bus 32 bit systems
2. High-end ISA or non-burst EISA machines
3. EISA 32 bit slave

12.2 VL Local Bus 32 Bit Systems

On VL Local Bus and other 32 bit embedded systems the LAN91C111 is accessed as a 32 bit peripheral in terms of the bus interface. All registers except the DATA REGISTER will be accessed using byte or word instructions. Accesses to the DATA REGISTER could use byte, word, or dword instructions.

TABLE 12-1: VL LOCAL BUS SIGNAL CONNECTIONS

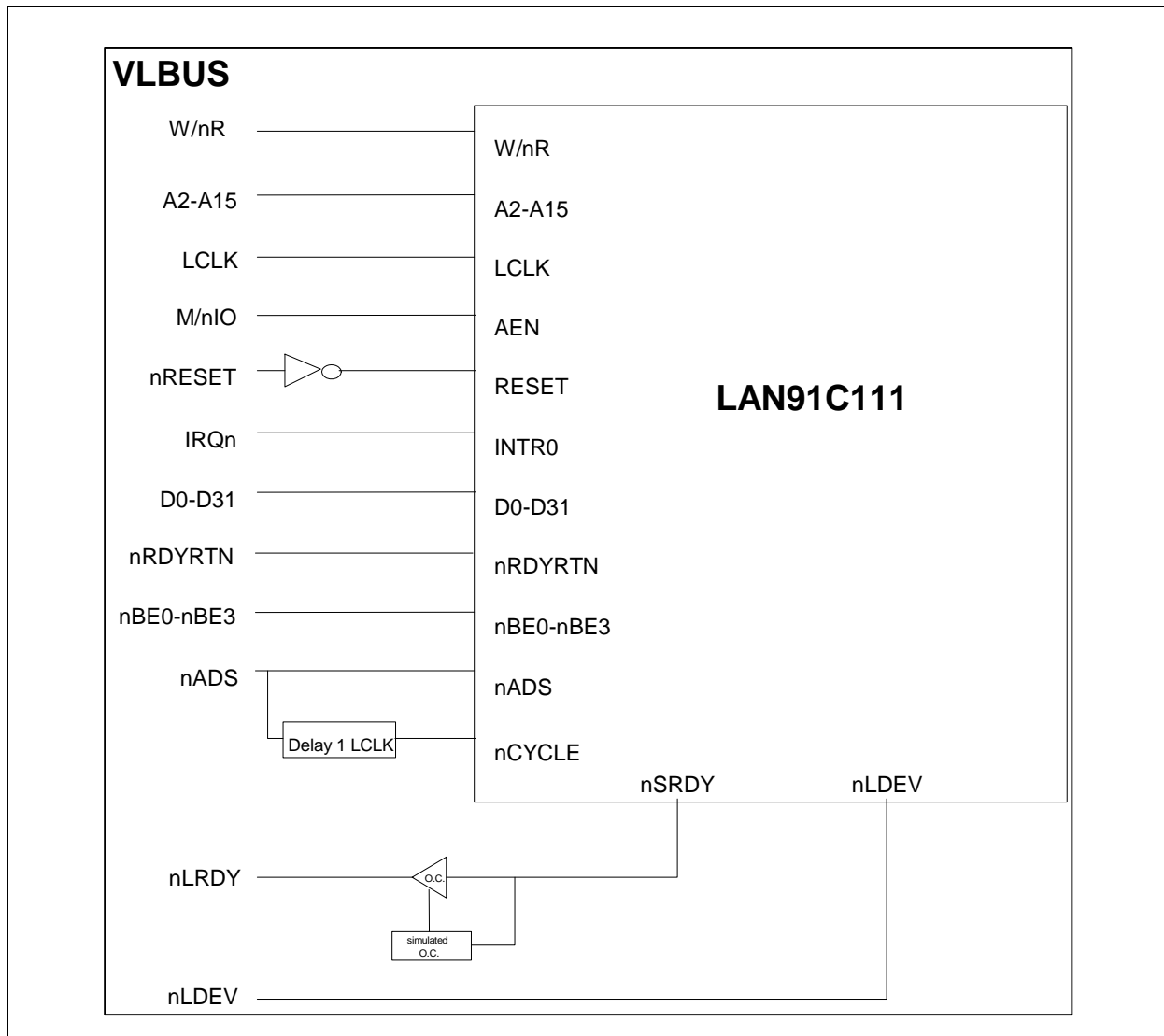
| VL Bus Signal | LAN91C111 Signal | Notes |
|------------------------|------------------------|---|
| A2-A15 | A2-A15 | Address bus used for I/O space and register decoding, latched by nADS rising edge, and transparent on nADS low time. |
| M/nIO | AEN | Qualifies valid I/O decoding - enabled access when low. This signal is latched by nADS rising edge and transparent on nADS low time. |
| W/nR | W/nR | Direction of access. Sampled by the LAN91C111 on first rising clock that has nCYCLE active. High on writes, low on reads. |
| nRDYRTN | nRDYRTN | Ready return. Direct connection to VL bus. |
| nLRDY | nSRDY and some logic | nSRDY has the appropriate functionality and timing to create the VL nLRDY except that nLRDY behaves like an open drain output most of the time. |
| LCLK | LCLK | Local Bus Clock. Rising edges used for synchronous bus interface transactions. |
| nRESET | RESET | Connected via inverter to the LAN91C111. |
| nBE0 nBE1 nBE2 nBE3 | nBE0 nBE1 nBE2 nBE3 | Byte enables. Latched transparently by nADS rising edge. |
| nADS | nADS, nCYCLE | Address Strobe is connected directly to the VL bus. nCYCLE is created typically by using nADS delayed by one LCLK. |
| IRQn | INTR0 | Typically uses the interrupt lines on the ISA edge connector of VL bus |

TABLE 12-1: VL LOCAL BUS SIGNAL CONNECTIONS (CONTINUED)

| VL Bus Signal | LAN91C111 Signal | Notes | | | | | | | | | | | | | | | | | | | | | | | | | | | | | | | | | | | | | | | | |
|--------------------|------------------|---|------|--------------------|------|------|--|---|---|---|---|--------------------|---|---|---|---|-----------------|---|---|---|---|------------------|---|---|---|---|---------------|---|---|---|---|---------------|---|---|---|---|---------------|---|---|---|---|---------------|
| D0-D31 | D0-D31 | <p>32 bit data bus. The bus byte(s) used to access the device are a function of nBE0-nBE3:</p> <table border="1"> <thead> <tr> <th>nBE0</th> <th>nBE1</th> <th>nBE2</th> <th>nBE3</th> <th></th> </tr> </thead> <tbody> <tr> <td>0</td> <td>0</td> <td>0</td> <td>0</td> <td>Double word access</td> </tr> <tr> <td>0</td> <td>0</td> <td>1</td> <td>1</td> <td>Low word access</td> </tr> <tr> <td>1</td> <td>1</td> <td>0</td> <td>0</td> <td>High word access</td> </tr> <tr> <td>0</td> <td>1</td> <td>1</td> <td>1</td> <td>Byte 0 access</td> </tr> <tr> <td>1</td> <td>0</td> <td>1</td> <td>1</td> <td>Byte 1 access</td> </tr> <tr> <td>1</td> <td>1</td> <td>0</td> <td>1</td> <td>Byte 2 access</td> </tr> <tr> <td>1</td> <td>1</td> <td>1</td> <td>0</td> <td>Byte 3 access</td> </tr> </tbody> </table> <p>Not used = tri-state on reads, ignored on writes. Note that nBE2 and nBE3 override the value of A1, which is tied low in this application.</p> | nBE0 | nBE1 | nBE2 | nBE3 | | 0 | 0 | 0 | 0 | Double word access | 0 | 0 | 1 | 1 | Low word access | 1 | 1 | 0 | 0 | High word access | 0 | 1 | 1 | 1 | Byte 0 access | 1 | 0 | 1 | 1 | Byte 1 access | 1 | 1 | 0 | 1 | Byte 2 access | 1 | 1 | 1 | 0 | Byte 3 access |
| nBE0 | nBE1 | nBE2 | nBE3 | | | | | | | | | | | | | | | | | | | | | | | | | | | | | | | | | | | | | | | |
| 0 | 0 | 0 | 0 | Double word access | | | | | | | | | | | | | | | | | | | | | | | | | | | | | | | | | | | | | | |
| 0 | 0 | 1 | 1 | Low word access | | | | | | | | | | | | | | | | | | | | | | | | | | | | | | | | | | | | | | |
| 1 | 1 | 0 | 0 | High word access | | | | | | | | | | | | | | | | | | | | | | | | | | | | | | | | | | | | | | |
| 0 | 1 | 1 | 1 | Byte 0 access | | | | | | | | | | | | | | | | | | | | | | | | | | | | | | | | | | | | | | |
| 1 | 0 | 1 | 1 | Byte 1 access | | | | | | | | | | | | | | | | | | | | | | | | | | | | | | | | | | | | | | |
| 1 | 1 | 0 | 1 | Byte 2 access | | | | | | | | | | | | | | | | | | | | | | | | | | | | | | | | | | | | | | |
| 1 | 1 | 1 | 0 | Byte 3 access | | | | | | | | | | | | | | | | | | | | | | | | | | | | | | | | | | | | | | |
| nLDEV | nLDEV | nLDEV is a totem pole output. nLDEV is active on valid decodes of A15-A4 and AEN=0. | | | | | | | | | | | | | | | | | | | | | | | | | | | | | | | | | | | | | | | | |
| Unused Pins | | | | | | | | | | | | | | | | | | | | | | | | | | | | | | | | | | | | | | | | | | |
| VCC | nRD nWR | | | | | | | | | | | | | | | | | | | | | | | | | | | | | | | | | | | | | | | | | |
| GND | A1 nVLBUS | | | | | | | | | | | | | | | | | | | | | | | | | | | | | | | | | | | | | | | | | |
| OPEN | nDATCS | | | | | | | | | | | | | | | | | | | | | | | | | | | | | | | | | | | | | | | | | |

LAN91C111

FIGURE 12-1: LAN91C111 ON VL BUS



12.3 High-End ISA or Non-Burst EISA Machines

On ISA machines, the LAN91C111 is accessed as a 16 bit peripheral. The signal connections are listed in the following table:

TABLE 12-2: HIGH-END ISA OR NON-BURST EISA MACHINES SIGNAL CONNECTORS

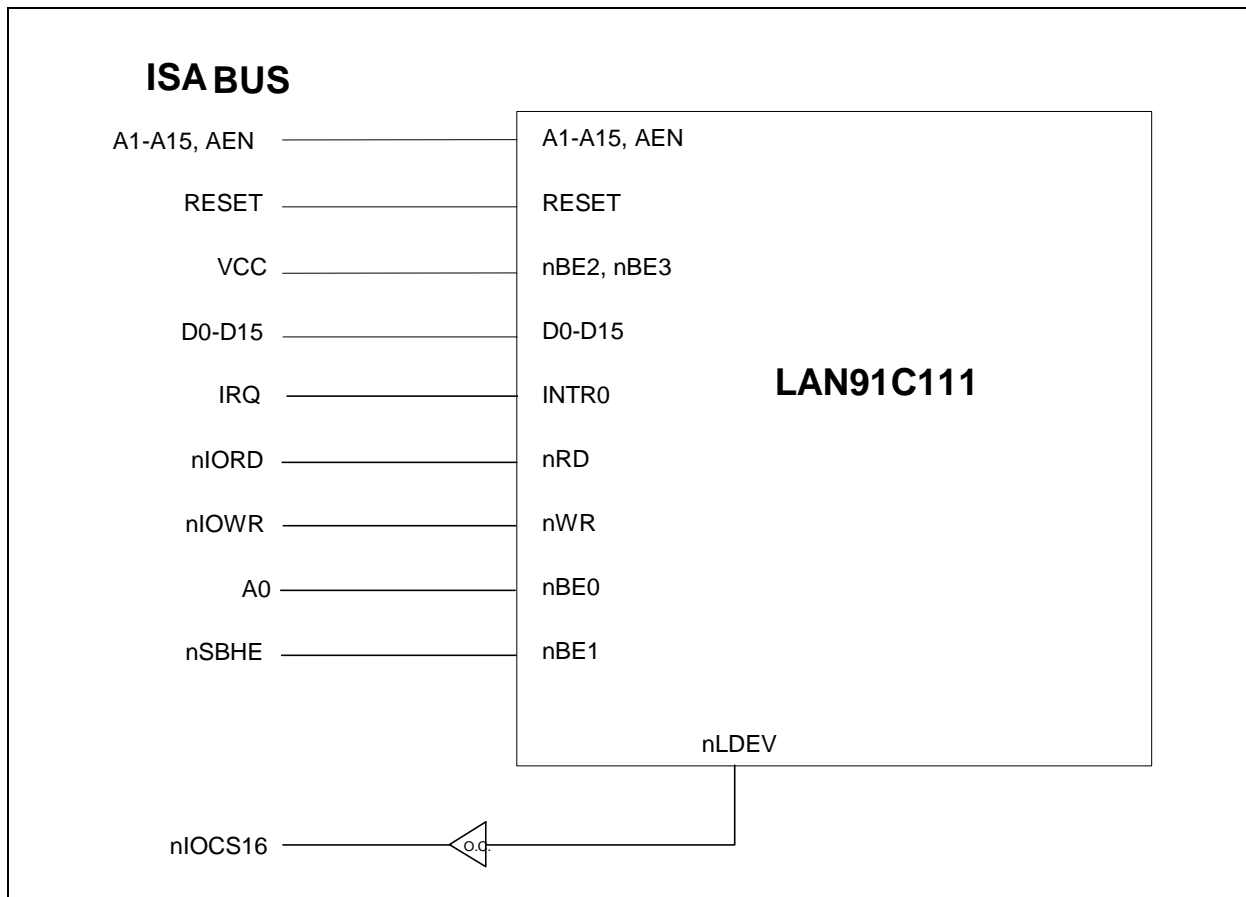
| ISA Bus Signal | LAN91C111 Signal | Notes |
|----------------|------------------|---|
| A1-A15 | A1-A15 | Address bus used for I/O space and register decoding. |
| AEN | AEN | Qualifies valid I/O decoding - enabled access when low. |
| nIORD | nRD | I/O Read strobe - asynchronous read accesses. Address is valid before leading edge. |

**TABLE 12-2: HIGH-END ISA OR NON-BURST EISA MACHINES SIGNAL CONNECTORS
(CONTINUED)**

| ISA Bus Signal | LAN91C111 Signal | Notes | | | | | | | | | | | | | | | | |
|----------------|---|--|---------------|-------------|--------------|---------------|---|---|-------|-------|---|---|-------|----------|---|---|----------|-------|
| nIOWR | nWR | I/O Write strobe - asynchronous write access. Address is valid before leading edge. Data is latched on trailing edge. | | | | | | | | | | | | | | | | |
| IOCHRDY | ARDY | This signal is negated on leading nRD, nWR if necessary. It is then asserted on CLK rising edge after the access condition is satisfied. | | | | | | | | | | | | | | | | |
| RESET | RESET | | | | | | | | | | | | | | | | | |
| A0 | nBE0 | | | | | | | | | | | | | | | | | |
| nSBHE | nBE1 | | | | | | | | | | | | | | | | | |
| IRQn | INTR0 | | | | | | | | | | | | | | | | | |
| D0-D15 | D0-D15 | <p>16 bit data bus. The bus byte(s) used to access the device are a function of nBE0 and nBE1:</p> <table border="1" style="margin-left: auto; margin-right: auto;"> <thead> <tr> <th><u>nBE0</u></th> <th><u>nBE1</u></th> <th><u>D0-D7</u></th> <th><u>D8-D15</u></th> </tr> </thead> <tbody> <tr> <td>0</td> <td>0</td> <td>Lower</td> <td>Upper</td> </tr> <tr> <td>0</td> <td>1</td> <td>Lower</td> <td>Not used</td> </tr> <tr> <td>1</td> <td>0</td> <td>Not used</td> <td>Upper</td> </tr> </tbody> </table> <p>Not used = tri-state on reads, ignored on writes</p> | <u>nBE0</u> | <u>nBE1</u> | <u>D0-D7</u> | <u>D8-D15</u> | 0 | 0 | Lower | Upper | 0 | 1 | Lower | Not used | 1 | 0 | Not used | Upper |
| <u>nBE0</u> | <u>nBE1</u> | <u>D0-D7</u> | <u>D8-D15</u> | | | | | | | | | | | | | | | |
| 0 | 0 | Lower | Upper | | | | | | | | | | | | | | | |
| 0 | 1 | Lower | Not used | | | | | | | | | | | | | | | |
| 1 | 0 | Not used | Upper | | | | | | | | | | | | | | | |
| nIOCS16 | nLDEV buffered | nLDEV is a totem pole output. Must be buffered using an open collector driver. nLDEV is active on valid decodes of A15-A4 and AEN=0. | | | | | | | | | | | | | | | | |
| UNUSED PINS | | | | | | | | | | | | | | | | | | |
| GND | nADS | | | | | | | | | | | | | | | | | |
| VCC | nBE2, nBE3, nCYCLE, W/nR, nRDYRTN, LCLK | No upper word access. | | | | | | | | | | | | | | | | |

LAN91C111

FIGURE 12-2: LAN91C111 ON ISA BUS



12.4 EISA 32 Bit Slave

On EISA the LAN91C111 is accessed as a 32 bit I/O slave, along with a Slave DMA type "C" data path option. As an I/O slave, the LAN91C111 uses asynchronous accesses. In creating nRD and nWR inputs, the timing information is externally derived from nCMD edges. Given that the access will be at least 1.5 to 2 clocks (more than 180ns at least) there is no need to negate EXRDY, simplifying the EISA interface implementation. As a DMA Slave, the LAN91C111 accepts burst transfers and is able to sustain the peak rate of one doubleword every BCLK. Doubleword alignment is assumed for DMA transfers. The LAN91C111 will sample EXRDY and postpone DMA cycles if the memory cycle solicits wait states.

TABLE 12-3: EISA 32 BIT SLAVE SIGNAL CONNECTIONS

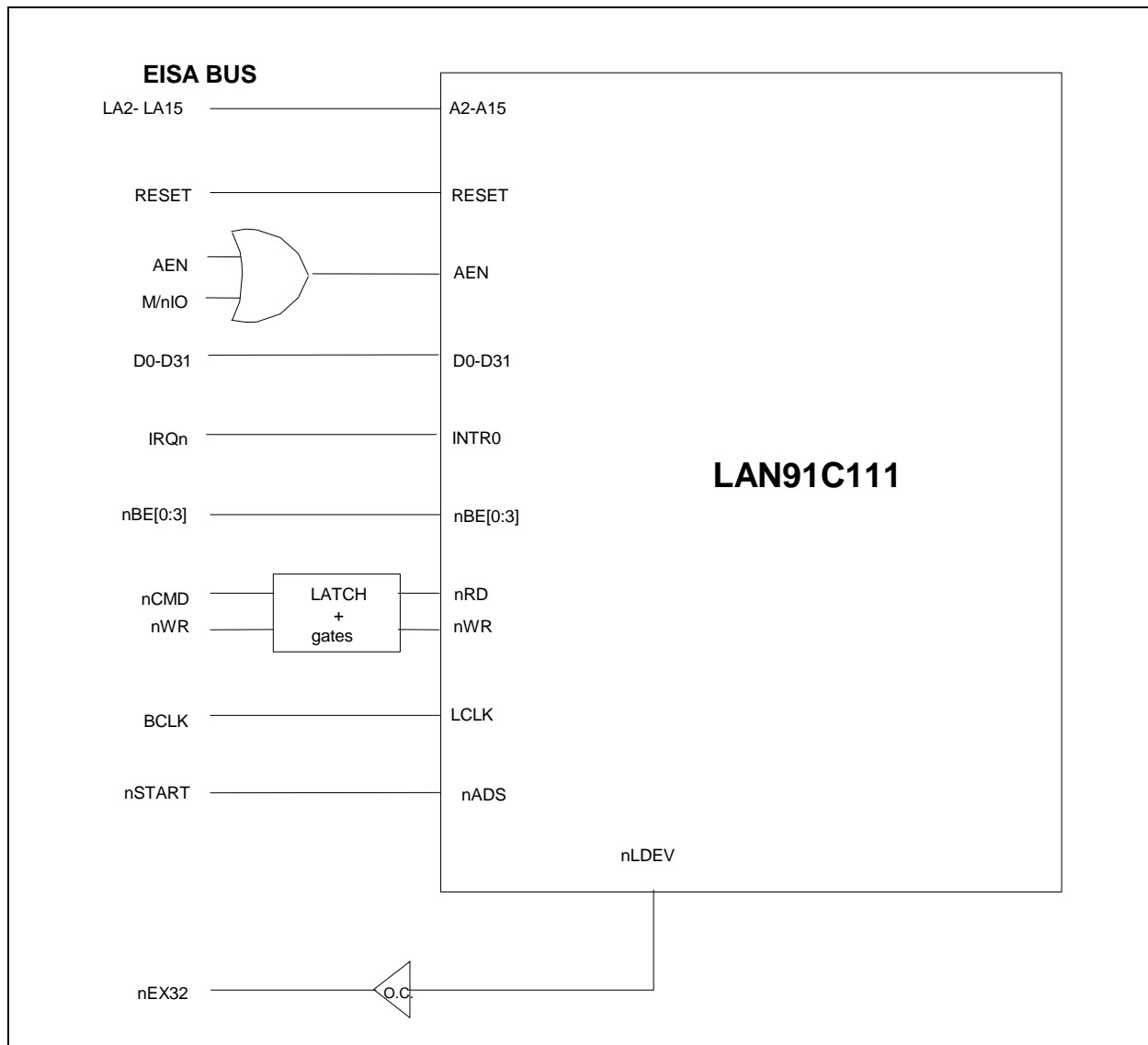
| EISA Bus Signal | LAN91C111 Signal | Notes |
|--------------------------------------|------------------|---|
| LA2-LA15 | A2-A15 | Address bus used for I/O space and register decoding, latched by nADS (nSTART) trailing edge. |
| M/nIO AEN | AEN | Qualifies valid I/O decoding - enabled access when low. These signals are externally ORed. Internally the AEN pin is latched by nADS rising edge and transparent while nADS is low. |
| Latched W-R combined with nCMD | nRD | I/O Read strobe - asynchronous read accesses. Address is valid before its leading edge. Must not be active during DMA bursts if DMA is supported. |

TABLE 12-3: EISA 32 BIT SLAVE SIGNAL CONNECTIONS (CONTINUED)

| EISA Bus Signal | LAN91C111 Signal | Notes | | | | | | | | | | | | | | | | | | | | | | | | | | | | | | | | | | | | | | | | |
|--|----------------------|---|------|--------------------|------|------|--|---|---|---|---|--------------------|---|---|---|---|-----------------|---|---|---|---|------------------|---|---|---|---|---------------|---|---|---|---|---------------|---|---|---|---|---------------|---|---|---|---|---------------|
| Latched W-R combined with nCMD | nWR | I/O Write strobe - asynchronous write access. Address is valid before leading edge . Data latched on trailing edge. Must not be active during DMA bursts if DMA is supported. | | | | | | | | | | | | | | | | | | | | | | | | | | | | | | | | | | | | | | | | |
| nSTART | nADS | Address strobe is connected to EISA nSTART. | | | | | | | | | | | | | | | | | | | | | | | | | | | | | | | | | | | | | | | | |
| RESDRV | RESET | | | | | | | | | | | | | | | | | | | | | | | | | | | | | | | | | | | | | | | | | |
| nBE0 nBE1 nBE2 nBE3 | nBE0 n BE1 nBE2 nBE3 | Byte enables. Latched on nADS rising edge. | | | | | | | | | | | | | | | | | | | | | | | | | | | | | | | | | | | | | | | | |
| IRQn | INTR0 | Interrupts used as active high edge triggered | | | | | | | | | | | | | | | | | | | | | | | | | | | | | | | | | | | | | | | | |
| D0-D31 | D0-D31 | <p>32 bit data bus. The bus byte(s) used to access the device are a function of nBE0-nBE3:</p> <table border="1" style="margin-left: auto; margin-right: auto;"> <thead> <tr> <th>nBE0</th> <th>nBE1</th> <th>nBE2</th> <th>nBE3</th> <th></th> </tr> </thead> <tbody> <tr> <td>0</td> <td>0</td> <td>0</td> <td>0</td> <td>Double word access</td> </tr> <tr> <td>0</td> <td>0</td> <td>1</td> <td>1</td> <td>Low word access</td> </tr> <tr> <td>1</td> <td>1</td> <td>0</td> <td>0</td> <td>High word access</td> </tr> <tr> <td>0</td> <td>1</td> <td>1</td> <td>1</td> <td>Byte 0 access</td> </tr> <tr> <td>1</td> <td>0</td> <td>1</td> <td>1</td> <td>Byte 1 access</td> </tr> <tr> <td>1</td> <td>1</td> <td>0</td> <td>1</td> <td>Byte 2 access</td> </tr> <tr> <td>1</td> <td>1</td> <td>1</td> <td>0</td> <td>Byte 3 access</td> </tr> </tbody> </table> <p>Not used = tri-state on reads, ignored on writes. Note that nBE2 and nBE3 override the value of A1, which is tied low in this application. Other combinations of nBE are not supported by the LAN91C111. Software drivers are not anticipated to generate them.</p> | nBE0 | nBE1 | nBE2 | nBE3 | | 0 | 0 | 0 | 0 | Double word access | 0 | 0 | 1 | 1 | Low word access | 1 | 1 | 0 | 0 | High word access | 0 | 1 | 1 | 1 | Byte 0 access | 1 | 0 | 1 | 1 | Byte 1 access | 1 | 1 | 0 | 1 | Byte 2 access | 1 | 1 | 1 | 0 | Byte 3 access |
| nBE0 | nBE1 | nBE2 | nBE3 | | | | | | | | | | | | | | | | | | | | | | | | | | | | | | | | | | | | | | | |
| 0 | 0 | 0 | 0 | Double word access | | | | | | | | | | | | | | | | | | | | | | | | | | | | | | | | | | | | | | |
| 0 | 0 | 1 | 1 | Low word access | | | | | | | | | | | | | | | | | | | | | | | | | | | | | | | | | | | | | | |
| 1 | 1 | 0 | 0 | High word access | | | | | | | | | | | | | | | | | | | | | | | | | | | | | | | | | | | | | | |
| 0 | 1 | 1 | 1 | Byte 0 access | | | | | | | | | | | | | | | | | | | | | | | | | | | | | | | | | | | | | | |
| 1 | 0 | 1 | 1 | Byte 1 access | | | | | | | | | | | | | | | | | | | | | | | | | | | | | | | | | | | | | | |
| 1 | 1 | 0 | 1 | Byte 2 access | | | | | | | | | | | | | | | | | | | | | | | | | | | | | | | | | | | | | | |
| 1 | 1 | 1 | 0 | Byte 3 access | | | | | | | | | | | | | | | | | | | | | | | | | | | | | | | | | | | | | | |
| nEX32 nNOWS (optional additional logic) | nLDEV | nLDEV is a totem pole output. nLDEV is active on valid decodes of LAN91C111 pins A15-A4, and AEN=0. nNOWS is similar to nLDEV except that it should go inactive on nSTART rising. nNOWS can be used to request compressed cycles (1.5 BCLK long, nRD/nWR will be 1/2 BCLK wide). | | | | | | | | | | | | | | | | | | | | | | | | | | | | | | | | | | | | | | | | |
| THE FOLLOWING SIGNALS SUPPORT SLAVE DMA TYPE "C" BURST CYCLES | | | | | | | | | | | | | | | | | | | | | | | | | | | | | | | | | | | | | | | | | | |
| BCLK | LCLK | EISA Bus Clock. Data transfer clock for DMA bursts. | | | | | | | | | | | | | | | | | | | | | | | | | | | | | | | | | | | | | | | | |
| nDAK<n> | nDATACS | DMA Acknowledge. Active during Slave DMA cycles. Used by the LAN91C111 as nDATACS direct access to data path. | | | | | | | | | | | | | | | | | | | | | | | | | | | | | | | | | | | | | | | | |
| nIORC | W/nR | Indicates the direction and timing of the DMA cycles. High during LAN91C111 writes, low during LAN91C111 reads. | | | | | | | | | | | | | | | | | | | | | | | | | | | | | | | | | | | | | | | | |
| nIOWC | nCYCLE | Indicates slave DMA writes. | | | | | | | | | | | | | | | | | | | | | | | | | | | | | | | | | | | | | | | | |
| nEXRDY | nRDYRTN | EISA bus signal indicating whether a slave DMA cycle will take place on the next BCLK rising edge, or should be postponed. nRDYRTN is used as an input in the slave DMA mode to bring in EXRDY. | | | | | | | | | | | | | | | | | | | | | | | | | | | | | | | | | | | | | | | | |
| UNUSED PINS | | | | | | | | | | | | | | | | | | | | | | | | | | | | | | | | | | | | | | | | | | |
| VCC | nVLBUS | | | | | | | | | | | | | | | | | | | | | | | | | | | | | | | | | | | | | | | | | |
| GND | A1 | | | | | | | | | | | | | | | | | | | | | | | | | | | | | | | | | | | | | | | | | |

LAN91C111

FIGURE 12-3: LAN91C111 ON EISA BUS



13.0 OPERATIONAL DESCRIPTION

13.1 Maximum Ratings*

| | |
|---|---|
| Operating Temperature Range | 0°C to +70°C for LAN91C111 (-40°C to 85°C for LAN91C111I) |
| Storage Temperature Range | -55°C to + 150°C |
| Lead Temperature Range (soldering, 10 seconds) | +325°C |
| Positive Voltage on any pin, with respect to Ground | $V_{CC} + 0.3V$ |
| Negative Voltage on any pin, with respect to Ground | -0.3V |
| Maximum V_{CC} | +5V |

*Stresses above those listed above could cause permanent damage to the device. This is a stress rating only and functional operation of the device at any other condition above those indicated in the operation sections of this specification is not implied.

Note: When powering this device from laboratory or system power supplies, it is important that the Absolute Maximum Ratings not be exceeded or device failure can result. Some power supplies exhibit voltage spikes on their outputs when the AC power is switched on or off. In addition, voltage transients on the AC power line may appear on the DC output. If this possibility exists, it is suggested that a clamp circuit be used.

13.2 DC Electrical Characteristics

($V_{CC} = +3.3.0 V \pm 10\%$)

| Parameter | Symbol | MIN | TYP | MAX | Unit | Comments |
|--|------------|-----|-----|-----|------|-------------------|
| I Type Input Buffer | | | | | | |
| Low Input Level | V_{ILI} | | | 0.8 | V | TTL Levels |
| High Input Level | V_{IHI} | 2.0 | | | V | |
| IS Type Input Buffer | | | | | | |
| Low Input Level | V_{ILIS} | | | 0.8 | V | Schmitt Trigger |
| High Input Level | V_{IHIS} | 2.2 | | | V | Schmitt Trigger |
| Schmitt Trigger Hysteresis | V_{HYS} | | 250 | | mV | |
| I _{CLK} Input Buffer | | | | | | |
| Low Input Level | V_{ILCK} | | | 0.8 | V | |
| High Input Level | V_{IHCK} | 2.2 | | | V | |
| Input Leakage (All I and IS buffers except pins with pullups/pulldowns) | | | | | | |
| Low Input Leakage | I_{IL} | -10 | | +10 | μA | $V_{IN} = 0$ |
| High Input Leakage | I_{IH} | -10 | | +10 | μA | $V_{IN} = V_{CC}$ |

LAN91C111

| Parameter | Symbol | MIN | TYP | MAX | Unit | Comments |
|---------------------------------------|----------|------|-----|------|---------------|---------------------------------|
| IP Type Buffers Input Current | I_{IL} | -110 | -45 | | μA | $V_{IN} = 0$ |
| ID Type Buffers Input Current | I_{IH} | | +45 | +110 | μA | $V_{IN} = V_{CC}$ |
| O4 Type Buffer Low Output Level | V_{OL} | | | 0.4 | V | $I_{OL} = 6 \text{ mA}$ |
| High Output Level | V_{OH} | 2.4 | | | V | $I_{OH} = -4 \text{ mA}$ |
| Output Leakage | I_{OL} | -10 | | +10 | μA | $V_{IN} = 0 \text{ to } V_{CC}$ |
| I/O4 Type Buffer Low Output Level | V_{OL} | | | 0.4 | V | $I_{OL} = 6 \text{ mA}$ |
| High Output Level | V_{OH} | 2.4 | | | V | $I_{OH} = -4 \text{ mA}$ |
| Output Leakage | I_{OL} | -10 | | +10 | μA | $V_{IN} = 0 \text{ to } V_{CC}$ |
| O12 Type Buffer Low Output Level | V_{OL} | | | 0.4 | V | $I_{OL} = 20 \text{ mA}$ |
| High Output Level | V_{OH} | 2.4 | | | V | $I_{OH} = -10 \text{ mA}$ |
| Output Leakage | I_{OL} | -10 | | +10 | μA | $V_{IN} = 0 \text{ to } V_{CC}$ |
| O16 Type Buffer Low Output Level | V_{OL} | | | 0.4 | V | $I_{OL} = 35 \text{ mA}$ |
| High Output Level | V_{OH} | 2.4 | | | V | $I_{OH} = -15 \text{ mA}$ |
| Output Leakage | I_{OL} | -10 | | +10 | μA | $V_{IN} = 0 \text{ to } V_{CC}$ |
| O24 Type Buffer Low Output Level | V_{OL} | | | 0.4 | V | $I_{OL} = 35 \text{ mA}$ |
| High Output Level | V_{OH} | 2.4 | | | V | $I_{OH} = -15 \text{ mA}$ |
| Output Leakage | I_{OL} | -10 | | +10 | μA | $V_{IN} = 0 \text{ to } V_{CC}$ |
| I/O24 Type Buffer Low Output Level | V_{OL} | | | 0.4 | V | $I_{OL} = 35 \text{ mA}$ |
| High Output Level | V_{OH} | 2.4 | | | V | $I_{OH} = -15 \text{ mA}$ |
| Output Leakage | I_{OL} | -10 | | +10 | μA | $V_{IN} = 0 \text{ to } V_{CC}$ |
| I/OD Type Buffer Low Output Level | V_{OL} | | | 0.4 | V | $I_{OL} = 4 \text{ mA}$ |
| High Output Level | V_{OH} | 2.4 | | | V | na |
| Output Leakage | I_{OL} | -10 | | +10 | μA | $V_{IN} = 0 \text{ to } V_{CC}$ |

LAN91C111

| Parameter | Symbol | MIN | TYP | MAX | Unit | Comments |
|--------------------------|----------|-----|-----|-----|------|--|
| Supply Current Active | I_{CC} | | 100 | 140 | mA | Dynamic Current (Assuming internal PHY is used) |
| Powerdown Supply Current | IPDN | | 15 | 38 | mA | Internal PHY in Powerdown mode |
| | | | 14 | 36 | mA | Internal MAC+PHY in Powerdown mode |

CAPACITANCE $T_A = 25^\circ\text{C}$; $f_c = 1\text{MHz}$; $V_{CC} = 3.3\text{V}$

| Parameter | Symbol | Limits | | | Unit | Test Condition |
|-------------------------|-----------|--------|-----|-----|------|--|
| | | MIN | TYP | MAX | | |
| Clock Input Capacitance | C_{IN} | | | 20 | pF | All pins except pin under test tied to AC ground |
| Input Capacitance | C_{IN} | | | 10 | pF | |
| Output Capacitance | C_{OUT} | | | 20 | pF | |

CAPACITIVE LOAD ON OUTPUTS

| | |
|--------------------------|-------|
| ARDY, D0-D31 (non VLBUS) | 45 pF |
| D0-D31 in VLBUS | 45 pF |
| All other outputs | 45 pF |

LAN91C111

13.3 Twisted Pair Characteristics, Transmit

VDD = 3.3v +/- 5%

RBIAS = 11K +/- 1%, no load

| SYM | Parameter | Limits | | | Unit | Conditions |
|-------|--|----------------|-------|---------|-------|--|
| | | MIN | TYP | MAX | | |
| Tov | TP Differential Output Voltage | 0.950 | 1.000 | 1.050 | Vpk | 100 Mbps, UTP Mode, 100 Ohm Load |
| | | 1.165 | 1.225 | 1.285 | Vpk | 100 Mbps, STP Mode, 150 Ohm Load |
| | | 2.2 | 2.5 | 2.8 | Vpk | 10 Mbps, UTP Mode, 100 Ohm Load |
| | | 2.694 | 3.062 | 3.429 | Vpk | 10 Mbps, STP Mode, 150 Ohm Load |
| Tovs | TP Differential Output Voltage Symmetry | 98 | | 102 | % | 100 Mbps, Ratio of Positive And Negative Amplitude Peaks on TPO± |
| TORF | TP Differential Output Rise And Fall Time | 3.0 | | 5.0 | nS | 100 Mbps TRFADJ [1:0] = 10 |
| TORFS | TP Differential Output Rise And Fall Time Symmetry | | | +/-0.5 | nS | 100 Mbps, Difference Between Rise and Fall Times on TPO± |
| ToDC | TP Differential Output Duty Cycle Distortion | | | +/-0.25 | nS | 100 Mbps, Output Data=0101... NRZ Pattern Unscrambled, Measure At 50% Points |
| ToJ | TP Differential Output Jitter | | | +/-1.4 | nS | 100 Mbps, Output Data=scrambled /H/ |
| Too | TP Differential Output Overshoot | | | 5.0 | % | 100 Mbps |
| TOVT | TP Differential Output Voltage Template | See Figure 7-4 | | | | 10 Mbps |
| TSOI | TP Differential Output SOI Voltage Template | See Figure 7-6 | | | | 10 Mbps |
| TLPT | TP Differential Output Link Pulse Voltage Template | See Figure 7-7 | | | | 10 Mbps, NLP and FLP |
| TOIV | TP Differential Output Idle Voltage | | | +/-50 | mV | 10 Mbps. |
| TOIA | TP Output Current | 38 | 40 | 42 | mA pk | 100 Mbps, UTP with TLVL[3:0]=1000 |
| | | 31.06 | 32.66 | 34.26 | mA pk | 100 Mbps, STP with TLVL[3:0]=1000 |
| | | 88 | 100 | 112 | mA pk | 10 Mbps, UTP with TLVL[3:0]=1000 |
| | | 71.86 | 81.64 | 91.44 | mA pk | 10 Mbps, STP with TLVL[3:0]=1000 |

| SYM | Parameter | Limits | | | Unit | Conditions |
|------|--------------------------------------|--------|-----|-------|------|---|
| | | MIN | TYP | MAX | | |
| TOIR | TP Output Current Adjustment Range | 0.80 | | 1.2 | | VDD = 3.3V, Adjustable with RBIAS, relative to TOIA with RBIAS=11K |
| | | 0.86 | | 1.16 | | VDD = 3.3V, Adjustable with LVL[3:0] Relative to Value at TLVL[3:0]=1000 |
| TORA | TP Output Current TLVL Step Accuracy | | | +/-50 | % | Relative to Ideal Values in Table 3. Table 3 Values Relative to Output with TLVL[3:0]=1000. |
| TOR | TP Output Resistance | | 10K | | Ohm | |
| TOC | TP Output Capacitance | | 15 | | pF | |

13.4 Twisted Pair Characteristics, Receive

Unless otherwise noted, all test conditions are as follows:

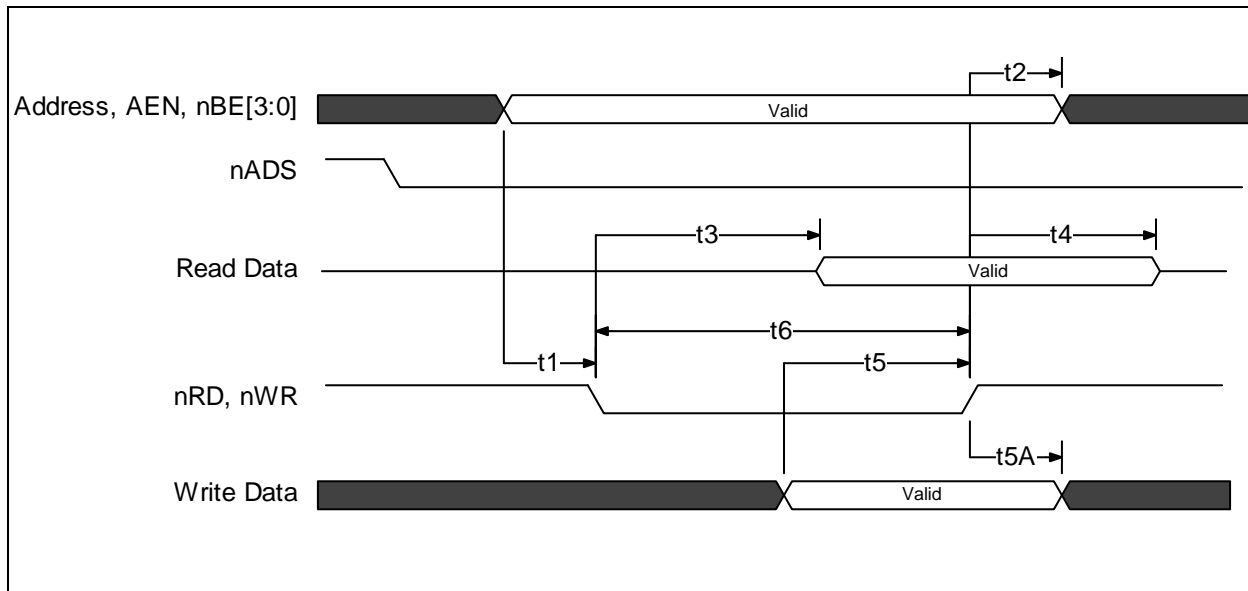
- Vcc = 3.3V +/-5%
- RBIAS = 11K +/- 1%, no load
- 62.5/10 Mhz Square Wave on TP inputs in 100/10 Mbps

| SYM | Parameter | Limits | | | Unit | Conditions |
|------|-------------------------------------|--------|----------------|-----|-------|---|
| | | MIN | TYP | MAX | | |
| RST | TP Input Squelch Threshold | 166 | | 500 | mV pk | 100 Mbps, RLVL=0 |
| | | 310 | | 540 | mV pk | 10 Mbps, RLVL=0 |
| | | 60 | | 200 | mV pk | 100 Mbps, RLVL=1 |
| | | 186 | | 324 | mV pk | 10 Mbps, RLVL=1 |
| RUT | TP Input Unsquelch Threshold | 100 | | 300 | mV pk | 100 Mbps, RLVL=0 |
| | | 186 | | 324 | mV pk | 10 Mbps, RLVL=0 |
| | | 20 | | 90 | mV pk | 100 Mbps, RLVL=1 |
| | | 112 | | 194 | mV pk | 10 Mbps, RLVL=1 |
| | TP Input Open Circuit Voltage | | VDD- 2.4 ± 0.2 | | Volt | Voltage on Either TPI+ or TPI- with Respect to GND. |
| RCMR | TP Input Common Mode Voltage Range | | ROCV ± 0.25 | | Volt | Voltage on TPI± with Respect to GND. |
| RDR | TP Input Differential Voltage Range | | | VDD | Volt | |
| RIR | TP Input Resistance | 5K | | | Ohm | |
| RIC | TP Input Capacitance | | 10 | | pF | |

LAN91C111

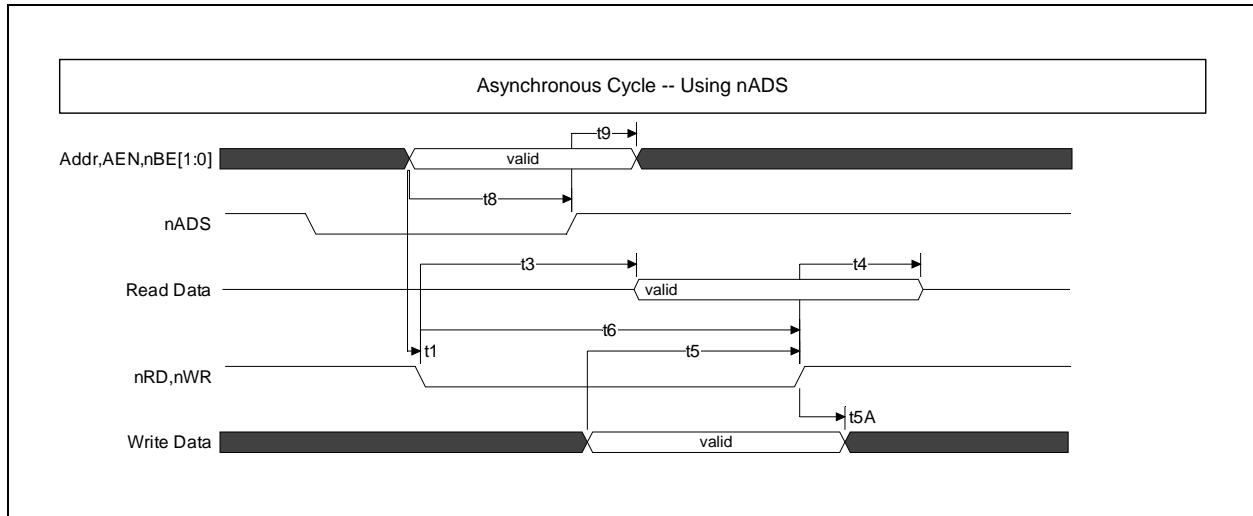
14.0 TIMING DIAGRAMS

FIGURE 14-1: ASYNCHRONOUS CYCLE - NADS=0



| | Parameter | MIN | TYP | MAX | Units |
|-----|---|-----|-----|-----|-------|
| t1 | A1-A15, AEN, nBE[3:0] Valid to nRD, nWR Active | 2 | | | ns |
| t2 | A1-A15, AEN, nBE[3:0] Hold After nRD, nWR Inactive (Assuming nADS Tied Low) | 5 | | | ns |
| t3 | nRD Low to Valid Data | | | 15 | ns |
| t4 | nRD High to Data Invalid | 2 | | 15 | ns |
| t5 | Data Setup to nWR Inactive | 10 | | | ns |
| t5A | Data Hold After nWR Inactive | 5 | | | ns |
| t6 | nRD Strobe Width | 15 | | | ns |

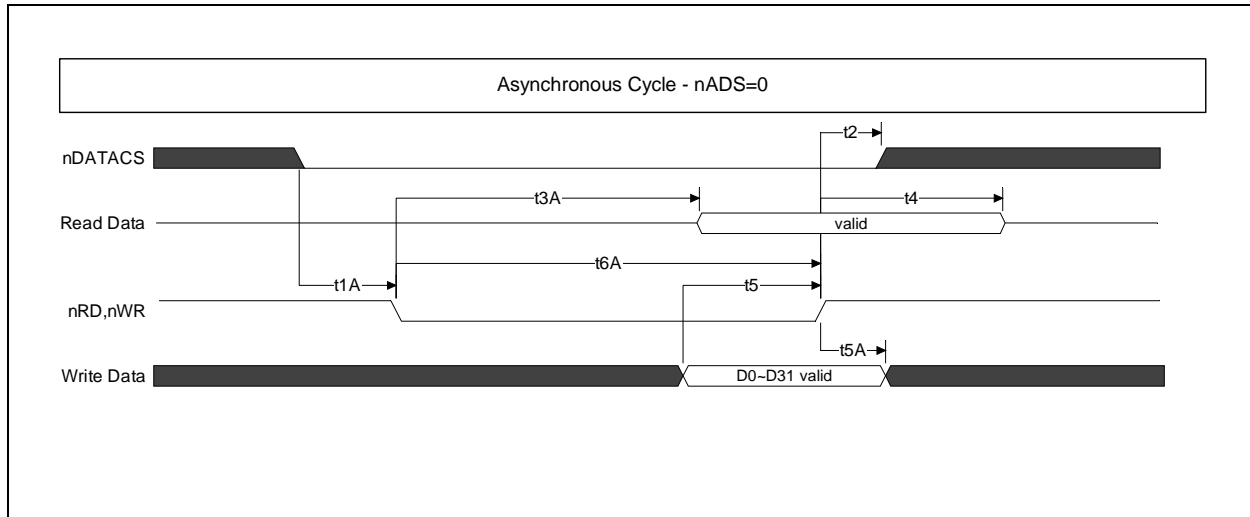
FIGURE 14-2: ASYNCHRONOUS CYCLE - USING NADS



| | Parameter | MIN | TYP | MAX | Units |
|-----|--|-----|-----|-----|-------|
| t1 | A1-A15, AEN, nBE[3:0] Valid to nRD, nWR Active | 2 | | | ns |
| t3 | nRD Low to Valid Data | | | 15 | ns |
| t4 | nRD High to Data Invalid | 2 | | 15 | ns |
| t5 | Data Setup to nWR Inactive | 10 | | | ns |
| t5A | Data Hold After nWR Inactive | 5 | | | ns |
| t6 | nRD Strobe Width | 15 | | | ns |
| t8 | A1-A15, AEN, nBE[3:0] Setup to nADS Rising | 8 | | | ns |
| t9 | A1-A15, AEN, nBE[3:0] Hold after nADS Rising | 5 | | | ns |

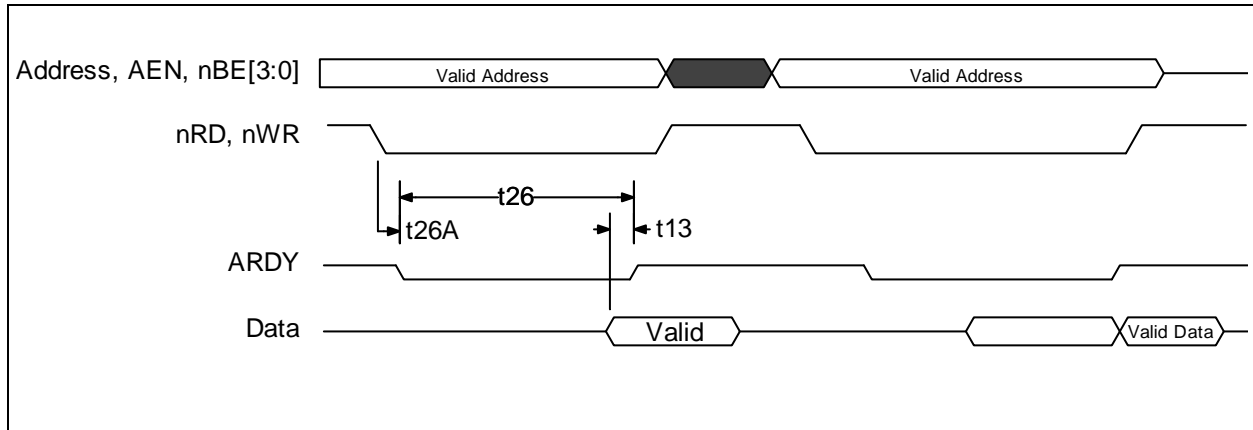
LAN91C111

FIGURE 14-3: ASYNCHRONOUS CYCLE - NADS=0



| | Parameter | MIN | TYP | MAX | Units |
|-----|---|-----|-----|-----|-------|
| t1A | nDATACS Setup to nRD, nWR Active | 2 | | | ns |
| t2 | nDATACS Hold After nRD, nWR Inactive (Assuming nADS Tied Low) | 5 | | | ns |
| t3A | nRD Low to Valid Data | | | 30 | ns |
| t4 | nRD High to Data Invalid | 2 | | 15 | ns |
| t5 | Data Setup to nWR Inactive | 10 | | | ns |
| t5A | Data Hold After nWR Inactive | 5 | | | ns |
| t6A | nRD Strobe Width | 30 | | | ns |

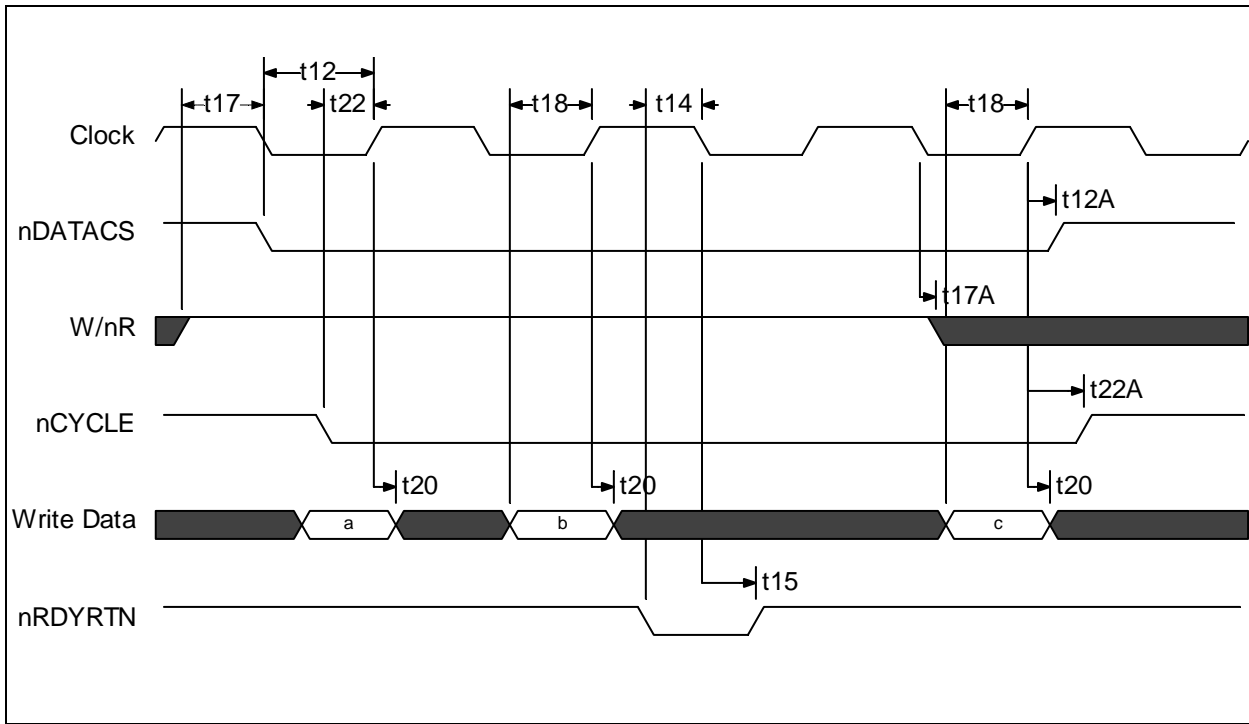
FIGURE 14-4: ASYNCHRONOUS READY



| | Parameter | MIN | TYP | MAX | Units |
|------|----------------------------|-----|-----|-----|-------|
| t26 | ARDY Low Pulse Width | 100 | | 150 | ns |
| t26A | Control Active to ARDY Low | | | 10 | ns |
| t13 | Valid Data to ARDY High | 10 | | | ns |

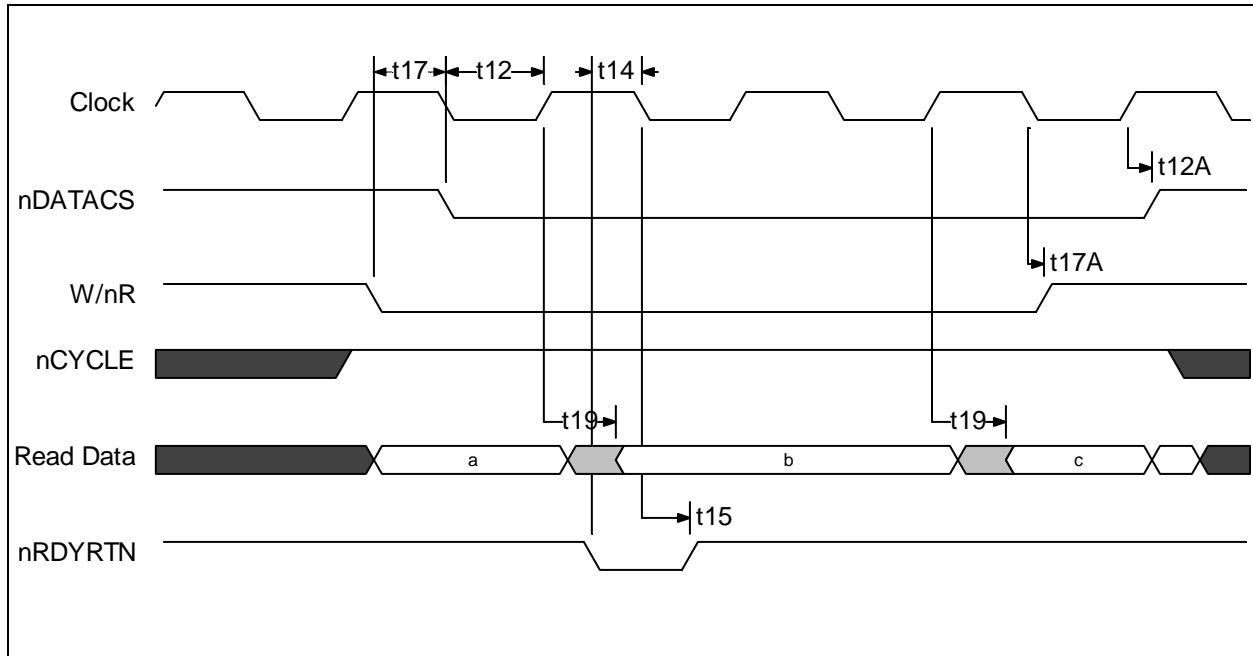
LAN91C111

FIGURE 14-5: BURST WRITE CYCLES - NVLBUS=1



| | Parameter | MIN | TYP | MAX | Units |
|------|------------------------------------|-----|-----|-----|-------|
| t12 | nDATACS Setup to LCLK Rising | 20 | | | ns |
| t12A | nDATACS Hold After LCLK Rising | 0 | | | ns |
| t14 | nRDYRTN Setup to LCLK Falling | 10 | | | ns |
| t15 | nRDYRTN Hold after LCLK Falling | 10 | | | ns |
| t17 | W/nR Setup to LCLK Falling | 15 | | | ns |
| t17A | W/nR Hold After LCLK Falling | 3 | | | ns |
| t18 | Data Setup to LCLK Rising (Write) | 15 | | | ns |
| t20 | Data Hold from LCLK Rising (Write) | 4 | | | ns |
| t22 | nCYCLE Setup to LCLK Rising | 5 | | | ns |
| t22A | nCYCLE Hold After LCLK Rising | 10 | | | ns |

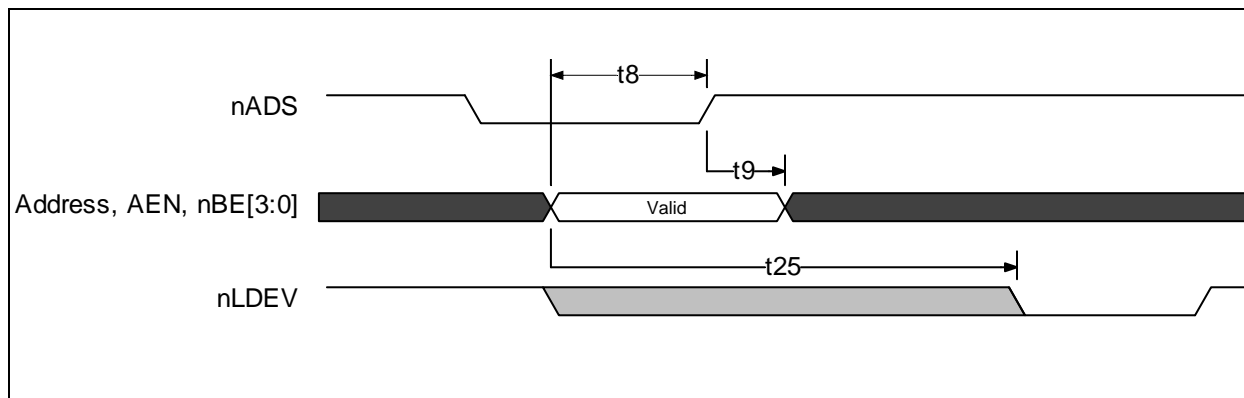
FIGURE 14-6: BURST READ CYCLES - NVLBUS=1



| | Parameter | MIN | TYP | MAX | Units |
|------|------------------------------------|-----|-----|-----|-------|
| t12 | nDATACS Setup to LCLK Rising | 20 | | | ns |
| t12A | nDATACS Hold after LCLK Rising | 0 | | | ns |
| t14 | nRDYRTN Setup to LCLK Falling | 10 | | | ns |
| t15 | nRDYRTN Hold after LCLK Falling | 10 | | | ns |
| t17 | W/nR Setup to LCLK Falling | 15 | | | ns |
| t17A | W/nR Hold After LCLK Falling | 3 | | | ns |
| t19 | Data Delay from LCLK Rising (Read) | 5 | | 15 | ns |

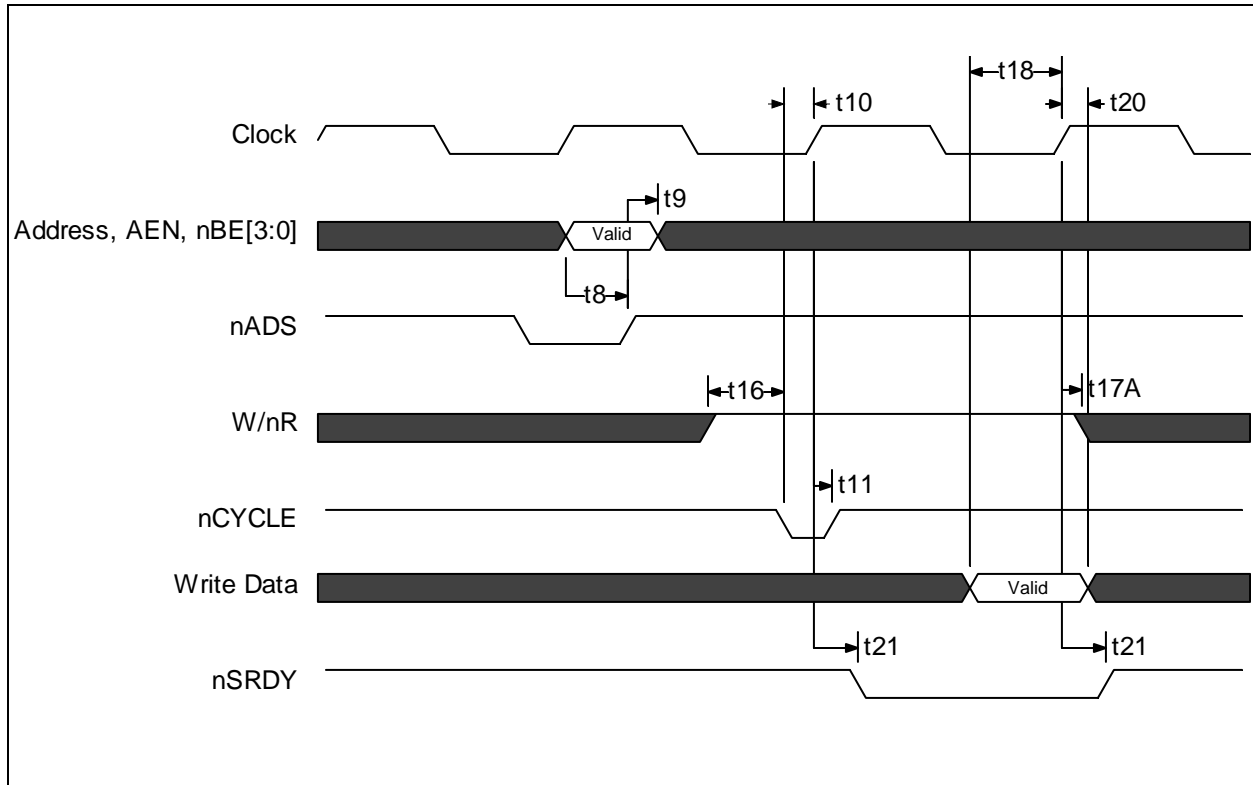
LAN91C111

FIGURE 14-7: ADDRESS LATCHING FOR ALL MODES



| | Parameter | MIN | TYP | MAX | Units |
|-----|--|-----|-----|-----|-------|
| t8 | A1-A15, AEN, nBE[3:0] Setup to nADS Rising | 8 | | | ns |
| t9 | A1-A15, AEN, nBE[3:0] Hold After nADS Rising | 5 | | | ns |
| t25 | A4-A15, AEN to nLDEV Delay | | | 30 | ns |

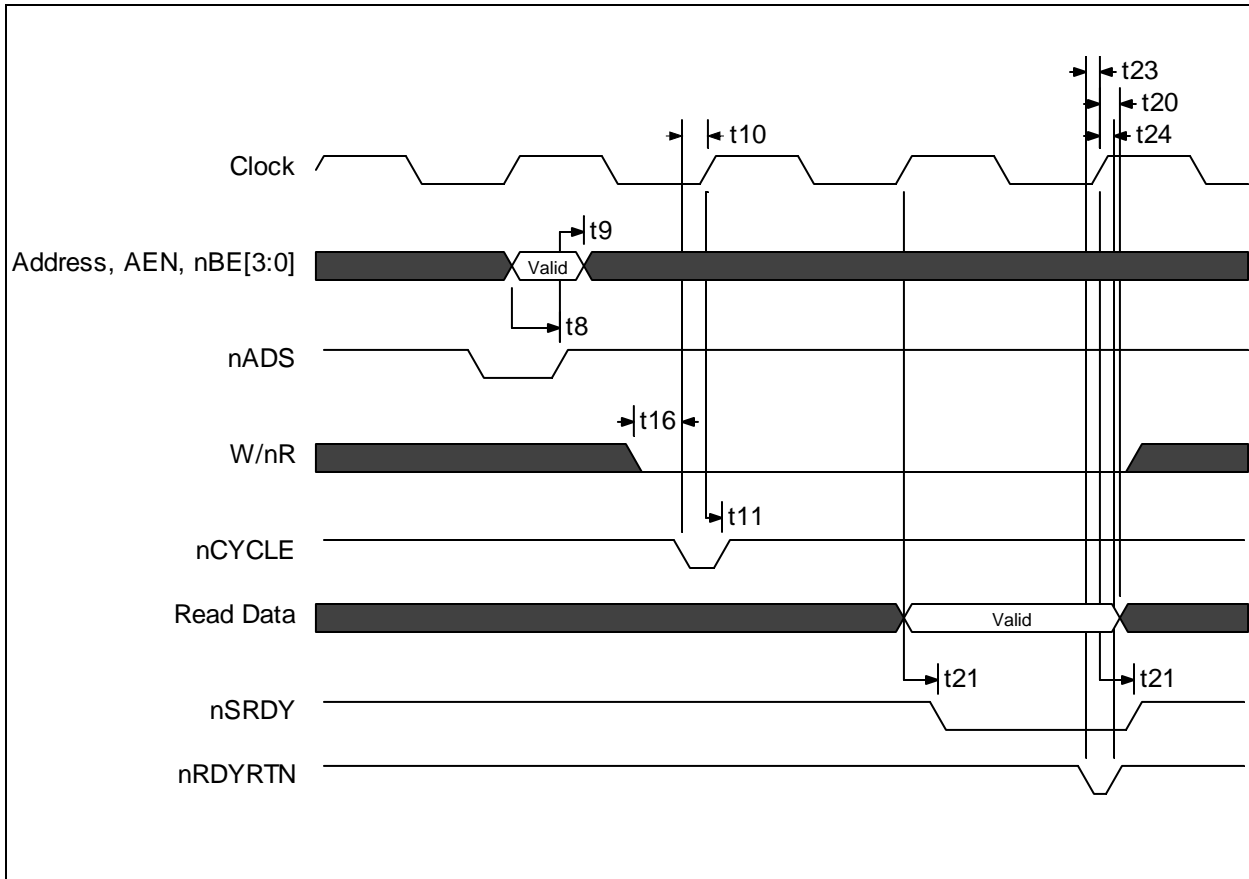
FIGURE 14-8: SYNCHRONOUS WRITE CYCLE - NVLBUS=0



| | Parameter | MIN | TYP | MAX | Units |
|------|--|-----|-----|-----|-------|
| t8 | A1-A15, AEN, nBE[3:0] Setup to nADS Rising | 8 | | | ns |
| t9 | A1-A15, AEN, nBE[3:0] Hold After nADS Rising | 5 | | | ns |
| t10 | nCYCLE Setup to LCLK Rising | 5 | | | ns |
| t11 | nCYCLE Hold after LCLK Rising (Non-Burst Mode) | 3 | | | ns |
| t16 | W/nR Setup to nCYCLE Active | 0 | | | ns |
| t17A | W/nR Hold after LCLK Rising with nSRDY Active | 3 | | | ns |
| t18 | Data Setup to LCLK Rising (Write) | 15 | | | ns |
| t20 | Data Hold from LCLK Rising (Write) | 4 | | | ns |
| t21 | nSRDY Delay from LCLK Rising | | | 7 | ns |

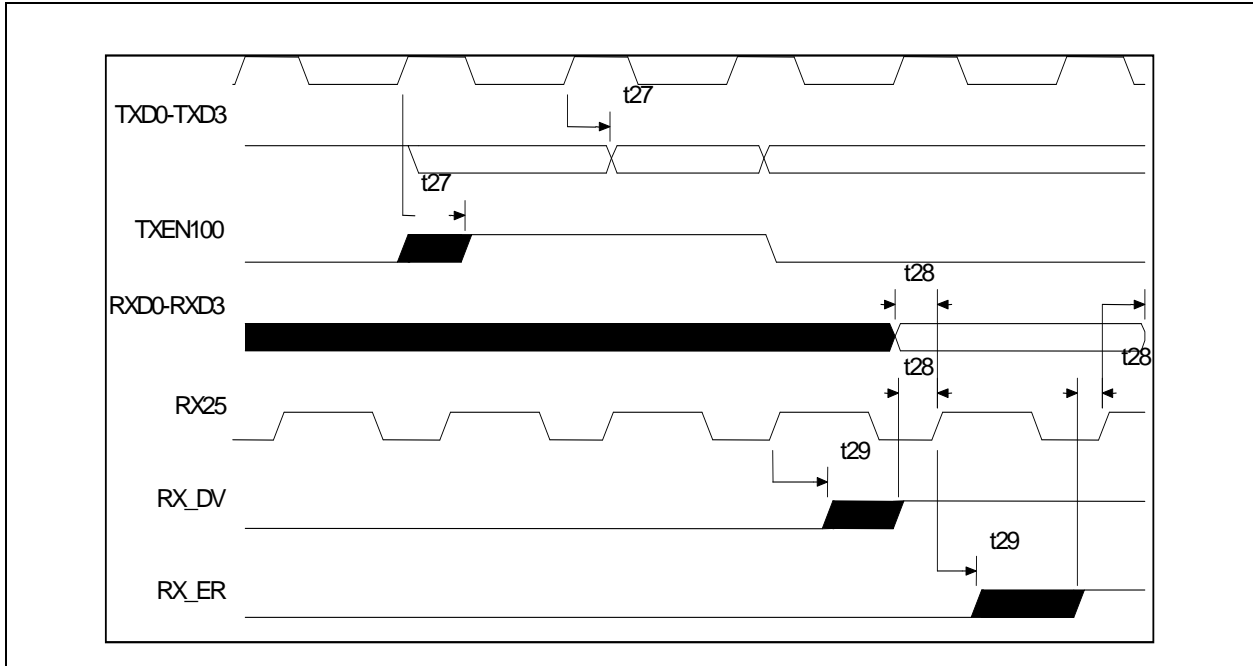
LAN91C111

FIGURE 14-9: SYNCHRONOUS READ CYCLE - NVLBUS=0



| | Parameter | MIN | TYP | MAX | Units |
|-----|--|-----|-----|-----|-------|
| t8 | A1-A15, AEN, nBE[3:0] Setup to nADS Rising | 8 | | | ns |
| t9 | A1-A15, AEN, nBE[3:0] Hold After nADS Rising | 5 | | | ns |
| t10 | nCYCLE Setup to LCLK Rising | 5 | | | ns |
| t11 | nCYCLE Hold after LCLK Rising (Non-Burst Mode) | 3 | | | ns |
| t16 | W/nR Setup to nCYCLE Active | 0 | | | ns |
| t20 | Data Hold from LCLK Rising (Read) | 4 | | | ns |
| t21 | nSRDY Delay from LCLK Rising | | | 7 | ns |
| t23 | nRDYRTN Setup to LCLK Rising | 3 | | | ns |
| t24 | nRDYRTN Hold after LCLK Rising | 3 | | | ns |

FIGURE 14-10: MII TIMING



| | Parameter | MIN | TYP | MAX | Units |
|-----|--|-----|-----|-----|-------|
| t27 | TXD0-TXD3, TXEN100 Delay from TX25 Rising | 0 | | 15 | ns |
| t28 | RXD0-RXD3, RX_DV, RX_ER Setup to RX25 Rising | 10 | | | ns |
| t29 | RXD0-RXD3, RX_DV, RX_ER Hold After RX25 Rising | 10 | | | ns |

AC TEST TIMING CONDITIONS

Unless otherwise noted, all test conditions are as follows:

1. V_{DD} = 3.3V +/-5%
2. R_{BIAS} = 11K +/- 1%, no load
3. Measurement Points:
4. TPO±, TPI±: 0.0 V During Data, ±0.3V at start/end of packet
5. All other inputs and outputs: 1.4 Volts

TABLE 14-1: TRANSMIT TIMING CHARACTERISTICS

| SYM | Parameter | Limit | | | Unit | Condition |
|-----|----------------------------|-------|-----|-----|------|-----------|
| | | MIN | TYP | MAX | | |
| t30 | Transmit Propagation Delay | 60 | | 140 | nS | 100Mbps |
| | | | | 600 | nS | 10Mbps |

LAN91C111

TABLE 14-1: TRANSMIT TIMING CHARACTERISTICS

| SYM | Parameter | Limit | | | Unit | Condition |
|-----|----------------------------------|-------|-----|------|----------|-----------|
| | | MIN | TYP | MAX | | |
| t31 | Transmit Output Jitter | | | ±0.7 | nS pk-pk | 100Mbps |
| | | | | ±5.5 | nS pk-pk | 10Mbps |
| t32 | Transmit SOI Pulse Width to 0.3V | 250 | | | nS | 10Mbps |
| t33 | Transmit SOI Pulse Width to 40mV | | | 4500 | nS | 10Mbps |
| t34 | LEDn Delay Time | | | 25 | mS | |
| t35 | LEDn Pulse Width | 80 | | 105 | mS | |

FIGURE 14-11: TRANSMIT TIMING

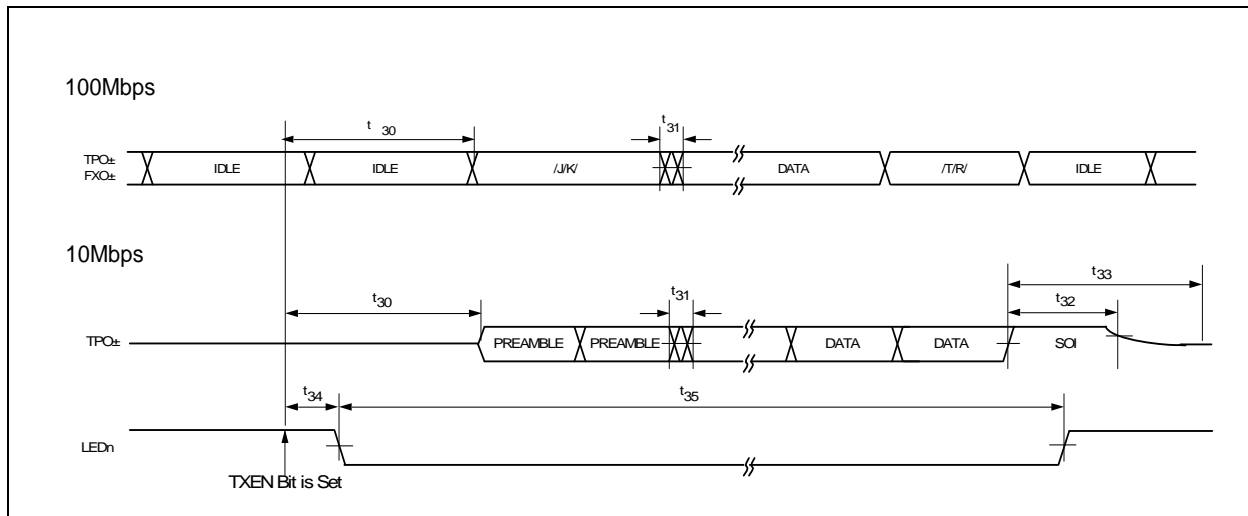


TABLE 14-2: RECEIVE TIMING CHARACTERISTICS

| SYM | Parameter | Limit | | | Unit | Condition |
|-----|---|-------|-----|-------|----------|---|
| | | MIN | TYP | MAX | | |
| t36 | Receive Input Jitter | | | ±3.0 | nS pk-pk | 100Mbps |
| | | | | ±13.5 | nS pk-pk | 10Mbps |
| t37 | SOI Pulse Minimum Width Required for Idle Detection | 125 | | 200 | nS | 10Mbps Measure TPI± from last zero cross to 0.3V point |

FIGURE 14-12: RECEIVE TIMING, END OF PACKET - 10 MBPS

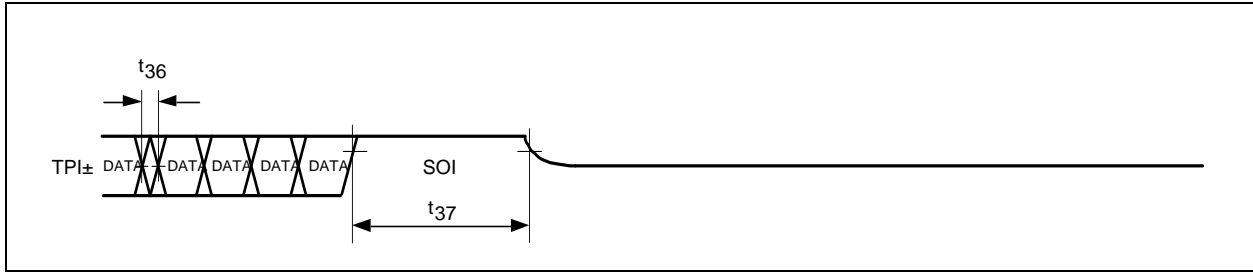


TABLE 14-3: COLLISION AND JAM TIMING CHARACTERISTICS

| SYM | Parameter | Limit | | | Unit | Condition |
|-----|---|-------|-----|------|------|-----------|
| | | MIN | TYP | MAX | | |
| t38 | Rcv Packet Start to COL Assert Time | | | 200 | nS | 100Mbps |
| | | | | 700 | nS | 10Mbps |
| | | | | 300 | nS | 10Mbps |
| t39 | Xmt Packet Start to COL Assert Time | | | 200 | nS | 100Mbps |
| | | | | 700 | nS | 10Mbps |
| | | | | 300 | nS | 10Mbps |
| t40 | Start of Packet to Transmit JAM Packet Start During JAM | | | 500 | nS | 100Mbps |
| | | | | 1500 | nS | 10Mbps |
| t41 | Xmt Packet Start to COL Assert Time | | | 200 | nS | 100Mbps |
| | | | | 700 | nS | 10Mbps |

LAN91C111

FIGURE 14-13: COLLISION TIMING, RECEIVE

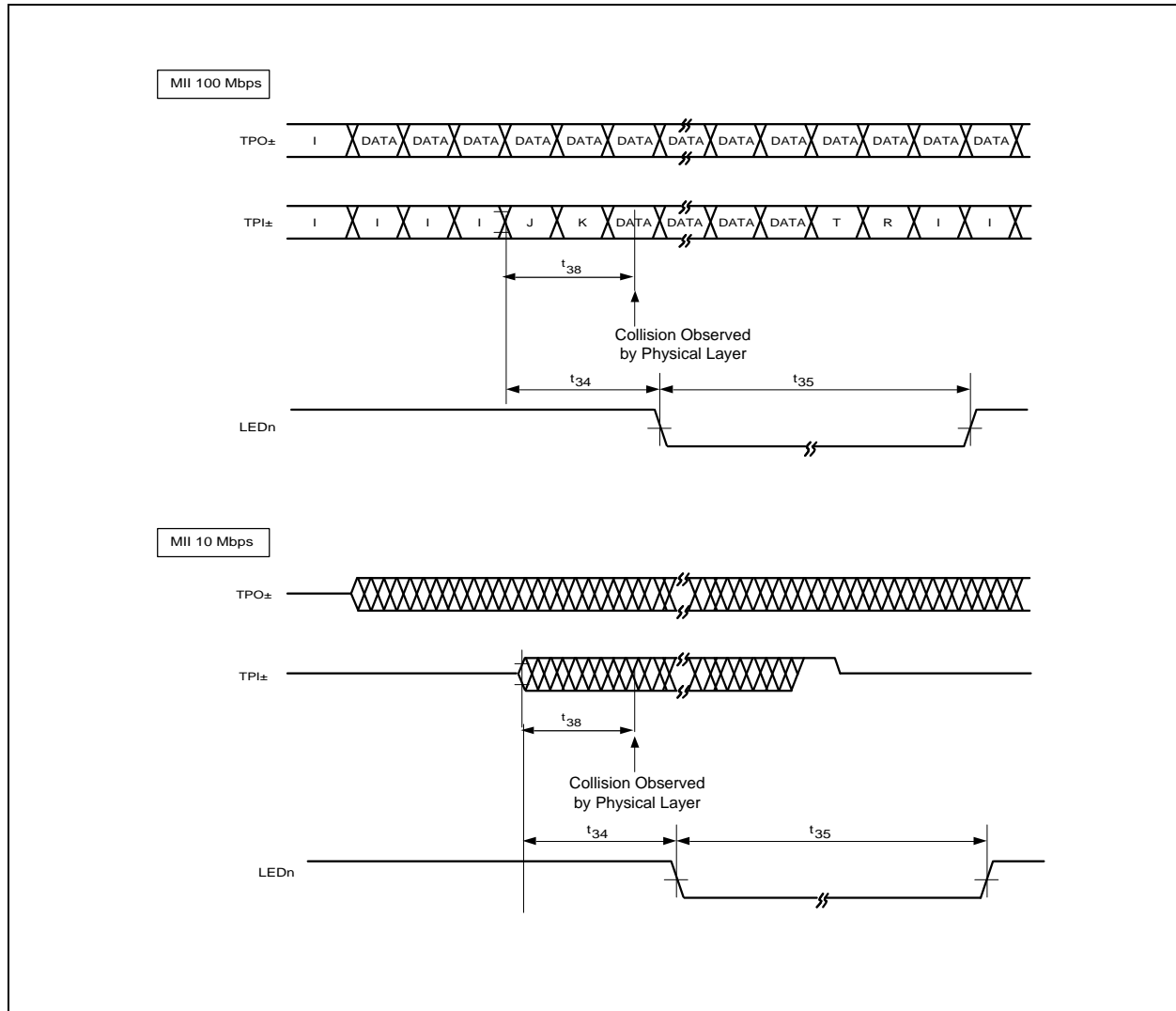
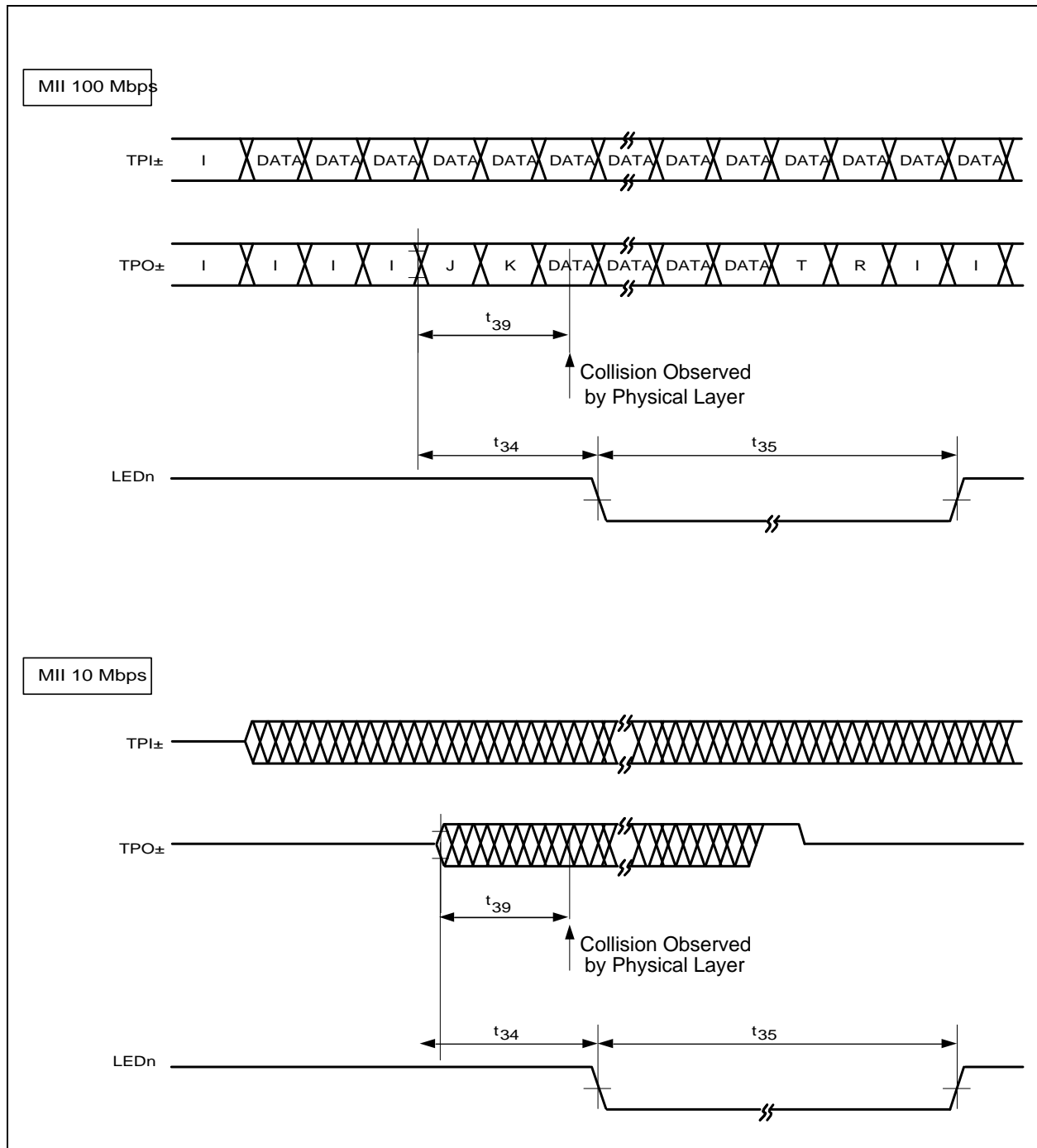


FIGURE 14-14: COLLISION TIMING, TRANSMIT



LAN91C111

FIGURE 14-15: JAM TIMING

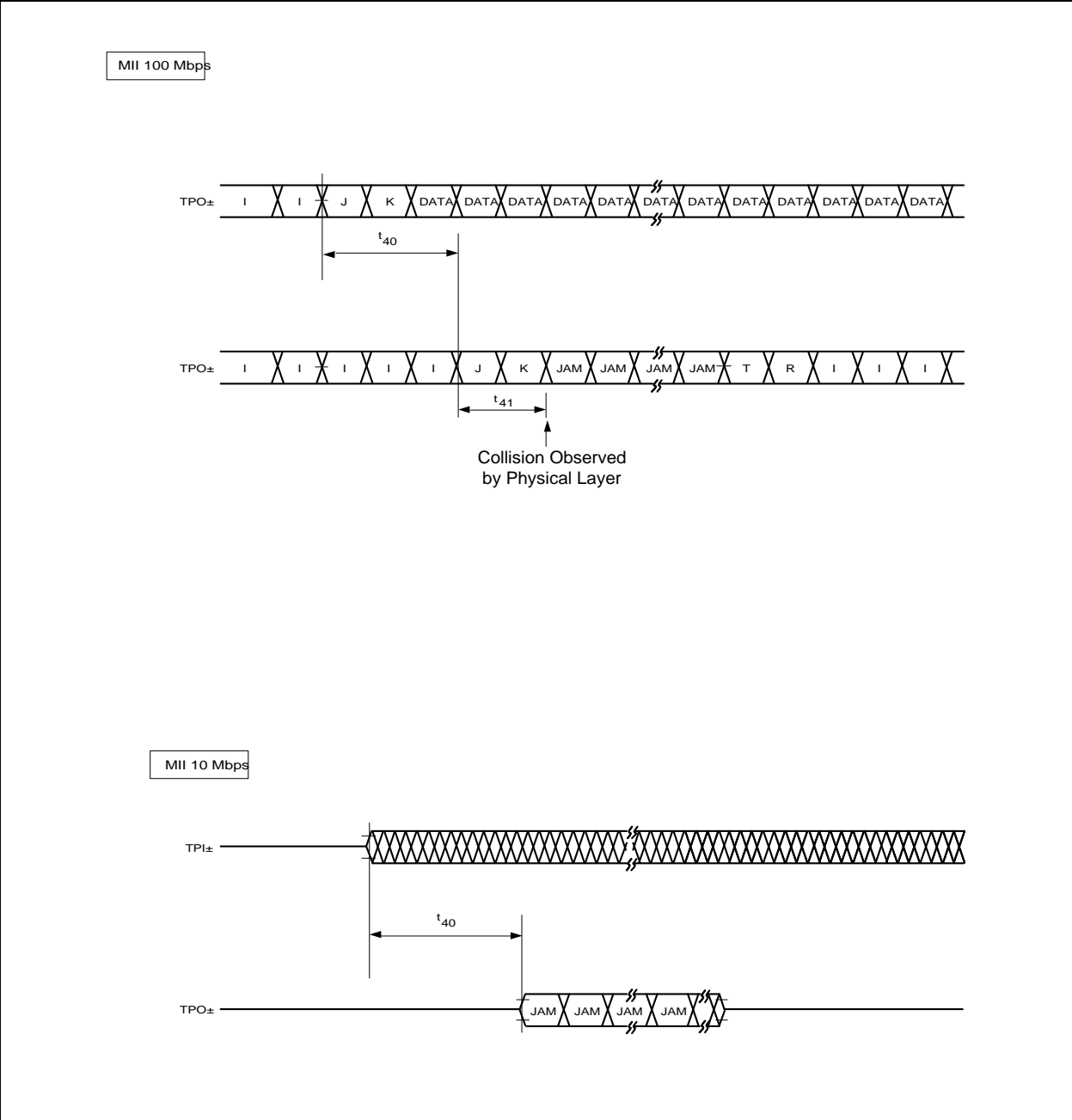


TABLE 14-4: LINK PULSE TIMING CHARACTERISTICS

| SYM | Parameter | Limit | | | Unit | Condition |
|-----|---|--------------------------------|------|------|-------------|----------------------------|
| | | MIN | TYP | MAX | | |
| t42 | NLP Transmit Link Pulse Width | See Figure 7-8 | | | nS | |
| t43 | NLP Transmit Link Pulse Period | 8 | | 24 | mS | |
| t44 | NLP Receive Link Pulse Width Required For Detection | 50 | | | nS | |
| t45 | NLP Receive Link Pulse Minimum Period Required For Detection | 6 | | 7 | mS | link_test_min |
| t46 | NLP Receive Link Pulse Maximum Period Required For Detection | 50 | | 150 | mS | link_test_max |
| t47 | NLP Receive Link Pulse Required To Exit Link Fail State | 3 | 3 | 3 | Link Pulses | lc_max |
| t48 | FLP Transmit Link Pulse Width | 100 | | 150 | nS | |
| t49 | FLP Transmit Clock Pulse to Data Pulse Period | 55.5 | 62.5 | 69.5 | μS | interval_timer |
| t50 | FLP Transmit Clock Pulse to Clock Pulse Period | 111 | 125 | 139 | μS | |
| t51 | FLP Transmit Link Pulse Burst Period | 8 | | 22 | mS | transmit_link_burst_time_r |
| t52 | FLP Receive Link Pulse Width Required For Detection | 50 | | | nS | |
| t53 | FLP Receive Link Pulse Minimum Period Required For Clock Pulse Detection | 5 | | 25 | μS | flp_test_min_timer |
| t54 | FLP Receive Link Pulse Maximum Period Required For Clock Pulse Detection | 165 | | 185 | μS | flp_test_max_timer |
| t55 | FLP Receive Link Pulse Minimum Period Required For Data Pulse Detection | 15 | | 47 | μS | data_detect_min_timer |
| t56 | FLP Receive Link Pulse Maximum Period Required For Data Pulse Detection | 78 | | 100 | μS | data_detect_max_timer |
| t57 | FLP Receive Link Pulse Burst Minimum Period Required For Detection | 5 | | 7 | mS | nlp_test_min_timer |
| t58 | FLP Receive Link Pulse Burst Maximum Period Required For Detection | 50 | | 150 | mS | nlp_test_max_timer |
| t59 | FLP Receive Link Pulses Bursts Required To Detect Auto-Negotiation Capability | 3 | 3 | 3 | Link Pulses | |

LAN91C111

FIGURE 14-16: LINK PULSE TIMING

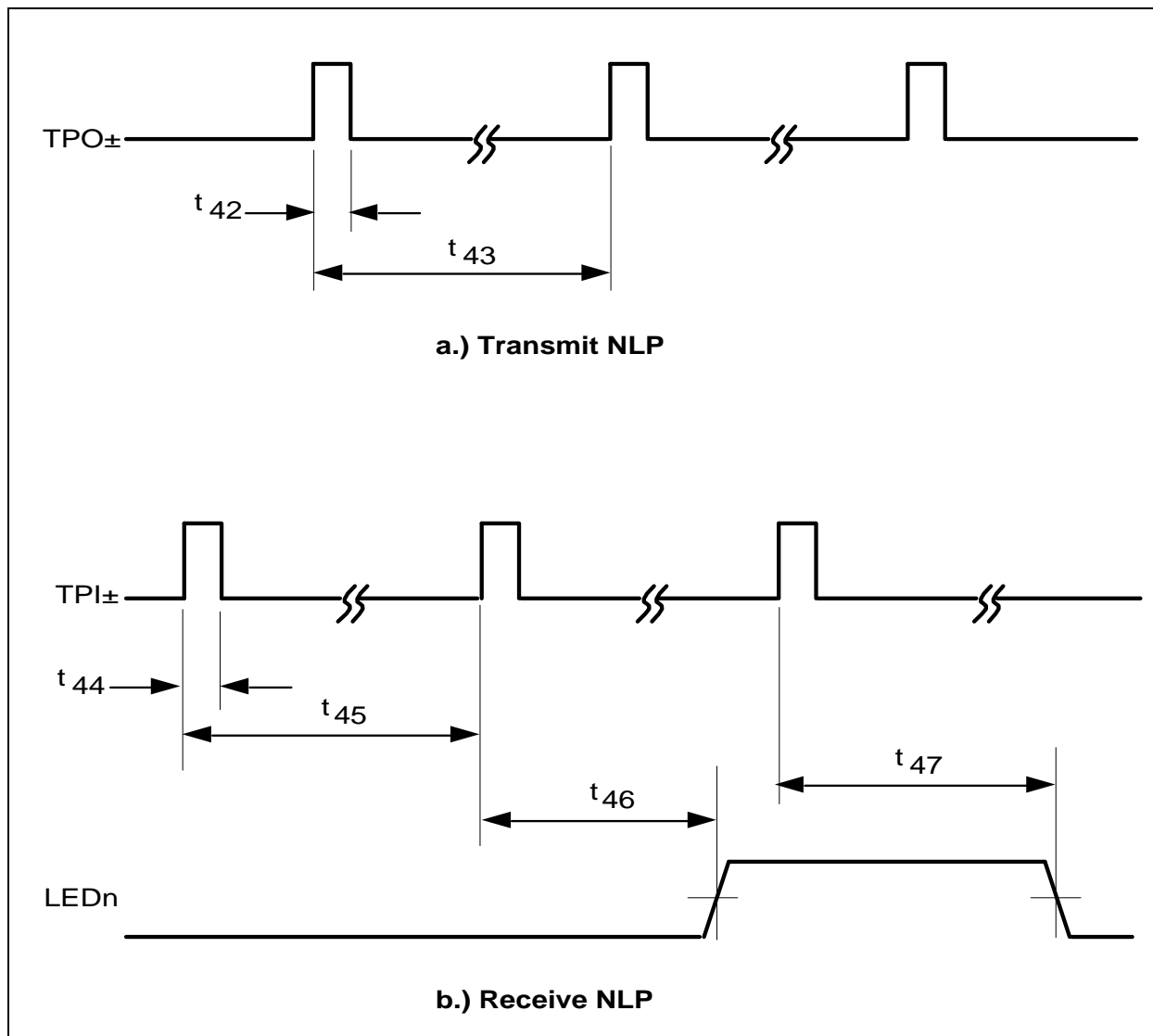
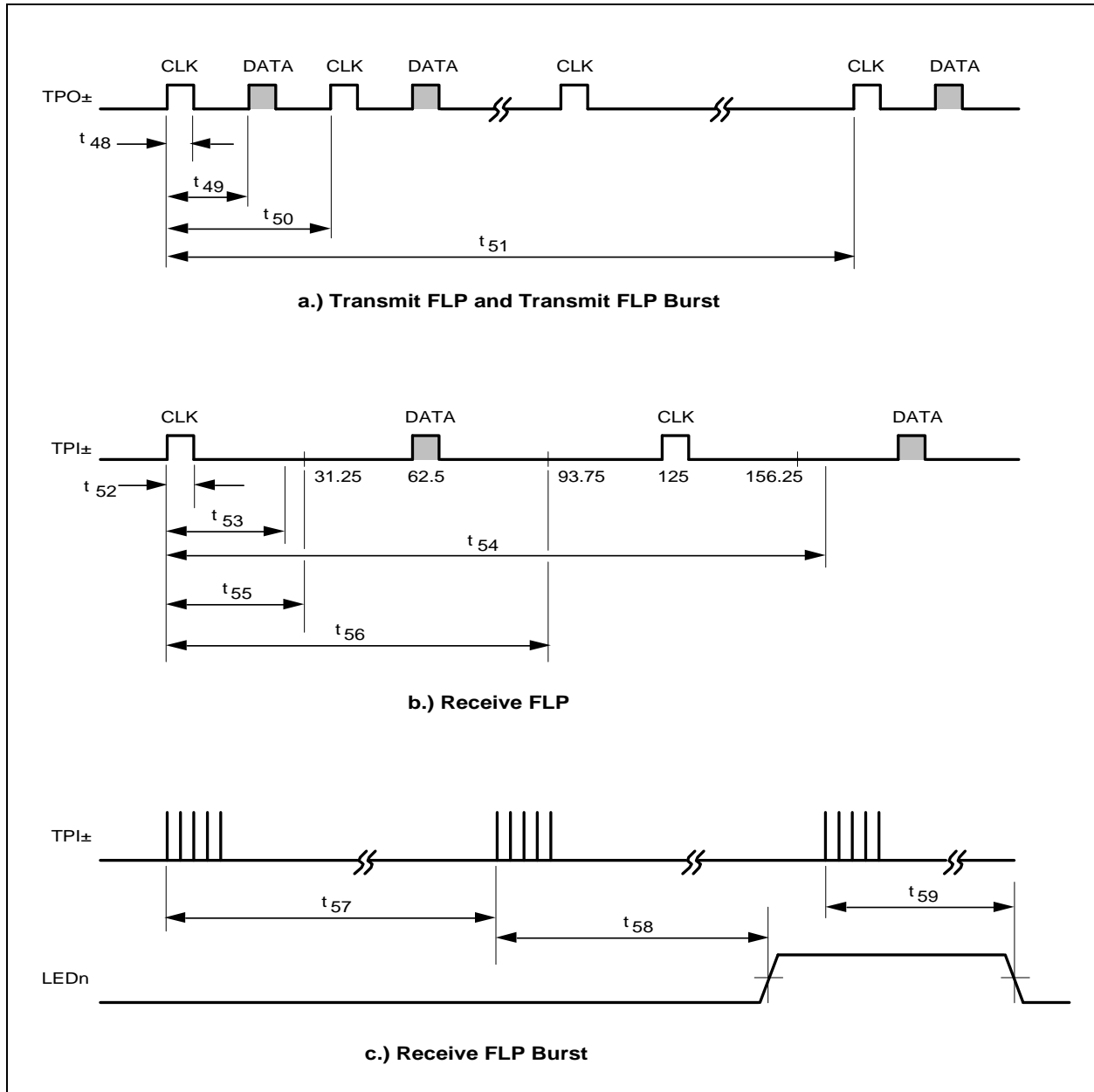


FIGURE 14-17: FLP LINK PULSE TIMING



LAN91C111

15.0 PACKAGE OUTLINES

FIGURE 15-1: 128-PIN TQFP PACKAGE OUTLINE, 14X14X1.0 BODY, 0.4MM PITCH

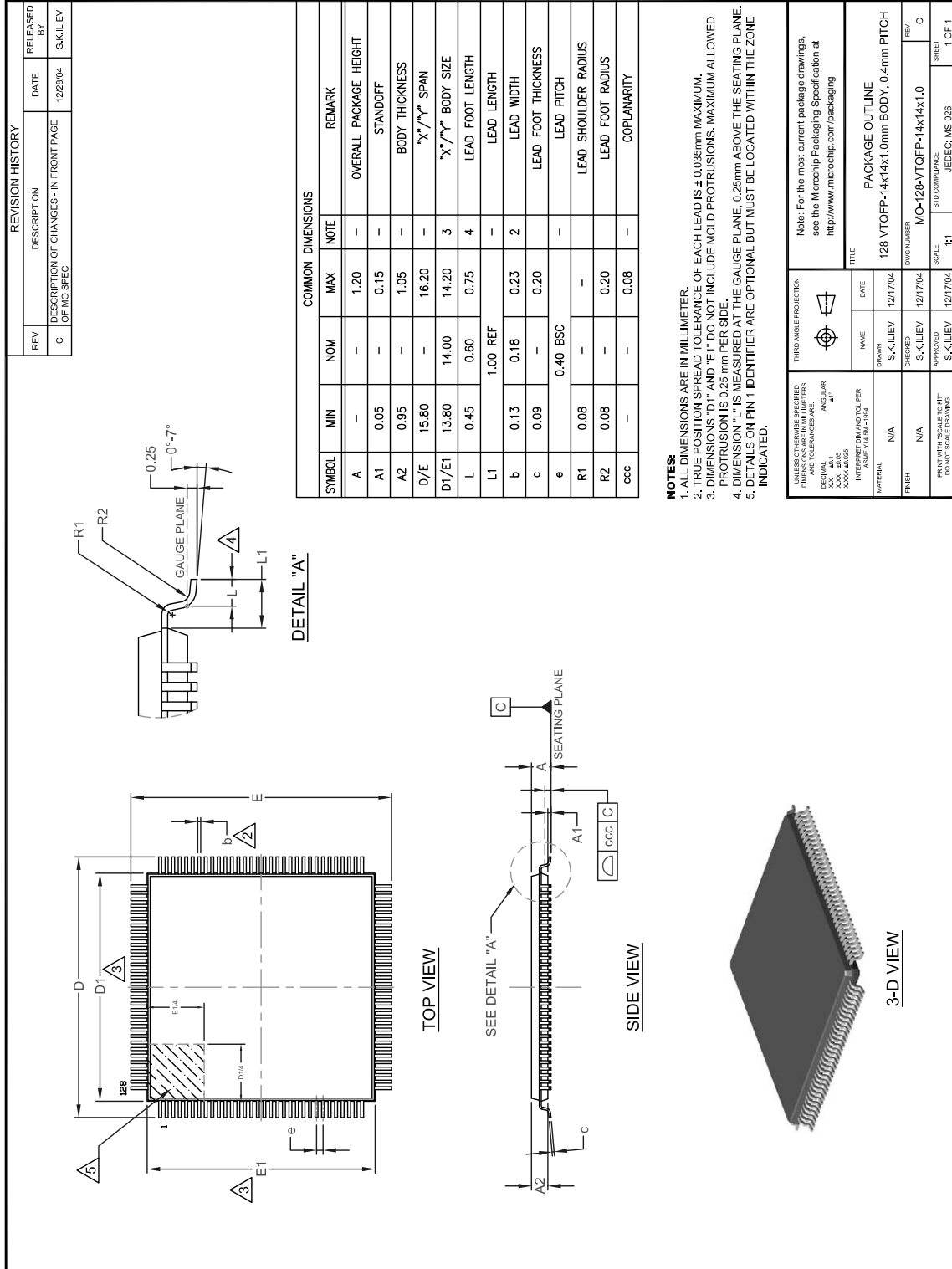
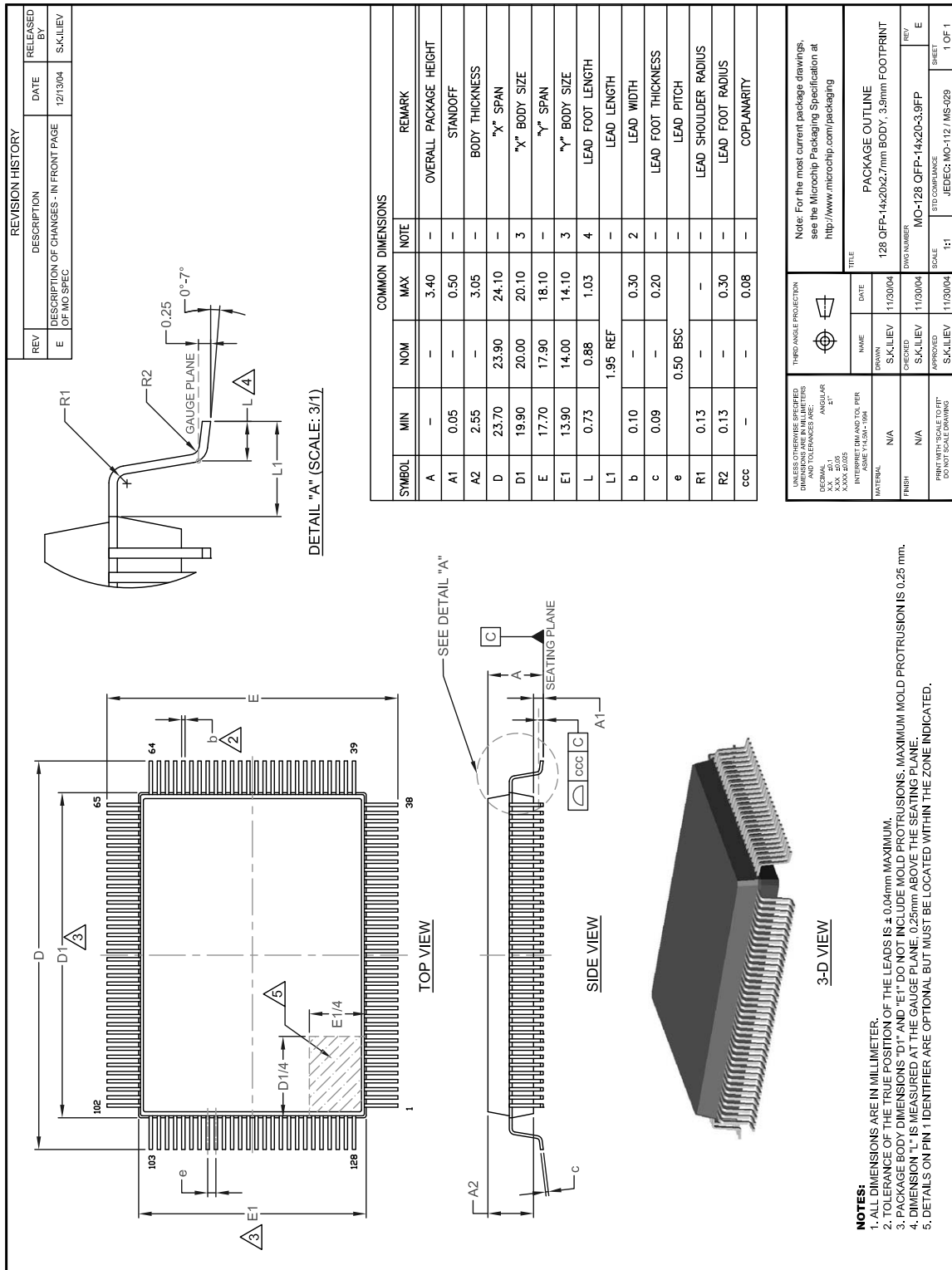


FIGURE 15-2: 128-PIN QFP PACKAGE OUTLINE, 14X20X2.7MM BODY, 3.9 MM FOOTPRINT



LAN91C111

APPENDIX A: DATA SHEET REVISION HISTORY

TABLE A-1: REVISION HISTORY

| REVISION LEVEL & DATE | SECTION/FIGURE/ENTRY | CORRECTION |
|------------------------|--|---|
| DS00002276A (09-01-16) | Replaces previous SMSC version Rev. 1.92 (06-27-11) | |
| Rev. 1.92 (06-27-11) | Section 7.7.17, "PHY Powerdown," on page 36 | Added note stating that the PDN bit must not be set when the device is in external PHY mode. |
| | Table 10-1, "Typical Flow Of Events For Placing Device In Low Power Mode," on page 77 | Added note to step 6 stating that the bit (PDN) must not be set when the device is in external PHY mode. |
| | Table 10-2, "Flow Of Events For Restoring Device In Normal Power Mode," on page 78 | Added note to step 3 stating that the step is only performed when the device is in internal PHY mode. |
| | Table 9.1, "Register 0. Control Register," on page 69 | Added note to PDN bit definition stating that the bit must not be set when the device is in external PHY mode. |
| Rev. 1.91 (06-01-09) | The following ordering information has been removed: "LAN91C111-NC, LAN91C111i-NC (Industrial Temperature) for 128 pin QFP packages", "LAN91C111-NE, LAN91C111i-NE (Industrial Temperature) for 128-pin TQFP packages" as these has been discontinued. | |
| | All | Updated document references to Rev. C. |
| | Section 13.1, "Maximum Ratings*," on page 97 | Fixed commercial temp range to state "0°C to +70°C for LAN91C111" |
| | Cover | Added bullet: "Commercial Temperature Range from 0°C to 70°C (LAN91C111)" |
| | Section 8.24, "Bank 3 - Revision Register," on page 62 | Changed REV default from "0001" to "0010" |
| | Table 14-3, "Asynchronous Cycle - nADS=0," on page 104 | Changed T1A time in table under figure from 10nS min to 2nS min. |
| | Section 10.4, "Typical Flow of Event For Receive," on page 80 | In step 4, changed last sentence from "If CRC is incorrect the packet memory is released and no interrupt will occur.", to "The RCV_BAD bit of the Bank 1 Control Register controls whether or not to generate interrupts when bad CRC packets are received." |
| | Section 7.7.14, "Receive Polarity Correction," on page 35 | Added note at end of 10 Mbps subsection stating "The first 3 received packets must be discarded after the correction of a reverse polarity condition." |

THE MICROCHIP WEB SITE

Microchip provides online support via our WWW site at www.microchip.com. This web site is used as a means to make files and information easily available to customers. Accessible by using your favorite Internet browser, the web site contains the following information:

- **Product Support** – Data sheets and errata, application notes and sample programs, design resources, user's guides and hardware support documents, latest software releases and archived software
- **General Technical Support** – Frequently Asked Questions (FAQ), technical support requests, online discussion groups, Microchip consultant program member listing
- **Business of Microchip** – Product selector and ordering guides, latest Microchip press releases, listing of seminars and events, listings of Microchip sales offices, distributors and factory representatives

CUSTOMER CHANGE NOTIFICATION SERVICE

Microchip's customer notification service helps keep customers current on Microchip products. Subscribers will receive e-mail notification whenever there are changes, updates, revisions or errata related to a specified product family or development tool of interest.

To register, access the Microchip web site at www.microchip.com. Under "Support", click on "Customer Change Notification" and follow the registration instructions.

CUSTOMER SUPPORT

Users of Microchip products can receive assistance through several channels:

- Distributor or Representative
- Local Sales Office
- Field Application Engineer (FAE)
- Technical Support

Customers should contact their distributor, representative or field application engineer (FAE) for support. Local sales offices are also available to help customers. A listing of sales offices and locations is included in the back of this document.

Technical support is available through the web site at: <http://www.microchip.com/support>

LAN91C111

PRODUCT IDENTIFICATION SYSTEM

To order or obtain information, e.g., on pricing or delivery, refer to the factory or the listed sales office.

| <u>PART NO.</u> | [X] | - | XXX | - | [X] ⁽¹⁾ |
|------------------------------|--|---|---------|---|----------------------|
| Device | Temperature Range | | Package | | Tape and Reel Option |
| Device: | LAN91C111, LAN91C111i | | | | |
| Temperature Range: | Blank = 0°C to +70°C (Commercial) i = -40°C to +85°C (Industrial) | | | | |
| Package: | NS = 128-pin QFP NU = 128-pin TQFP | | | | |
| Tape and Reel Option: | Blank = Standard packaging (tray) TR = Tape and Reel ⁽¹⁾ | | | | |

Examples:

- a) LAN91C111-NS
Commercial temperature,
128-pin QFP, Tray
- b) LAN91C111i-NS
Industrial temperature,
128-pin QFP, Tape & Reel
- c) LAN91C111-NU
Commercial temperature,
128-pin TQFP, Tray
- d) LAN91C111i-NU
Industrial temperature,
128-pin TQFP, Tape & Reel

Note 1: Tape and Reel identifier only appears in the catalog part number description. This identifier is used for ordering purposes and is not printed on the device package. Check with your Microchip Sales Office for package availability with the Tape and Reel option.

Note the following details of the code protection feature on Microchip devices:

- Microchip products meet the specification contained in their particular Microchip Data Sheet.
- Microchip believes that its family of products is one of the most secure families of its kind on the market today, when used in the intended manner and under normal conditions.
- There are dishonest and possibly illegal methods used to breach the code protection feature. All of these methods, to our knowledge, require using the Microchip products in a manner outside the operating specifications contained in Microchip's Data Sheets. Most likely, the person doing so is engaged in theft of intellectual property.
- Microchip is willing to work with the customer who is concerned about the integrity of their code.
- Neither Microchip nor any other semiconductor manufacturer can guarantee the security of their code. Code protection does not mean that we are guaranteeing the product as “unbreakable.”

Code protection is constantly evolving. We at Microchip are committed to continuously improving the code protection features of our products. Attempts to break Microchip's code protection feature may be a violation of the Digital Millennium Copyright Act. If such acts allow unauthorized access to your software or other copyrighted work, you may have a right to sue for relief under that Act.

Information contained in this publication regarding device applications and the like is provided only for your convenience and may be superseded by updates. It is your responsibility to ensure that your application meets with your specifications. MICROCHIP MAKES NO REPRESENTATIONS OR WARRANTIES OF ANY KIND WHETHER EXPRESS OR IMPLIED, WRITTEN OR ORAL, STATUTORY OR OTHERWISE, RELATED TO THE INFORMATION, INCLUDING BUT NOT LIMITED TO ITS CONDITION, QUALITY, PERFORMANCE, MERCHANTABILITY OR FITNESS FOR PURPOSE. Microchip disclaims all liability arising from this information and its use. Use of Microchip devices in life support and/or safety applications is entirely at the buyer's risk, and the buyer agrees to defend, indemnify and hold harmless Microchip from any and all damages, claims, suits, or expenses resulting from such use. No licenses are conveyed, implicitly or otherwise, under any Microchip intellectual property rights unless otherwise stated.

Trademarks

The Microchip name and logo, the Microchip logo, AnyRate, dsPIC, FlashFlex, flexPWR, Heldo, JukeBlox, KeeLoq, KeeLoq logo, Klear, LANCheck, LINK MD, MediaLB, MOST, MOST logo, MPLAB, OptoLyzer, PIC, PICSTART, PIC32 logo, RightTouch, SpyNIC, SST, SST Logo, SuperFlash and UNI/O are registered trademarks of Microchip Technology Incorporated in the U.S.A. and other countries.

ClockWorks, The Embedded Control Solutions Company, ETHERSYNCH, Hyper Speed Control, HyperLight Load, IntelliMOS, mTouch, Precision Edge, and QUIET-WIRE are registered trademarks of Microchip Technology Incorporated in the U.S.A.

Analog-for-the-Digital Age, Any Capacitor, AnyIn, AnyOut, BodyCom, chipKIT, chipKIT logo, CodeGuard, dsPICDEM, dsPICDEM.net, Dynamic Average Matching, DAM, ECAN, EtherGREEN, In-Circuit Serial Programming, ICSP, Inter-Chip Connectivity, JitterBlocker, KlearNet, KlearNet logo, MiWi, motorBench, MPASM, MPF, MPLAB Certified logo, MPLIB, MPLINK, MultiTRAK, NetDetach, Omniscient Code Generation, PICDEM, PICDEM.net, PICkit, PICtail, PureSilicon, RightTouch logo, REAL ICE, Ripple Blocker, Serial Quad I/O, SQI, SuperSwitcher, SuperSwitcher II, Total Endurance, TSHARC, USBCheck, VariSense, ViewSpan, WiperLock, Wireless DNA, and ZENA are trademarks of Microchip Technology Incorporated in the U.S.A. and other countries.

SQTP is a service mark of Microchip Technology Incorporated in the U.S.A.

Silicon Storage Technology is a registered trademark of Microchip Technology Inc. in other countries.

GestIC is a registered trademarks of Microchip Technology Germany II GmbH & Co. KG, a subsidiary of Microchip Technology Inc., in other countries.

All other trademarks mentioned herein are property of their respective companies.

© 2011-2016, Microchip Technology Incorporated, Printed in the U.S.A., All Rights Reserved.

ISBN: 9781522409144

QUALITY MANAGEMENT SYSTEM
CERTIFIED BY DNV
== ISO/TS 16949 ==

Microchip received ISO/TS-16949:2009 certification for its worldwide headquarters, design and wafer fabrication facilities in Chandler and Tempe, Arizona; Gresham, Oregon and design centers in California and India. The Company's quality system processes and procedures are for its PIC® MCUs and dsPIC® DSCs, KEELoq® code hopping devices, Serial EEPROMs, microperipherals, nonvolatile memory and analog products. In addition, Microchip's quality system for the design and manufacture of development systems is ISO 9001:2000 certified.



Worldwide Sales and Service

AMERICAS

Corporate Office
2355 West Chandler Blvd.
Chandler, AZ 85224-6199
Tel: 480-792-7200
Fax: 480-792-7277
Technical Support:
<http://www.microchip.com/support>
Web Address:
www.microchip.com

Atlanta
Duluth, GA
Tel: 678-957-9614
Fax: 678-957-1455

Austin, TX
Tel: 512-257-3370

Boston
Westborough, MA
Tel: 774-760-0087
Fax: 774-760-0088

Chicago
Itasca, IL
Tel: 630-285-0071
Fax: 630-285-0075

Cleveland
Independence, OH
Tel: 216-447-0464
Fax: 216-447-0643

Dallas
Addison, TX
Tel: 972-818-7423
Fax: 972-818-2924

Detroit
Novi, MI
Tel: 248-848-4000

Houston, TX
Tel: 281-894-5983

Indianapolis
Noblesville, IN
Tel: 317-773-8323
Fax: 317-773-5453

Los Angeles
Mission Viejo, CA
Tel: 949-462-9523
Fax: 949-462-9608

New York, NY
Tel: 631-435-6000

San Jose, CA
Tel: 408-735-9110

Canada - Toronto
Tel: 905-695-1980
Fax: 905-695-2078

ASIA/PACIFIC

Asia Pacific Office
Suites 3707-14, 37th Floor
Tower 6, The Gateway
Harbour City, Kowloon

Hong Kong
Tel: 852-2943-5100
Fax: 852-2401-3431

Australia - Sydney
Tel: 61-2-9868-6733
Fax: 61-2-9868-6755

China - Beijing
Tel: 86-10-8569-7000
Fax: 86-10-8528-2104

China - Chengdu
Tel: 86-28-8665-5511
Fax: 86-28-8665-7889

China - Chongqing
Tel: 86-23-8980-9588
Fax: 86-23-8980-9500

China - Dongguan
Tel: 86-769-8702-9880

China - Guangzhou
Tel: 86-20-8755-8029

China - Hangzhou
Tel: 86-571-8792-8115
Fax: 86-571-8792-8116

China - Hong Kong SAR
Tel: 852-2943-5100
Fax: 852-2401-3431

China - Nanjing
Tel: 86-25-8473-2460
Fax: 86-25-8473-2470

China - Qingdao
Tel: 86-532-8502-7355
Fax: 86-532-8502-7205

China - Shanghai
Tel: 86-21-5407-5533
Fax: 86-21-5407-5066

China - Shenyang
Tel: 86-24-2334-2829
Fax: 86-24-2334-2393

China - Shenzhen
Tel: 86-755-8864-2200
Fax: 86-755-8203-1760

China - Wuhan
Tel: 86-27-5980-5300
Fax: 86-27-5980-5118

China - Xian
Tel: 86-29-8833-7252
Fax: 86-29-8833-7256

ASIA/PACIFIC

China - Xiamen
Tel: 86-592-2388138
Fax: 86-592-2388130

China - Zhuhai
Tel: 86-756-3210040
Fax: 86-756-3210049

India - Bangalore
Tel: 91-80-3090-4444
Fax: 91-80-3090-4123

India - New Delhi
Tel: 91-11-4160-8631
Fax: 91-11-4160-8632

India - Pune
Tel: 91-20-3019-1500

Japan - Osaka
Tel: 81-6-6152-7160
Fax: 81-6-6152-9310

Japan - Tokyo
Tel: 81-3-6880-3770
Fax: 81-3-6880-3771

Korea - Daegu
Tel: 82-53-744-4301
Fax: 82-53-744-4302

Korea - Seoul
Tel: 82-2-554-7200
Fax: 82-2-558-5932 or
82-2-558-5934

Malaysia - Kuala Lumpur
Tel: 60-3-6201-9857
Fax: 60-3-6201-9859

Malaysia - Penang
Tel: 60-4-227-8870
Fax: 60-4-227-4068

Philippines - Manila
Tel: 63-2-634-9065
Fax: 63-2-634-9069

Singapore
Tel: 65-6334-8870
Fax: 65-6334-8850

Taiwan - Hsin Chu
Tel: 886-3-5778-366
Fax: 886-3-5770-955

Taiwan - Kaohsiung
Tel: 886-7-213-7828

Taiwan - Taipei
Tel: 886-2-2508-8600
Fax: 886-2-2508-0102

Thailand - Bangkok
Tel: 66-2-694-1351
Fax: 66-2-694-1350

EUROPE

Austria - Wels
Tel: 43-7242-2244-39
Fax: 43-7242-2244-393

Denmark - Copenhagen
Tel: 45-4450-2828
Fax: 45-4485-2829

France - Paris
Tel: 33-1-69-53-63-20
Fax: 33-1-69-30-90-79

Germany - Dusseldorf
Tel: 49-2129-3766400

Germany - Karlsruhe
Tel: 49-721-625370

Germany - Munich
Tel: 49-89-627-144-0
Fax: 49-89-627-144-44

Italy - Milan
Tel: 39-0331-742611
Fax: 39-0331-466781

Italy - Venice
Tel: 39-049-7625286

Netherlands - Drunen
Tel: 31-416-690399
Fax: 31-416-690340

Poland - Warsaw
Tel: 48-22-3325737

Spain - Madrid
Tel: 34-91-708-08-90
Fax: 34-91-708-08-91

Sweden - Stockholm
Tel: 46-8-5090-4654

UK - Wokingham
Tel: 44-118-921-5800
Fax: 44-118-921-5820

06/23/16