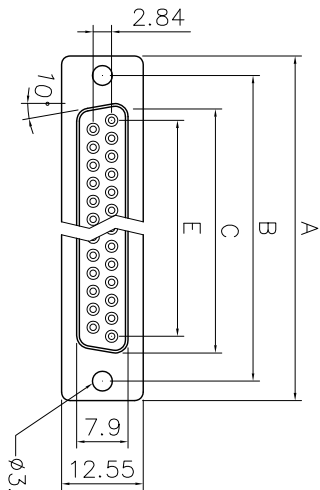
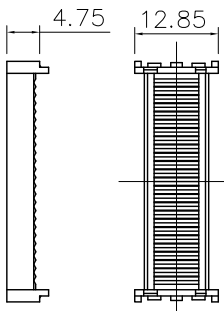


This document is the property of Amphenol Corporation and is delivered on the express condition that it is to be used for the specific equipment or system in which it is intended to be used. It is not to be used for any other purpose without the prior consent, & that no right is granted to disclose or to use any information in this document.

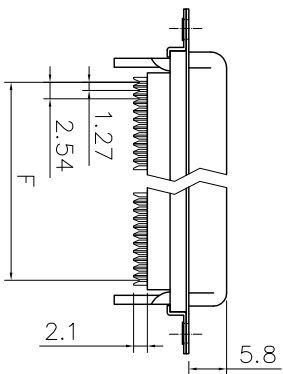
Customer drawing



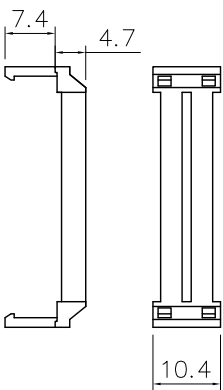
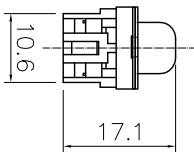
∅3.05 Clear hole



Cover



Without Insulator Support



Strain Relief

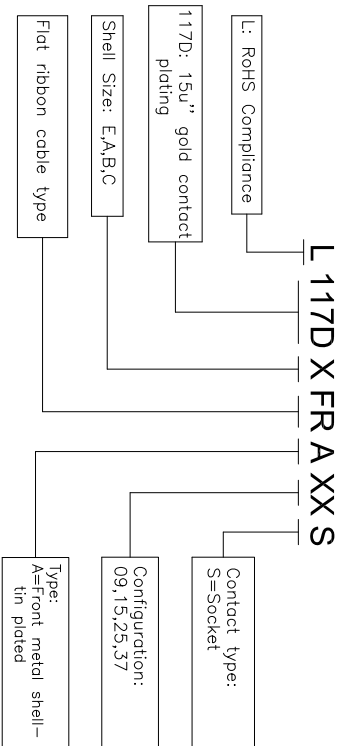
REVISIONS				
S/N	ECN	DESCRIPTION	DATE	APPROVED
1	HK--	First Release Drawing	11/01/08	IP
2	HK--	Updated the drawing	06/24/14	IP

D-SUB TECHNICAL DATA

SHELL : Steel, 100u" Tin over 50u" min nickel over 50u" min Copper
BODY : Glass-Filled Thermoplastic PBT, UL 94V-0
CONTACTS : Copper alloy
 15u" gold over 50u" nickel on mating area
 100u" tin over 50u" nickel on termination area
ELECTRICAL : Voltage rating 250 VAC/Rms 60Hz
 Current Rating 3 AMP
 Withstanding Voltage >1000 VAC Rms
 Insulation resistance >1000 M Ohms
 Contact resistance 20 mOhms max

MARKING : Amphenol...(Series No.)
 Commercial reference
 Manufacturing date

PRODUCT CODE



Positions	A		B		C		E		F											
	9	15	25	37	9	15	25	37	9	15										
	30.81	39.20	53.05	69.40	24.99	33.30	47.04	63.50	16.33	24.70	38.40	54.80	11.08	19.39	33.24	49.86	10.16	17.78	30.48	45.72

UNLESS OTHERWISE SPECIFIED		APPROVAL		DATE	
TOLERANCES	D.S.	APPROVE	DATE	DATE	DATE
.X	0.30	DRWN	06/24/14	06/24/14	
.XX	0.20	CHECKED	06/24/14	06/24/14	
.XXX	0.20	CHECKED			
FRACTIONS +/-	5				
ANGLES +/-					
FOR MATERIALS AND FINISHES					
REMOVE SHARP EDGES					
DIMENSIONS					
D-S					
TENSILE					
MM					
MATERIAL					
DRAWING FILE :					
ANGLE OF PROJECTION					
TITLE					
IDC Flat cable Dsub series					
Amphenol East Asia Limited					
SIZE DRAWING NO					
A4 L117DXFRAXXS					
SCALE NONE					
SHEET 1 OF 1					
REV.					
2					