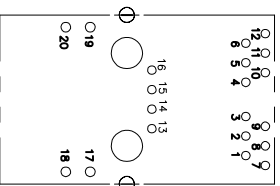
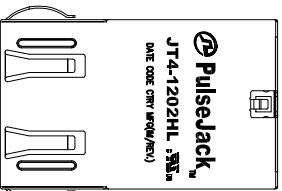
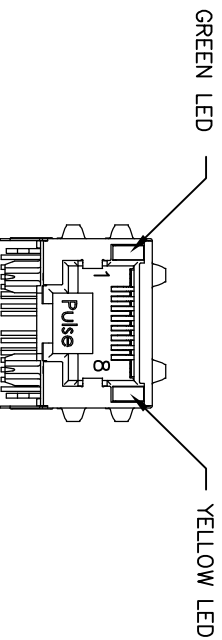


NOTES:

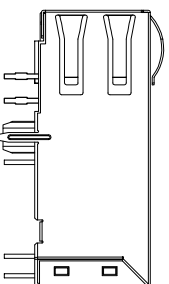
1. ROHS+HF COMPLIANT
2. PLASTIC HOUSING: THERMOPLASTIC MATERIAL WITH FLAMMABILITY RATING UL 94V-0 OR BETTER.
3. CONTACTS PLATING: 50 MICRO-INCH GOLD PLATING.
4. CONTACTS BASE MATERIAL: PHOSPHOR BRONZE
5. UNDER PLATING: 30-50u INCHES NICKEL
6. SOLDER TAIL PLATING : 200-500 UINCHES 100% TIN, MATTE FINISH.
7. METAL SHIELD: NICKEL PLATING ON COPPER ALLOY.
8. JACK CAVITY CONFORMS TO FCC PART 68 SUBPART.
9. PCB PLATING: HASL
10. STORAGE TEMPERATURE: -20°C TO +125°C
11. COMPLIANCE TO J-STD:
 - A. J-STD-002: SOLDERABILITY AT 245°C DIP AND LOOK TEST
 - B. J-STD-020: LEVEL 1, NO MOISTURE SENSITIVE
 - C. J-STD-075: W2, 270°C MAXIMUM THROUGH WAVE SOLDER



SUGGESTED FOOTPRINT
(COMPONENT SIDE SHOWN)



FINAL OUTLINE



© Copyright, 2018. Pulse Electronics Corp. All rights reserved. Pulse confidential & proprietary. (05/18/18)

PRODUCT DESCRIPTION	TLA DRAWING	PS DRAWING	SHEET	PART NO.	DATASHEET REV.
CONN,RJ45,1X1,1GPP,1:1,TY	JT4-1202HL-P2	PS-2615.040-A	1 OF 5	JT4-1202HL	B

ELECTRICAL CHARACTERISTICS AT +25°C UNLESS OTHER SPECIFIED
MEETS IEEE 802.3 SPECIFICATION

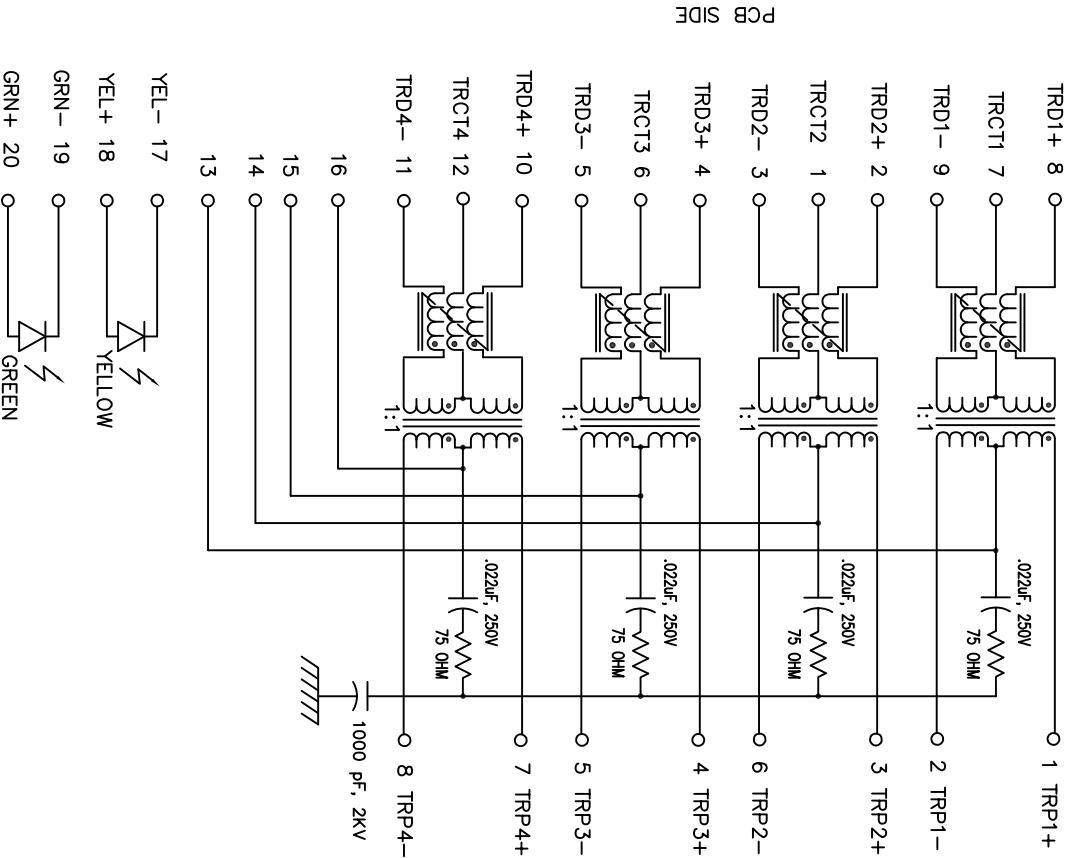
PARAMETER	SPECIFICATIONS
OPERATING TEMPERATURE	0°C TO +70°C
TURNS RATIO	1.00 ± 2%
INSERTION LOSS	100 KHZ -1.2 DB MAX -0.2-0.002*f ^{1.4} DB MAX
RETURN LOSS	.1-40 MHZ -16 DB MIN -10+20*LOG ₁₀ (f/80 MHZ) DB MIN
INDUCTANCE (OCL) @ 100KHZ, 100mVRMS FROM 0°C TO +70°C	MX1, MX2, MX3, MX4 120 uH MIN WITH 24 mA DC BIAS & 350 uH MIN WITH 8 mA DC BIAS
CROSSTALK, ADJACENT CHANNELS	1 MHZ -50 DB MIN 2 MHZ -55+22*LOG ₁₀ (f/10) DB MIN
COMMON MODE REJECTION RATIO	30-200 MHZ
DC RESISTANCE, 1/2 WINDING	-15+20*LOG ₁₀ (f/200) DB MIN
DC RESISTANCE IMBALANCE	.35 OHMS MAX
DC CURRENT/VOLTAGE RATING - PSE PINS	±.050 OHMS MAX (CENTER TAP SYMMETRY)
INPUT - OUTPUT ISOLATION	900 mA MAX @ 57 V (CONTINUOUS) 2250 VDC FOR 60 SECONDS

NOTE: f IS FREQUENCY IN MHZ.

EMMITTED COLOR	GREEN	YELLOW
WAVELENGTH (NM)	565	588
POWER DISSIPATION (Pd)	105 mW MAX	100 mW MAX
DC FORWARD CURRENT	25 mA MAX	30 mA MAX
FORWARD VOLTAGE (VF) @20mA	2.2 V TYP	2.1 V TYP

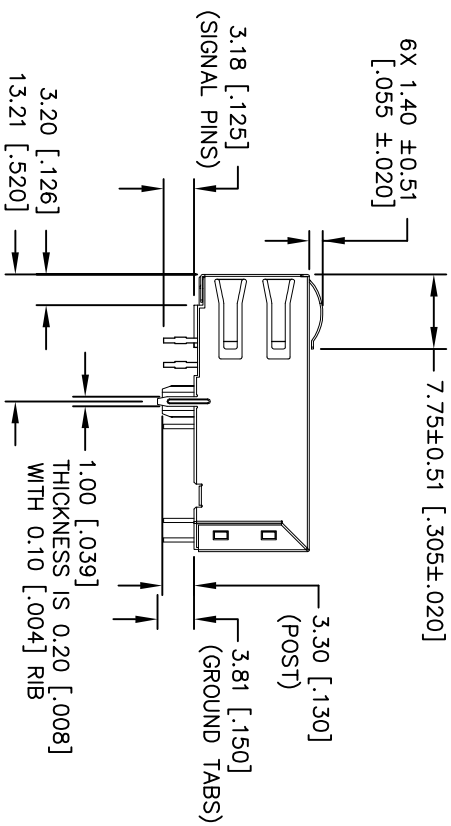
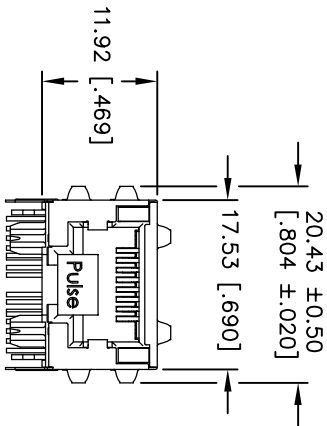
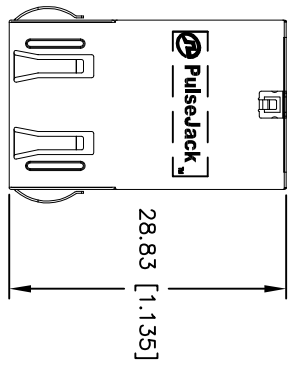
NOTE: PER VENDOR'S SPECIFICATION

SCHEMATIC



© Copyright, 2018. Pulse Electronics Corp. All rights reserved. Pulse confidential & proprietary. (05/18/18)

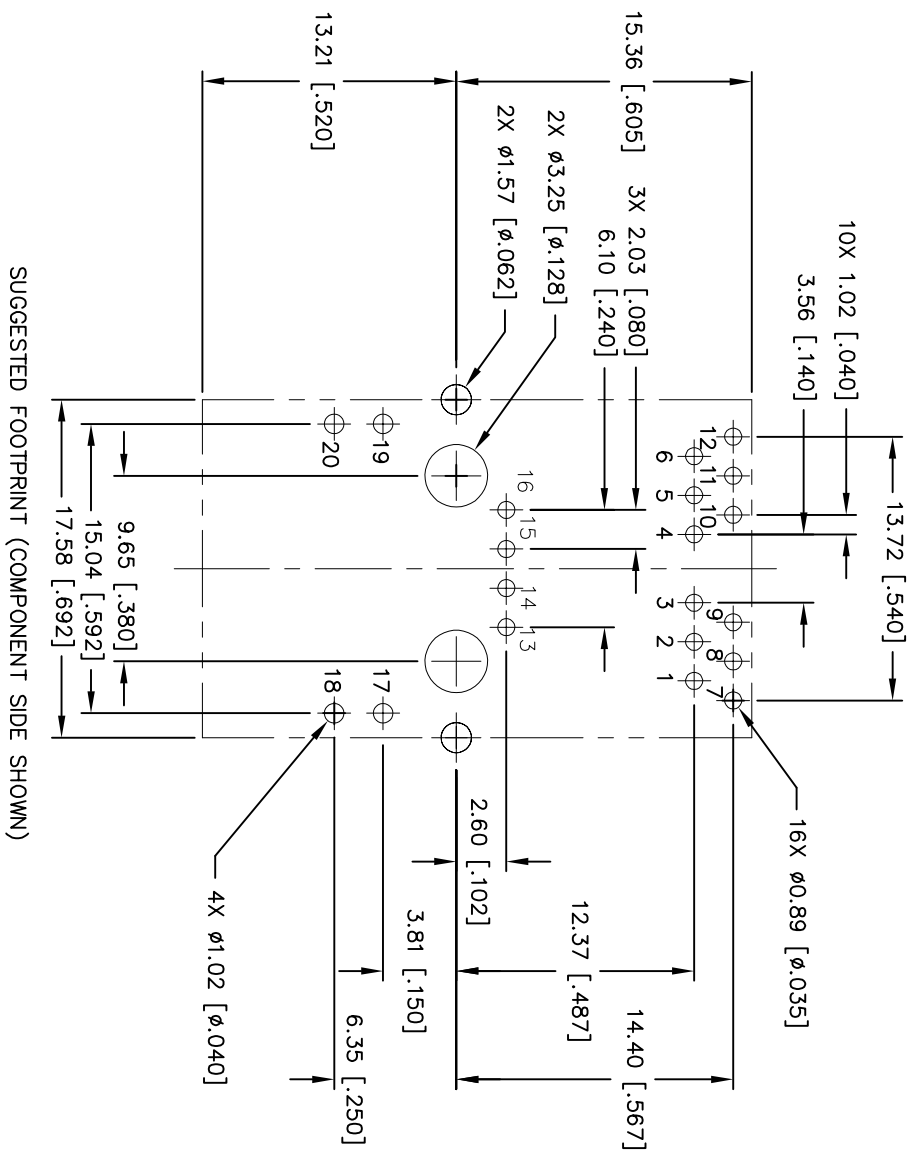
PRODUCT DESCRIPTION	TLA DRAWING	PS DRAWING	SHEET	PART NO.	DATASHEET REV.
CONN,RJ45,1X1,1GPP,1:1,TY	JT4-1202HL-P2	PS-2615.040-A	2 OF 5	JT4-1202HL	B



DIMENSIONS ARE IN MILLIMETERS [INCHES] WITH THE FOLLOWING TOLERANCES: [INCHES] ARE FOR REFERENCE ONLY.
 X.XX [XXX] = ±0.25 [±.010]

© Copyright, 2018, Pulse Electronics Corp. All rights reserved. Pulse confidential & proprietary. (05/18/18)

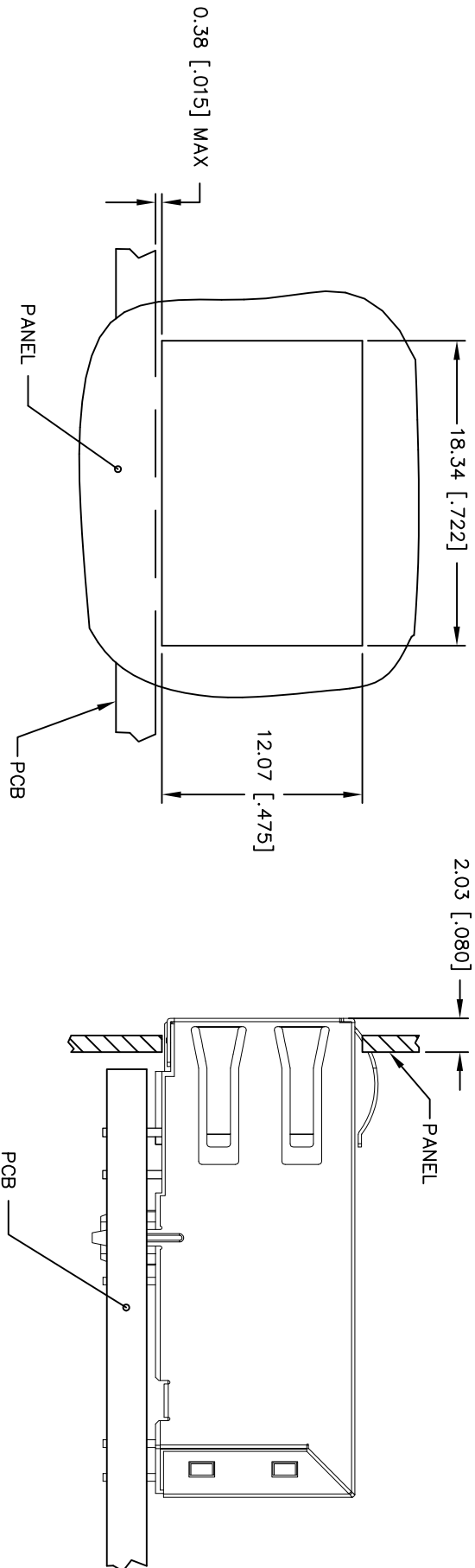
PRODUCT DESCRIPTION	TLA DRAWING	PS DRAWING	SHEET	PART NO.	DATASHEET REV.
CONN,RJ45,1X1,1GPP,1:1,TY	JT4-1202HL-P2	PS-2615.040-A	3 OF 5	JT4-1202HL	B



DIMENSIONS ARE IN MILLIMETERS [INCHES] WITH THE FOLLOWING TOLERANCES: [INCHES] ARE FOR REFERENCE ONLY.
 X.XX [.XXX] = ±0.08 [±.003]

© Copyright, 2018, Pulse Electronics Corp. All rights reserved. Pulse confidential & proprietary. (05/18/18)

PRODUCT DESCRIPTION	TLA DRAWING	PS DRAWING	SHEET	PART NO.	DATASHEET REV.
CONN,RJ45,1X1,1GPP,1:1,TY	JT4-1202HL-P2	PS-2615.040-A	4 OF 5	JT4-1202HL	B



SUGGESTED PANEL CUTOUT

DIMENSIONS ARE IN MILLIMETERS [INCHES] WITH THE FOLLOWING TOLERANCES: [INCHES] ARE FOR REFERENCE ONLY.
 X.XX [.XXX] = ± 0.10 [$\pm .004$]

© Copyright, 2018, Pulse Electronics Corp. All rights reserved. Pulse confidential & proprietary. (05/18/18)

PRODUCT DESCRIPTION	TLA DRAWING	PS DRAWING	SHEET	PART NO.	DATASHEET REV.
CONN,RJ45,1X1,1GPP,1:1,TY	JT4-1202HL-P2	PS-2615.040-A	5 OF 5	JT4-1202HL	B