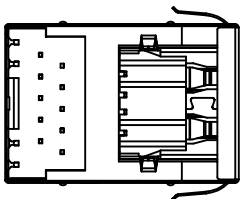
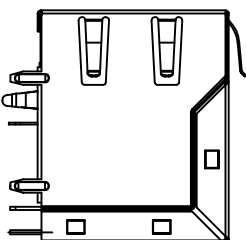
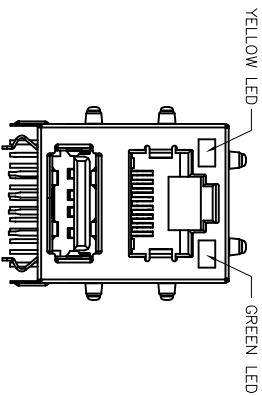
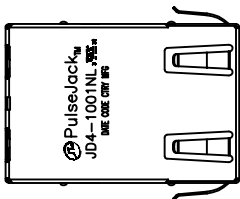


NOTES:

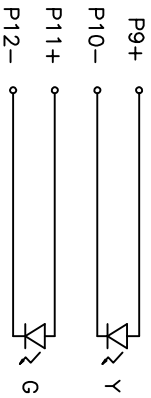
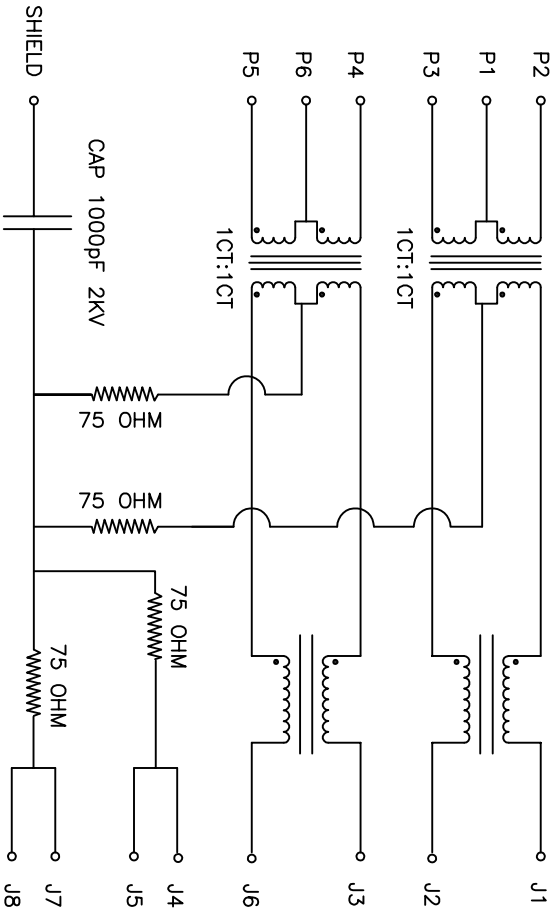
- 1.CONNECTOR MATERIAL:  
HOUSING:THERMOPLASTIC UL94 V-0  
SHIELD:BRASS  
SHIELD PLATING:NICKEL  
CONTACT:COOPER ALLOY
- CONTACT PLATING: SELECTIVE GOLD,6 MICRO-INCHS MIN IN CONTACT AREA
- 2.USB:WHITE PLASTIC; CONTACT AREA WITH 6 MICRO-INCHS GOLD PLATING MIN.
- 3.PIN NOT ELECTRICALLY CONNECTED MAYBE OMITTED SEE ELECTRICAL DRAWING  
FOR OMITTED PINS
- 4.RJ45 CAVITIES CONFORM TO FCC RULES AND REGULATION PART 68.
- 5.THE PART IS RECOMMENDED FOR WAVE SOLDERING PROCESS PEAK SOLDERING  
TEMPERATURE IS 260° C MAX,10 SECS MAX
- 6.OPERATING TEMPERATURE T=0°C TO +70°C.
- 7.STORAGE TEMPERATURE T=-40°C TO +85°C.



FINAL OUTLINE

© Copyright, 2015, Pulse Electronics Corp. All rights reserved. Pulse confidential & proprietary. (12/25/15)

PRODUCT DESCRIPTION	TLA DRAWING	PS DRAWING	SHEET	PART NO.	DATASHEET REV.
CONN,RJ45/USB2.0,100D,1:1,TY	JD4-1001NL-10	PS-XXXX	1 OF 5	JD4-1001NL	A



SCHEMATIC

Electrical Specifications:

- 1.0 Turn Ratio @100KHz:  
(P2~P3):(J1~J2) = 1:1±5%  
(P4~P5):(J3~J6) = 1:1±5%
- 2.0 Primary Inductance:  
350uH MIN @100KHZ,0.1V 8mA DC BIAS
- 3.0 DC Resistance:  
(J1~J2):(J3~J6) 1.2 OHMS MAX
- 4.0 Insertion Loss:  
1-100MHz -1.2dB MAX
- 5.0 Return Loss:  
1-30MHz -16dB MIN  
30-60MHz -12dB MIN  
60-80MHz -10dB MIN
- 6.0 CROSS TALK:  
1-100MHz -30dB MIN
- 7.0 COMMON TO COMMON MODE ATTENUATION:  
1-100MHz -30dB MIN
- 8.0 Isolation: PHY Side to Line Side:  
2250VDC

LED SPECIFICATION:

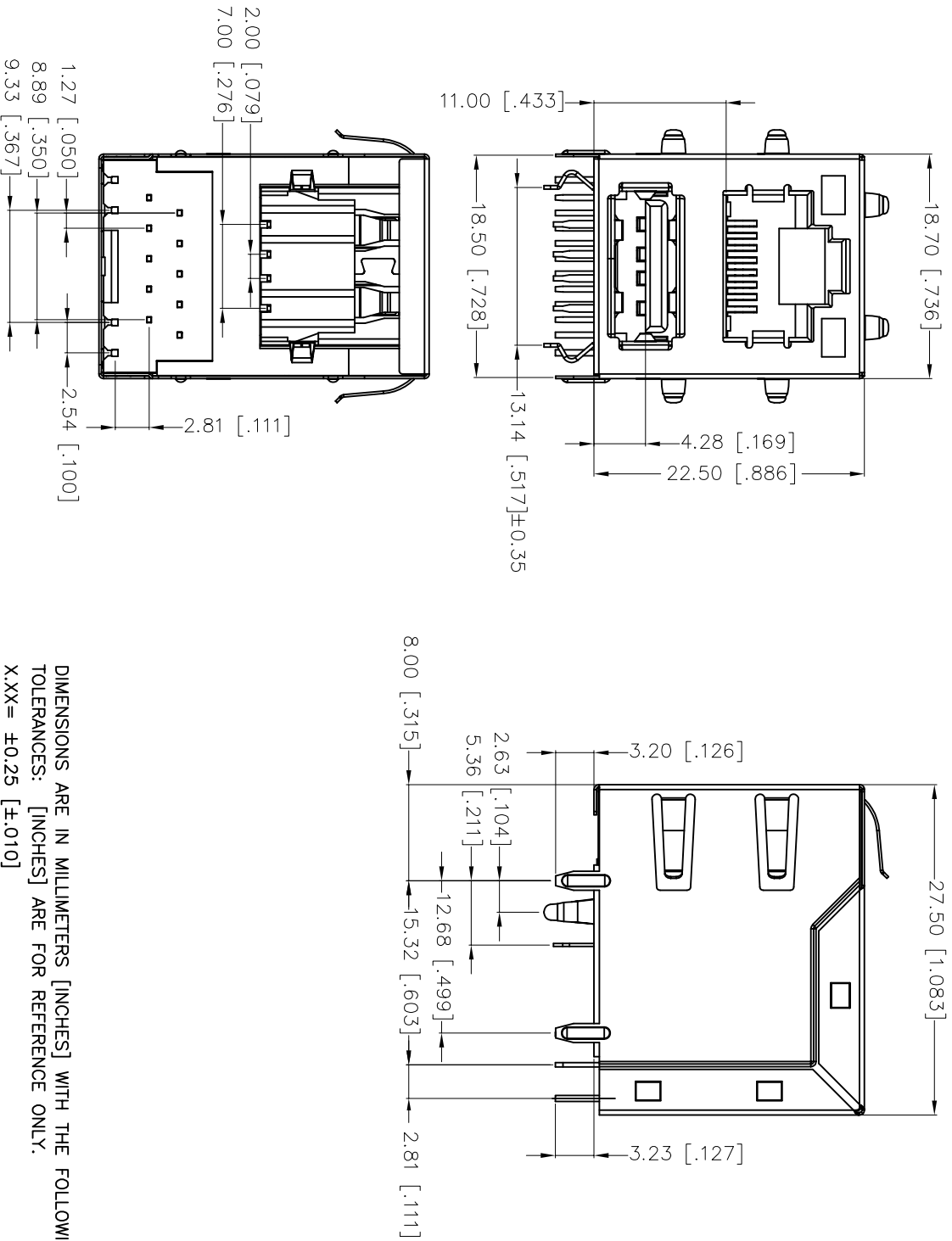
LED SPECIFICATION			
STANDARD LED	WAVELENGTH	Forward V(max)	TYP
GREEN	565nm	2.4V	2.2V
YELLOW	590nm	2.5V	2.1V

\*WITH A FORWARD CURRENT OF 20mA

© Copyright, 2015, Pulse Electronics Corp. All rights reserved. Pulse confidential & proprietary. (12/25/15)

PRODUCT DESCRIPTION	TLA DRAWING	PS DRAWING	SHEET	PART NO.	DATASHEET REV.
CONN,RJ45/USB2.0,100D,1:1,TY	JD4-1001NL-10	PS-XXXX	2 OF 5	JD4-1001NL	A

E-MAIL: PRODINFO@NETWORK@PULSEELECTRONICS.COM(US), ASIA@PULSEELECTRONICS.COM(Asia) PHONE: USA:858 674 8100, GERMANY:49 7032 78060, SINGAPORE:65 6287 8998, SHANGHAI:86 21 62787060, TAIWAN:886 3 4356788

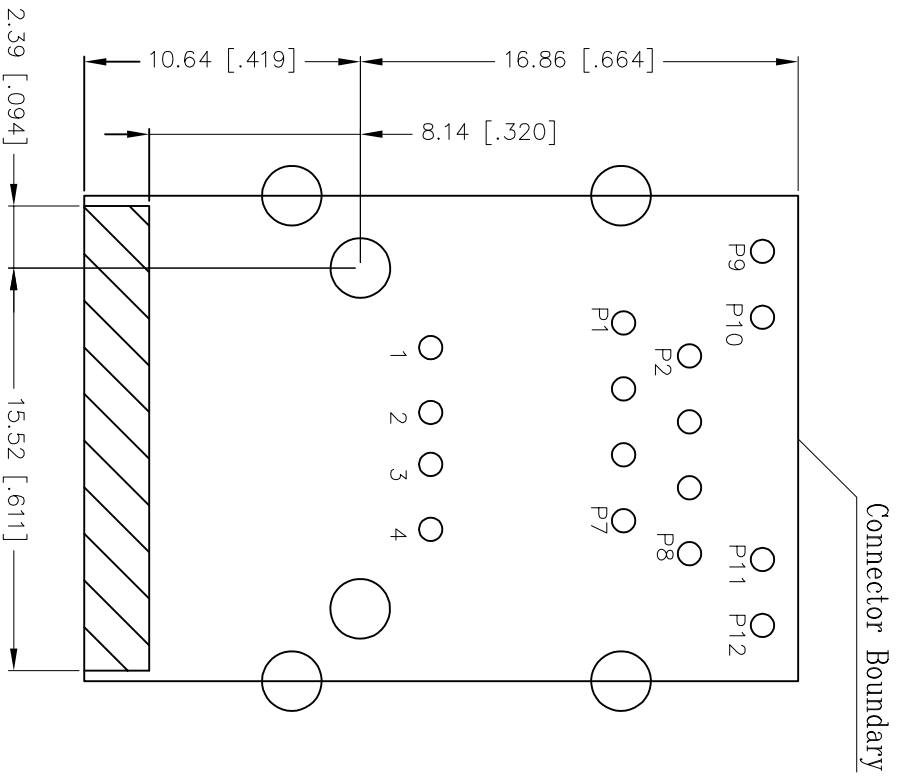


DIMENSIONS ARE IN MILLIMETERS [INCHES] WITH THE FOLLOWING TOLERANCES: [INCHES] ARE FOR REFERENCE ONLY.  
 X.XX = ±0.25 [±.010]

© Copyright, 2015, Pulse Electronics Corp. All rights reserved. Pulse confidential & proprietary. (12/25/15)

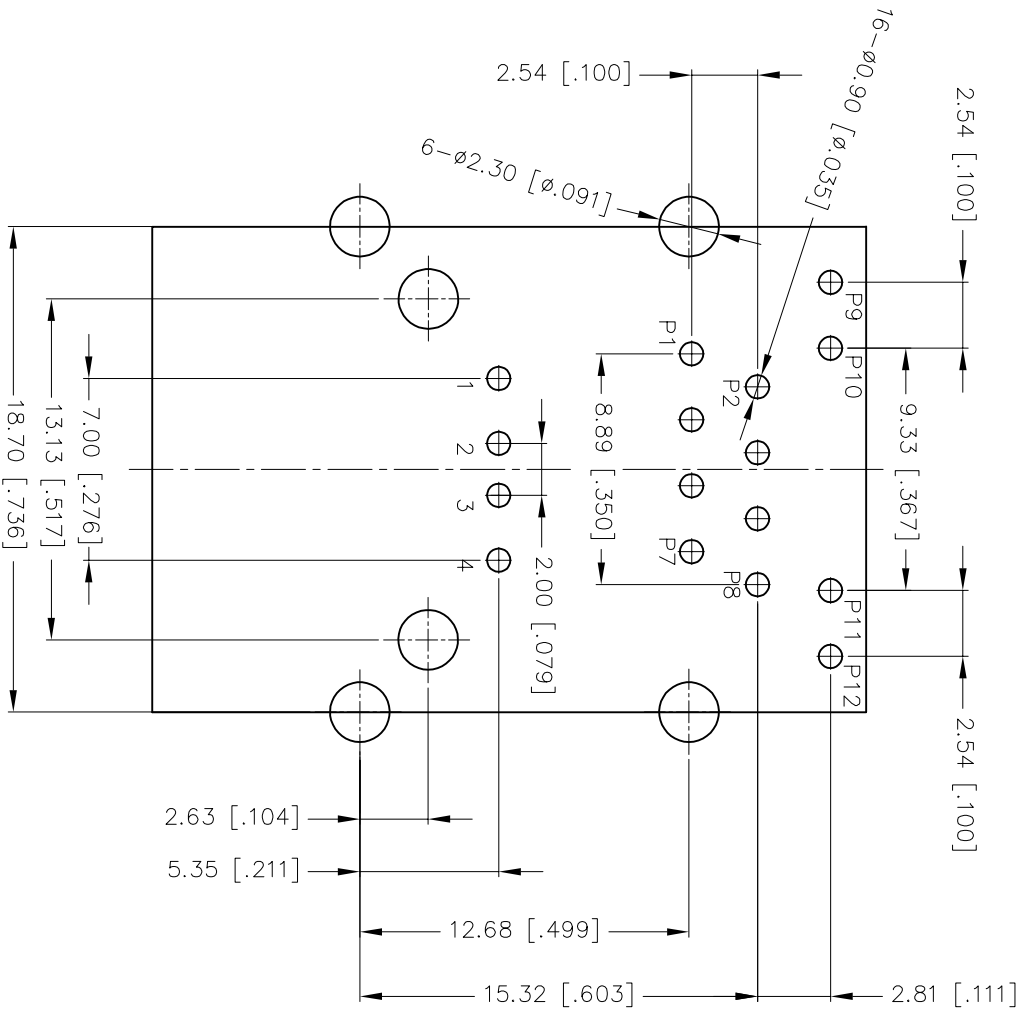
PRODUCT DESCRIPTION	TLA DRAWING	PS DRAWING	SHEET	PART NO.	DATASHEET REV.
CONN,RJ45/USB2.0,100D,1:1,TY	JD4-1001NL-10	PS-XXXX	3 OF 5	JD4-1001NL	A

E-MAIL: PRODINFO@PULSEELECTRONICS.COM(US), ASIA@PULSEELECTRONICS.COM(ASIA) PHONE: USA:858 674 8100, GERMANY:49 7032 78060, SINGAPORE:65 6287 8998, SHANGHAI:86 21 62787060, TAIWAN:886 3 4356768

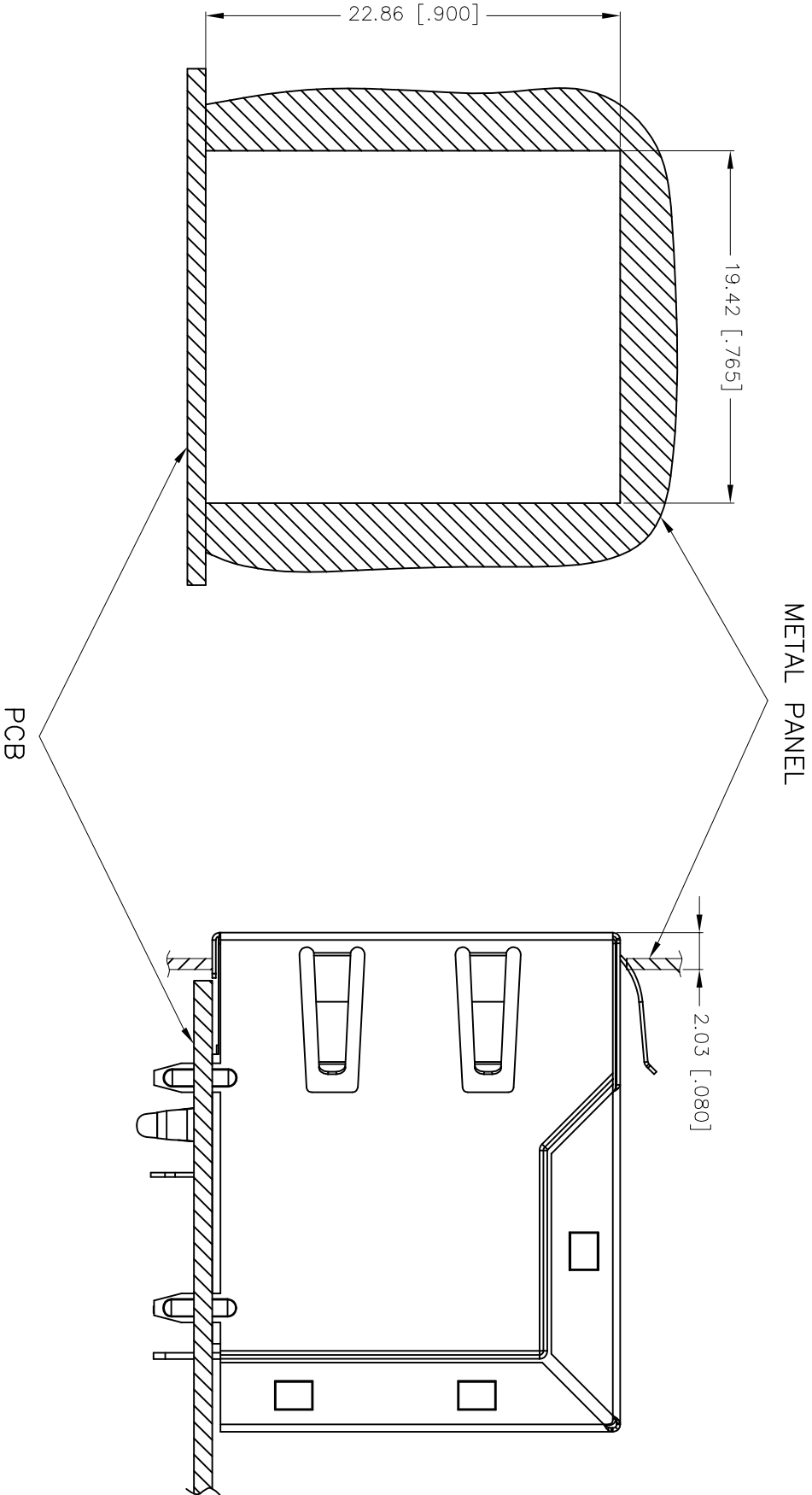


DIMENSIONS ARE IN MILLIMETERS [INCHES] WITH THE FOLLOWING TOLERANCES: [INCHES] ARE FOR REFERENCE ONLY.  
 X.XX = ±0.10 [±.004]

© Copyright, 2015, Pulse Electronics Corp. All rights reserved. Pulse confidential & proprietary. (12/25/15)



PRODUCT DESCRIPTION	TLA DRAWING	PS DRAWING	SHEET	PART NO.	DATASHEET REV.
CONN,RJ45/USB2.0,100D,1:1,TY	JD4-1001NL-10	PS-XXXX	4 OF 5	JD4-1001NL	A



TOLERANCES: [INCHES] ARE FOR REFERENCE ONLY.  
X.XX = ±0.10 [±.004]

© Copyright, 2015, Pulse Electronics Corp. All rights reserved. Pulse confidential & proprietary. (12/25/15)

PRODUCT DESCRIPTION	TLA DRAWING	PS DRAWING	SHEET	PART NO.	DATASHEET REV.
CONN,RJ45/USB2.0,100D,1:1,TY	JD4-1001NL-10	PS-XXXX	5 OF 5	JD4-1001NL	A

E-MAIL: PRODINFONETWORK@PULSEELECTRONICS.COM(US), ASIA@PULSEELECTRONICS.COM(Asia)    PHONE: USA:858 674 8100, GERMANY:49 7032 78060, SINGAPORE:65 6287 8998, SHANGHAI:86 21 62787060, TAIWAN:886 3 4356768