

TIN LEAD PART NUMBER

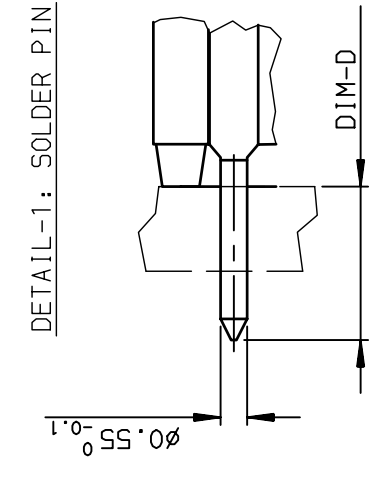
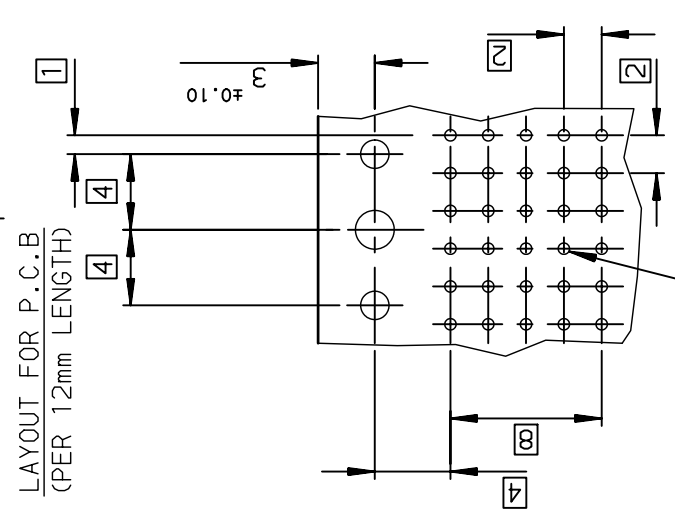
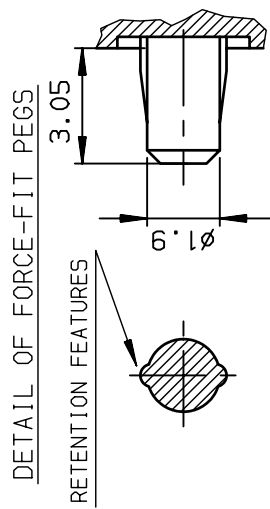
Part Number: HM1L52xyP000Hz

MATING LENGTH DIM-P / REPLACE 'x' BY:				
ROW-A	ROW-B	ROW-C	ROW-D	ROW-E
A = 5.00	5.00	5.00	5.00	5.00
L = 5.75	5.75	5.75	5.75	5.75
D = 6.50	6.50	6.50	6.50	6.50
B = 6.50	5.00	5.00	5.00	5.00
C = 6.50	5.75	5.75	6.50	5.75
TERMINATION LENGTH				
DIM-D D=2.90 ±0.3, replace y by A				
DIM-D D=3.70 ±0.3, replace y by B				

LEAD FREE PART NUMBER

Part Number: HM1L52xyP000HzLF

MATING LENGTH DIM-P / REPLACE 'x' BY:				
ROW-A	ROW-B	ROW-C	ROW-D	ROW-E
A = 5.00	5.00	5.00	5.00	5.00
L = 5.75	5.75	5.75	5.75	5.75
D = 6.50	6.50	6.50	6.50	6.50
B = 6.50	5.00	5.00	5.00	5.00
C = 6.50	5.75	5.75	6.50	5.75
TERMINATION LENGTH				
DIM-D D=2.90 ±0.3, replace y by A				
DIM-D D=3.70 ±0.3, replace y by B				



GENERAL CHARACTERISTICS AND ROHS INFORMATIONS:
SEE PRODUCT SPECIFICATION 65-12-446

NOTE-2: INSERTION IN PCB, HANDLING OR BENCH PRESS
NOTE-3: IF SUFFIX "P" IS ADDED IN P/N PACKAGING IS IN TRAYS BUT CONNECTOR MARKING IS WITHOUT "P"
EXAMPLE: HM1XXXXXXXXXXHP, MARKED HM1XXXXXXXXXXH6
NOTE-4: REAR CENTRAL SUPPORT FOR BETTER ASSY ON PCB



Hole according to product spec 65-12-445 (for press-fit), 65-12-446 (for 5TB)

rev	ecn no	dr	date
B	-	MAS	2000/08/31
C	L505-001	MLE	2005/03/15
D	L506-0095	LGO	2006/07/10
E	L507-0184	MLE	2007/07/24
-	-	-	-
-	-	-	-



METRAL RA HEADER 5 ROW
STANDARD SOLDER 60 WAY

Product family: METRAL

www.fciconnect.com

surface	tolerance std	projection
ISO 1302	ISO 406 ISO 1101	mm
TOLERANCES UNLESS OTHERWISE SPECIFIED		
ANGULAR	LINEAR	size
0.XX' ±2'	0.XXX	A3
Product family: METRAL		
Spec ref -		
ECN L507-0184		
Scale 2.5		

European Views