

PART NUMBER

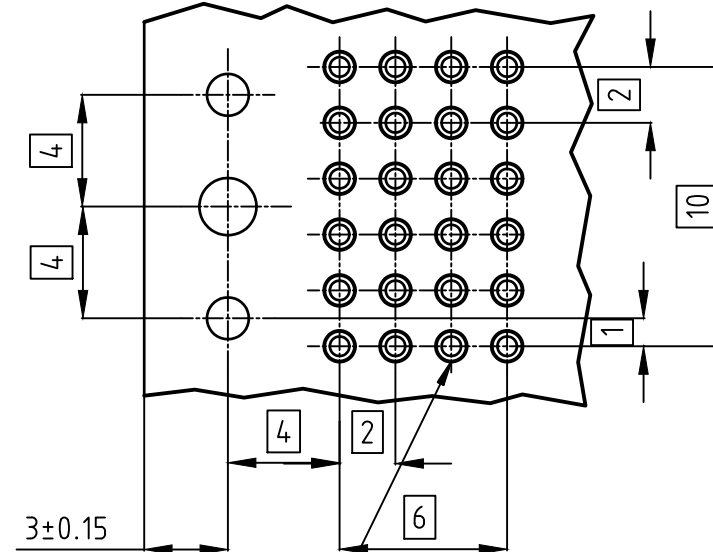
DIM-P ±0.10				P/N AND PERFORMANCE LEVEL		SP N°
ROW-A	ROW-B	ROW-C	ROW-D			
5.00	5.00	5.00	5.00	HM1L41ADP000H	PLF	
5.75	5.75	5.75	5.75	HM1L41LDP000H	PLF	
6.50	6.50	6.50	6.50	HM1L41DDP000H	PLF	
6.50	5.00	5.00	5.00	HM1L41BDP000H	PLF	
6.50	5.75	5.75	6.50	HM1L41CDP000H	PLF	
5.00	5.00	6.50	5.00	HM1L41ZDP110H	PLF	110
5.00	5.75	6.50	5.00	HM1L41ZDP430H	PLF	430
5.00	5.75	5.00	5.00	HM1L41ZDP448H	PLF	448
8.00	8.00	8.00	8.00	HM1L41NDP000H	PLF	
5.00	5.00	5.00	5.00	HM1L41ADP001H	PLF	
5.75	5.00	5.00	5.00	HM1L41ZDP009H	PLF	009
5.75	6.50	5.75	5.00	HM1L41ZDP424H	PLF	424
6.50	5.75	6.50	5.75	HM1L41ZDP037H	PLF	037
6.50	5.75	5.00	5.75	HM1L41ZDP102H	PLF	102
6.50	6.50	6.50	5.75	HM1L41ZDP135H	PLF	135
6.50	8.00	6.50	5.75	HM1L41ZDP329H	PLF	329
6.50	5.75	5.75	5.75	HM1L41ZDP369H	PLF	369

X REFER DRAWING # 10159409

STANDARD MATING LENGTHS = 5.75 (AND 5.00-6.50)

OTHERS INFORMATIONS, SEE DRW 8626-0150-1

RECOMMENDED PCB LAYOUT



Hole according to product spec GS-12-445 (for press-fit), GS-12-446 (for STB)

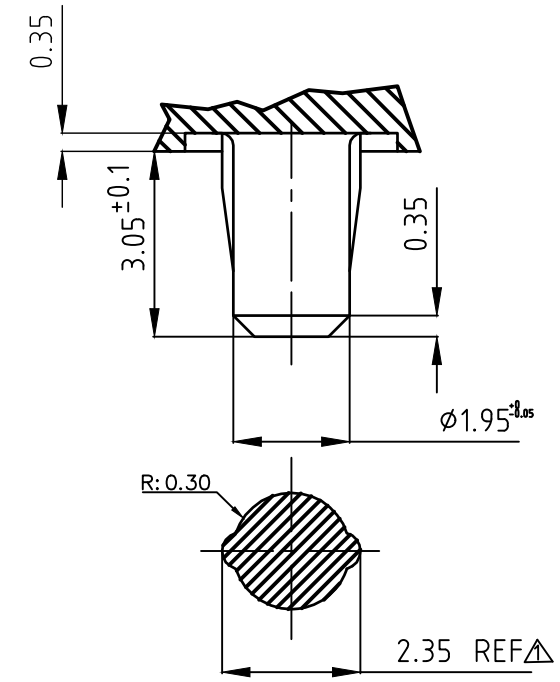
Row	CONTACT CODE MOD					
	1	2	3	4	5	6
D	-	-	-	-	-	-
C	-	-	-	-	-	-
B	-	-	-	-	-	-
A	-	-	-	-	-	-

HM1L41ADP001HXPLF

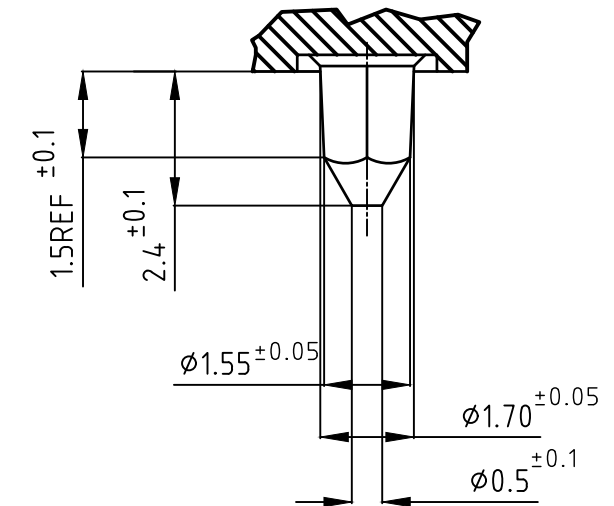
SELECTIVE CONTACT LOADING

NOTE: *-*POSITION LOADED

DETAILS OF CENTRAL PEG SCALE 8/1



DETAIL OF LOCATING PEGS (2x) SCALE 8/1



mat'l. code		NOTE 1		surface	58	tolerance	ISO 1302	ISO 406	ISO 1101	projection	product family		METRAL		
ltr	ecn no	dr	date	angles	linear	tolerances unless otherwise specified	0.X±0.3	0.XX±0.13	0.XXX±0.050	MM	title			METRAL RA HEADER WB	
K	DG10-0231	CENH	2010-06-18							scale	1:1	dwg no		sheet 2 of 2	
L	DG-010291	QINDF	2012-02-14							Amphenol FCI		C-8626-0150		size	A2
M	ELX-I-38656	MINI	2020-10-13	0°±2°						type		Product	Customer	Drawing	
sheet index	revision sheet	M	M												
		1	2												