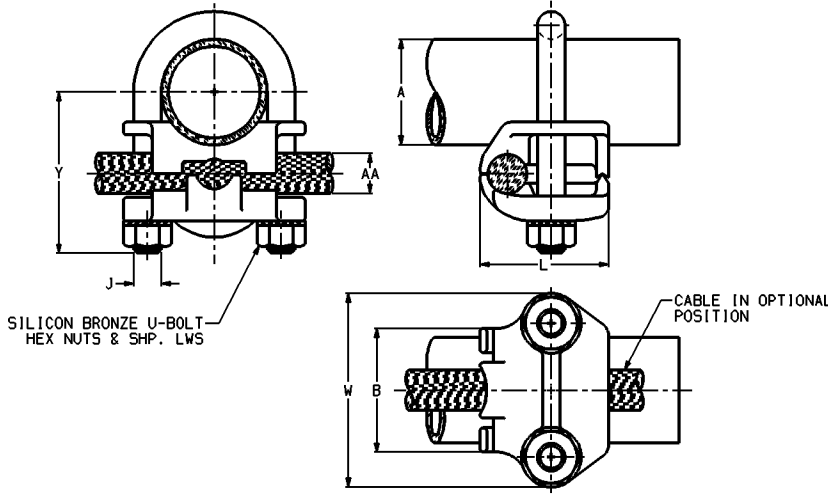


ROD ACCOMMODATED			I.P.S. PIPE ACCOMMODATED			COPPER CONDUCTOR ACCOMMODATED								CAT NO.	B		Y		J		L		W		U" BOLT	TORQUE	
NOMINAL DIAMETER (in)	ACTUAL DIAMETER		NOMINAL DIAMETER (in)	ACTUAL DIAMETER		AWG				METRIC WIRE SIZE					(in)	(mm)	(in)	(mm)	(in)	(mm)	(in)	(mm)	Lb*in	N*m			
	MIN			MAX		MIN		MAX		MIN		MAX															
	SIZE	DIA		SIZE	DIA	SIZE	DIA	SIZE	DIA	SIZE	DIA	SIZE	DIA														
0.5	0.500	[13]	1/4	0.540	[14]	8 sol	0.128	4 str	0.232	10mm² sol	[3.6]	16mm² str	[5.1]	GAR114C	1.50	[38]	1.88	[48]	3/8	[10]	1.31	[33]	1.88	[48]	271	240	27.0
0.5	0.500	[13]	1/4	0.540	[14]	4 sol	0.204	2/0 str	0.419	25mm² str	[6.5]	70mm² str	[10.9]	GAR112B	1.50	[38]	1.88	[48]	3/8	[10]	1.56	[40]	1.88	[48]	271	240	27.0
0.5	0.500	[13]	1/4	0.540	[14]	2/0 sol	0.365	250 kcmil	0.575	70mm² str	[10.9]	120mm² str	[14.4]	GAR1129	1.75	[44]	1.88	[48]	3/8	[10]	1.81	[46]	1.88	[48]	271	240	27.0
0.625 - 0.75	0.625 - 0.75	[16-19]	3/8	0.675	[17]	8 sol	0.128	4 str	0.232	10mm² sol	[3.6]	16mm² str	[5.1]	GAR644C	1.50	[38]	2.06	[52]	3/8	[10]	1.31	[33]	2.06	[52]	269	240	27.0
0.625 - 0.75	0.625 - 0.75	[16-19]	3/8	0.675	[17]	4 sol	0.204	2/0 str	0.419	25mm² str	[6.5]	70mm² str	[10.9]	GAR6426	1.50	[38]	2.06	[52]	3/8	[10]	1.56	[40]	2.06	[52]	269	240	27.0
0.625 - 0.75	0.625 - 0.75	[16-19]	3/8	0.675	[17]	2/0 sol	0.365	250 kcmil	0.575	70mm² str	[10.9]	120mm² str	[14.4]	GAR6429	1.75	[44]	2.06	[52]	3/8	[10]	1.81	[46]	2.06	[52]	269	240	27.0
0.625 - 0.75	0.625 - 0.75	[16-19]	3/8	0.675	[17]	300 kcmil	0.63	500 kcmil	0.813	150mm² str	[16.0]	240mm² str	[20.3]	GAR6434	2.00	[51]	2.56	[65]	1/2	[13]	2.25	[57]	2.44	[62]	254	480	54.1
1.000	1.000	25	1/2-3/4	.840-1.050	[21-27]	8 sol	0.128	4 str	0.232	10mm² sol	[3.6]	16mm² str	[5.1]	GAR144C	1.50	[38]	1.81	[46]	3/8	[10]	1.31	[33]	2.35	[60]	222	240	27.0
1.000	1.000	25	1/2-3/4	.840-1.050	[21-27]	4 sol	0.204	2/0 str	0.419	25mm² str	[6.5]	70mm² str	[10.9]	GAR1426	1.50	[38]	1.81	[46]	3/8	[10]	1.56	[40]	2.38	[60]	249	240	27.0
1.000	1.000	25	1/2-3/4	.840-1.050	[21-27]	2/0 sol	0.365	250 kcmil	0.575	70mm² str	[10.9]	120mm² str	[14.4]	GAR1429	1.75	[44]	2.12	[54]	3/8	[10]	1.81	[46]	2.38	[60]	249	240	27.0
1.000	1.000	25	1/2-3/4	.840-1.050	[21-27]	300 kcmil	0.63	500 kcmil	0.813	150mm² str	[16.0]	240mm² str	[20.3]	GAR1434	2.00	[51]	2.69	[68]	1/2	[13]	2.38	[60]	2.75	[70]	247	480	54.1
1.000	1.000	25	1/2-3/4	.840-1.050	[21-27]	550 kcmil	0.85	750 kcmil	0.998	300mm² str	[22.6]	300mm² str	[22.6]	GAR1439	2.12	[54]	3.44	[87]	1/2	[13]	2.56	[65]	2.75	[70]	360	480	54.1
1.120 - 1.31	1.120 - 1.31	[28-33]	1	1.315	[33]	8 sol	0.128	4 str	0.232	10mm² sol	[3.6]	16mm² str	[5.1]	GAR154C	1.75	[44]	2.31	[59]	3/8	[10]	1.31	[33]	2.62	[67]	244	240	27.0
1.120 - 1.31	1.120 - 1.31	[28-33]	1	1.315	[33]	4 sol	0.204	2/0 str	0.419	25mm² str	[6.5]	70mm² str	[10.9]	GAR1526	1.75	[44]	2.31	[59]	3/8	[10]	1.56	[40]	2.62	[67]	244	240	27.0
1.120 - 1.31	1.120 - 1.31	[28-33]	1	1.315	[33]	2/0 sol	0.365	250 kcmil	0.575	70mm² str	[10.9]	120mm² str	[14.4]	GAR1529	1.75	[44]	2.31	[59]	3/8	[10]	1.81	[46]	2.62	[67]	244	240	27.0
1.120 - 1.31	1.120 - 1.31	[28-33]	1	1.315	[33]	300 kcmil	0.63	500 kcmil	0.813	150mm² str	[16.0]	240mm² str	[20.3]	GAR1534	2.19	[56]	3.31	[84]	1/2	[13]	2.38	[60]	3.00	[76]	311	480	54.1
1.120 - 1.31	1.120 - 1.31	[28-33]	1	1.315	[33]	550 kcmil	0.85	750 kcmil	0.998	300mm² str	[22.6]	300mm² str	[22.6]	GAR1539	2.19	[56]	3.31	[84]	5/8	[13]	2.56	[65]	3.00	[76]	311	660	74.4
1.380 - 1.66	1.380 - 1.66	[35-42]	1 1/4	1.660	[42]	8 sol	0.128	4 str	0.232	10mm² sol	[3.6]	16mm² str	[5.1]	GAR164C	1.88	[48]	2.31	[59]	3/8	[10]	1.31	[33]	3.00	[76]	204	240	27.0
1.380 - 1.66	1.380 - 1.66	[35-42]	1 1/4	1.660	[42]	4 sol	0.204	2/0 str	0.419	25mm² str	[6.5]	70mm² str	[10.9]	GAR1626	1.88	[48]	2.31	[59]	3/8	[10]	1.56	[40]	3.00	[76]	204	240	27.0
1.380 - 1.66	1.380 - 1.66	[35-42]	1 1/4	1.660	[42]	2/0 sol	0.365	250 kcmil	0.575	70mm² str	[10.9]	120mm² str	[14.4]	GAR1629	1.88	[48]	2.31	[59]	3/8	[10]	1.51	[38]	3.00	[76]	204	240	27.0
1.380 - 1.66	1.380 - 1.66	[35-42]	1 1/4	1.660	[42]	300 kcmil	0.63	500 kcmil	0.813	150mm² str	[16.0]	240mm² str	[20.3]	GAR1634	2.19	[56]	3.19	[81]	1/2	[13]	2.38	[60]	3.38	[86]	423	480	54.1
1.380 - 1.66	1.380 - 1.66	[35-42]	1 1/4	1.660	[42]	550 kcmil	0.85	750 kcmil	0.998	300mm² str	[22.6]	300mm² str	[22.6]	GAR1639	2.44	[62]	3.56	[90]	1/2	[13]	2.75	[70]	3.75	[95]	359	480	54.1
1.620 - 1.90	1.620 - 1.90	[41-48]	1 1/2	1.900	[48]	8 sol	0.128	4 str	0.232	10mm² sol	[3.6]	16mm² str	[5.1]	GAR174C	2.31	[59]	2.69	[68]	3/8	[10]	1.31	[33]	3.25	[83]	268	240	27.0
1.620 - 1.90	1.620 - 1.90	[41-48]	1 1/2	1.900	[48]	4 sol	0.204	2/0 str	0.419	25mm² str	[6.5]	70mm² str	[10.9]	GAR1726	2.31	[59]	2.69	[68]	3/8	[10]	1.56	[40]	3.25	[83]	268	240	27.0
1.620 - 1.90	1.620 - 1.90	[41-48]	1 1/2	1.900	[48]	2/0 sol	0.365	250 kcmil	0.575	70mm² str	[10.9]	120mm² str	[14.4]	GAR1729	2.31	[59]	2.69	[68]	3/8	[10]	1.81	[46]	3.25	[83]	268	240	27.0
1.620 - 1.90	1.620 - 1.90	[41-48]	1 1/2	1.900	[48]	300 kcmil	0.63	500 kcmil	0.813	150mm² str	[16.0]	240mm² str	[20.3]	GAR1734	2.50	[64]	3.19	[81]	1/2	[13]	2.38	[60]	3.62	[97]	302	480	54.1
1.620 - 1.90	1.620 - 1.90	[41-48]	1 1/2	1.900	[48]	550 kcmil	0.85	750 kcmil	0.998	300mm² str	[22.6]	300mm² str	[22.6]	GAR1739	2.75	[70]	3.56	[90]	5/8	[16]	2.75	[70]	4.06	[103]	369	660	74.4
2.000 - 2.38	2.000 - 2.38	[51-60]	2	2.375	[60]	8 sol	0.128	4 str	0.232	10mm² sol	[3.6]	16mm² str	[5.1]	GAR184C	2.75	[70]	2.62	[67]	3/8	[10]	1.31	[33]	3.69	[94]	257	240	27.0
2.000 - 2.38	2.000 - 2.38	[51-60]	2	2.375	[60]	4 sol	0.204	2/0 str	0.419	25mm² str	[6.5]	70mm² str	[10.9]	GAR1826	2.75	[70]	2.62	[67]	3/8	[10]	1.56	[40]	3.69	[94]	257	240	27.0
2.000 - 2.38	2.000 - 2.38	[51-60]	2	2.375	[60]	2/0 sol	0.365	250 kcmil	0.575	70mm² str	[10.9]	120mm² str	[14.4]	GAR1829	2.75	[70]	2.62	[67]	3/8	[10]	1.81	[46]	3.69	[94]	310	240	27.0
2.000 - 2.38	2.000 - 2.38	[51-60]	2	2.375	[60]	300 kcmil	0.63	500 kcmil	0.813	150mm² str	[16.0]	240mm² str	[20.3]	GAR1834	2.75	[70]	3.62	[92]	1/2	[13]	2.38	[60]	4.06	[103]	260	480	54.1
2.000 - 2.38	2.000 - 2.38	[51-60]	2	2.375	[60]	550 kcmil	0.85	750 kcmil	0.998	300mm² str	[22.6]	300mm² str	[22.6]	GAR1839	3.00	[76]	3.8	[97]	5/8	[16]	2.75	[70]	4.44	[113]	358	660	74.4
2.500 - 2.88	2.500 - 2.88	[64-73]	2 1/2	2.875	[73]	8 sol	0.128	4 str	0.232	10mm² sol	[3.6]	16mm² str	[5.1]	GAR194C	3.25	[83]	3.19	[81]	3/8	[10]	1.31	[33]	4.19	[106]	266	240	27.0



- NOTES:**
1. MATERIAL: CAST COPPER ALLOY.
 2. FINISH: BRIGHT DIPPED.
 3. UL 467 LISTED FILE NO. E9999, ACCEPTABLE FOR DIRECT BURIAL.
 4. DIMENSIONS IN BRACKETS [] ARE IN MILLIMETERS, ROUNDED OFF TO THE NEAREST MILLIMETER, UNLESS OTHERWISE NOTED, AND ARE FOR REFERENCE ONLY.

GROUND CLAMP			
CAT NO:	GAR - (TABLE)	SCALE:	NONE
DRAWN BY:	11/25/99	CHECKED BY:	GHC 11/30/99
DESIGN APPL.:	G DITTOIA 11/11/99	MFG APPL.:	N/A
S.A. APPL.:	A LLOYD 12/2/99	FIELD APPL.:	E WOOD 11/11/99
3D FILE:	SD15789-SHT01	PH. REF.:	N/A
PROJECT:		MOL. REF.:	N/A
		DRAWING NO. SD15789	
on FCI Company		REV 1 of 3	
U.S. ELECTRICAL DIVISION MANCHESTER, NH 03106			