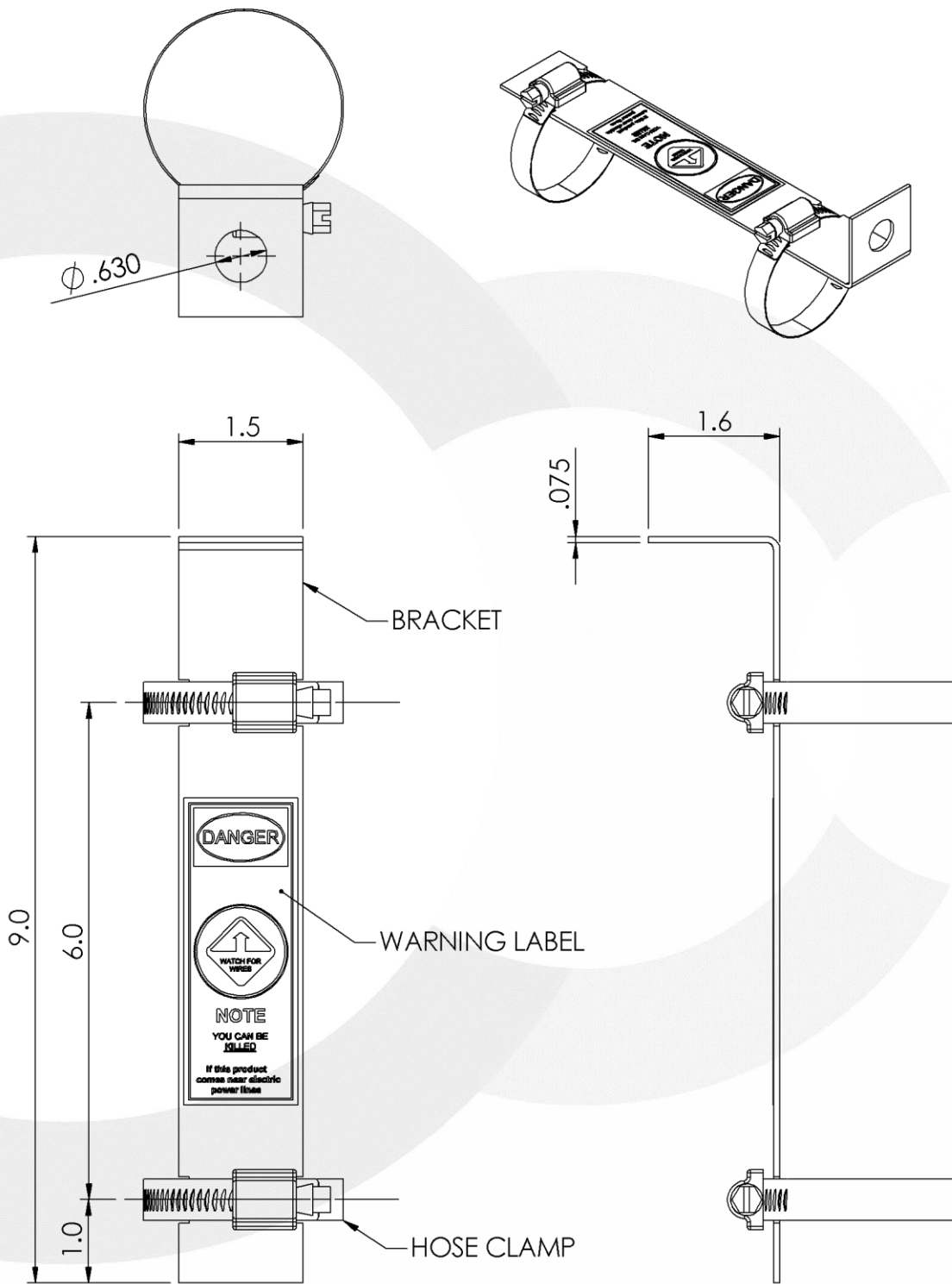


**BRACKET ASSEMBLY  
MOUNTING HARDWARE**

**FB2BRACKET**

Series : ANTENNA



All dimensions are in inches

Issue : 0710

In the effort to improve our products, we reserve the right to make changes judged to be necessary.



**BRACKET ASSEMBLY**  
**MOUNTING HARDWARE**

**FB2BRACKET**

Series : ANTENNA

**MECHANICAL SPECIFICATIONS**

Material :

Bracket : ..... **14 ga. steel, zinc plated**

Hose Clamp : ..... **Stainless steel**

Weight : ..... **195 g**

Overall length : ..... **9.0 INCHES**

Fixing system : ..... **2 ¼ inch hose clamp**

**ENVIRONMENTAL SPECIFICATIONS**

Operating temperature : ..... **-30 to +160 ° F**

**Issue : 0710**

In the effort to improve our products, we reserve the right to make changes judged to be necessary.

