

Specification Data

Job Name	
Type	
Catalog #	
Comments	

PRODUCT OVERVIEW

The DIM10-087-06-A embedded wireless controller opens an exciting integration path for LED Luminaires. The smaller size and lower cost make this DC-powered wireless controller versatile enough to be embedded in nearly any wattage LED Luminaire. Pairing the DIM10-087-06-A with a SimplySnap Site Controller makes it easy to comply with ASHRAE, Title 24, DLC NLC Indoor/Outdoor, and other energy requirements today and in the future.

KEY FEATURES:

- Seamless SimplySnap Integration
- Simplified DC Design — mates with LED Drivers
- Rugged metal enclosure
- Secure AES128 Encryption
- DLC Certification for both Indoor and Outdoor
- Self-healing 2.4GHz SNAP Mesh Networking
- Secure, over-the-air software upgrades
- 2 Sensor Inputs: DC Motion and 0-10V Photocells

IEC 62386 DALI-2 Certified – D4i

- DALI-2 Certified DATA Bus – Part 101
- DALI-2 /D4i Power Monitoring – Part 252
- D4i – Type D – Single-Master Controller – Part 351
- DALI-2 Linear Dimming, ON/OFF – Part 218
- Compatible with WattStopper DALI-2 FDP-301 Motion and Photocell

DIM to OFF LED Drivers

- 0-10V Dimming, ON/OFF
- No Power Monitoring
- Powered via LED Driver Aux Power



Powered by SimplySnap

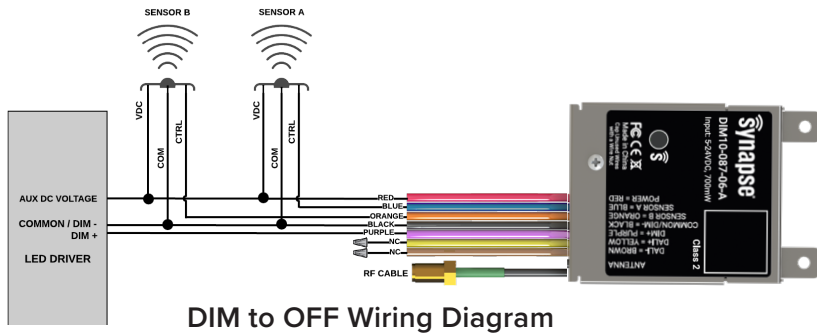
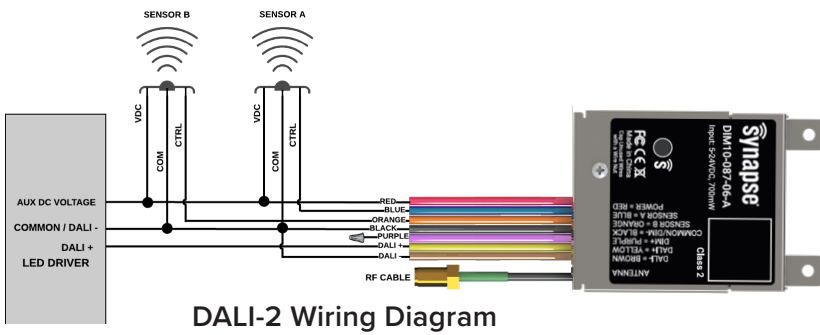
Future DALI-2 Enhancements

- Luminaire Run Time - Part 253
- Luminaire Model Data - Part 251
- LED Driver Model Data – Part 102
- Surge Detection - Part 253
- Over Temperature Counters - Part 253
- Over Current Counters - Part 253
- White Color Tuning
- Diagnostics and Alerts – Part 253

To learn more, call or visit:
synapsewireless.com
(877) 982-7888



WIRING DIAGRAM EXAMPLES



Product #	Description
DIM10-087-06-A	Board in Metal Case with Wires, Antenna Extension Cable (External antenna not included)

SPECIFICATIONS

Dimensions	See Mechanical Datasheet for Engineering dimensions	
Input Power	5 to 24V DC	
Max Current Draw	140mA @ 5V	
IP Rating	IP30	
Temperature	-40°C to +85°C	
Dimming	0-10V, 10 mA (Max)	
DALI-2	Limited to 4 LED Drivers	
Wire Size	20 AWG, 7" Wires, 600V	
Sensor Input Specifications	Analog: 0-10V Digital: 0-24V	2 Available Software Select
Radio	SNAP 2.4GHz ; 802.15.4 +20 dBm Transmit Power -103 dBm Receive Sensitivity	
Certifications	UL Recognized Component; CE; FCC/IC; DLC- Indoor/Outdoor; DiiA - DALI-2 Certification	
Warranty¹	5 Years	

1. See www.synapsewireless.com/warranty for warranty terms

Signal/Wire Colors

Signal	Wire Color
DALI +	YELLOW
DALI -	BROWN
SENSOR INPUT B	ORANGE
SENSOR INPUT A	BLUE
POWER	RED
DIM +	PURPLE
COMMON/DIM -	BLACK

Note: Cap Unused Wires with a Wire Nut!

Antenna Options

Part #	Description
ANT-ORB-1.5-1	Outdoor Fixed Right Angle Antenna, 1.5 dBi gain
ANT-OSB-1.5-1	Outdoor Straight Antenna, 1.5 dBi gain
ANT-ORS-5.1	Stubby Antenna, Outdoor Right Angle
ANT-OSS-5.1	Stubby Antenna, Outdoor Straight

SimplySnap Site Controller options- required for all deployments

Part #	Description	Application
SS450-002	SimplySnap, WiFi, Verizon LTE, Industrial Metal Enclosure	Indoor
CBSSW-450-002	Central Base Station SS450-based Model with 5-button switch and NEMA 4X enclosure	Indoor/Outdoor