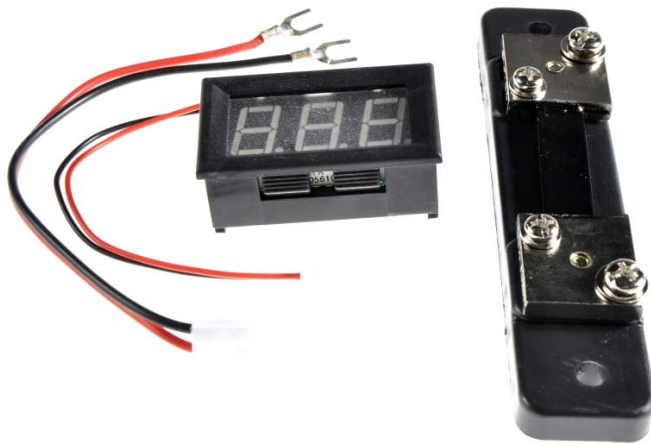


## LED Current Meter 50A(SKU:DFR0245)

From Robot Wiki



### Introduction

#### LED Current Meter 50A

This is a standard LED Current Meter 50A. The biggest feature is that the LED Current Meter has reversed connection protection to prevent from being burnt out. It measures 0-50A with 2% accuracy. Best suitable for current display in the circuit. Just apply four wires without any extra circuit or components, it gives the reading straight away. Easy to use, and good company with robot application. It has three colors to select, green/red.

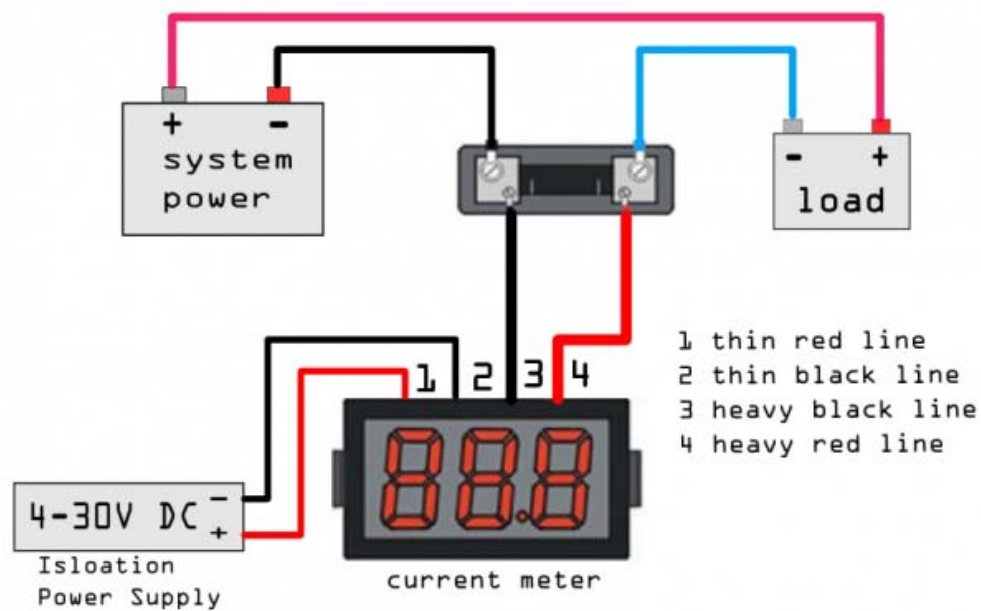
**Warnings:** Please carefully follow the instructions for wiring. The power supply terminal and measurement terminal of this LED Current Meter are used common-ground connect. So, the measurement terminal of current meter must be cascaded after load. It's better that power supply of the current meter is isolated. And before using the current meter, you must connect the shunt firstly for fear that the current meter is burnt out by high voltage.

## Specification

- Measure Current: 0-50A DC
- Power supply voltage: 4-30V DC
- Display mode: 3-bit 0.56 Led digital tube
- Accuracy:2%
- Opening dimension: 45.5mm\*26.5mm
- Dimension: 48mm\*29mm\*21mm
- weight: 23g(current meter)+60g(shunt)

## Connection Diagram

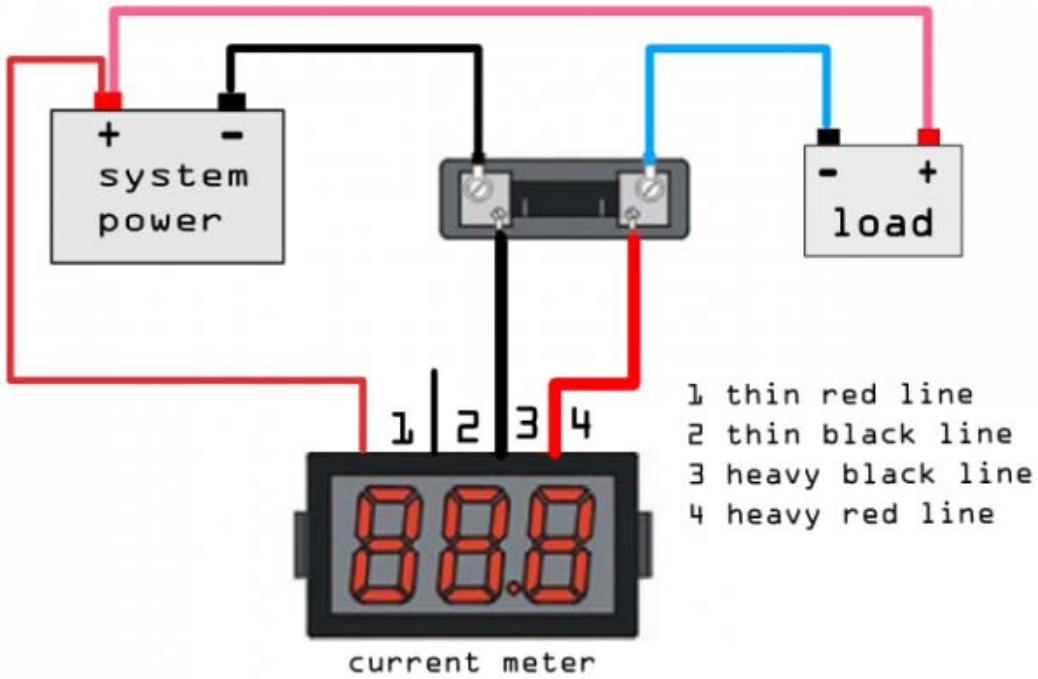
### Connection Diagram 1:



Use Isolation Power Supply  
Connection Diagram

### Connection Diagram 3

Connection Diagram 2:



Power supply of current meter  
from measurement system

Connection Diagram 4

[LED Current Meter 50A\(Green\)\(SKU:DFR0245-G\)](#)

[LED Current Meter 50A\(Red\)\(SKU:DFR0245-R\)](#)