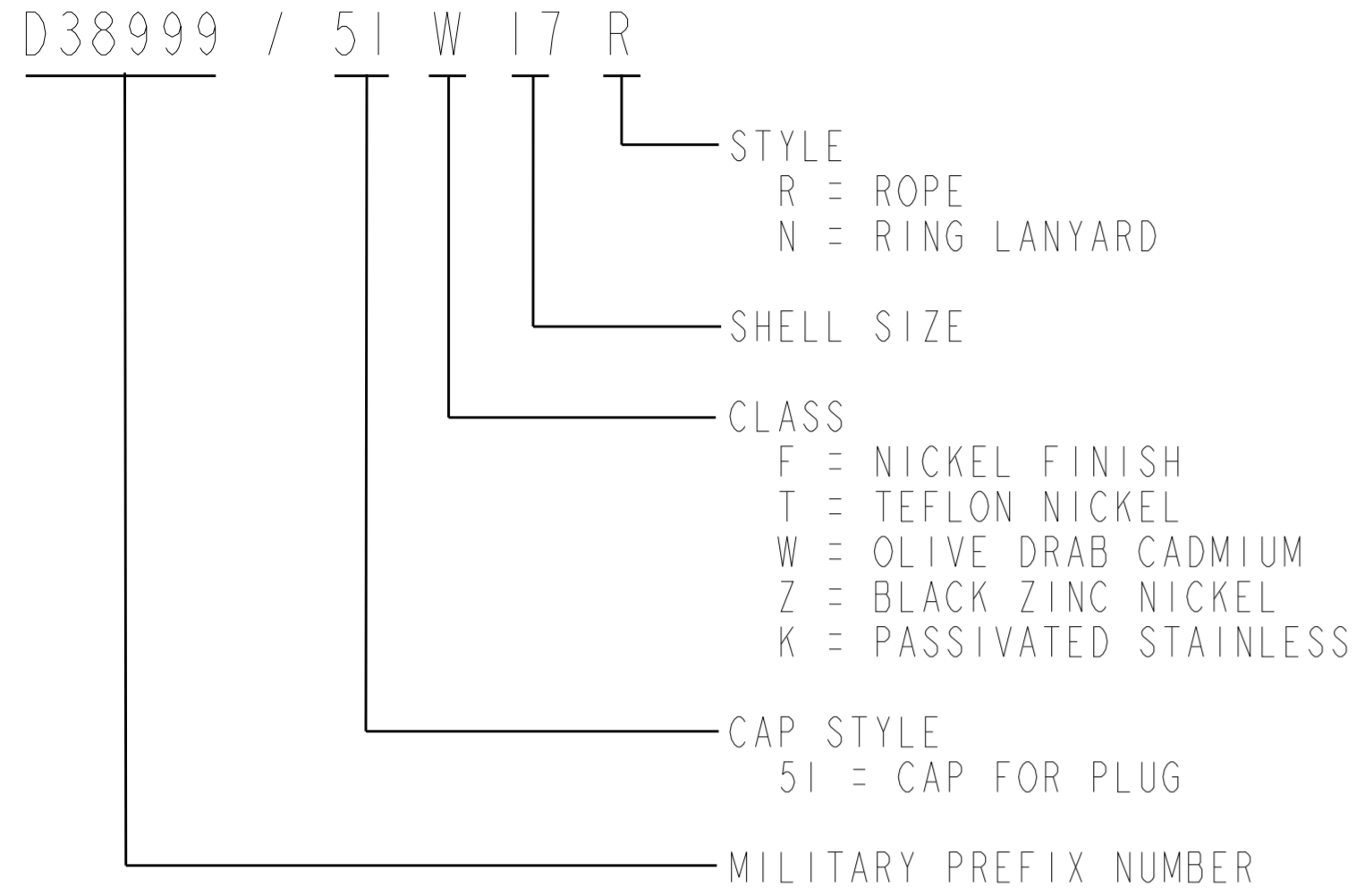


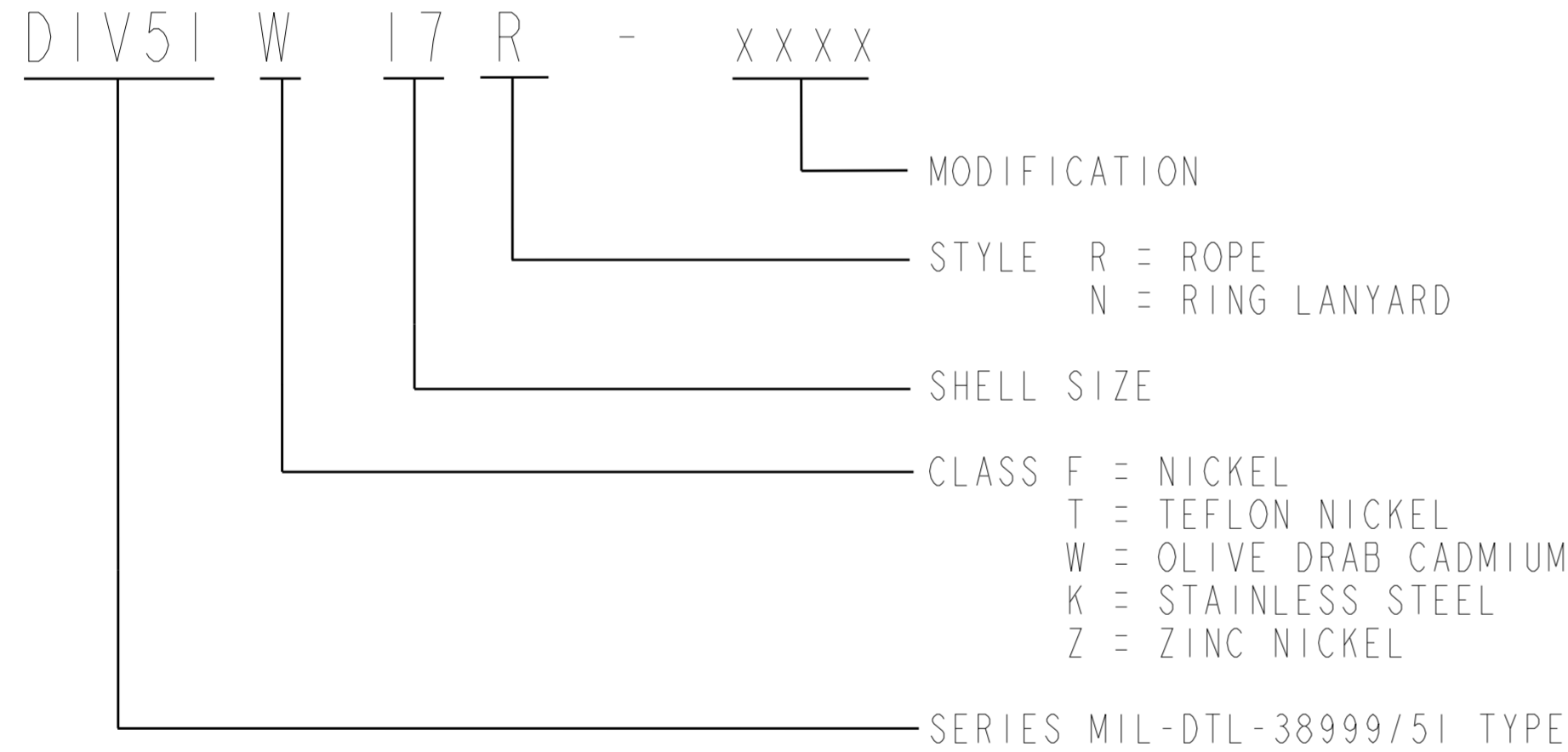
THIS DRAWING IS UNPUBLISHED. RELEASED FOR PUBLICATION
 © COPYRIGHT copyright.d8Te- ALL RIGHTS RESERVED.

T.E. PROPRIETARY AND CONFIDENTIAL
 This drawing contains proprietary information that shall not be disclosed, duplicated nor used in whole or in part for any purpose other than to evaluate this drawing.

REVISIONS				
P	LTR	DESCRIPTION	DATE	APVD
A		AS PER ECO-18-011680	24JULY2018	NGP NR
B		REVISED PER ECO-20-003244	23MAR2020	AM AR



MILITARY PART NUMBER BREAKDOWN



DEUTSCH PART NUMBER BREAKDOWN

PART NUMBER	SHELL SIZE	A DIA MAX	B DIA MAX	C DIA MAX STYLE N	D DIA MIN STYLE N	E REF STYLE N
DIV51x11x	11	.497	1.023	1.260	.865	.797
DIV51x13x	13	.622	1.220	1.456	.989	.797
DIV51x15x	15	.747	1.299	1.574	1.178	.875
DIV51x17x	17	.873	1.456	1.732	1.260	.997
DIV51x19x	19	.997	1.574	1.811	1.428	1.083
DIV51x21x	21	1.122	1.732	1.929	1.506	1.093
DIV51x23x	23	1.247	1.811	2.126	1.678	1.250
DIV51x25x	25	1.372	1.968	2.204	1.750	1.280

3. GENERAL SPECIFICATIONS: THIS COVER MEETS THE PERFORMANCE AND INTERMATEABILITY REQUIREMENTS OF MIL-DTL-38999

2 MATERIAL/FINISH: CAP - ALUMINUM ALLOY OR STAINLESS STEEL, PLATING PER PART NUMBER EXAMPLE DESCRIPTION
 RING AND FASTENERS - STAINLESS STEEL, PASSIVATED
 ROPE - INSULATED STAINLESS STEEL, PASSIVATED
 POTTING - RTV SILICONE

1. ALL DIMENSIONS ARE IN INCHES.

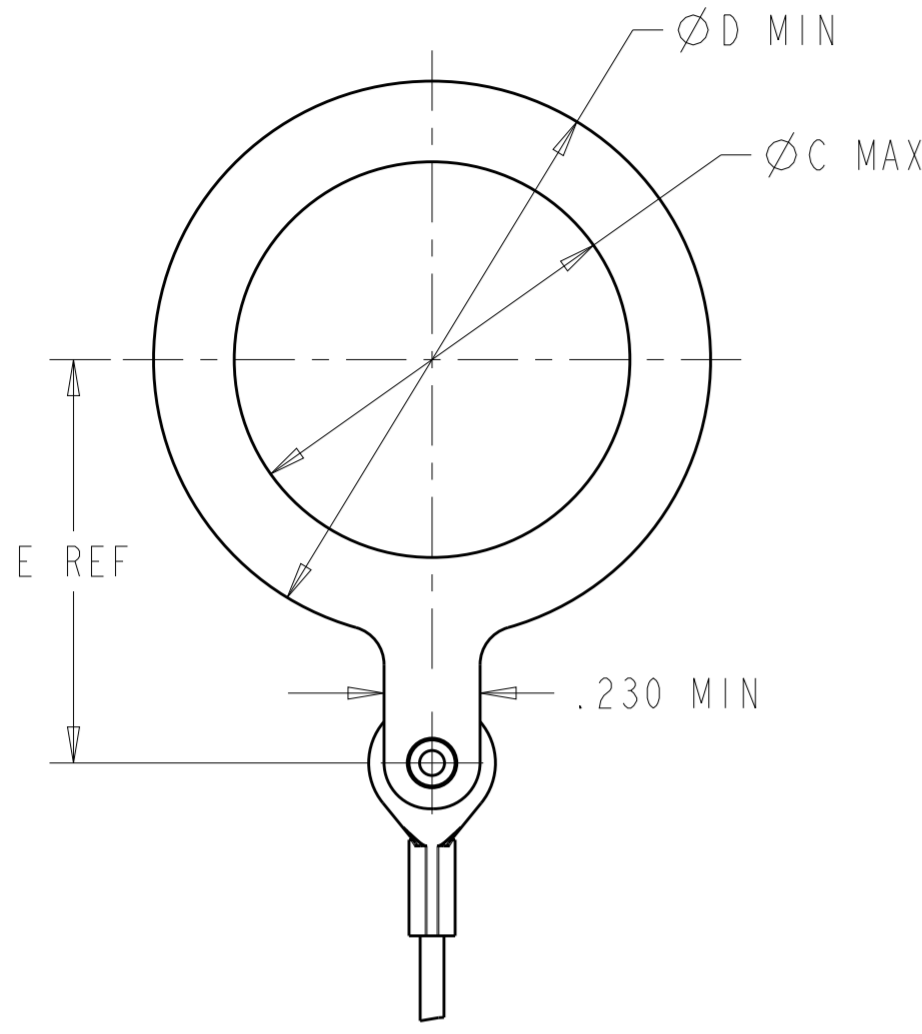
MC: 61 FINISH: xx=DPS #1 APPLIES
 DESCRIPTION: SERIES IV, COVER, PLUG PROTECTOR MIL-DTL-38999/51 TYPE
 CAGE CODE: 11139

THIS DRAWING IS A CONTROLLED DOCUMENT.		DWN M. ALLEN 20160303	TE Connectivity	
DIMENSIONS: INCH		CHK -		
TOLERANCES UNLESS OTHERWISE SPECIFIED:		APVD A. RENGIFO 20160303	NAME PLUG, PROTECTIVE COVER MIL-DTL-38999/51 TYPE SERIES IV, ENVELOPE DRAWING	
0 PLC ±.100 1 PLC ±.010 2 PLC ±.005 3 PLC ±.0005 4 PLC ANGLES ±0.5		PRODUCT SPEC	SIZE A2	
MATERIAL		APPLICATION SPEC	CAGE CODE 11139	DRAWING NO G-DIV51XXXX
FINISH		WEIGHT	RESTRICTED TO	
2		CUSTOMER DRAWING		SCALE 2.500 SHEET 1 OF 2 REV B

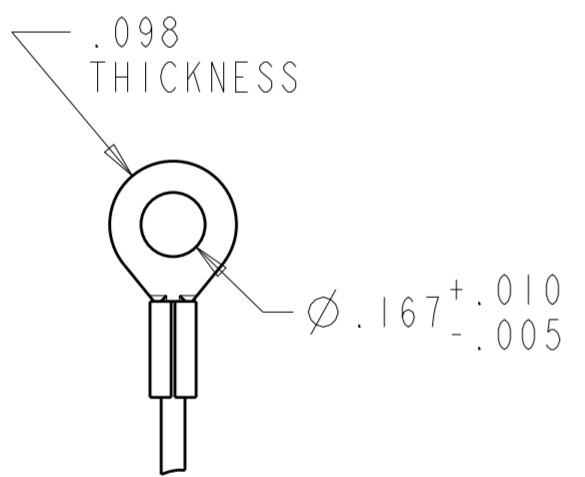
THIS DRAWING IS UNPUBLISHED. RELEASED FOR PUBLICATION
 © COPYRIGHT ALL RIGHTS RESERVED.

T.E. PROPRIETARY AND CONFIDENTIAL
 This drawing contains proprietary information that shall not be disclosed, duplicated nor used in whole or in part for any purpose other than to evaluate this drawing.

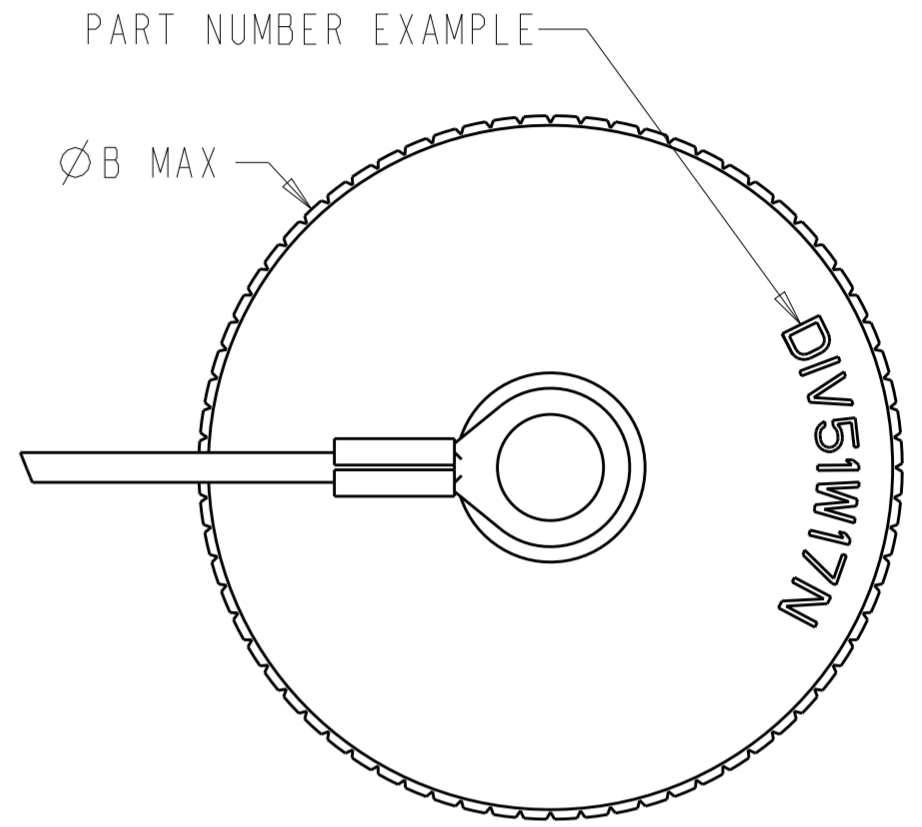
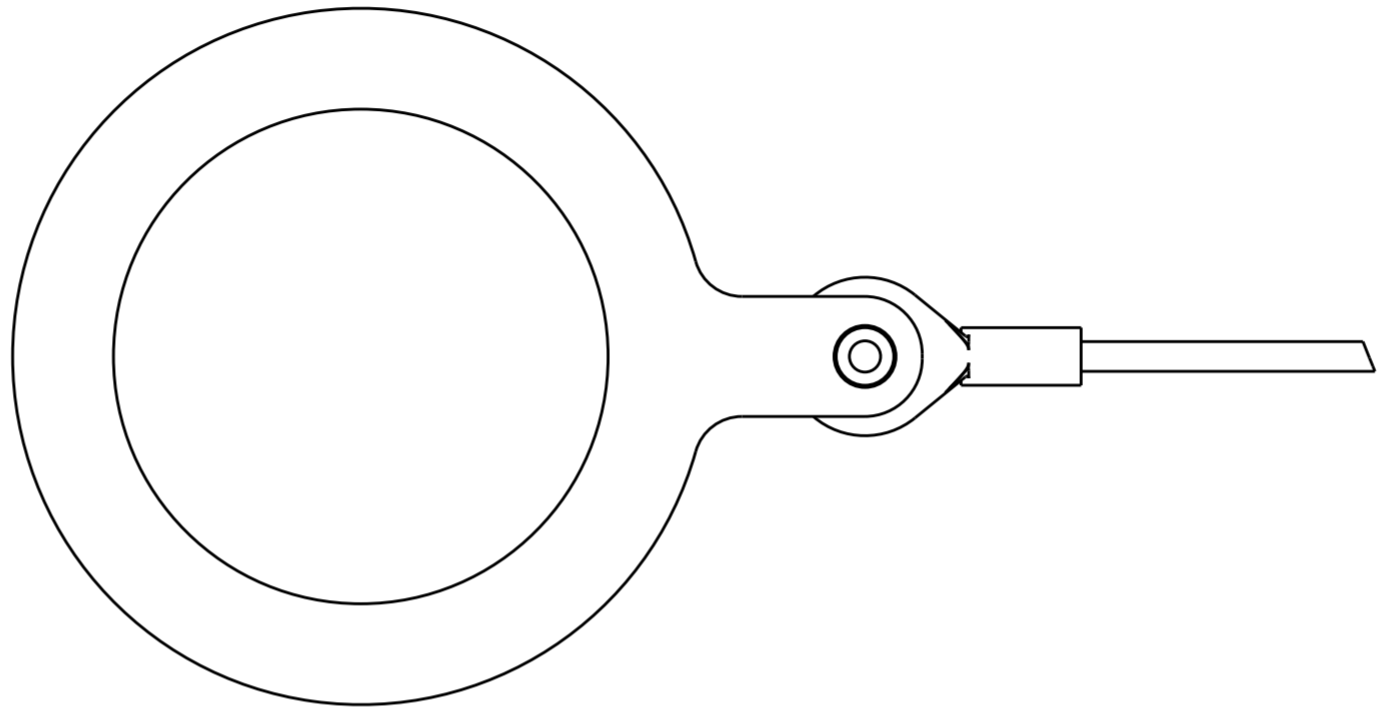
REVISIONS				
P	LTR	DESCRIPTION	DATE	APVD
-		SEE SHEET 1	-	-



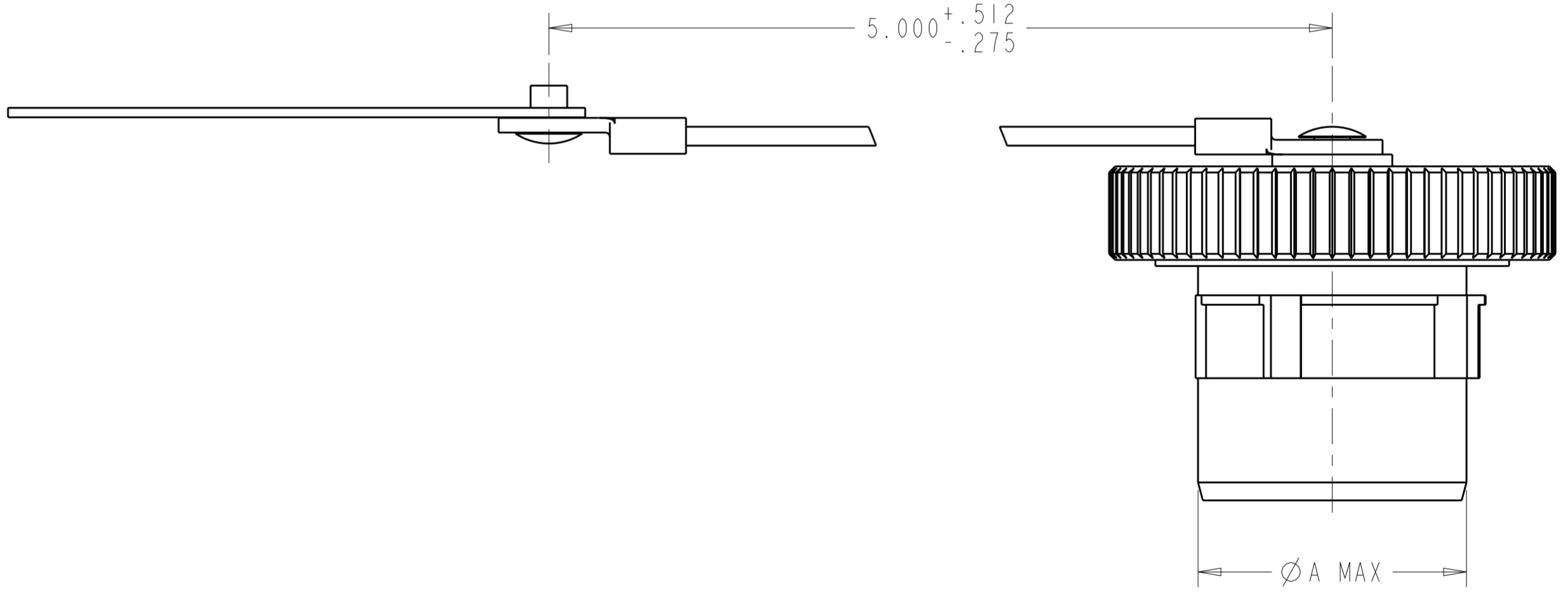
STYLE N



STYLE R



PART NUMBER EXAMPLE



THIS DRAWING IS A CONTROLLED DOCUMENT.		DWN CHK	SEE SHEET 1	TE Connectivity	
DIMENSIONS: INCH		APVD			
TOLERANCES UNLESS OTHERWISE SPECIFIED: 0 PLC ± 1 PLC ±.100 2 PLC ±.010 3 PLC ±.005 4 PLC ±.0005 ANGLES ±0.5 FINISH		PRODUCT SPEC		SIZE	A2
MATERIAL		APPLICATION SPEC		CAGE CODE	G-DIV51xxxx
		WEIGHT		DRAWING NO	
		CUSTOMER DRAWING		RESTRICTED TO	-
		SCALE	2.500	SHEET	2 OF 2
				REV	B