

# Medium Insulated Alligator Clip With DIY Solder Connection

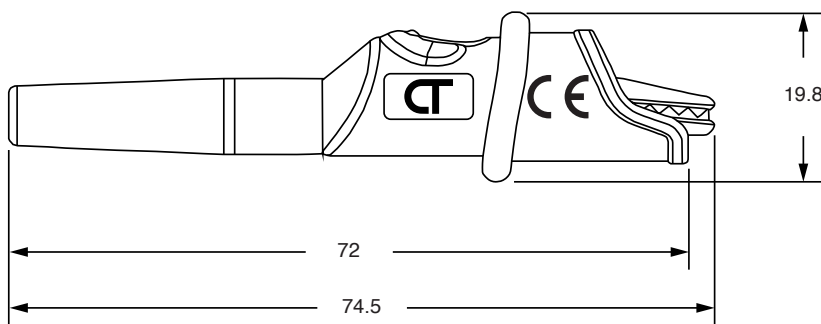
**CT4433-#**



## Features:

- IEC 61010-031 rated to 1,000 V CAT III / 600 V CAT IV
- 10 A Max
- Jaw opens to 8.5 mm
- Three-incisor mouth to ensure grip on screw heads.
- Build your own test lead
- Fits up to 13 AWG wires
- CE listed
- RoHS 2 Compliant

## Mechanical Drawing: *Dimensions in mm, not to scale*



## Description:

The CT4433 is rated to 1,000 V CAT III / 600 V CAT IV<sup>a</sup> and 10 A max.

The clip comes with a solder slot for connections to test lead wire up to 13 AWG. This clip accommodates conductors up to 7 mm in diameter. Once in place, the spring loaded, three-incisor mouth will hold securely to screw heads or flat headed objects.

The CT4433 is available in black or red. The CT4434 includes both colors.

*a. Must be used in conjunction with other similarly rated products.*

Specifications and appearance subject to change without notice  
D443300 110320

1 - [www.caltestelectronics.com](http://www.caltestelectronics.com)

**Cal Test**  
ELECTRONICS

## Order Information:

### CT4433-#

Medium Insulated Alligator Clip With DIY Solder Connection

- Color - replace '-#' with dash number:  
-0 Black, -2 Red

### CT4434

Medium Insulated Alligator Clip With DIY Solder Connection,  
B/R pair

## Contact Info:

Toll Free: 800-572-1028 (US Only)

Phone: 714-221-9330

Fax: 714-921-9849

22820 Savi Ranch Parkway

Yorba Linda, CA 92887-4610 USA

[www.caltestelectronics.com](http://www.caltestelectronics.com)



CE

Copyright © 2020, Cal Test Electronics, Inc. All rights reserved. Information in this publication supersedes that in all previously published material. Trade names referenced are the service marks, trademarks or registered trademarks of their respective companies.

Specifications and appearance subject to change without notice  
D443300 110320

2 - [www.caltestelectronics.com](http://www.caltestelectronics.com)

**Cal Test**  
**ELECTRONICS**