

High Current Test Leads, 60A, 200cm w/ Spade Lugs

CT4043-200



Features:

- Current rating: 60 A Max
- Molded housing material: PVC
- Lead wire: Silicone jacket over 8 AWG, 19/0.12mm tinned annealed copper
- Spade connector: Tinned copper, 8.4 mm opening, 1.8 mm thick
- UL 94 V-2 rated, flame retardant, mesh braided sleeve
- RoHS 2 compliant

Description:

The CT4043-200 is a High Current Assembly for power supplies, loads, or battery analyzer test connections. On each end there are heavy duty spade connectors with 8 mm openings to lock tight onto your binding posts or terminals. The test leads are capable of carrying up to 60 A through their 2 meter length.



Keeping the black and red leads bound together is a flame retardant mesh sleeve. On both sides of the sleeve there is at least 10 cm of unbound black and red cable giving you freedom from even the most awkward connections.

The CT4043-200 is made of highly flexible silicone jacketed lead wires. The conductors are 19 strands of copper wire contributing to the very flexible and supple feel.

Specifications and appearance subject to change without notice
D404300 060120

1 - www.caltestelectronics.com

Cal Test
ELECTRONICS

Order Information:

CT4043-200

High Current Test Leads, 60A, 200cm w/ Spade Lugs

Contact Info:

Toll Free: 800-572-1028 (US Only)

Phone: 714-221-9330

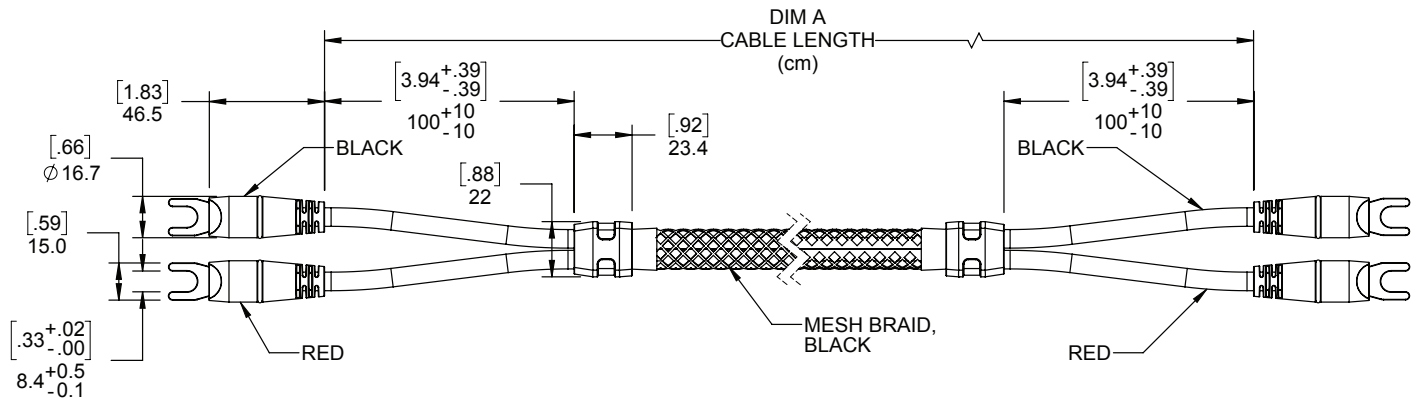
Fax: 714-921-9849

22820 Savi Ranch Parkway

Yorba Linda, CA 92887-4610 USA

www.caltestelectronics.com

Measurement Drawing: (dimensions in mm [inches], not to scale)



CE

Copyright © 2020, Cal Test Electronics, Inc. All rights reserved. Information in this publication supersedes that in all previously published material. Trade names referenced are the service marks, trademarks or registered trademarks of their respective companies.

Specifications and appearance subject to change without notice
D404300 060120

2 - www.caltestelectronics.com

Cal Test
ELECTRONICS